

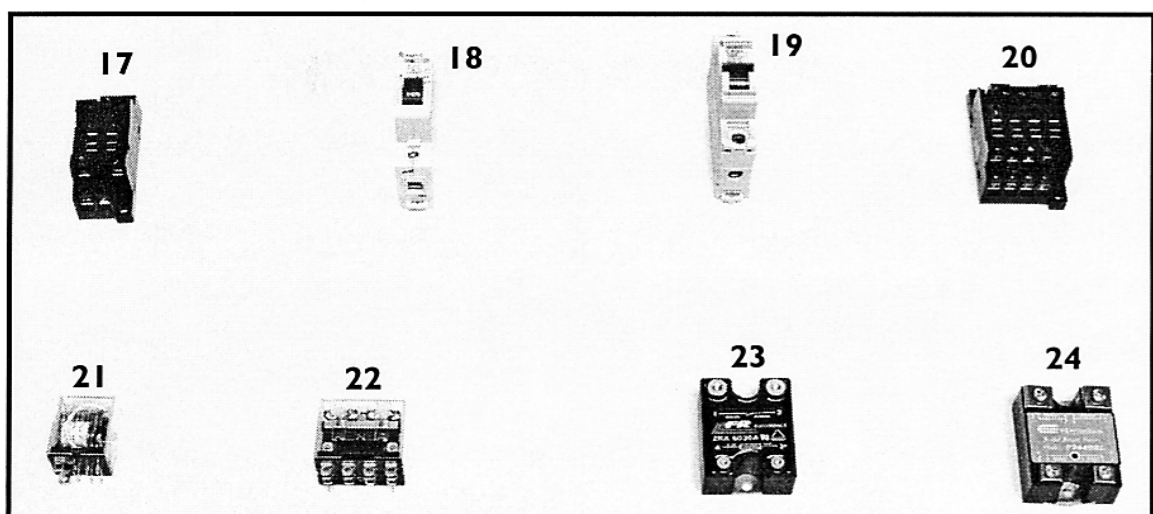
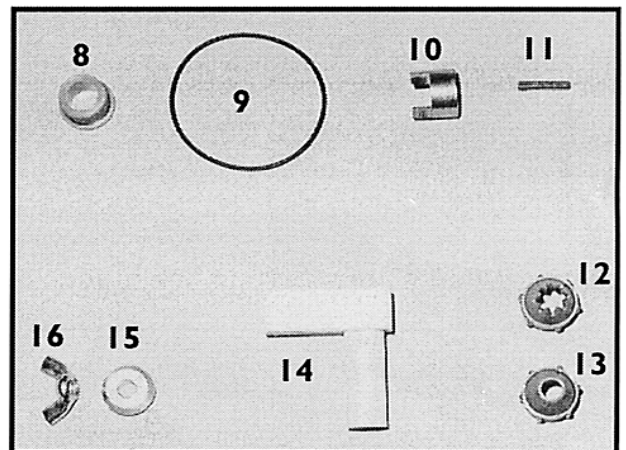
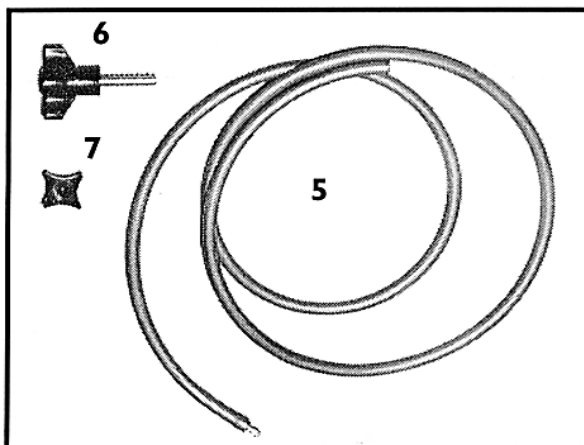
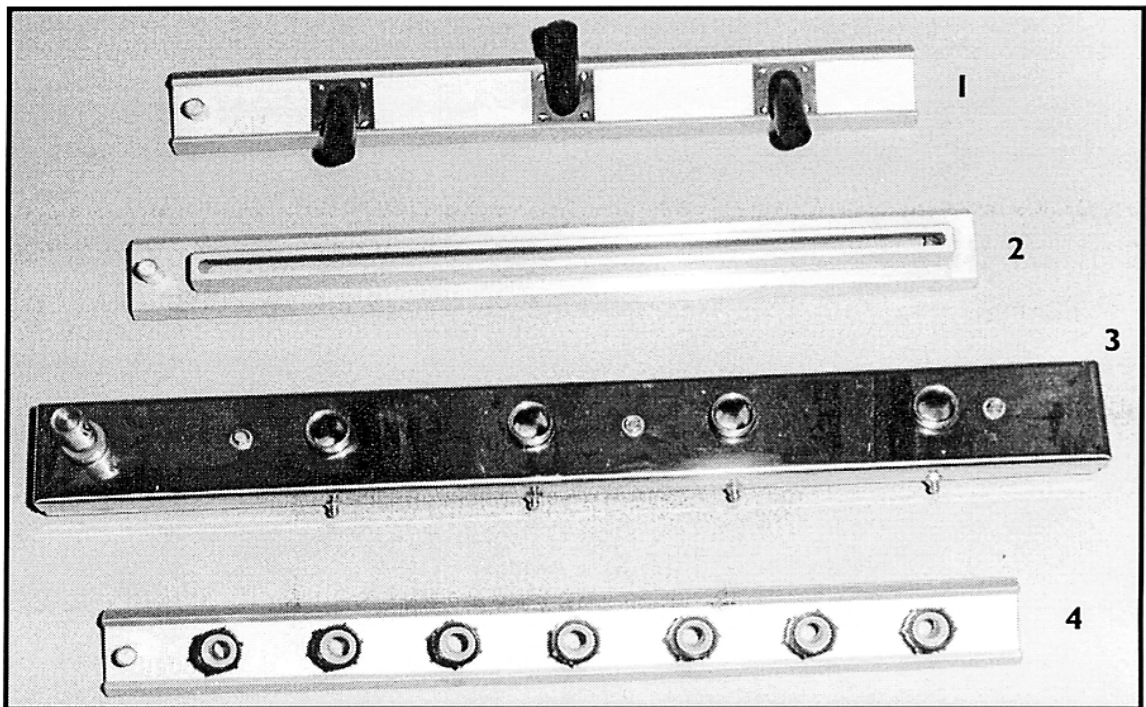
24.0 SPARE PARTS

24.1 SPARE PARTS LIST

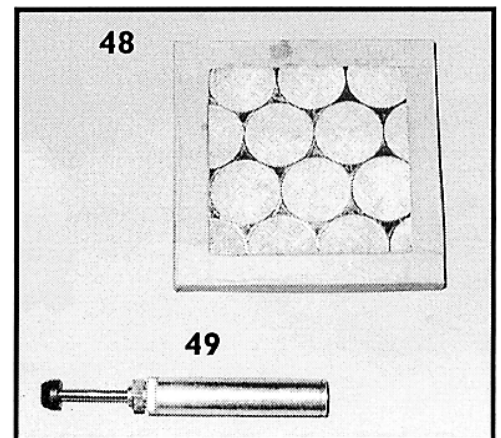
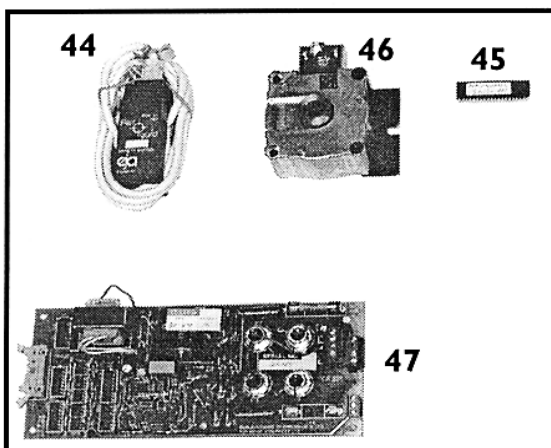
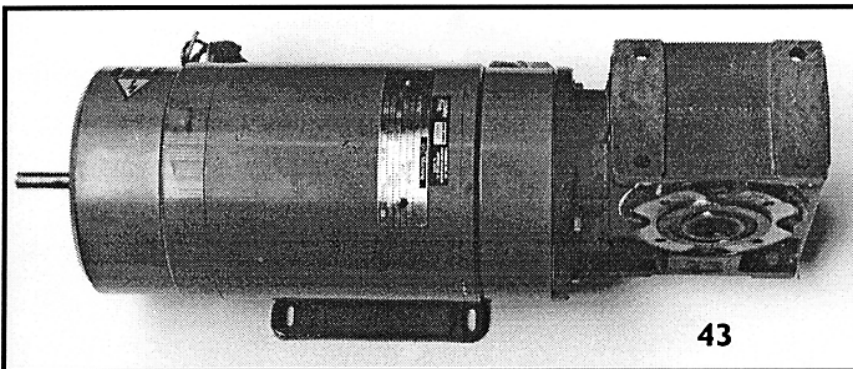
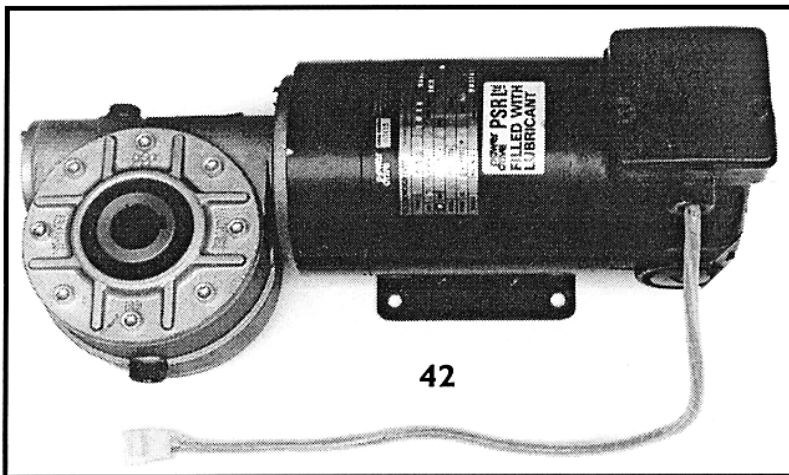
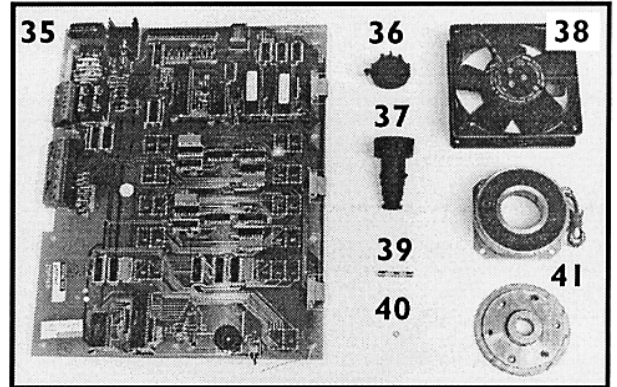
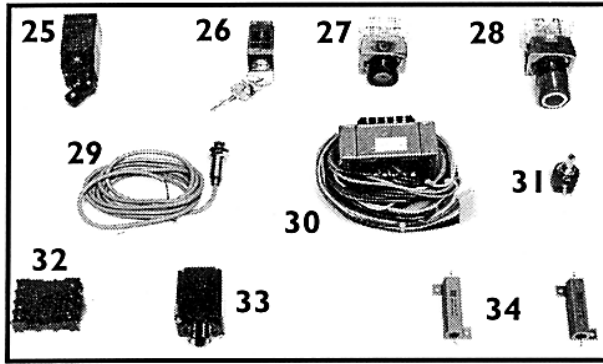
ITEM NO	DESCRIPTION		
1	Staggered template	38	Fan
2	Sheeting template	39	2.5 Amp fuse
3	Rotary template		0.63 Amp fuse
4*	Standard template		1.25 Amp fuse
5	Round belt		
6	Thumb screw	40	3mm Nut
7	Thumb screw		4mm Nut
8	End cap bush	41	Brake unit
9	End cap 'O' ring		Brake unit plate
10	Hopper drive adaptor	42	Table drive motor
11	Hopper drive adaptor securing pin		Rotary drive gear box
12	Star nozzle	43	Pump motor
13	Plain nozzle	44	Magnetic safety switch
14	Rotary offset nozzle	45	ICI
15	Template clamping cone		IC2
16	Template clamping wing nut	46	Shaft encoder
17	8 pin relay base	47	Tray travel speed controller
18	M.C.B. (1 Amp)		Rotary head speed controller
	M.C.B. (2 Amp)		Deposit speed controller
19	M.C.B. (20 Amp)	48	Air filter
	M.C.B. (5 Amp)		
	M.C.B. (10 Amp)	49	Damper
20	14 pin relay base		
21	8 pin relay		
22	14 pin relay		
23	30 Amp solid state relay		
24	40 Amp solid state relay		
25	Limit switch		
26	Programme lock & key		
27	Start switch		
28	Stop switch		
29	Auto/start sensor		
30	Transformer		
31	Potentiometer		
32	8 pin relay base		
33	90 volt power pack		
34	50 Watt resistor 10ohm		
	50 Watt resistor 2.2ohm		
35	Main printed circuit board		
36	3 pin socket (plastic)		
37	3 pin plug		

* Note: a wider range of special templates is available to order


24.2 SPARES



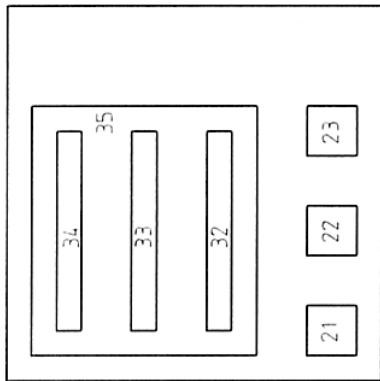
24.3 SPARES



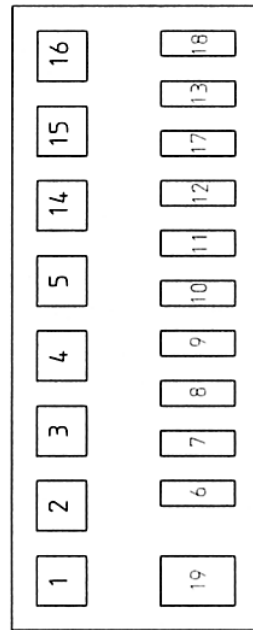
<u>DRAWING</u> <u>PT-Ref</u>	<u>DESCRIPTION</u>	<u>MONO</u> <u>PART NUMBER</u>	<u>DRAWING</u> <u>PT-Ref</u>	<u>DESCRIPTION</u>	<u>MONO</u> <u>PART NUMBER</u>
PT-1	DEPOSIT MOTOR DYNAMIC BRAKING S.C.R.	8819-37-001	PT-27	TRAY TRAVEL MOTOR WITH ENCODER	8912-74-004
PT-2	HEATED HOPPER S.C.R.	8945-37-001	PT-28	AIR CIRCULATING FAN	8869-75-003
PT-3	MAIN RELAY N'1	8723-37-008	PT-29	DEPOSIT MOTOR ELECTROMAGNETIC BRAKE	8912-31-001
PT-4	MAIN RELAY N'2	8723-37-008	PT-30	AUTO START SENSOR	8819-99-001
PT-5	FORWARD/REVERSE RELAY	8723-37-008	PT-31	ROTARY HEAD MOTOR UNIT	8912-74-005
PT-6	CONTROL M.C.B.(HD-2)	8872-22-061	PT-32	DEPOSIT MOTOR SPEED CONTROLLER	8819-93-002
PT-7	DEPOSIT MOTOR M.C.B.(HD-10)	8872-22-064	PT-33	TRAY TRAVEL MOTOR SPEED CONTROLLER	8819-93-012
PT-8	TRAY TRAVEL MOTOR M.C.B.(HD-6)	8872-22-063	PT-34	ROTARY HEAD MOTOR SHAFT ENCODER	8819-93-012
PT-9	ROTARY HEAD MOTOR M.C.B.(HD-6)	8872-22-063	PT-35	MAIN P.C.B.	8819-93-001
PT-10	HEATED HOPPER M.C.B.(HB-6)	8872-22-004	PT-36	DEPOSIT MOTOR SHAFT ENCODER	8912-99-001
PT-11	DEPOSIT MOTOR DYNAMIC BRAKING M.C.B.(HD-6)	8872-22-063	PT-37	TRAY TRAVEL MOTOR SHAFT ENCODER	8912-99-001
PT-12	DEPOSIT MOTOR ELECTROMAGNETIC BRAKE M.C.B.(HB-1)	8872-22-001	PT-38	E.M.C. FILTER	8842-48-009
PT-13	DEPOSIT MOTOR DYNAMIC BRAKING RESISTOR	8842-59-010	PT-39	FERRITE SLEEVE	8842-48-008
PT-14	DEPOSIT MOTOR ELECTROMAGNETIC BRAKE RELAY	8723-37-016			
PT-15	DEPOSIT MOTOR ELECTROMAGNETIC BRAKE POWER PACK	8912-93-001			
PT-16	TRAY TRAVEL MOTOR DYNAMIC BRAKING RELAY	8723-37-016			
PT-17	TRAY TRAVEL MOTOR DYNAMIC BRAKING M.C.B.(HD-4)	8872-22-062			
PT-18	TRAY TRAVEL MOTOR DYNAMIC BRAKING RESISTOR	8842-59-014			
PT-19	CONTROL TRANSFORMER	8819-31-001			
PT-20	TABLE HEIGHT POTENTIOMETER	8842-59-016			
PT-21	STOP BUTTON	8859-12-008			
PT-22	START BUTTON	8859-12-007			
PT-23a	PROGRAMME SET/LOCK SWITCH	8900-07-001			
PT-23b	SPARE KEY FOR PROGRAMME SWITCH	8900-07-003			
PT-24	JOG ENGAGED SENSOR	8819-99-001			
PT-25	REVERSE LIMIT SWITCH	8801-11-008			
PT-26	DEPOSIT MOTOR WITH ENCODER	8912-74-007			

D	JC	8-9-98	8723-37-008 WAS 8822-37-014; 8723-37-016 WAS 8822-37-013.	07/98
C	S.P	26-1-96	PARTS 38 AND 39 ADDED	6049
B	S.P	21-12-93	ITEM 32 WAS 072-38-11100; ITEM 33 WAS 072-38-11200	4849
A	GMD	20-5-91	PT'S 32 & 33 WERE STORES NO.S 8819-93-002 & 8819-93-012	3536
REV	SIG	DATE	REVISION	ECN NO.
 <p>SWANSEA IND. EST. FROESTFACH, SWANSEA, SAS 4EB. TEL: (01792) 561234 EQUIPMENT LIMITED. FAX: (01792) 561016 Email: 100432.505@compuserve.com</p>				
ELECTRICAL SPECIFICATIONS:-				
TITLE: COMPONENT PART LIST FOR MK10 V3 DEPOSITOR				
DRAWN: S.P/JC			ELECTRICALLY APPROVED BY:- P. BOYLES	
DATE: 14-10-94			DRAWING NO. M072-38-11000	
10-9-98			REV: D	

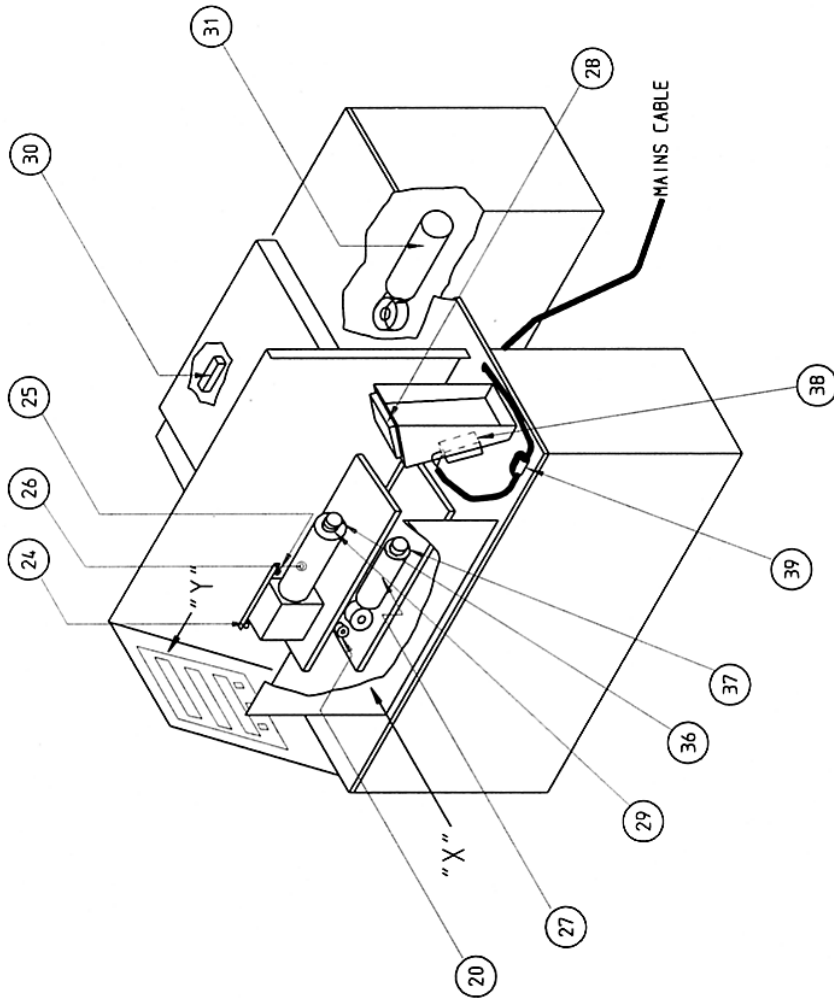
Copyright © 1998 - THIS DESIGN/DRAWING IS THE PROPERTY OF MONO EQUIPMENT LTD. AND MUST NOT BE REPRODUCED, COPIED, NOR ITS CONTENTS DIVULGED WITHOUT PRIOR WRITTEN PERMISSION.



FRONT CONTROL PANEL LAYOUT
(ARROW "Y")



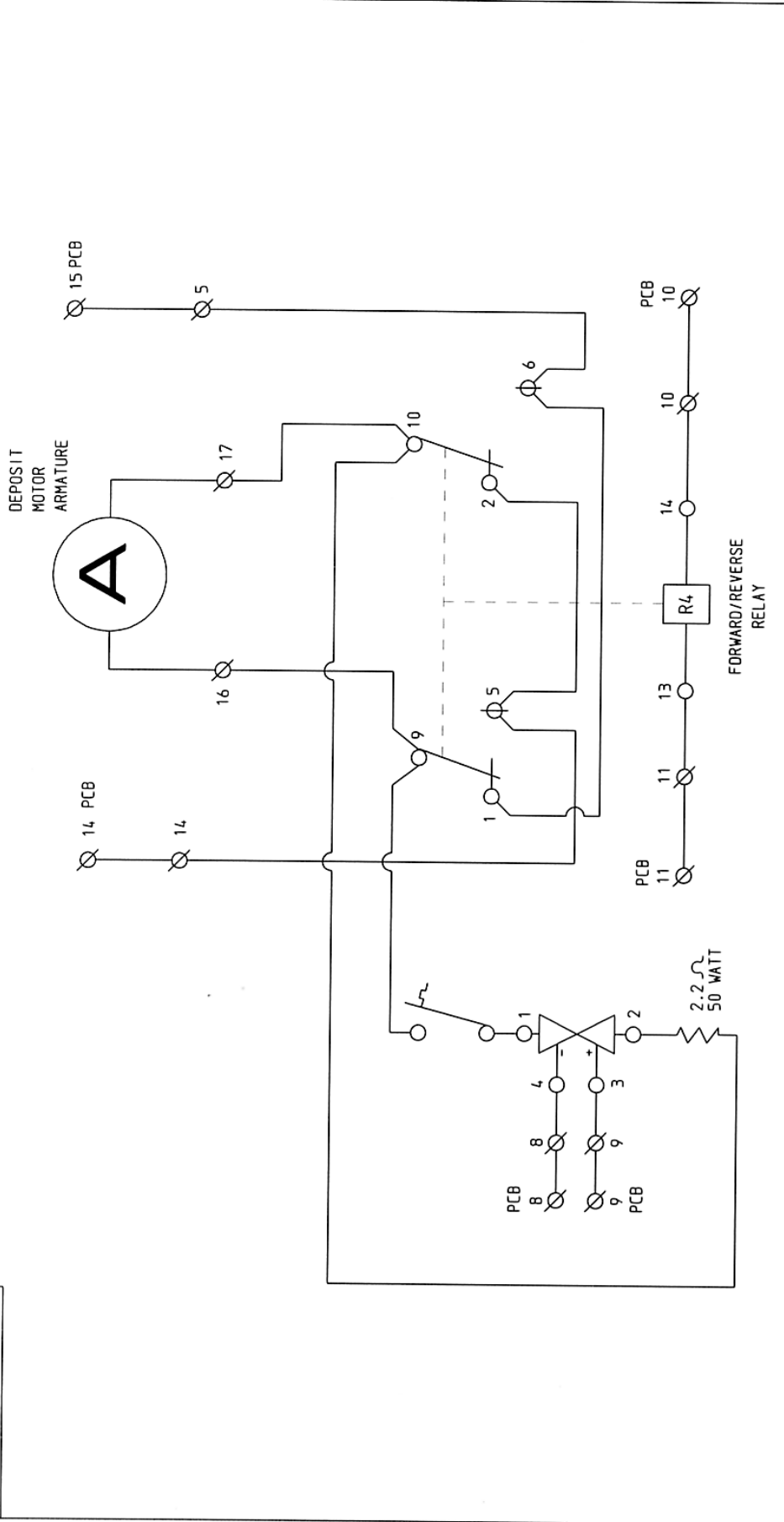
MAIN CONTROL PANEL COMPONENT LAYOUT
(ARROW "X")



D	8-9-98	JC	SEE SHEET 1 FOR DETAILS	07/98
C	26/01/96	SP	Parts 38 & 39 added.	ECN 6049
B	21/12/93	SP	for details see sheet 1	ECN 4849
REMOVE ALL BURRS & SHARP EDGES - ON SHEET METAL PARTS EXTERNAL CORNERS TO BE SAFETY RADIOUSED 2mm UNLESS STATED OTHERWISE				
MACHINING. ▽ COARSE FINISHING). ▽ MEDIUM FINISHING). ▽ FINE FINISHING). ▽ G. GROUND FINISHING)				
OPEN TOL. 150 & BELOW ±.5, OVER 150 ±1.0 DECIMAL DIMS. 75 & BELOW ±.25, 75 TO 300±.4, 300 TO 600±.5, OVER 600±1.0				
Title: COMPONENT LAYOUT FOR				
MK 10 V3 DEPOSITOR.				
No. Req'd	-		Drawn: S.P.	
Material:	-		Date: 14-10-94	
Finish:	-		Scale: -	
Drawing No. SHEET 2 OF 2				Change 0
M072-38-11000				

MONO
 MONO EQUIPMENT LTD.,
 QUEENSWAY,
 SWANSEA INDUSTRIAL ESTATE,
 FORESTFACH, SWANSEA, SA5 4EB

IF IN ANY DOUBT - ASK

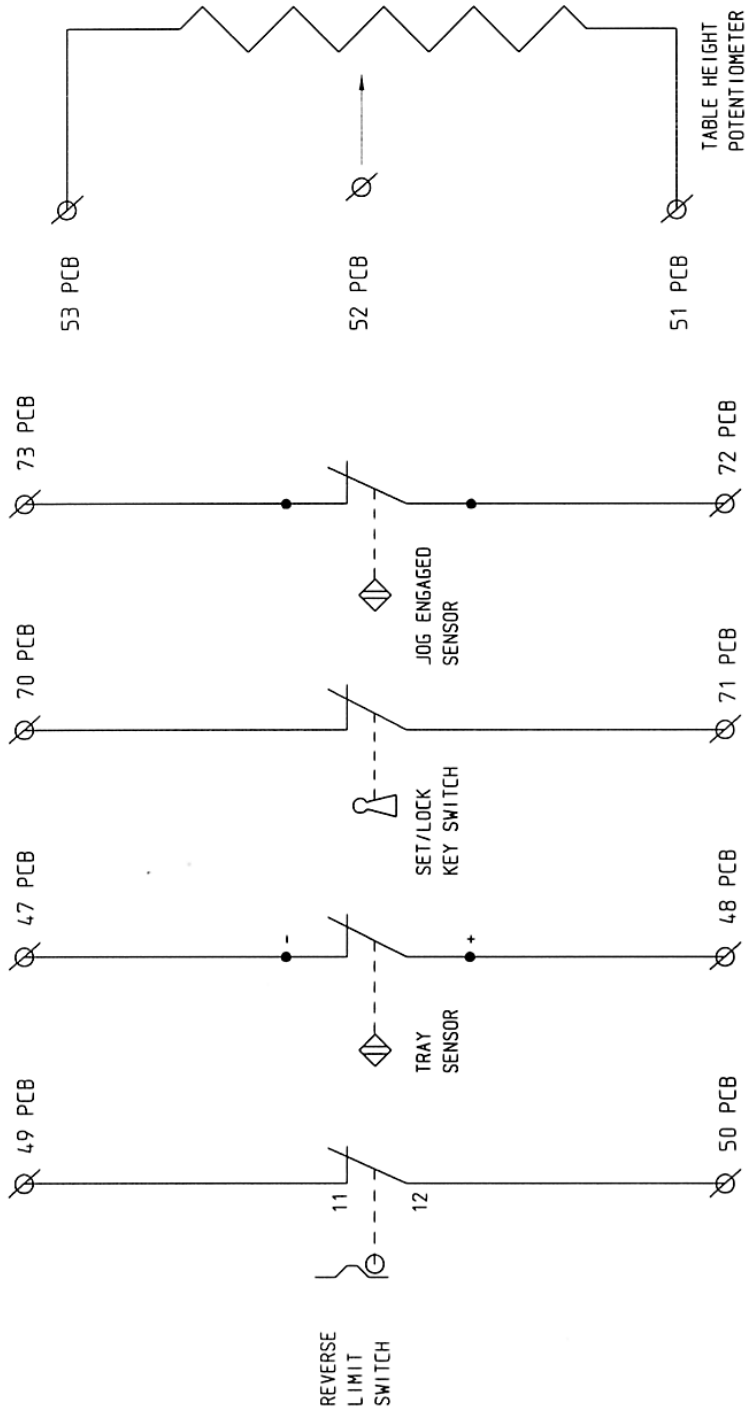


REV	SIG	DATE	REVISION	ECN NO.
<p>SWANSEA IND EST. FFORESTFACH, SWANSEA, SA5 4EB. TEL: (01792) 561234 EQUIPMENT LIMITED FAX: (01782) 561016 Email: 100432.505@compuserve.com</p>				
<p>MONO</p>				
<p>ELECTRICAL SPECIFICATIONS:-</p>				
<p>DRAWN: ELECTRICALLY APPROVED BY:- AJC / JC</p>				
<p>DATE: 15-3-88</p>				
<p>DRAWING NO. M072-38-10200</p>				
<p>REV: —</p>				

REDRAWN ON CAD 10-98

COPYRIGHT © 1998 - THIS DESIGN/DRAWING IS THE PROPERTY OF MOND EQUIPMENT LTD. AND MUST NOT BE REPRODUCED, COPIED, OR ITS CONTENTS DIVULGED WITHOUT PRIOR WRITTEN PERMISSION.

IF IN ANY DOUBT - ASK

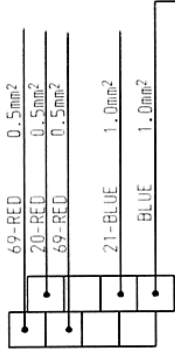


REV	SIG	DATE	REVISION	ECN NO.
<p>SWANSEA IND EST. FFORESTFACH, SWANSEA, SA5 4EB. TEL: (01792) 581234 FAX: (01792) 561016 Email: 100432.505@compuserve.com</p>				
<p>MONO EQUIPMENT LIMITED</p>				
<p>ELECTRICAL SPECIFICATIONS:-</p>				
<p>TITLE: CONNECTIONS FOR AN ILLARY COMPONENTS</p>				
<p>DRAWN: A J C / J C</p>				
<p>ELECTRICALLY APPROVED BY:-</p>				
<p>DATE: 25-3-88</p>				
<p>DRAWING NO. M072-38-10300</p>				
<p>REV: —</p>				

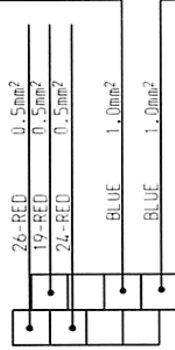
REDRAWN ON CAD 10-98
 COPYRIGHT © 1998 - THIS DESIGN/DRAWING IS THE PROPERTY OF MONO EQUIPMENT LTD., AND MUST NOT BE REPRODUCED, COPIED,
 NOR ITS CONTENTS DIVULGED WITHOUT PRIOR WRITTEN PERMISSION.

IF IN ANY DOUBT - ASK

ROTARY HEAD MOTOR SPEED CONTROLLER



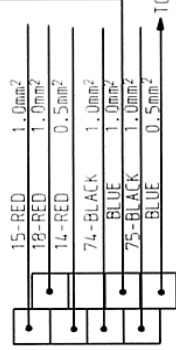
TRAY TRAVEL MOTOR SPEED CONTROLLER



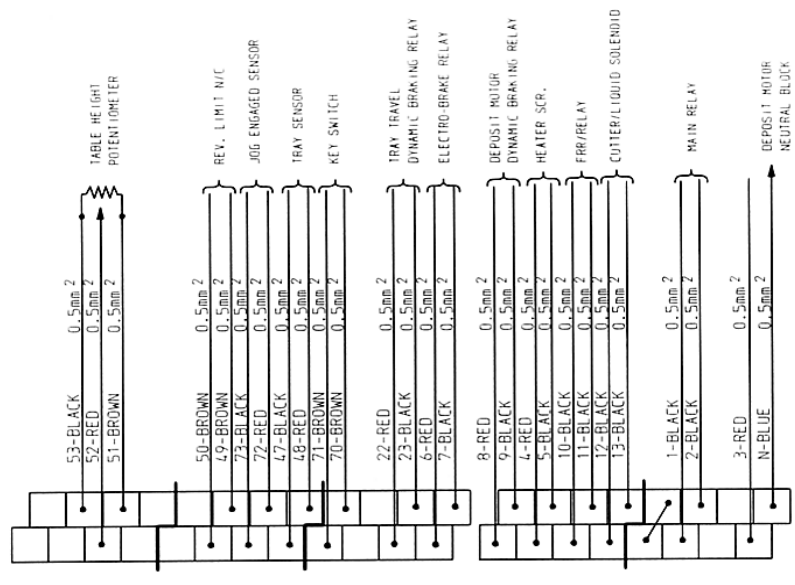
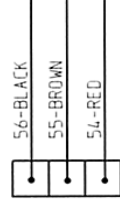
SHAFT ENCODER



DEPOSIT MOTOR SPEED CONTROLLER



SHAFT ENCODER



MAIN PCB CONNECTIONS

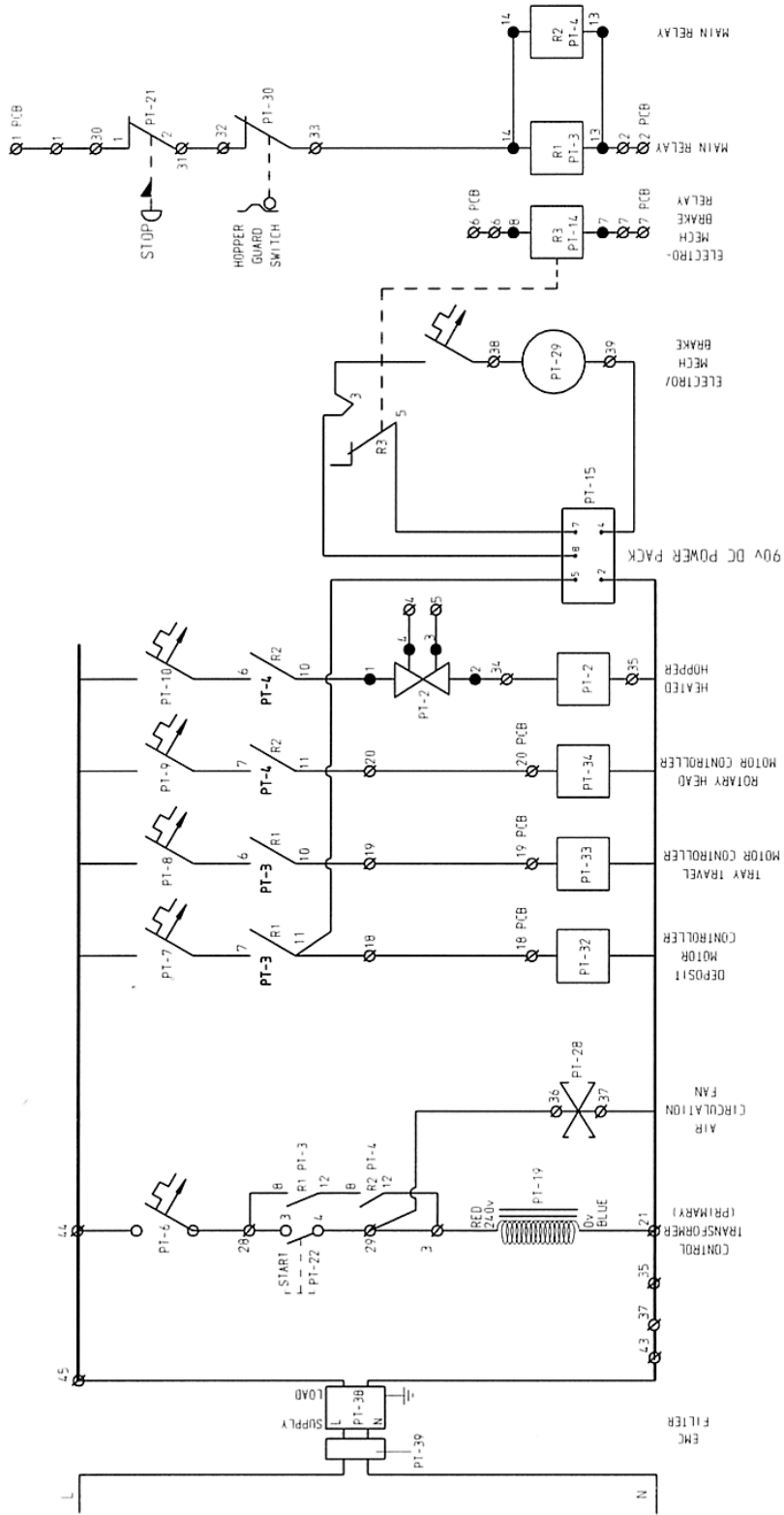
REV	SIG	DATE	REVISION	ECN NO.
B	SP	21-12-93	DEPOSIT MOTOR SPEED CONTROLLER SHAFT ENCODER NOW NOT WIRED TO SWANSEA IND EST.	4849
A	GND	20-5-91	CONNECTIONS FOR KBMM TYPE SHOWN	3536

TITLE: MOTOR CONTROLLERS & MAIN PCB CONNECTIONS (KBMM TYPE)
 SWANSEA IND EST. FFORESTFACH, SWANSEA, SWS 4EB. TEL: (01792) 561234 EMPMENT LIMITED FAX: (01792) 561016 Email: 100432.505@compuserve.com

DRAWN: WHD/JC		DATE: 28-11-88	REV: B
ELECTRICAL SPECIFICATIONS:-		DRAWING NO. M072-38-10500	ECN NO.
ELECTRICALLY APPROVED BY:-			

FOR EARLIER TYPE (CHROMALOCK) SPEED CONTROLLER SEE ORIGINAL ISSUE DATED 18/11/88

IF IN ANY DOUBT - ASK



REV	SIG	DATE	REVISION	ECN NO.
A	SP	26-1-96	PT-38 & PT-39 ADDED	6049
TITLE:				
SCHEMATIC WIRING DIAGRAM				
SWANSEA IND EST. FORESTFACH, SWANSEA, SUSSEX TEL: (01792) 561234 FAX: (01782) 561016 Email: 100432.505@compuserve.com			DRAWN: AJC / JC	
ELECTRICAL SPECIFICATIONS:-			ELECTRICALLY APPROVED BY:-	
REDRAWN ON CAD 10-98			DRAWING NO. M072-38-10100	
COPYRIGHT © 1996 - THIS DESIGN/DRAWING IS THE PROPERTY OF MOND EQUIPMENT LTD. AND MUST NOT BE REPRODUCED, COPIED, OR ITS CONTENTS DIVULGED WITHOUT PRIOR WRITTEN PERMISSION.			REV: A	

MK10 DEPOSITOR ADJUSTMENT TO TRANSFORMER TAPPINGS FOR LOCAL SUPPLY VOLTAGE

