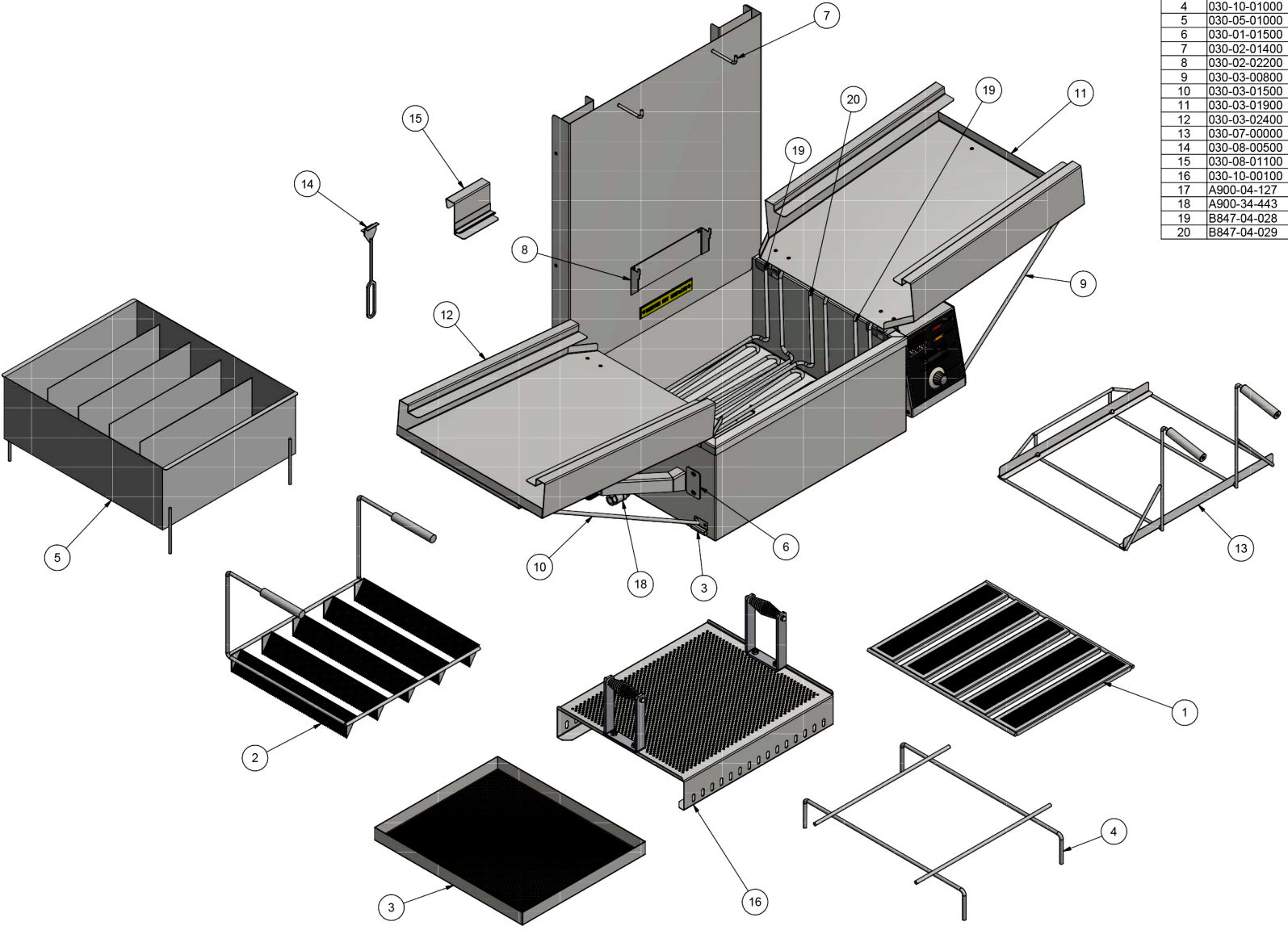


PARTS LIST			
ITEM	PART NUMBER	DESCRIPTION	SPARES NUMBER
1	030-03-01600	5 SEGMENTED TRAY	
2	030-06-00000	TURNOVER DEVICE	
3	FG205-091	PERFORATED TRAY	
4	030-10-01000	SPLIDER	
5	030-05-01000	SPLITTER	
6	030-01-01500	PIPE GUARD	
7	030-02-01400	HOOK	
8	030-02-02200	CARRIER HOOK	
9	030-03-00800	SUPPORT BAR	
10	030-03-01500	SUPPORT BAR	
11	030-03-01900	RH FEED & DRAINER	
12	030-03-02400	OUTFEED	
13	030-07-00000	TRAY CRADLE	
14	030-08-00500	FABRICATION OF HOOK	
15	030-08-01100	TRAY LIFTER ASSY	
16	030-10-00100	CARRIER ASSEMBLY	
17	A900-04-127	M6 DOME NUT	
18	A900-34-443	SHUT OFF VALVE 3/8" BSP	
19	B847-04-028	ELEMENT 2KW	
20	B847-04-029	ELEMENT 3KW	




 QUEENSWAY  
 SWANSEA WEST IND. PARK  
 SWANSEA SA5 4EB  
 TEL 01792 561234  
 FAX 01792 561016

## FG030 Tabletop Doughnut Fryer Main Assembly