



www.monoequip.com

Enter **Serial No.** here. _____

In the event of an enquiry please quote this serial number.



ECO-TOUCH

Bx OVEN

ELECTRICAL INFORMATION

**FOR ENGINEERS USE ONLY.
DO NOT ATTEMPT ANY ALTERATIONS.
IF IN DOUBT, CONTACT MONO FOR ADVICE**

ELECTRICAL SAFETY AND ADVICE REGARDING SUPPLEMENTARY ELECTRICAL PROTECTION:

Commercial bakeries, kitchens and food service areas are environments where electrical appliances may be located close to liquids, or operate in and around damp conditions, or where restricted movement for installation and service is evident.

The installation and periodic inspection of the appliance should only be undertaken by a qualified, skilled and competent electrician, and connected to the correct supply suitable for the load as stipulated by the appliance data label.

The electrical installation and connections should meet the necessary requirements of the local electrical wiring regulations and any electrical safety guidelines.

We Recommend:

- Supplementary electrical protection with the use of a residual current device (RCD)
- Fixed wiring appliances incorporate a locally situated switch disconnecter to connect to, which is easily accessible for switching off and safe isolation purposes. The switch disconnecter must meet the specification requirements of IEC 60947.

Your attention is drawn to:

BS 7671:2018 – Guidance Note 8 – 8.13 : Other locations of increased risk

It is recognised that there may be locations of increased risk of electrical shock other than those specifically addressed in Part 7 of BS 7671. Examples of such locations could include laundries where there are washing and drying machines in close proximity, and water is present, and commercial kitchens with stainless steel units, where once again, water is present. Where, because of the perception of additional risks being likely, the installation designer decides that an installation or location warrants further protective measures, the options available includes:

- Automatic Disconnection of Supply (ADS) by means of a residual current device having a residual operating current not exceeding 30 mA;
- Supplementary protective equipotential bonding; and
- Reduction of maximum fault clearance time.

The provision of RCDs and supplementary bonding must be specified by the host organisation's appointed installation designer or electrical contractor and installed by a suitably qualified and competent electrician so as to comply with Regulations 419.2 and 544.2.



The supply to this machine must be protected by a **30mA RCD**

BX ECO-TOUCH WIRING DIAGRAMS

SECTION 1

FG149/150

10 TRAY ECO-TOUCH

PAGE 3

M150E25-75100	COMPONENTS
M150E25-03100	CONTROL PANEL LAYOUT
M150E25-71200	PCB CONNECTIONS
M150E25-75200	PCB OUTPUTS
M150E25-51300	LIGHT AND POWER CIRCUIT
M150E25-03200	MOTOR POWER CIRCUIT
M150E25-03300	HEATING POWER CIRCUIT
M150E25-03400	FAN AND ELEMENT WIRING

SECTION 2

FG156

2 TRAY ECO-TOUCH

PAGE 12

M156E25-75000	COMPONENTS
M156E25-11600	CONTROL AND POWER CIRCUIT
M156E25-71200	PCB CONNECTIONS
M156E25-75100	PCB OUTPUTS

SECTION 3

FG153/158/159

4 TRAY ECO-TOUCH

PAGE 17

M159E25-75000	COMPONENTS (159 ONLY)
M159E25-11100	CONTROL CIRCUIT (159 ONLY)
M158E25-75200	COMPONENTS (153/158 ONLY)
M158E25-20700	CONTROL CIRCUIT (153/158 ONLY)
M158E25-71200	PCB CONNECTIONS
M158E25-75300	PCB OUTPUTS
M158E25-01800	POWER CIRCUIT
M158E25-20900	FAN AND ELEMENT WIRING

SECTION 4

FG158 4 TRAY 1 PHASE

PAGE 26

M158E25-75400	COMPONENTS
M158E25-71200	PCB CONNECTIONS
M158E25-20700	CONTROL CIRCUIT
M158E25-75500	PCB OUTPUTS
M158E25-51300	POWER CIRCUIT
M158E25-52200	FAN AND ELEMENT WIRING

FG149/150 ECO-TOUCH 10 TRAY

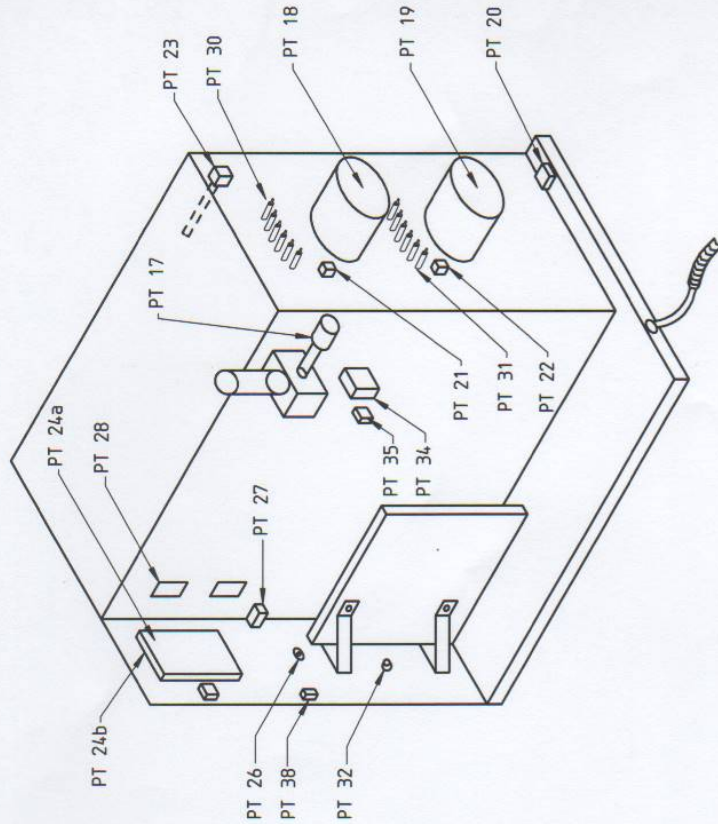
M150E25-75100	COMPONENTS
M150E25-03100	CONTROL PANEL LAYOUT
M150E25-71200	PCB CONNECTIONS
M150E25-75200	PCB OUTPUTS
M150E25-51300	LIGHT AND POWER CIRCUIT
M150E25-03200	MOTOR POWER CIRCUIT
M150E25-03300	HEATING POWER CIRCUIT
M150E25-03400	FAN AND ELEMENT WIRING

SECTION 1

FOR ENGINEERS USE ONLY.
DO NOT ATTEMPT ANY ALTERATIONS.
IF IN DOUBT, CONTACT MONO FOR ADVICE

IF IN ANY DOUBT - ASK

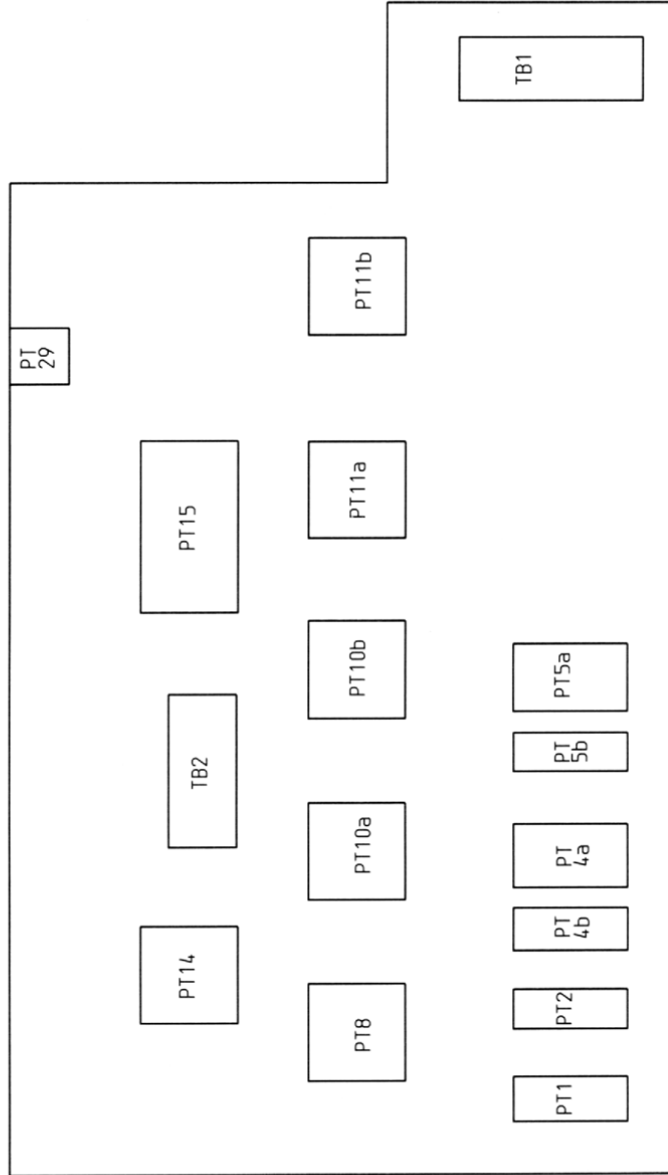
DRAWING PT-Ref	DESCRIPTION	MONO PART NUMBER
PT-1	INTERIOR LIGHT M.C.B.	8872-22-063
PT-2	CONTROL CIRCUIT M.C.B.	8872-22-062
PT-4a	FAN MOTOR OVERLOAD UNIT N'1 (TOP)	8801-03-020
PT-4b	FAN MOTOR OVERLOAD N'1 AUXILIARY CONTACT	8801-14-012
PT-5a	FAN MOTOR OVERLOAD UNIT N'2 (BOTTOM)	8801-03-020
PT-5b	FAN MOTOR OVERLOAD N'2 AUXILIARY CONTACT	8801-14-012
PT-8a	INTERIOR LIGHT RELAY	8723-37-004
PT-8b	INTERIOR LIGHT RELAY BASE	8723-36-001
PT-10a	FAN MOTOR CONTACTOR N'1-FORWARD (TOP MOTOR)	8801-08-031
PT-10b	FAN MOTOR CONTACTOR N'1-REVERSE (TOP MOTOR)	8801-08-031
PT-11a	FAN MOTOR CONTACTOR N'2-FORWARD (BTM MOTOR)	8801-08-031
PT-11b	FAN MOTOR CONTACTOR N'2-REVERSE (BTM MOTOR)	8801-08-031
PT-14	24V DC POWER SUPPLY UNIT	8801-93-005
PT-15	HEATING ELEMENT CONTACTOR	8801-08-020
PT-17	{ DAMPER SOLENOID (L/H) DAMPER SOLENOID (R/H)	{ 8749-83-003 8749-83-004
PT-18	FAN MOTOR UNIT N'1 (TOP MOTOR)	8720-74-005
PT-19	FAN MOTOR UNIT N'1 (BOTTOM MOTOR)	8720-74-005
PT-20	WATER SOLENOID	150-07-004.00
PT-21	OVERHEAT THERMOSTAT N'1 (TOP)	8888-30-014
PT-23	OVEN THERMOCOUPLE	8873-95-002
PT-24a	PCB ASSEMBLY	M158-25-80000
PT-24b	PCB ASSEMBLY	M158-25-80000
PT-26	PUSHBUTTON-GREEN-LATCHING	8836-07-004
PT-27	DOOR SWITCH	8842-07-037
PT-28A	INTERIOR LIGHT UNIT	8721-67-011
PT-28B	INTERIOR LIGHT BULB	8857-94-007
PT-29	BUZZER (OPTION)	8723-92-002
8KW ELEMENT OVENS ONLY		
PT-30	HEATING ELEMENT UNIT N'1 (TOP)	240v 8847-04-068
PT-31	HEATING ELEMENT UNIT N'2 (BOTTOM)	240v 8847-04-068
PT-30	HEATING ELEMENT UNIT N'1 (TOP)	220v 8847-04-073
PT-31	HEATING ELEMENT UNIT N'2 (BOTTOM)	220v 8847-04-073
7KW ELEMENT OVENS ONLY		
PT-30	HEATING ELEMENT UNIT N'1 (TOP)	240v 8847-04-067
PT-31	HEATING ELEMENT UNIT N'2 (BOTTOM)	240v 8847-04-067
PT-30	HEATING ELEMENT UNIT N'1 (TOP)	220v 8847-04-074
PT-31	HEATING ELEMENT UNIT N'2 (BOTTOM)	220v 8847-04-074
PT-34	REAR FAN UNIT	8849-75-018
PT-35	REAR FAN UNIT FUSE	8842-85-025
PT-36	AUX POWER OUTLET	8970-06-001
PT-37	AUX POWER OUTLET FUSE	8842-85-039
PT-38	SPEAKER	8842-92-005




B	JC	02-05-19	PT-27 WAS B842-07-023	BX-007-18-19
A	JC	27/11/18	PT18 & PT19 WERE B720-74-001	BX-007-18-19
REV	SIG	DATE	REVISION	ECN NO.
			TITLE: ELECTRICAL COMPONENTS LAYOUT BXC 10 TRAY OVEN ECO/HALOGEN DRAWN: RAC/JC ELECTRICALLY APPROVED BY:-	
QUEENSWAY SWANSEA WEST IND PARK SWANSEA, SA6 4EB. TEL: (01792) 561234 FAX: (01792) 561016			ELECTRICAL SPECIFICATIONS:- 4.15V 3PH 50Hz	
DATE: 30/11/09 DRAWING NO. M150E25-75100			REV: B	

COPYRIGHT © 1998 - THIS DESIGN/DRAWING IS THE PROPERTY OF MONO EQUIPMENT LTD. AND MUST NOT BE REPRODUCED, COPIED, OR ITS CONTENTS DIVULGED WITHOUT PRIOR WRITTEN PERMISSION.

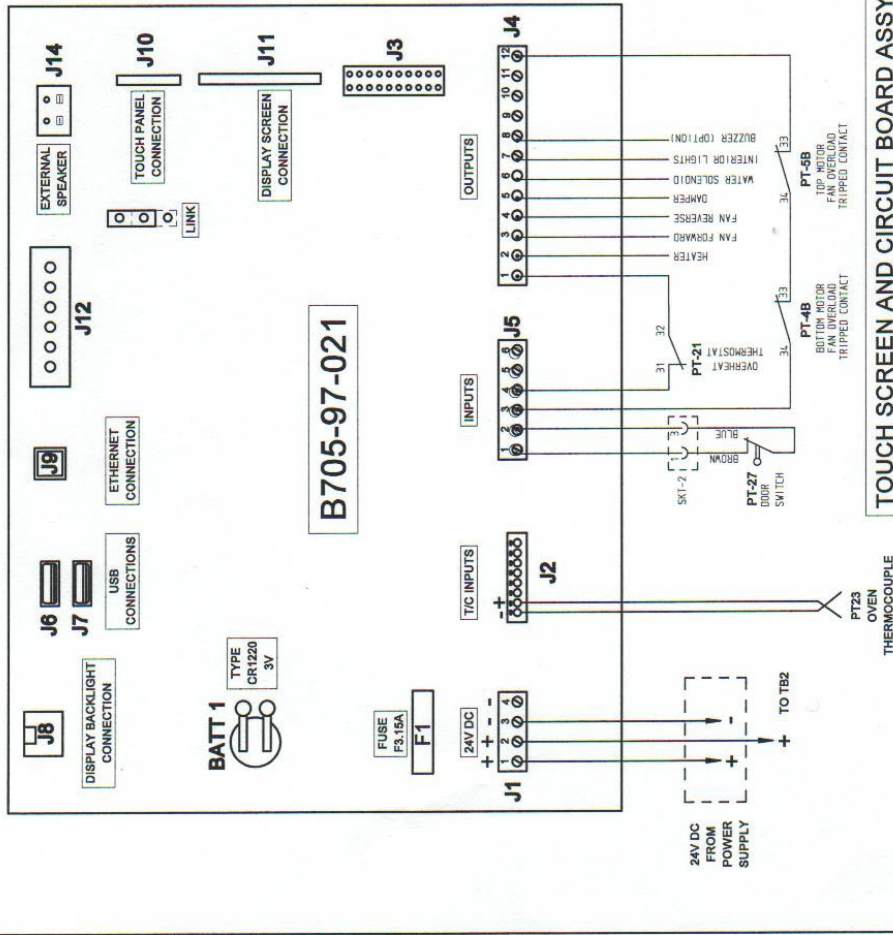
IF IN ANY DOUBT - ASK



REV	SIG	DATE	REVISION	ECN NO.
 MOND EQUIPMENT QUEENSWAY SWANSEA WEST IND PARK SWANSEA, SAS 4EB. TEL: (01782) 561234 FAX: (01782) 561016		TITLE: COLOURSMART MAIN CONTROL PANEL LAYOUT 10 TRAY OVEN MK II		
ELECTRICAL SPECIFICATIONS:-			DRAWN: A.L.W.	ELECTRICALLY APPROVED BY:- P. BOYLES
			DATE: 3/2/00	DRAWING NO. M150E25-03100
				REV: -

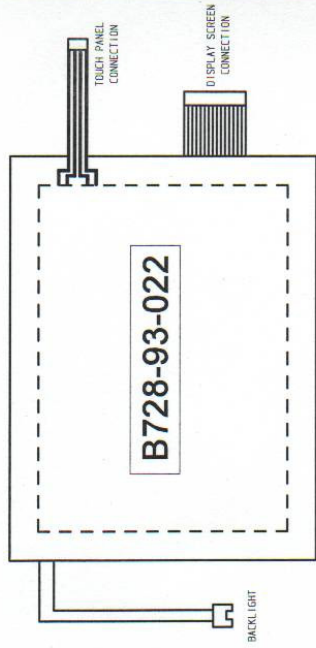
COPYRIGHT © 1998 - THIS DESIGN/DRAWING IS THE PROPERTY OF MOND EQUIPMENT LTD. AND MUST NOT BE REPRODUCED. COPIED.
 NOR ITS CONTENTS DIVULGED WITHOUT PRIOR WRITTEN PERMISSION.

IF IN ANY DOUBT - ASK



B705-97-021

DISPLAY SCREEN WITH TOUCH PANEL



VIEW FROM REAR

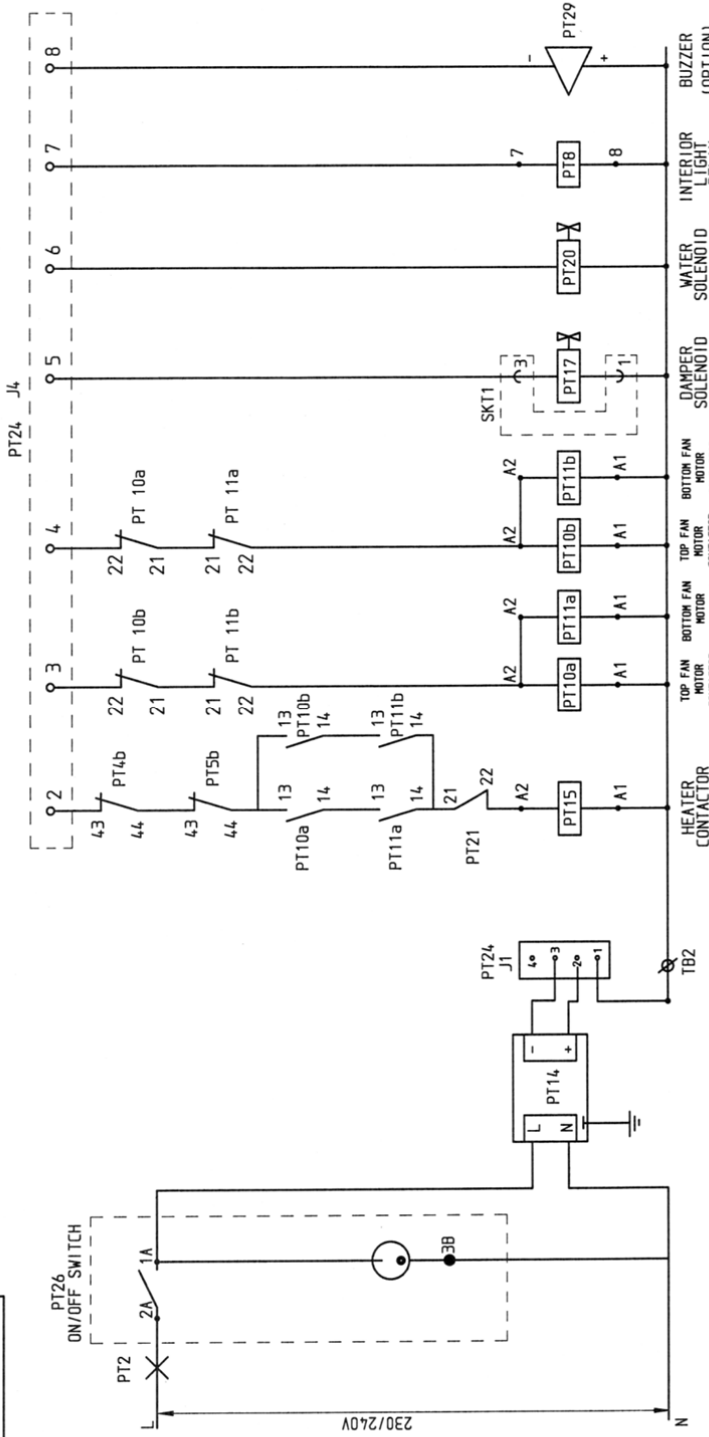
TOUCH SCREEN AND CIRCUIT BOARD ASSY
MONO STOCK No. M158-25-80000
 CONSISTING OF:
 M158-25-12500 PANEL MOUNTING PLATE
 B728-93-022 TOUCH SCREEN
 B705-97-021 CIRCUIT BOARD

USB CABLE PT No B705-25-007

COPYRIGHT © 1998 - THIS DESIGN/DRAWING IS THE PROPERTY OF MONO EQUIPMENT LTD. AND MUST NOT BE REPRODUCED, COPIED, NOR ITS CONTENTS DIVULGED WITHOUT PRIOR WRITTEN PERMISSION.

REV	SIG	DATE	REVISION	ECN NO.
			ECO TOUCH MAIN PCB/SCREEN LAYOUT (TOUCAN) DRAWN: ELECTRICALLY APPROVED BY: RAC: AT	
MONO EQUIPMENT SWANSEA WEST IND PARK SWANSEA, SA5 4EB. TEL: (01792) 561234 FAX: (01792) 561018			TITLE: ECO TOUCH MAIN PCB/SCREEN LAYOUT (TOUCAN) 10 TRAY DATE: 19/11/09 DRAWING NO. M150E25-71200 REV: --	
ELECTRICAL SPECIFICATIONS:-				

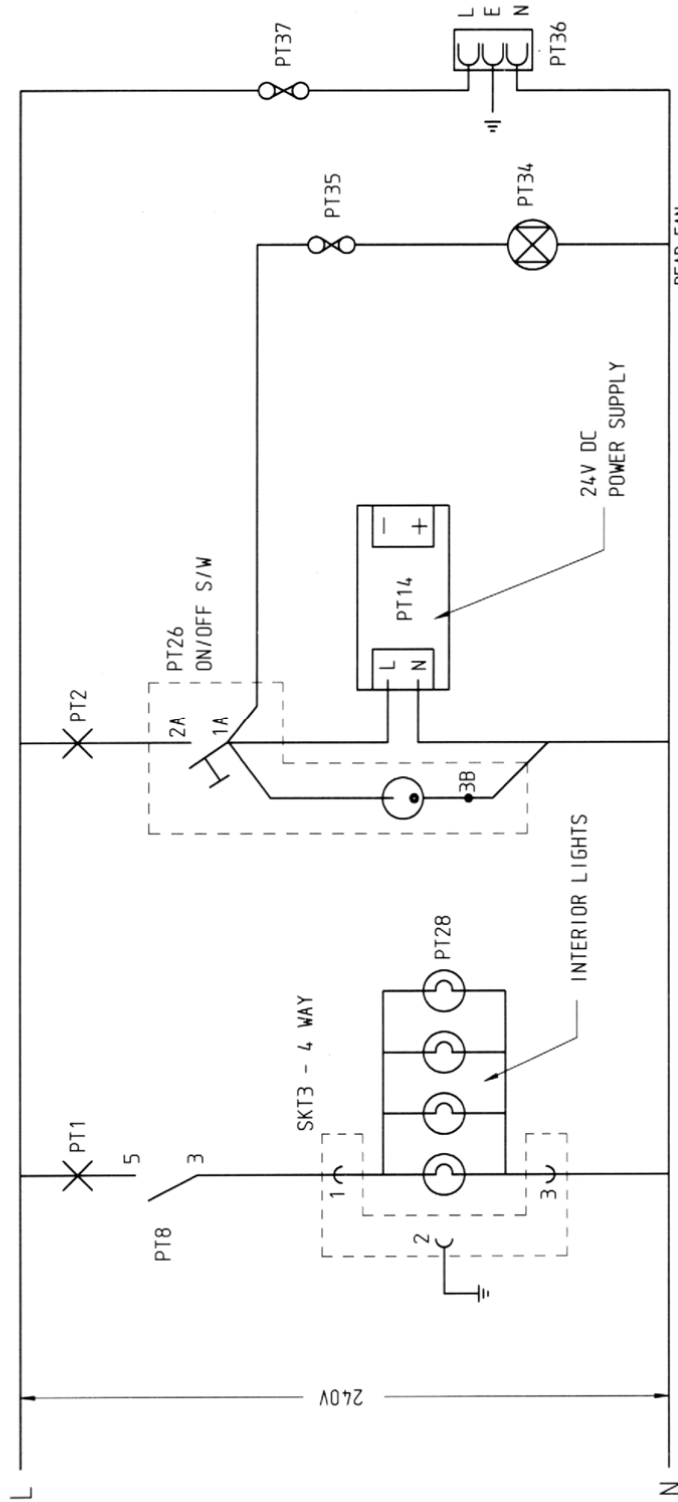
IF IN ANY DOUBT - ASK



REV	SIG	DATE	REVISION	ECN NO.
MONO EQUIPMENT		TITLE: BXC 10 TRAY mk3 OVEN P.C.B. OUTPUTS		
QUEENSWAY SWANSEA WEST IND PARK S45 4EB.		ECO/HALOGEN		
TEL: (01782) 561234 FAX: (01782) 561016		DRAWN: JC/RAC		
ELECTRICAL SPECIFICATIONS:-		ELECTRICALLY APPROVED BY:-		
4.15V 3 PHASE 50Hz		DATE: 30-11-09		
		DRAWING NO. M150E25-75200		
		REV: --		

COPYRIGHT © 1998 - THIS DESIGN/DRAWING IS THE PROPERTY OF MONO EQUIPMENT LTD. AND MUST NOT BE REPRODUCED, COPIED, NOR ITS CONTENTS DIVULGED WITHOUT PRIOR WRITTEN PERMISSION.

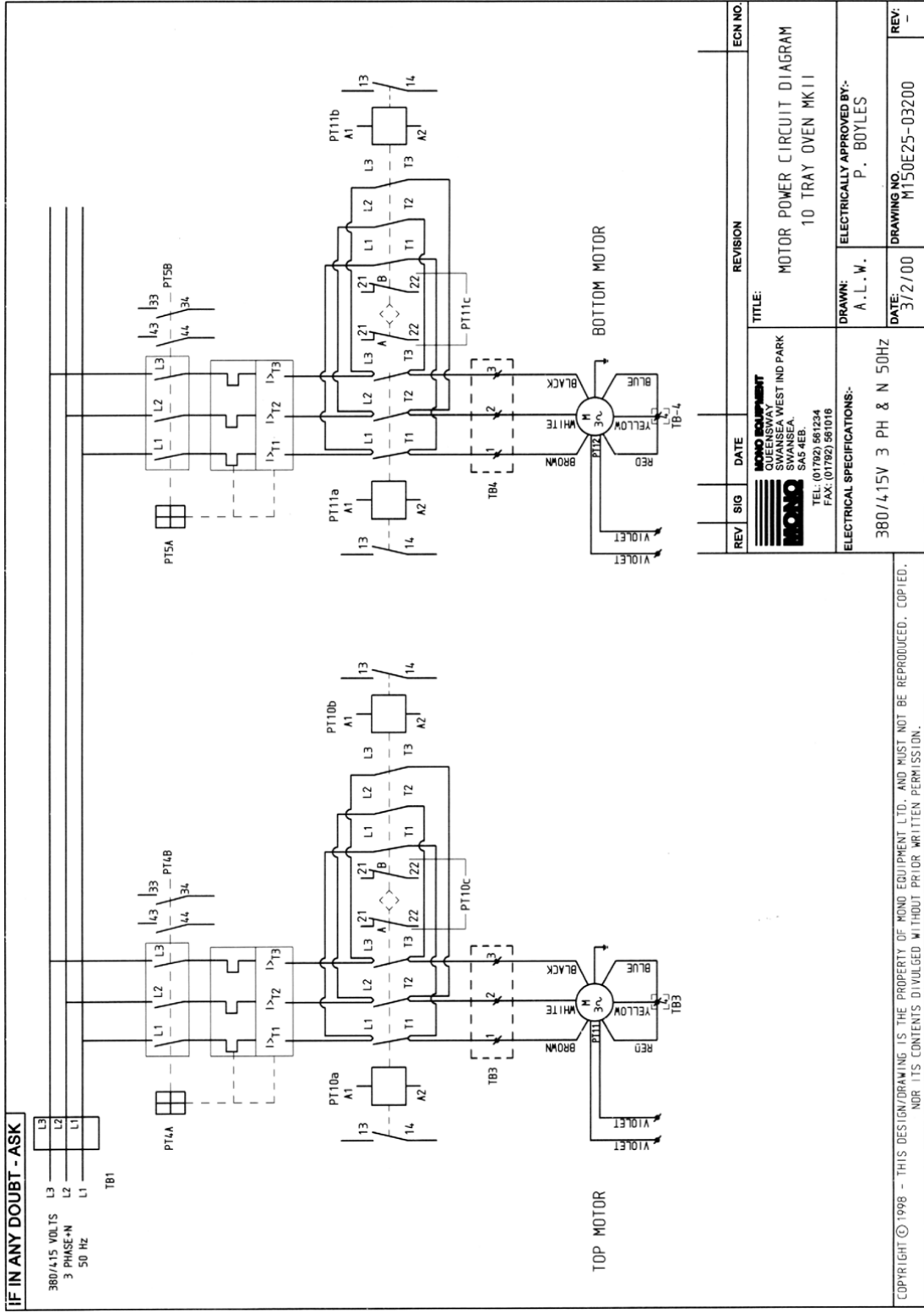
IF IN ANY DOUBT - ASK



REV	SIG	DATE	REVISION	ECN NO.
D	RAC	22-2-07	PT36 & PT37 ADDED	2946
C	JC	22-11-04	PT-26a-d WAS B801-xx (SEE LIST)	2329
B	JC	25-9-03	SWITCH (PT-26) CHANGED	2057
A	JC	14-2-03	EXISTING SMALL FAN DELETED (IN CONJUNCTION WITH ECN 1925)	1927

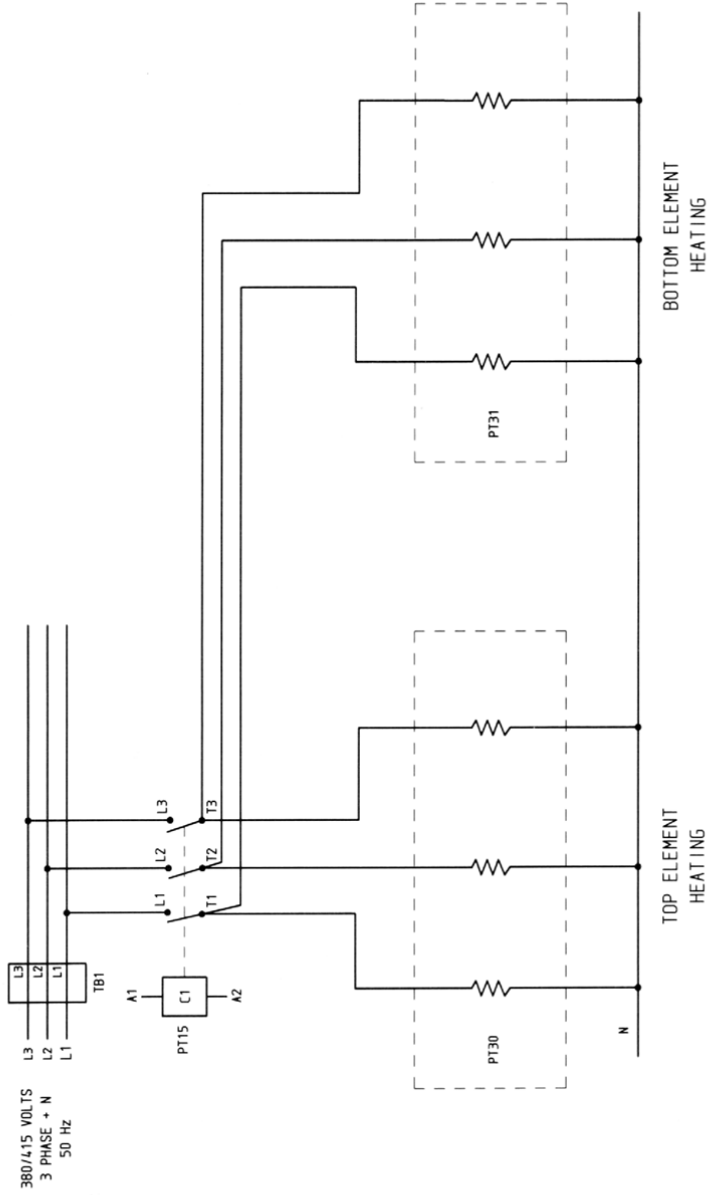
		TITLE: BXC 10 TRAY OVEN INTERIOR LIGHT & POWER SUPPLY CIRCUIT	
MOND EQUIPMENT SIVANSEA WEST IND PARK SIVANSEA. SA5 4EB. TEL: (01792) 561234 FAX: (01792) 561016		DRAWN: J6J/JC ELECTRICALLY APPROVED BY: P. BOYLES	
ELECTRICAL SPECIFICATIONS:-		DRAWING NO: M150E25-51300 DATE: 9-11-01 REV: D	

COPYRIGHT © 1998 - THIS DESIGN/DRAWING IS THE PROPERTY OF MOND EQUIPMENT LTD. AND MUST NOT BE REPRODUCED, COPIED, NOR ITS CONTENTS DIVULGED WITHOUT PRIOR WRITTEN PERMISSION.



COPYRIGHT © 1998 - THIS DESIGN/DRAWING IS THE PROPERTY OF MOND EQUIPMENT LTD. AND MUST NOT BE REPRODUCED. COPIED.
NDR ITS CONTENTS DIVULGED WITHOUT PRIOR WRITTEN PERMISSION.

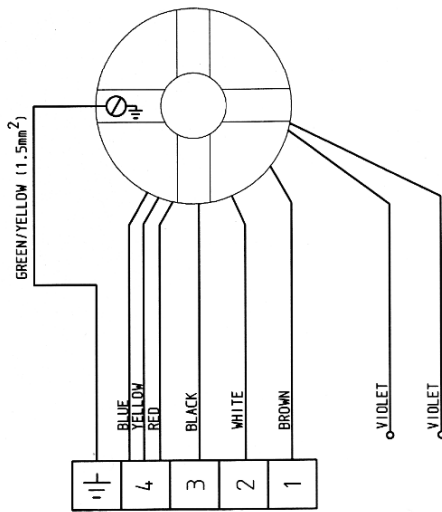
IF IN ANY DOUBT - ASK



REV	SIG	DATE	REVISION	ECN NO.
A		22-2-07	PT21 & PT22 O/HEAT THERMOSTATS REMOVED	2946
		MONO EQUIPMENT QUEENSWAY SWANSEA WEST IND PARK SWANSEA, SA6 4EB. TEL: (01782) 981234 FAX: (01782) 381018		
ELECTRICAL SPECIFICATIONS:-		TITLE:		
380/415V 3 PHASE+N 50Hz		HEATING POWER CIRCUIT DIAGRAM 10 TRAY OVEN MK11		
DRAWN:		ELECTRICALLY APPROVED BY:-		
A. L. W.		P. BOYLES		
DATE:		DRAWING NO.		
3/7/00		M150E25-03300		
REV:		REV:		
A		A		

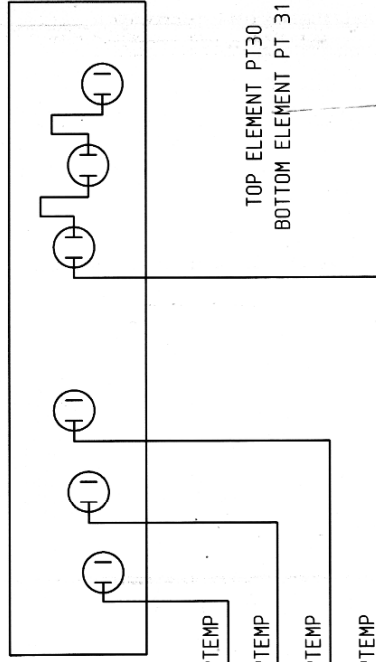
COPYRIGHT © 1998 - THIS DESIGN/DRAWING IS THE PROPERTY OF MONO EQUIPMENT LTD. AND MUST NOT BE REPRODUCED, COPIED, NOR ITS CONTENTS DIVULGED WITHOUT PRIOR WRITTEN PERMISSION.

IF IN ANY DOUBT - ASK



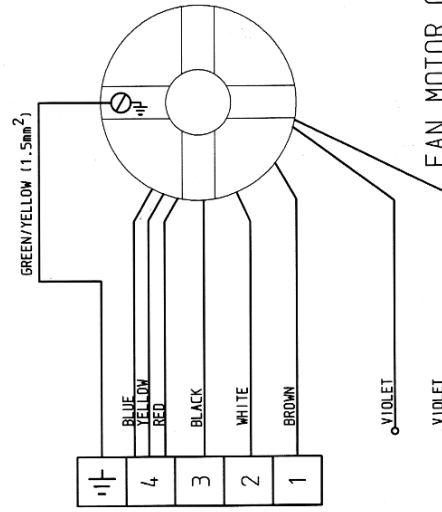
TOP MOTOR PT 18

- L1 1.5 mm² PTEMP
- L2 1.5 mm² PTEMP
- L3 1.5 mm² PTEMP
- N 1.5 mm² PTEMP



TOP ELEMENT PT30
BOTTOM ELEMENT PT 31

HEATING ELEMENT WIRING



BOTTOM MOTOR PT 19

FAN MOTOR CONNECTIONS

(MOTORS DID RUN OPPOSITE DIRECTIONS ON EARLY MODELS)
 COPYRIGHT © 1998 - THIS DESIGN/DRAWING IS THE PROPERTY OF HOND EQUIPMENT LTD. AND MUST NOT BE REPRODUCED, COPIED,
 NOR ITS CONTENTS DIVULGED WITHOUT PRIOR WRITTEN PERMISSION.

REV	SIG	DATE	REVISION	ECN NO.
			FAN MOTOR CONNECTIONS & HEATING ELEMENT WIRING 10 TRAY OVEN	
MONO EQUIPMENT QUEENSWAY SWANSEA WEST IND PARK SWANSEA, SA5 4EB. TEL: (01792) 551234 FAX: (01792) 551018			TITLE: FAN MOTOR CONNECTIONS & HEATING ELEMENT WIRING 10 TRAY OVEN	
ELECTRICAL SPECIFICATIONS:-			DRAWN: A.L.W. ELECTRICALLY APPROVED BY: P. BOYLES	
380/415V 3PH+N 50HZ			DATE: 3/2/00 DRAWING NO. M150E25-034.00	
			REV: -	

FG156

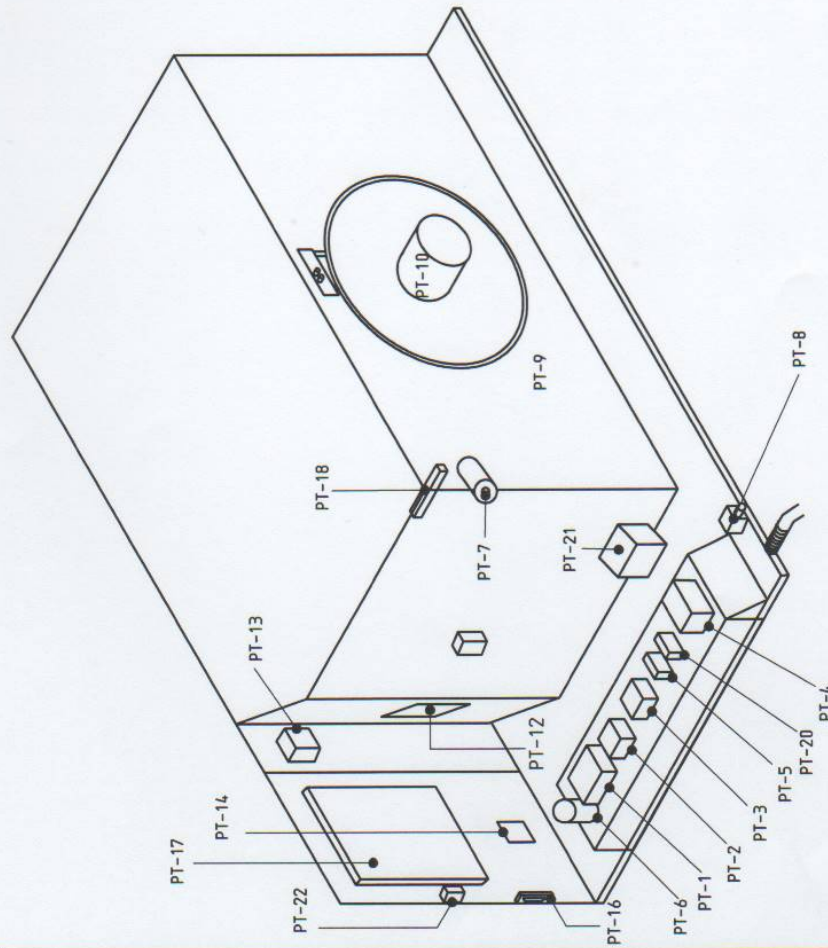
2 TRAY

M156E25-75000	COMPONENTS
M156E25-11600	CONTROL AND POWER CIRCUIT
M156E25-71200	PCB CONNECTIONS
M156E25-75100	PCB OUTPUTS

FOR ENGINEERS USE ONLY.
DO NOT ATTEMPT ANY ALTERATIONS.
IF IN DOUBT, CONTACT MONO FOR ADVICE

SECTION 2

IF IN ANY DOUBT - ASK



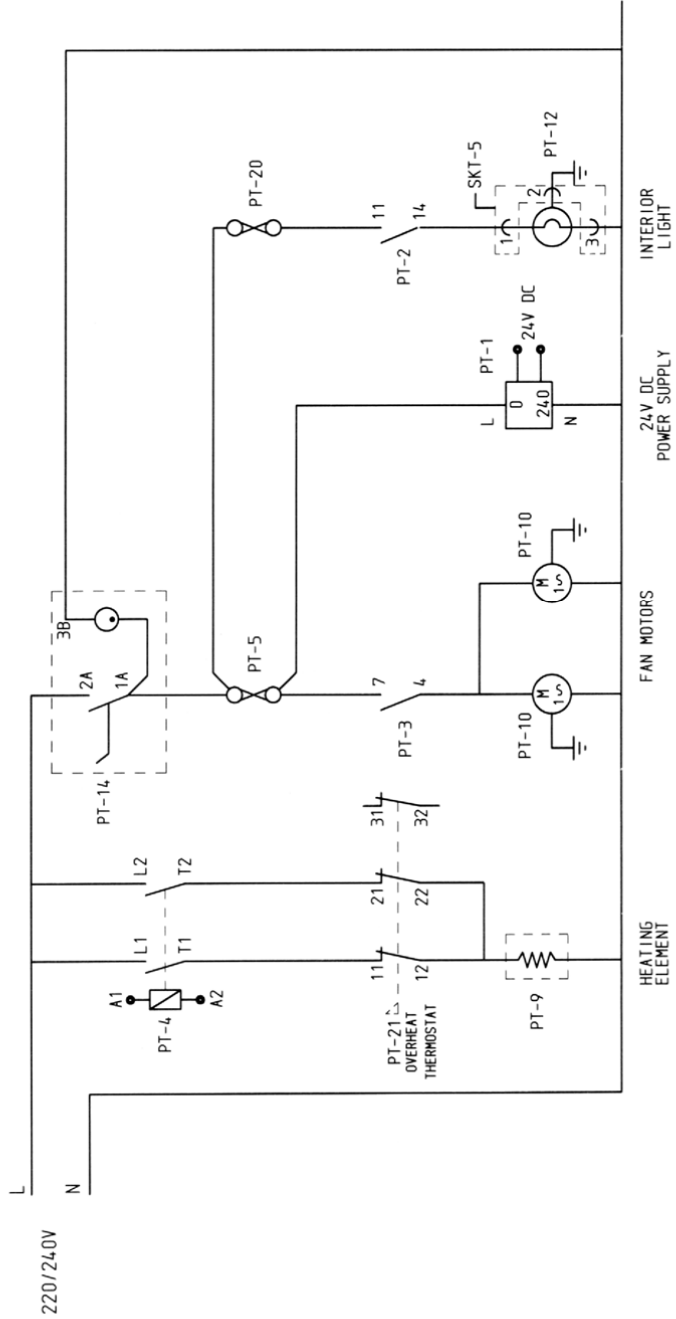
DRAWING PT-Ref	DESCRIPTION	MONO PART NUMBER
PT-1	24V DC POWER SUPPLY	B801-93-005
PT-2	INTERNAL LIGHT RELAY	B723-37-001
PT-3	FAN MOTOR RELAY	B723-37-002
PT-4	HEATING ELEMENT CONTACTOR	B801-08-021
PT-5	CONTROL FUSE	B842-85-039
PT-6	BUZZER (OPTION)	B982-92-001
PT-7	DAMPER SOLENOID	B749-83-003
PT-8	2T WATER INLET ASSY	156-37-00400
* PT-9	HEATING ELEMENT (220V)	B847-04-053
* PT-9	HEATING ELEMENT (240V)	B847-04-117
PT-10	FAN MOTOR	B720-74-004
PT-12a	INTERIOR LIGHT UNIT	B721-67-011
PT-12b	INTERIOR LIGHT BULB	B857-94-007
PT-13	DOOR SWITCH	B842-07-037
PT-14	ON/OFF SWITCH	B836-07-004
PT-16	DATA LINK SOCKET LEAD	B705-25-005
PT-17a	PCB ASSEMBLY	M158-25-80000
PT-18	OVEN THERMOCOUPLE	B873-95-002
PT-20	INTERIOR LIGHT FUSE	B842-85-042
PT-21	OVERHEAT THERMOSTAT	B888-30-014
PT-22	SPEAKER	B842-92-005

REV	SIG	DATE	REVISION	ECN NO.
A	JC	02-05-19	PT-13 WAS B842-07-023	BK-007-18-19

 MONO EQUIPMENT QUEENSWAY SWANSEA WEST IND PARK SWANSEA, SA5 4EB. TEL: (01792) 561234 FAX: (01792) 561016	TITLE: ELECTRICAL COMPONENTS LAYOUT 2 TRAY 1 PHASE COLOUR ECO/HALOGEN
ELECTRICAL SPECIFICATIONS:- 220/240V 1 PHASE	DRAWN: JC/RAC DATE: 30-11-09
ELECTRICALLY APPROVED BY:-	
DRAWING NO. M156E25-75000	
REV: A	

COPYRIGHT © 1998 - THIS DESIGN/DRAWING IS THE PROPERTY OF MONO EQUIPMENT LTD. AND MUST NOT BE REPRODUCED, COPIED, NOR ITS CONTENTS DIVULGED WITHOUT PRIOR WRITTEN PERMISSION.

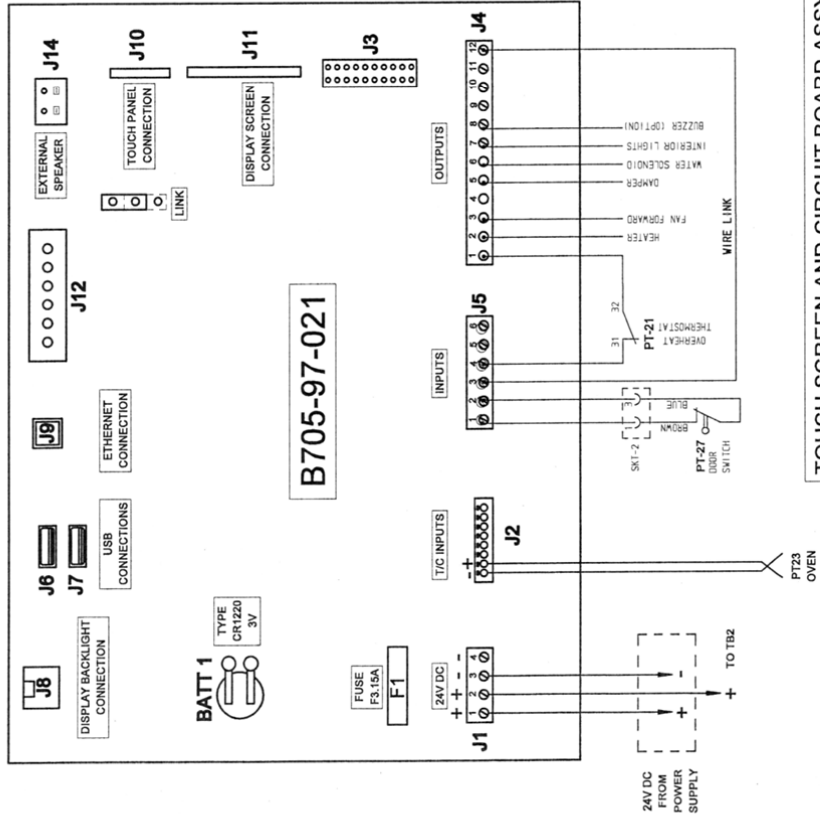
IF IN ANY DOUBT - ASK



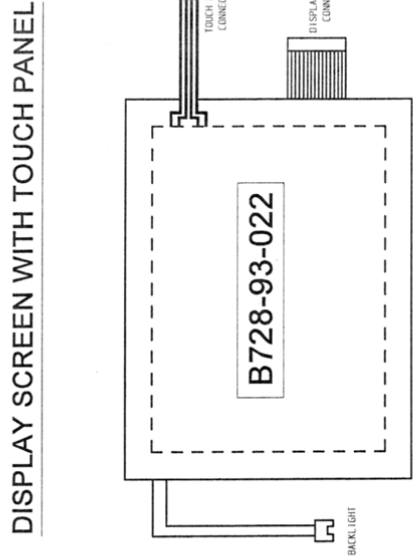
REV	SIG	DATE	REVISION	ECN NO.
B	JC	29-9-03	PT14 WIRED IN CONJUNCTION WITH ECN 2055-2057	2058
A	ALW	8-11-96	SKT-5 ADDED	01/52
<p>MOND EQUIPMENT QUEENSWAY SWANSEA WEST IND PARK SWANSEA SA5 4EB. TEL: (01792) 961234 FAX: (01792) 351016</p>				
<p>TITLE: CONTROL & POWER CIRCUIT DIAGRAM FOR 220/240V 1 PHASE 2 TRAY</p>				
<p>ELECTRICAL SPECIFICATIONS:- 220/240V 1 PHASE</p>				
<p>DRAWN: A.L.W. ELECTRICALLY APPROVED BY:- P. BOYLES</p>				
<p>DATE: 12-6-96 DRAWING NO: M156E25-11600</p>				
<p>REV: B</p>				

COPYRIGHT © 1998 - THIS DESIGN/DRAWING IS THE PROPERTY OF MOND EQUIPMENT LTD. AND MUST NOT BE REPRODUCED, COPIED, NOR ITS CONTENTS DIVULGED WITHOUT PRIOR WRITTEN PERMISSION.

IF IN ANY DOUBT - ASK



B705-97-021



VIEW FROM REAR

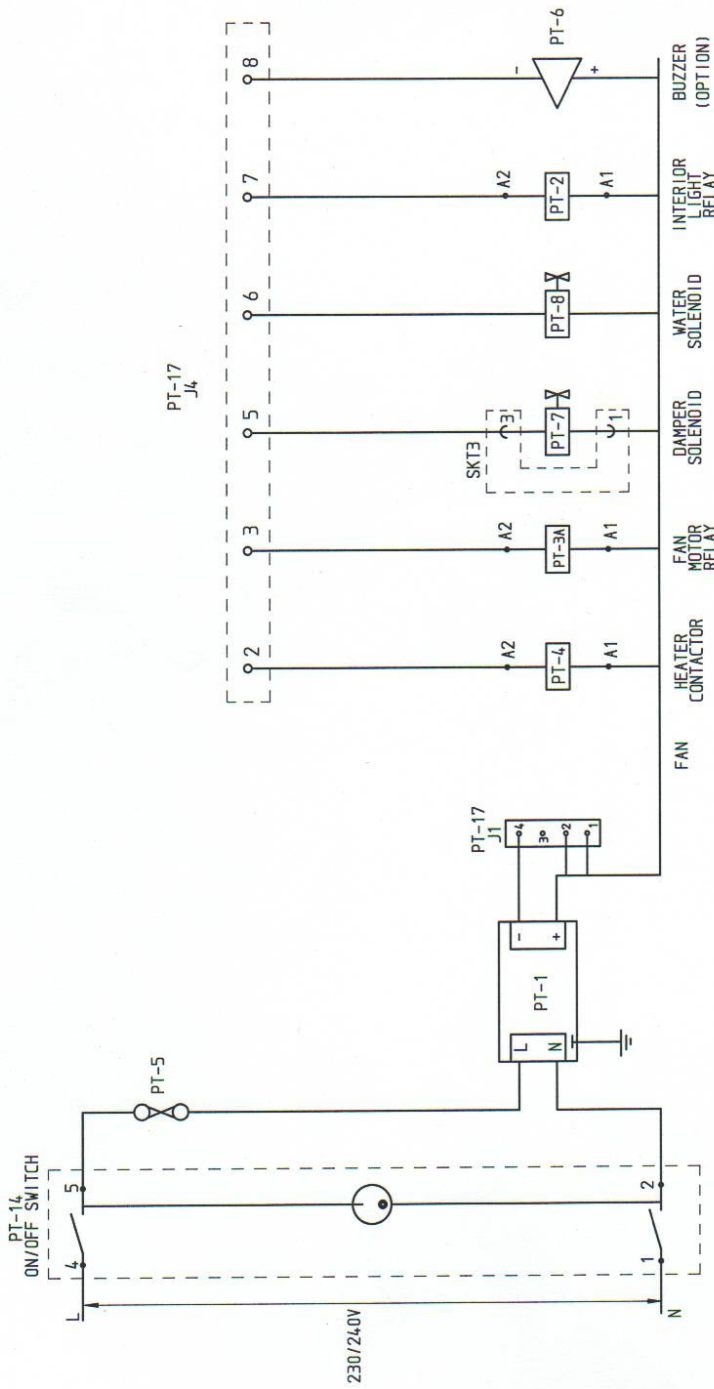
REV	SIG	DATE	REVISION	ECN NO.
			ECO TOUCH	
<p>MONO EQUIPMENT QUEENSWAY 100 WILSON AVENUE SWANSEA SA5 4EB. TEL: (01782) 561234 FAX: (01782) 561016</p>				
<p>MONO</p>				
<p>TITLE: ECO TOUCH MAIN PCB/SCREEN LAYOUT (TOUCAN) DRAWN: RAC ELECTRICALLY APPROVED BY:- AT</p>				
<p>ELECTRICAL SPECIFICATIONS:-</p>				
<p>DATE: 19/11/09 DRAWING NO. M156E25-71200 REV: ...</p>				

TOUCH SCREEN AND CIRCUIT BOARD ASSY
 MONO STOCK No. M158-25-80000
 CONSISTING OF:
 M158-25-12500 PANEL MOUNTING PLATE
 B728-93-022 TOUCH SCREEN
 B705-97-021 CIRCUIT BOARD

USB CABLE PT No B705-25-007

COPYRIGHT © 1998 - THIS DESIGN/DRAWING IS THE PROPERTY OF MONO EQUIPMENT LTD. AND MUST NOT BE REPRODUCED, COPIED, NOR ITS CONTENTS DIVULGED WITHOUT PRIOR WRITTEN PERMISSION.

IF IN ANY DOUBT - ASK



REV	SIG	DATE	REVISION	ECN NO.
<p>MONO EQUIPMENT QUEENSWAY SWANSEA WEST IND PARK SWANSEA, SA6 4EB, W. SUSSEX. TEL: (01792) 861034 FAX: (01792) 861016</p>				
<p>TITLE: P.C.B. OUTPUTS 2 TRAY COLOUR TWO-WAY FAN</p>				
<p>ELECTRICAL SPECIFICATIONS:- ECO/HALOGEN DRAWN: RAC ELECTRICALLY APPROVED BY:- AT</p>				
<p>DATE: 30-11-09 DRAWING NO.: M156E25-75100</p>				

Copyright © 1998 - This design/drawing is the property of Mono Equipment Ltd. and must not be reproduced, copied, nor its contents divulged without prior written permission.

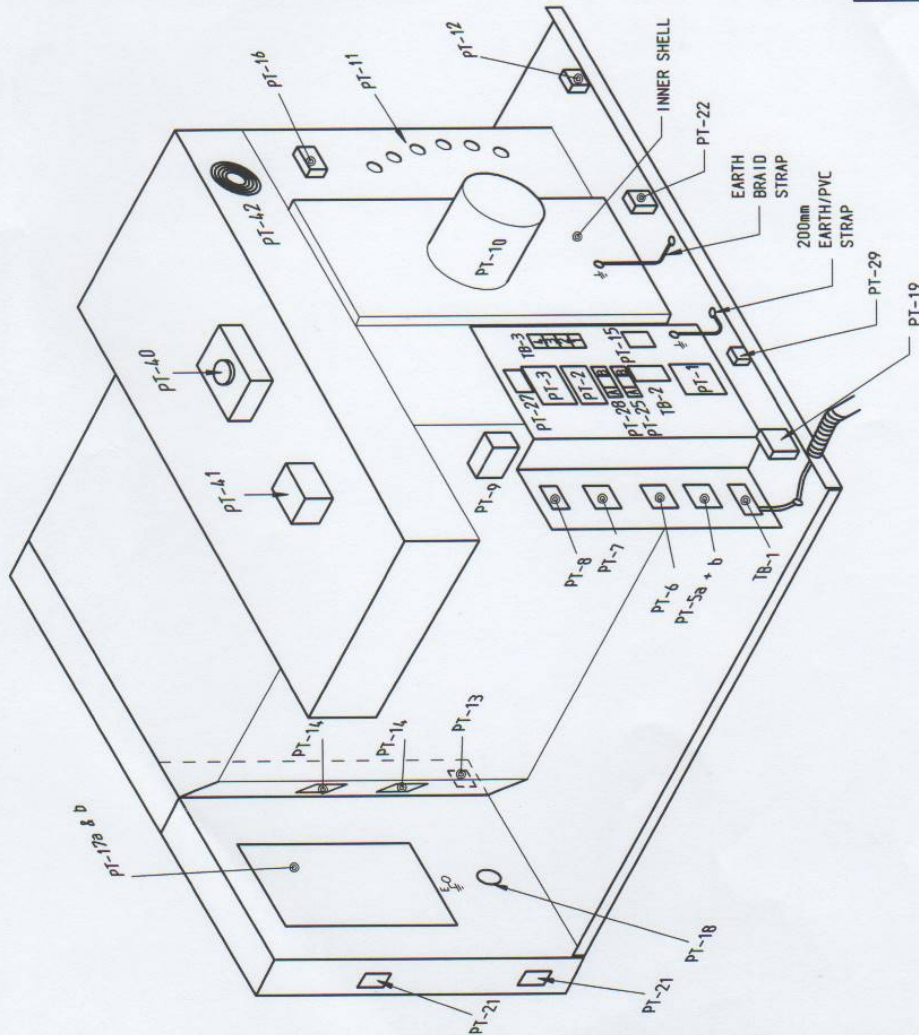
FG153/158/159 ECO-TOUCH 4 TRAY

M159E25-75000	COMPONENTS (159 ONLY)
M159E25-11100	CONTROL CIRCUIT (159 ONLY)
M158E25-75200	COMPONENTS (153/158 ONLY)
M158E25-20700	CONTROL CIRCUIT (153/158 ONLY)
M158E25-71200	PCB CONNECTIONS
M158E25-75300	PCB OUTPUTS
M158E25-01800	POWER CIRCUIT
M158E25-20900	FAN AND ELEMENT WIRING

FOR ENGINEERS USE ONLY.
DO NOT ATTEMPT ANY ALTERATIONS.
IF IN DOUBT, CONTACT MONO FOR ADVICE

SECTION 3

IF IN ANY DOUBT - ASK



CONDENSER UNIT IF FITTED

PT-40 THERMOSTAT
PT-41 WATER SOLENOID
PT-42 FAN

8842-30-003
8867-83-011
8842-75-003

DRAWING	DESCRIPTION	MONO PART NUMBER
PT-1	24V DC POWER SUPPLY UNIT	8801-93-005
PT-2a	INTERIOR LIGHT RELAY	8723-37-004
PT-2b	INTERIOR LIGHT RELAY BASE	8723-36-001
PT-3	CONTROL CIRCUIT M.C.B.	8872-22-062
PT-5a	FAN MOTOR OVERLOAD UNIT	8801-03-020
PT-5b	FAN MOTOR OVERLOAD AUXILIARY CONTACT	8801-14-012
PT-6	FAN MOTOR FORWARD CONTACTOR	8801-08-031
PT-7	FAN MOTOR REVERSE CONTACTOR	8801-08-031
PT-8	HEATING ELEMENT CONTACTOR	8801-08-021
PT-9	DAMPER SOLENOID (L/H)	8749-83-003
PT-10	FAN MOTOR UNIT	8720-74-005
PT-11	HEATING ELEMENT (240v)	8847-04-068
PT-11	HEATING ELEMENT (220v)	8847-04-073
PT-12	4T WATER INLET ASSY	158-17-004.00
PT-13	DOOR SWITCH	8842-07-023
PT-14A	INTERIOR LIGHT UNIT	8721-67-011
PT-14B	INTERIOR LIGHT BULB	8857-94-007
PT-15	BUZZER (OPTION)	8723-92-002
PT-16	THERMOCOUPLE	8873-95-002
PT-17a	PCB ASSEMBLY	M158-25-80000
PT-17b	PCB ASSEMBLY	M158-25-80000
PT-18	PUSHBUTTON - GREEN	8836-07-004
PT-19	REAR COOLING FAN	8869-75-018
PT-21	USB SOCKET-CABLE	8705-25-001
PT-22	OVERHEAT THERMOSTAT	8888-30-014
PT-25	INTERNAL LIGHT FUSE	8842-85-042
PT-27	FAN FUSE	8842-85-025
PT-28	AUX FUSE	8842-85-039
PT-29	AUX SUPPLY SOCKET	8970-06-001
PT-30	SPEAKER	8842-92-005

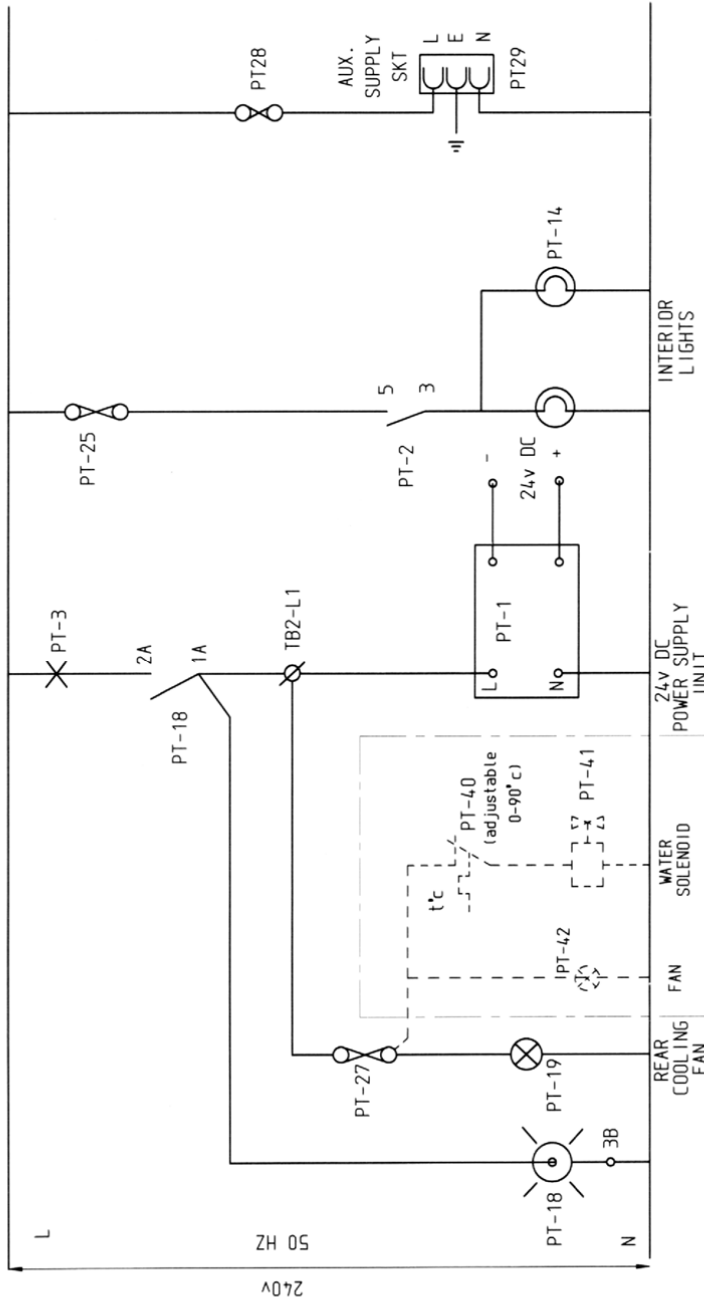
DRAWING	DESCRIPTION	MONO PART NUMBER
PT-40	THERMOSTAT	8842-30-003
PT-41	WATER SOLENOID	8867-83-011
PT-42	FAN	8842-75-003

REV	SIG	DATE	REVISION	ECN NO.
C	JC	02-05-19	PT-13 WAS 8842-07-023	BX-007-18-19
B	JC	27-11-18	PT10 WAS 8720-74-001	BX-009-17-18
A	JC	22-1-03	PT-27 AND WIRING FOR REAR FAN UNIT ADDED	1927

<p>MONO EQUIPMENT QUEENSWAY SWANSEA WEST IND PARK SWANSEA, SAS 4EB. TEL: (01792) 861234 FAX: (01792) 861018</p>	<p>TITLE: ELECTRICAL COMPONENTS LAYOUT BXC 4-318 OVEN ECO/HALOGEN</p>
<p>ELECTRICAL SPECIFICATIONS:- 380/415V 3PH 50Hz</p>	<p>DRAWN: JC/RAC ELECTRICALLY APPROVED BY:-</p>
<p>DATE: 1-12-09</p>	<p>DRAWING NO. M159E25-75000</p>
<p>REV: C</p>	<p>REV: C</p>

COPYRIGHT © 1998 - THIS DESIGN/DRAWING IS THE PROPERTY OF MONO EQUIPMENT LTD. AND MUST NOT BE REPRODUCED, COPIED, NOR ITS CONTENTS DIVULGED WITHOUT PRIOR WRITTEN PERMISSION.

IF IN ANY DOUBT - ASK

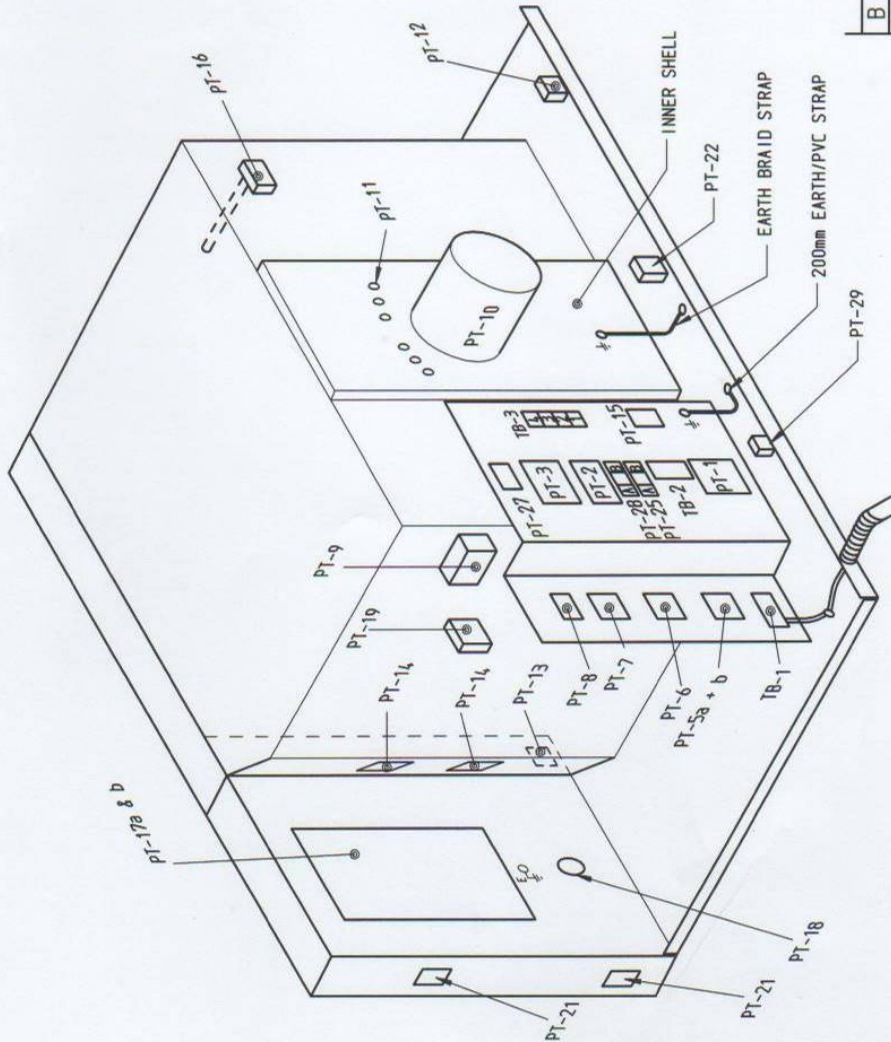


REV	SIG	DATE	REVISION	ECN NO.
C	JC	27-03-07	PT-28 & 29 ADDED	2946
B	JC	22-11-04	PT-18 CHANGED	2329
A	JC	29-9-03	SWITCH (PT18) CHANGED	2057

MONO EQUIPMENT QUEENSWAY WEST IND PARK SWANSEA SA5 4EB. TEL: (01792) 561234 FAX: (01792) 561016		TITLE: BXC 4 TRAY OVEN CONTROL CIRCUIT (WITH CONDENSER IF FITTED)
ELECTRICAL SPECIFICATIONS:-		DRAWN: JC
ELECTRICALLY APPROVED BY:- P. BOYLES		DATE: 27-1-03
DRAWING NO. M159E25-11100		REV: C

COPYRIGHT © 1998 - THIS DESIGN/DRAWING IS THE PROPERTY OF MONO EQUIPMENT LTD. AND MUST NOT BE REPRODUCED, COPIED, NOR ITS CONTENTS DIVULGED WITHOUT PRIOR WRITTEN PERMISSION.

IF IN ANY DOUBT - ASK



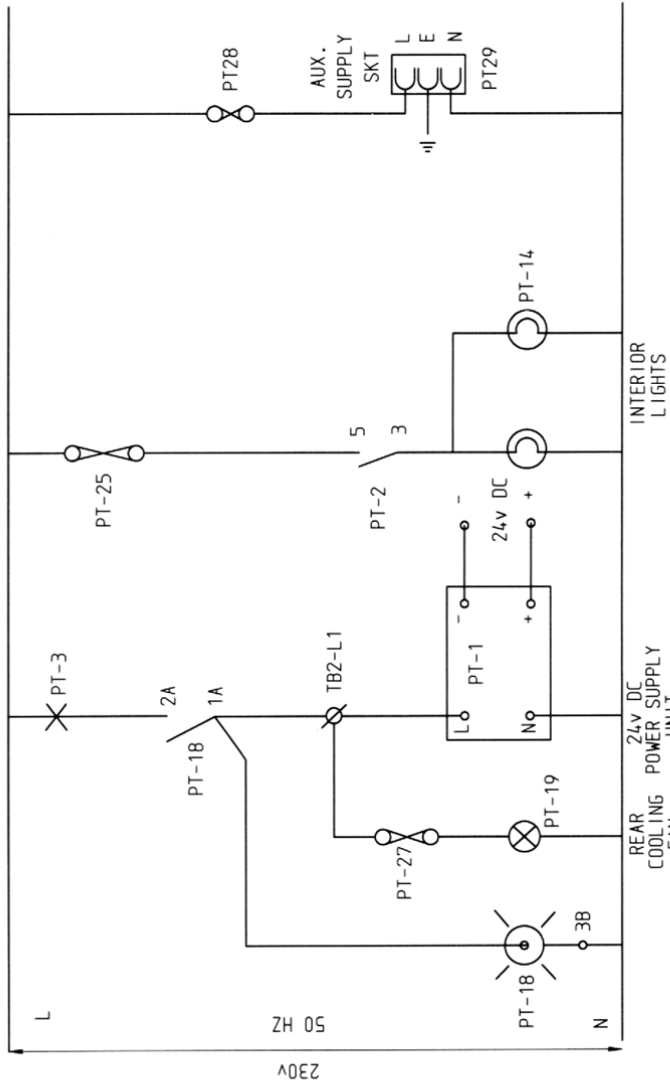
DRAWING PT-Ref	DESCRIPTION	MONO PART NUMBER
PT-1	24V DC POWER SUPPLY UNIT	8801-93-005
PT-2a	INTERIOR LIGHT RELAY	8723-37-004
PT-2b	INTERIOR LIGHT RELAY BASE	8723-36-001
PT-3	CONTROL CIRCUIT M.C.B.	8872-22-062
PT-5a	FAN MOTOR OVERLOAD UNIT	8801-03-020
PT-5b	FAN MOTOR OVERLOAD AUXILIARY CONTACT	8801-14-012
PT-6	FAN MOTOR FORWARD CONTACTOR	8801-08-031
PT-7	FAN MOTOR REVERSE CONTACTOR	8801-08-021
PT-8	HEATING ELEMENT (L/H)	8801-08-001
PT-9	DAMPER SOLENOID (L/H)	{8749-83-003
PT-10	FAN MOTOR UNIT	8720-74-005
* PT-11	HEATING ELEMENT (240v)	8847-04-067
* PT-11	HEATING ELEMENT (220v)	8847-04-074
PT-12	4T WATER INLET ASSY	158-17-00400
PT-13	DOOR SWITCH	8842-07-037
PT-14a	INTERIOR LIGHT UNIT	8721-67-011
PT-14b	INTERIOR LIGHT BULB	8857-94-007
PT-15	BUZZER (OPTION)	8723-92-002
PT-16	THERMOCOUPLE	8873-95-002
PT-17a	PCB ASSEMBLY	M158-25-80000
PT-17b	PUSHBUTTON-GREEN-LATCHING	8836-07-004
PT-18	REAR COOLING FAN	8869-75-018
PT-19	DATA LINK SOCKET-CABLE	8705-25-005
PT-21	OVERHEAT THERMOSTAT	8888-30-014
PT-22	INTERNAL LIGHT FUSE	8842-85-042
PT-25	FAN FUSE	8842-85-025
PT-27	AUX FUSE	8842-85-039
PT-28	AUX SUPPLY SOCKET	8970-06-001
PT-29	SPEAKER	8842-92-005
PT-30		

REV	SIG	DATE	REVISION	ECN NO.
B	JC	02-05-19	PT-13 WAS 8842-07-023	BX-007-18-19
A	JC	27-11-18	PT-10 WAS 8720-74-001	BX-007-18-19

MONO EQUIPMENT QUEENSWAY SWANSEA WEST IND PARK SWANSEA, SA5 4EB. TEL: (01792) 561234 FAX: (01792) 561016		TITLE: ELECTRICAL COMPONENTS LAYOUT BXC 4 TRAY OVEN ECO/HALOGEN
ELECTRICAL SPECIFICATIONS:- 380/415V 3PH 50HZ		DRAWN: JC/RAC ELECTRICALLY APPROVED BY:-
DATE: 1-12-09		DRAWING NO: M158E25-75200
		REV: B

REV	SIG	DATE	REVISION	ECN NO.
COPYRIGHT © 1998 - THIS DESIGN/DRAWING IS THE PROPERTY OF MONO EQUIPMENT LTD. AND MUST NOT BE REPRODUCED. COPIED. NOR ITS CONTENTS DIVULGED WITHOUT PRIOR WRITTEN PERMISSION.				

IF IN ANY DOUBT - ASK

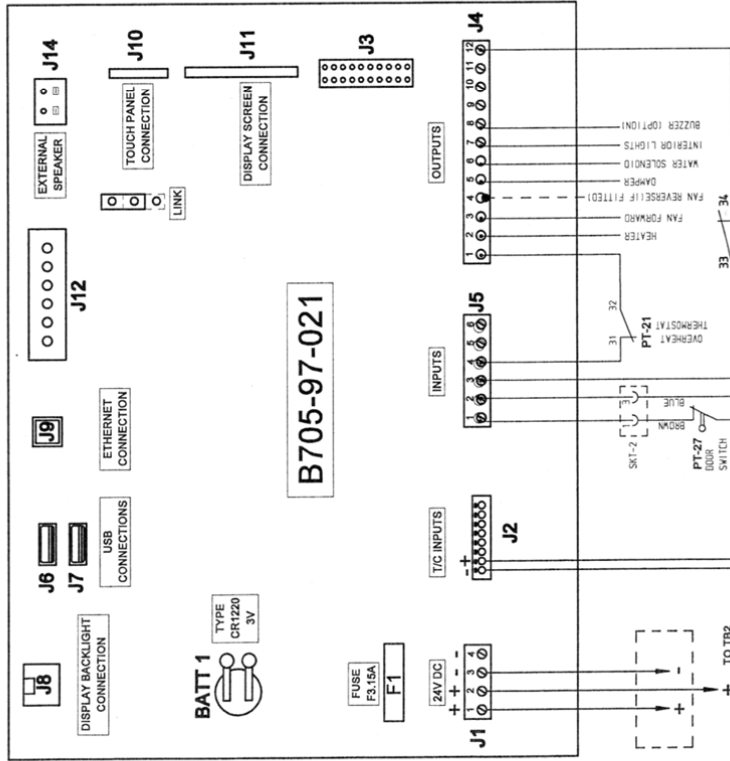


REV	SIG	DATE	REVISION	ECN NO.
D	JC	27-03-07	PT-28 & 29 ADDED	2946
C	JC	22-11-04	PT-18 CHANGED	2329
B	JC	25-9-03	SWITCH (PT-18) CHANGED	2057
A	JC	22-1-03	ADD WIRING FOR REAR FAN UNIT	1927

MOND EQUIPMENT QUEENSWAY 10/11 WEST IND PARK SWANSEA SA5 4EB TEL: 01792 581234 FAX: 01792 581016		TITLE: BX 4 TRAY OVEN CONTROL CIRCUIT
ELECTRICAL SPECIFICATIONS:- DRAWN: JC		ELECTRICALLY APPROVED BY:- P. BOYLES
DATE: 14/12/01		DRAWING NO. M158E25-20700
REV: D		REV: D

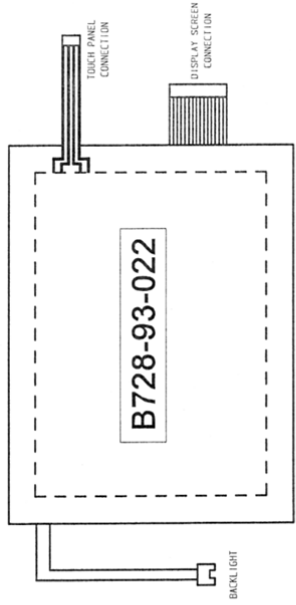
COPYRIGHT © 1998 - THIS DESIGN/DRAWING IS THE PROPERTY OF MOND EQUIPMENT LTD. AND MUST NOT BE REPRODUCED, COPIED, NOR ITS CONTENTS DIVULGED WITHOUT PRIOR WRITTEN PERMISSION.

IF IN ANY DOUBT - ASK



B705-97-021

DISPLAY SCREEN WITH TOUCH PANEL



VIEW FROM REAR

REV	SIG	DATE	REVISION	ECN NO.

MONO EQUIPMENT
 SWANSEA WEST IND PARK
 SWANSEA,
 SA5 4EB.
 TEL: (01782) 581234
 FAX: (01782) 581016

TITLE: ECO TOUCH
 MAIN PCB/SCREEN LAYOUT
 (TOUCAN)
4 TRAY

ELECTRICAL SPECIFICATIONS:-
 DRAWN: RAC
 ELECTRICALLY APPROVED BY:- AT

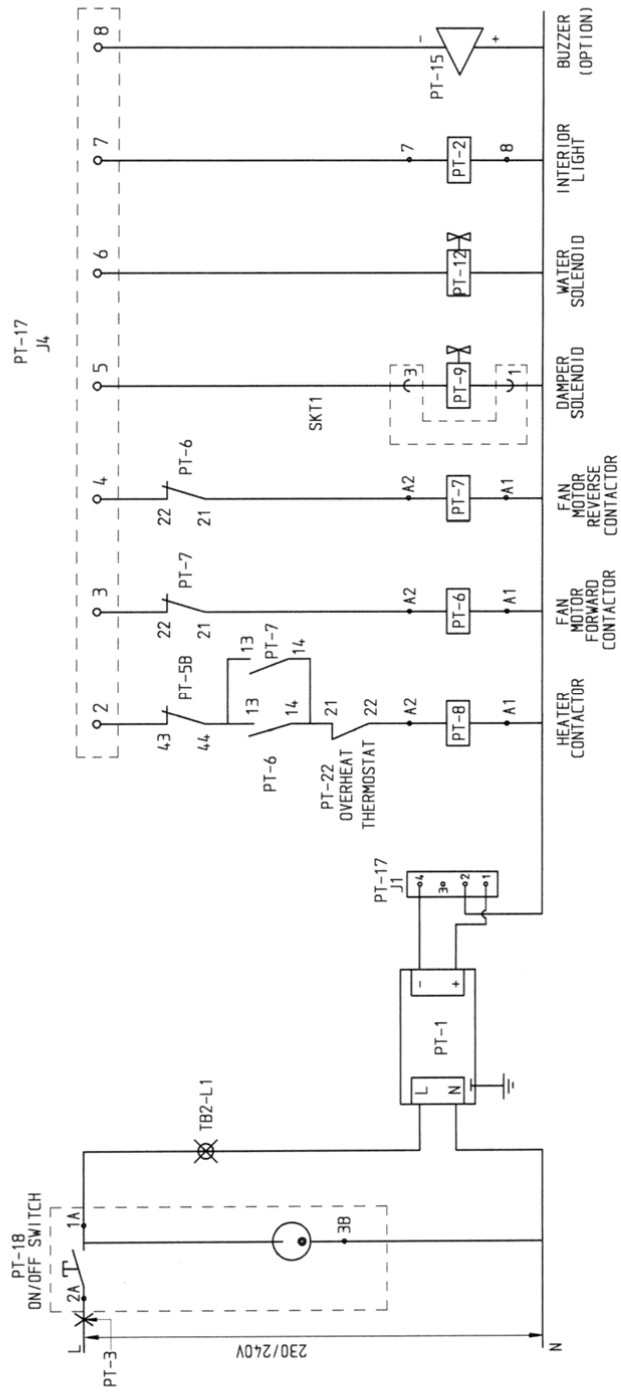
DATE: 19/11/09
DRAWING NO. M158E25-71200
REV: --

TOUCH SCREEN AND CIRCUIT BOARD ASSY
 MONO STOCK No. M158-25-80000
 CONSISTING OF:
 M158-25-12500 PANEL MOUNTING PLATE
 B728-93-022 TOUCH SCREEN
 B705-97-021 CIRCUIT BOARD

USB CABLE PT No B705-25-007

COPYRIGHT © 1998 - THIS DESIGN/DRAWING IS THE PROPERTY OF MONO EQUIPMENT LTD. AND MUST NOT BE REPRODUCED, COPIED, NOR ITS CONTENTS DIVULGED WITHOUT PRIOR WRITTEN PERMISSION.

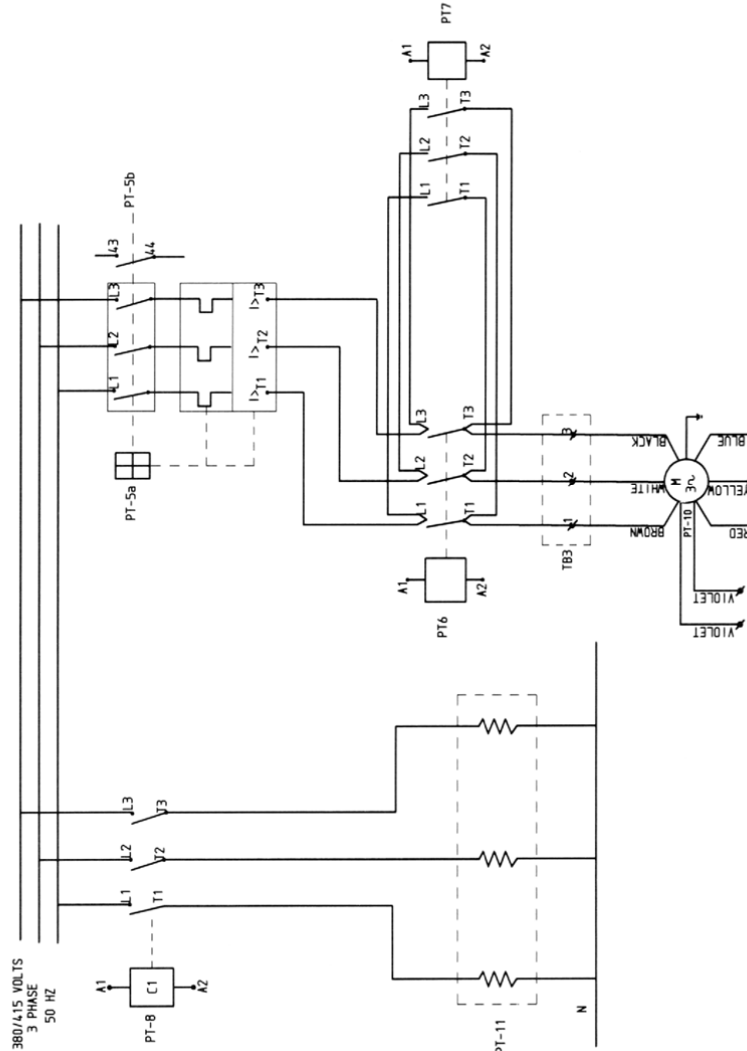
IF IN ANY DOUBT - ASK



REV	SIG	DATE	REVISION	ECN NO.

MOND EQUIPMENT QUEENSWAY SWANSEA WEST IND PARK SWANSEA SA6 4EB. TEL: (01792) 861234 FAX: (01792) 561016		TITLE: BXC 4 TRAY OVEN PCB OUTPUTS ECO/HALOGEN
ELECTRICAL SPECIFICATIONS:-		DRAWN: JC/RAC
ELECTRICALLY APPROVED BY:- P. BOYLES		DATE: 1-12-09
COPYRIGHT © 1998 - THIS DESIGN/DRAWING IS THE PROPERTY OF MOND EQUIPMENT LTD. AND MUST NOT BE REPRODUCED, COPIED, NOR ITS CONTENTS DIVULGED WITHOUT PRIOR WRITTEN PERMISSION.		DRAWING NO. M158E25-75300
		REV: --

IF IN ANY DOUBT - ASK

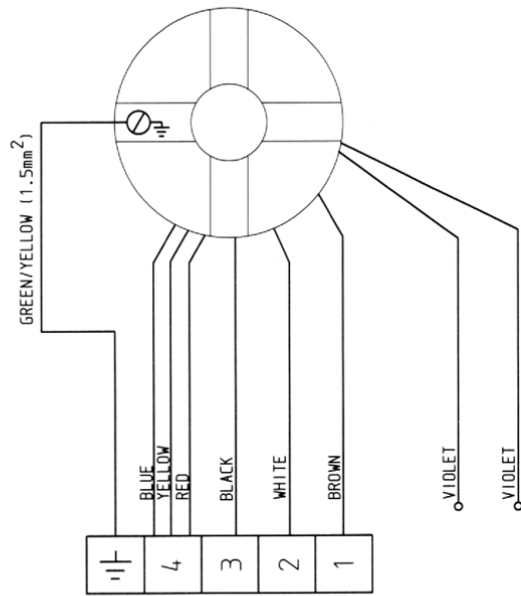


REV	SIG	DATE	REVISION	ECH NO.
A	JC	27-03-07	PT-22 REMOVED	2946

<p>MOND EQUIPMENT QUEENSWAY SWANSEA WEST IND PARK SWANSEA SAS AEB. TEL: (01792) 581234 FAX: (01792) 581018</p>	TITLE:
	POWER CIRCUIT DIAGRAM 4 TRAY OVEN
ELECTRICAL SPECIFICATIONS:-	DRAWN: MT
	DATE: 29-6-99
	DRAWING NO. M158E25-01800
	REV: A

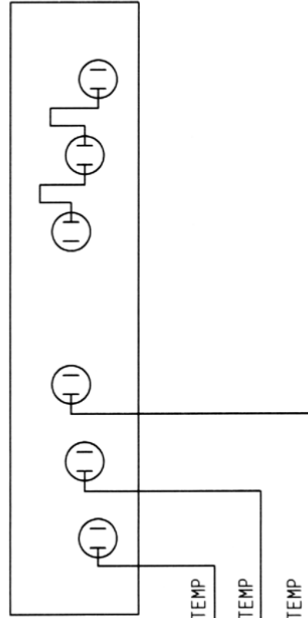
COPYRIGHT © 1998 - THIS DESIGN/DRAWING IS THE PROPERTY OF MOND EQUIPMENT LTD. AND MUST NOT BE REPRODUCED. COPIED.
 NOR ITS CONTENTS DIVULGED WITHOUT PRIOR WRITTEN PERMISSION.

IF IN ANY DOUBT - ASK



FAN MOTOR CONNECTIONS

PT11



HEATING ELEMENT WIRING

REV	SIG	DATE	REVISION	ECN NO.
			FAN MOTOR CONNECTIONS & HEATING ELEMENT WIRING 4 TRAY OVEN / COLOUR DISPLAY	
<p>MONO EQUIPMENT QUEENSWAY SWANSEA WEST IND PARK SWANSEA SAS, AEB. TEL: (01792) 581234 FAX: (01792) 581018</p>			<p>TITLE:</p>	
ELECTRICAL SPECIFICATIONS:-			DRAWN: JC	
415V 3PH 50HZ			ELECTRICALLY APPROVED BY:- P. BOYLES	
COPYRIGHT © 1998 - THIS DESIGN/DRAWING IS THE PROPERTY OF MONO EQUIPMENT LTD. AND MUST NOT BE REPRODUCED, COPIED, NDR ITS CONTENTS DIVULGED WITHOUT PRIOR WRITTEN PERMISSION.			DATE: 14-12-01	
			DRAWING NO. M158E25-20900	
			REV: -	

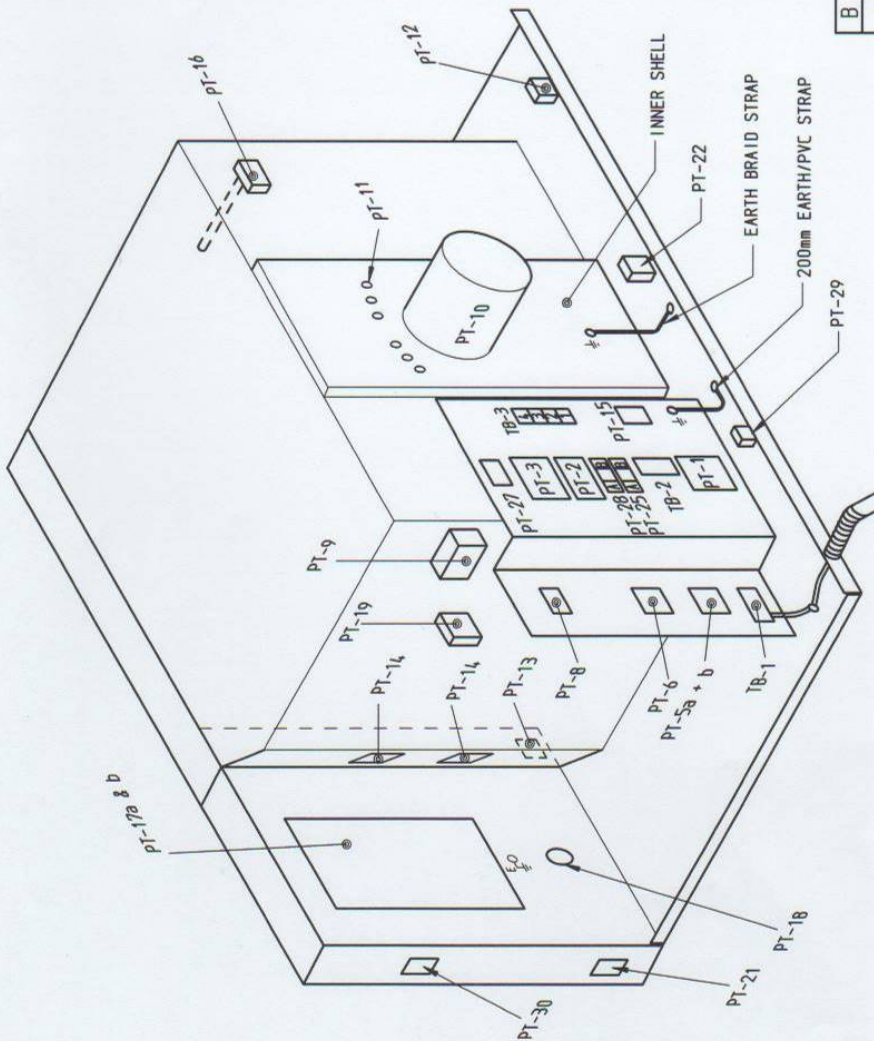
FG158 4 TRAY 1 phase

M158E25-75400	COMPONENTS
M158E25-71200	PCB CONNECTIONS
M158E25-20700	CONTROL CIRCUIT
M158E25-75500	PCB OUTPUTS
M158E25-51300	POWER CIRCUIT
M158E25-52200	FAN AND ELEMENT WIRING

FOR ENGINEERS USE ONLY.
DO NOT ATTEMPT ANY ALTERATIONS.
IF IN DOUBT, CONTACT MONO FOR ADVICE

SECTION 4

IF IN ANY DOUBT - ASK



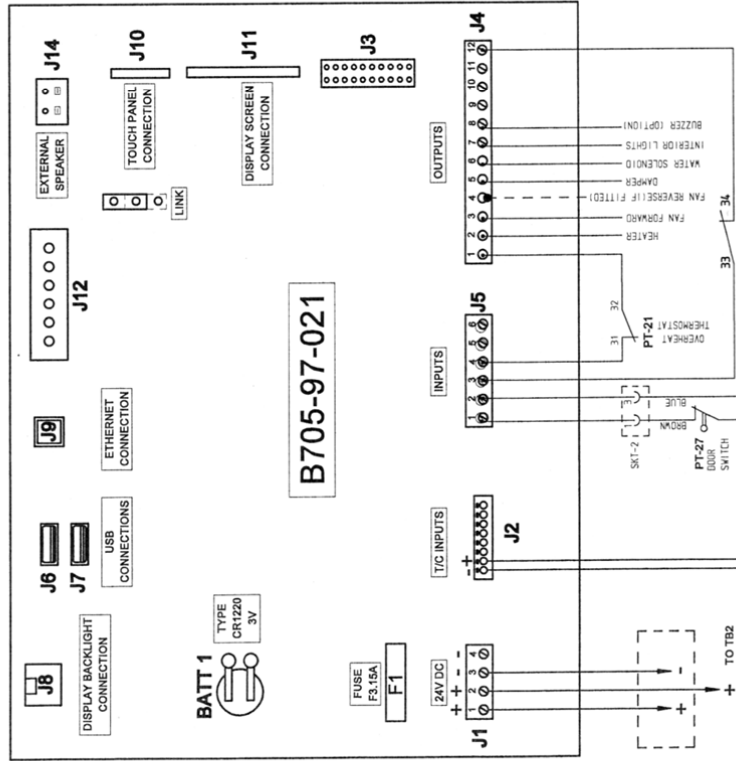
DRAWING PT-Ref	DESCRIPTION	MONO PART NUMBER
PT-1	24V DC POWER SUPPLY UNIT	8801-93-005
PT-2a	INTERIOR LIGHT RELAY	8723-37-004
PT-2b	INTERIOR LIGHT RELAY BASE	8723-36-001
PT-3	CONTROL CIRCUIT M.C.B.	8872-22-062
PT-5a	FAN MOTOR OVERLOAD UNIT	8801-03-020
PT-5b	FAN MOTOR OVERLOAD AUXILIARY CONTACT	8801-14-012
PT-6	FAN MOTOR CONTACTOR	8801-08-031
PT-8	HEATING ELEMENT CONTACTOR	8801-08-021
PT-9	DAMPER SOLENOID (L/H)	{ 8749-83-001
	DAMPER SOLENOID (R/H)	{ 8749-83-002
PT-10	FAN MOTOR UNIT	8720-74-005
* PT-11	HEATING ELEMENT (240v)	8847-04-067
* PT-12	HEATING ELEMENT (220v)	8847-04-074
PT-13	4T WATER INLET ASSY	158-17-00400
PT-14A	DOOR SWITCH	8842-07-023
PT-14B	INTERIOR LIGHT UNIT	8721-67-011
PT-15	INTERIOR LIGHT BULB	8657-94-007
PT-16	BUZZER (OPTION)	8723-92-002
PT-17a	THERMOCOUPLE	8873-95-002
PT-17b	PCB ASSEMBLY	M158-25-80000
PT-18	PUSHBUTTON-GREEN-LATCHING	8836-07-004
PT-19	REAR COOLING FAN	8869-75-018
PT-21	USB SOCKET-CABLE	8705-25-007
PT-22	OVERHEAT THERMOSTAT	8888-30-014
PT-25	INTERNAL LIGHT FUSE	8842-85-042
PT-27	FAN FUSE	8842-85-025
PT-28	AUX FUSE	8842-85-039
PT-29	AUX SUPPLY SOCKET	8970-04-001
PT-30	SPEAKER	8842-92-005

REV	SIG	DATE	REVISION	ECN NO.
B	JC	02-05-19	PT-13 WAS B842-07-023	BX-007-1B-19
A	JC	27-11-18	PT10 WAS B720-74-001	BX-009-1B-19

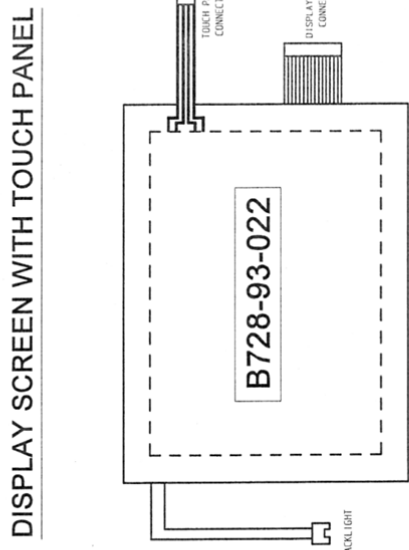
MONO EQUIPMENT QUEENSWAY SWANSEA WEST IND PARK SWANSEA, SA5 4EB. TEL: (01782) 561234 FAX: (01782) 561016		TITLE: ELECTRICAL COMPONENTS LAYOUT BXC 4 TRAY OVEN ECO/HALOGEN
ELECTRICAL SPECIFICATIONS:- 230V 1PH 50HZ		DRAWN: JC/RAC ELECTRICALLY APPROVED BY:-
DATE: 1-12-09		DRAWING NO. M158E25-754.00
		REV: B

COPYRIGHT © 1998 - THIS DESIGN/DRAWING IS THE PROPERTY OF MONO EQUIPMENT LTD. AND MUST NOT BE REPRODUCED, COPIED, NOR ITS CONTENTS DIVULGED WITHOUT PRIOR WRITTEN PERMISSION.

IF IN ANY DOUBT - ASK



B705-97-021



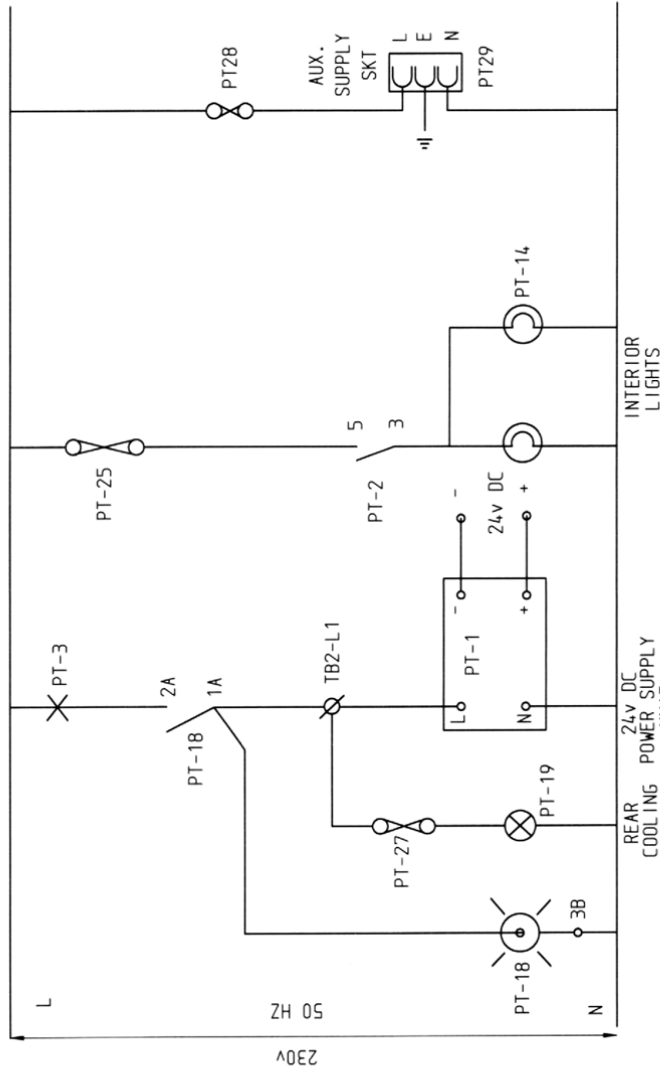
VIEW FROM REAR

TOUCH SCREEN AND CIRCUIT BOARD ASSY
MONO STOCK No. M158-25-80000
 CONSISTING OF:
 M158-25-12500 PANEL MOUNTING PLATE
 B728-93-022 TOUCH SCREEN
 B705-97-021 CIRCUIT BOARD

USB CABLE PT No B705-25-007
 COPYRIGHT © 1998 - THIS DESIGN/DRAWING IS THE PROPERTY OF MONO EQUIPMENT LTD. AND MUST NOT BE REPRODUCED, COPIED, NOR ITS CONTENTS DIVULGED WITHOUT PRIOR WRITTEN PERMISSION.

REV	SIG	DATE	REVISION	ECN NO.
			ECO TOUCH	
MONO EQUIPMENT QUEENSWAY SWANSEA WEST IND PARK SWANSEA, SA5 4EB. TEL: (01782) 581234 FAX: (01782) 581019				
TITLE: MAIN PCB/SCREEN LAYOUT (TOUCAN)			DRAWN: RAC	
ELECTRICAL SPECIFICATIONS:			ELECTRICALLY APPROVED BY:- AT	
DATE: 19/11/09			DRAWING NO. M158E25-71200	
REV: --			REV: --	

IF IN ANY DOUBT - ASK

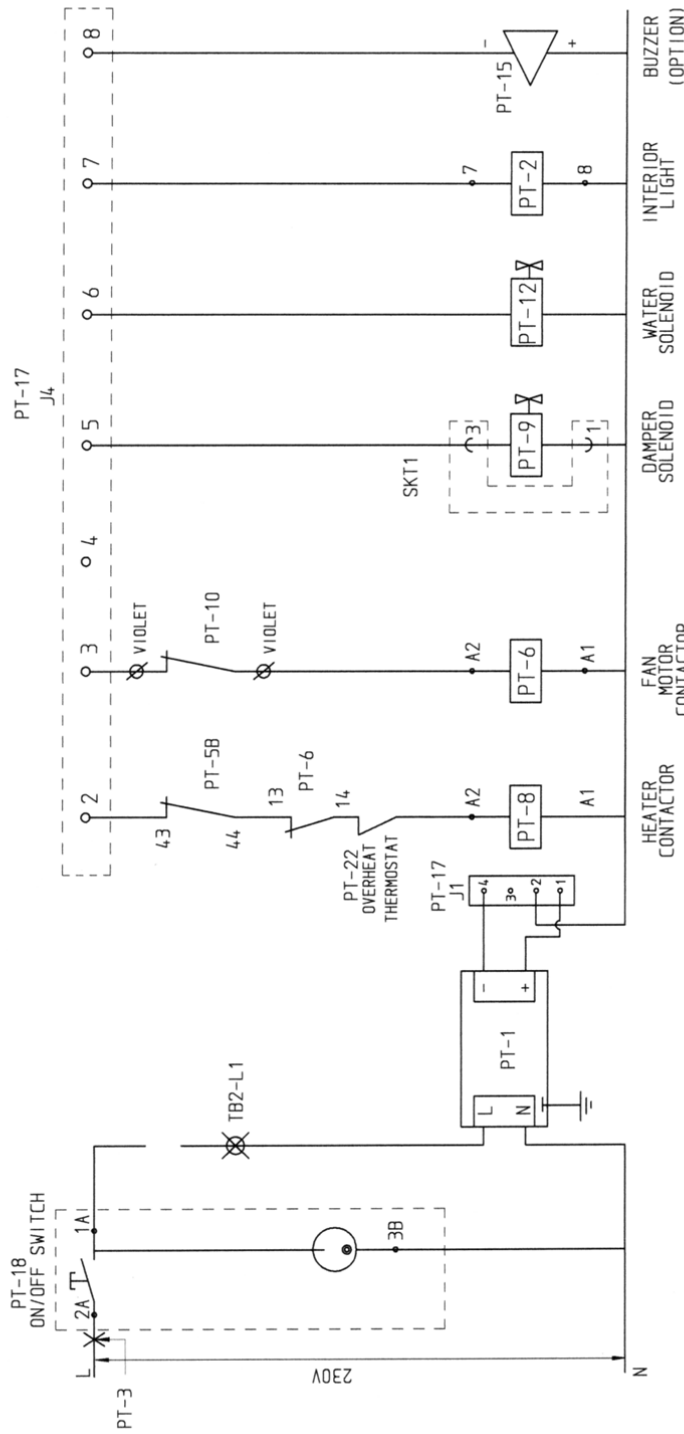


REV	SIG	DATE	REVISION	ECN NO.
D	JC	27-03-07	PT-28 & 29 ADDED	2946
C	JC	22-11-04	PT-18 CHANGED	2329
B	JC	25-9-03	SWITCH (PT-18) CHANGED	2057
A	JC	22-1-03	ADD WIRING FOR REAR FAN UNIT	1927

<p>MONO EQUIPMENT QUEENSWAY SWANSEA WEST IND PARK SWANSEA SAS WALES TEL: (01792) 561034 FAX: (01792) 561016</p>	<p>TITLE: BX 4 TRAY OVEN CONTROL CIRCUIT</p>
<p>ELECTRICAL SPECIFICATIONS:-</p>	<p>DRAWN: JC</p>
<p>DATE: 14/12/01</p>	<p>DRAWING NO. M158E25-20700</p>
<p>REVISION</p>	<p>ELECTRICALLY APPROVED BY:- P. BOYLES</p>

COPYRIGHT © 1998 - THIS DESIGN/DRAWING IS THE PROPERTY OF MONO EQUIPMENT LTD. AND MUST NOT BE REPRODUCED, COPIED, NOR ITS CONTENTS DIVULGED WITHOUT PRIOR WRITTEN PERMISSION.

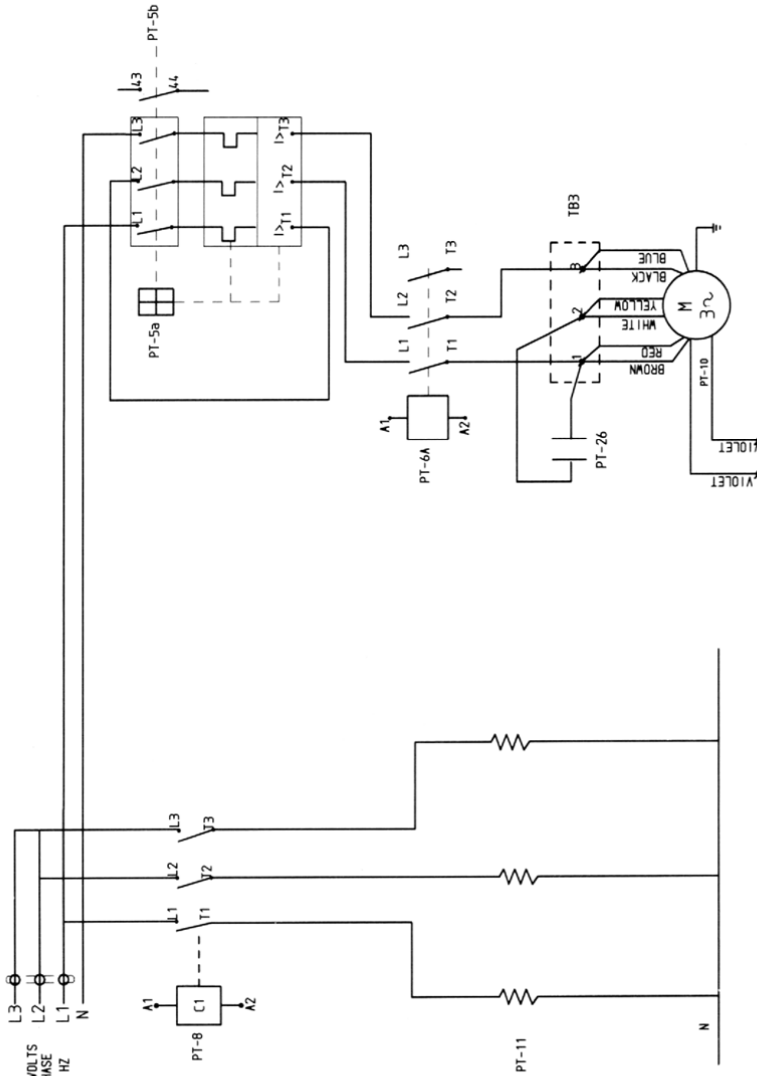
IF IN ANY DOUBT - ASK



REV	SIG	DATE	REVISION	ECN NO.
<p>MOND EQUIPMENT SWANSEA WEST IND PARK SWANSEA, SA5 4EB. TEL: (01792) 561234 FAX: (01792) 561016</p>				
<p>ELECTRICAL SPECIFICATIONS:- 230V 1PH/50Hz</p>			<p>TITLE: BXC 4 TRAY OVEN PCB OUTPUTS</p>	
<p>DRAWN: JC/RAC</p>			<p>ELECTRICALLY APPROVED BY:- A. THOMAS</p>	
<p>DATE: 1-12-09</p>			<p>DRAWING NO. M158E25-75500</p>	
<p>REV: --</p>			<p>REV: --</p>	

COPYRIGHT © 1998 - THIS DESIGN/DRAWING IS THE PROPERTY OF MOND EQUIPMENT LTD. AND MUST NOT BE REPRODUCED, COPIED, NOR ITS CONTENTS DIVULGED WITHOUT PRIOR WRITTEN PERMISSION.

IF IN ANY DOUBT - ASK

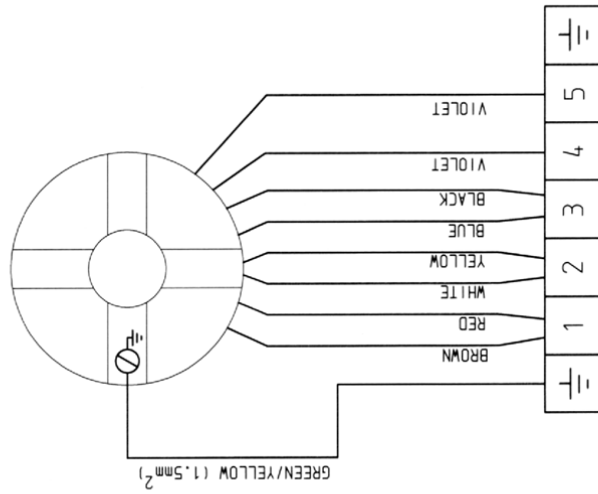


230 VOLTS
1 PHASE
50 HZ

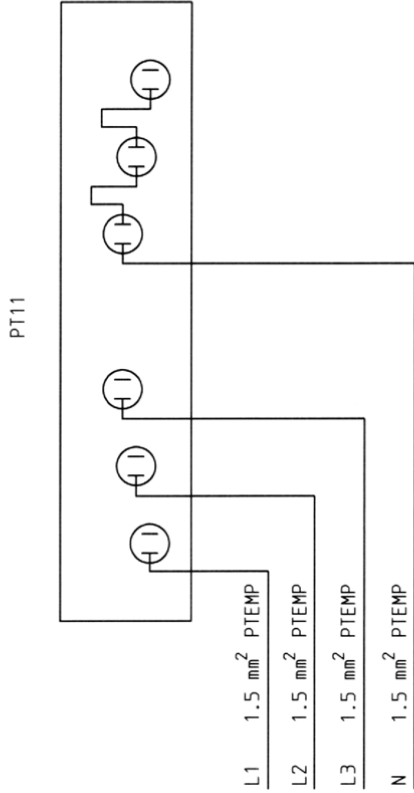
REV	SIG	DATE	REVISION	ECN NO.
A	JC	27-03-07	PT-22 REMOVED	2946
MOND EQUIPMENT QUEENSWAY SWANSEA WEST IND PARK SWANSEA, SAS 4EB. TEL: (01782) 581234 FAX: (01782) 581018				
TITLE: 4 TRAY CLASSIC/COLOUR ONE WAY FAN ROTATING OVEN WITH STANDARD FAN IMPELLER			DRAWN: JC ELECTRICALLY APPROVED BY:- P. BOYLES	
ELECTRICAL SPECIFICATIONS:- 230V 1PH 50HZ			DATE: 12-7-99 DRAWING NO. M158E25-51300	
REV: A				

COPYRIGHT © 1998 - THIS DESIGN/DRAWING IS THE PROPERTY OF MOND EQUIPMENT LTD. AND MUST NOT BE REPRODUCED, COPIED, NOR ITS CONTENTS DIVULGED WITHOUT PRIOR WRITTEN PERMISSION.

IF IN ANY DOUBT - ASK



FAN MOTOR CONNECTIONS



HEATING ELEMENT WIRING

REV	SIG	DATE	REVISION	ECN NO.
			FAN MOTOR CONNECTIONS & HEATING ELEMENT WIRING 4 TRAY CLASSIC/COLOUR ONE WAY FAN ROTATING OVEN	
<p>MONO EQUIPMENT QUEENSWAY SWANSEA WEST IND PARK SWANSEA SA6 4EB TEL: (01792) 961234 FAX: (01792) 261016</p>			<p>TITLE: DRAWN: JC DATE: 15-7-99 DRAWING NO. M158E25-52200</p>	
ELECTRICAL SPECIFICATIONS:-			ELECTRICALLY APPROVED BY:-	
230V 1PH 50HZ			P. BOYLES	
<p>COPYRIGHT © 1998 - THIS DESIGN/DRAWING IS THE PROPERTY OF MONO EQUIPMENT LTD. AND MUST NOT BE REPRODUCED, COPIED, NOR ITS CONTENTS DIVULGED WITHOUT PRIOR WRITTEN PERMISSION.</p>				