



www.monoequip.com

Enter **Serial No.** here. _____

In the event of an enquiry please quote this serial number.

Bx OVEN

ELECTRICAL INFORMATION

**FOR ENGINEERS USE ONLY.
DO NOT ATTEMPT ANY ALTERATIONS.
IF IN DOUBT, CONTACT MONO FOR ADVICE**

COLOUR VERSION

ELECTRICAL SAFETY AND ADVICE REGARDING SUPPLEMENTARY ELECTRICAL PROTECTION:

Commercial bakeries, kitchens and food service areas are environments where electrical appliances may be located close to liquids, or operate in and around damp conditions, or where restricted movement for installation and service is evident.

The installation and periodic inspection of the appliance should only be undertaken by a qualified, skilled and competent electrician, and connected to the correct supply suitable for the load as stipulated by the appliance data label.

The electrical installation and connections should meet the necessary requirements of the local electrical wiring regulations and any electrical safety guidelines.

We Recommend:

- Supplementary electrical protection with the use of a residual current device (RCD)
- Fixed wiring appliances incorporate a locally situated switch disconnector to connect to, which is easily accessible for switching off and safe isolation purposes. The switch disconnector must meet the specification requirements of IEC 60947.

Your attention is drawn to:

BS 7671:2018 – Guidance Note 8 – 8.13 : Other locations of increased risk

It is recognised that there may be locations of increased risk of electrical shock other than those specifically addressed in Part 7 of BS 7671. Examples of such locations could include laundries where there are washing and drying machines in close proximity, and water is present, and commercial kitchens with stainless steel units, where once again, water is present. Where, because of the perception of additional risks being likely, the installation designer decides that an installation or location warrants further protective measures, the options available includes:

- Automatic Disconnection of Supply (ADS) by means of a residual current device having a residual operating current not exceeding 30 mA;
- Supplementary protective equipotential bonding; and
- Reduction of maximum fault clearance time.

The provision of RCDs and supplementary bonding must be specified by the host organisation's appointed installation designer or electrical contractor and installed by a suitably qualified and competent electrician so as to comply with Regulations 419.2 and 544.2.



The supply to this machine must be protected by a **30mA RCD**

SECTION 1

FG149/150

10 TRAY COLOUR

PAGE 3

M150E25-51100	COMPONENTS
M150E25-03100	CONTROL PANEL LAYOUT
M150E25-51400	PCB CONNECTIONS
M150E25-51200	PCB OUTPUTS
M150E25-51300	LIGHT AND POWER CIRCUIT
M150E25-03200	MOTOR POWER CIRCUIT
M150E25-03300	HEATING POWER CIRCUIT
M150E25-03400	FAN AND ELEMENT WIRING

SECTION 2

FG156

2 TRAY COLOUR

PAGE 12

M156E25-13200	COMPONENTS
M156E25-13000	CONTROL AND POWER CIRCUIT
M156E25-13300	PCB CONNECTIONS
M156E25-13400	PCB OUTPUTS

SECTION 3

FG153/158/159

4 TRAY COLOUR

PAGE 17

M159E25-10900	COMPONENTS (159 ONLY)
M159E25-11100	CONTROL CIRCUIT (159 ONLY)
M158E25-20600	COMPONENTS (153/158 ONLY)
M158E25-20700	CONTROL CIRCUIT (153/158 ONLY)
M158E25-21000	PCB CONNECTIONS
M158E25-20800	PCB OUTPUTS
M158E25-01800	POWER CIRCUIT
M158E25-20900	FAN AND ELEMENT WIRING

SECTION 4

FG158 4 TRAY 1 PHASE

PAGE 26

M158E25-22500	COMPONENTS
M158E25-21000	PCB CONNECTIONS
M158E25-20700	CONTROL CIRCUIT
M158E25-22600	PCB OUTPUTS
M158E25-51300	POWER CIRCUIT
M158E25-52200	FAN AND ELEMENT WIRING

CONDENSER (IF FITTED)

PAGE 33

FG149/150 COLOUR 10 TRAY

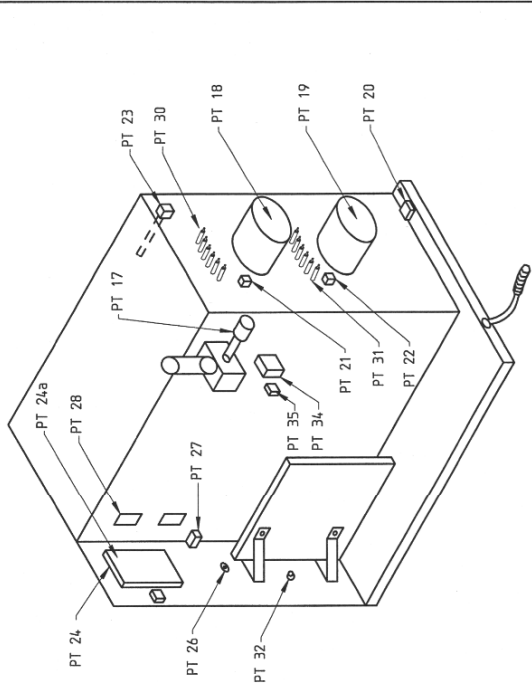
M150E25-51100	COMPONENTS
M150E25-03100	CONTROL PANEL LAYOUT
M150E25-51400	PCB CONNECTIONS
M150E25-51200	PCB OUTPUTS
M150E25-51300	LIGHT AND POWER CIRCUIT
M150E25-03200	MOTOR POWER CIRCUIT
M150E25-03300	HEATING POWER CIRCUIT
M150E25-03400	FAN AND ELEMENT WIRING

FOR ENGINEERS USE ONLY.
DO NOT ATTEMPT ANY ALTERATIONS.
IF IN DOUBT, CONTACT MONO FOR ADVICE

SECTION 1

IF IN ANY DOUBT - ASK

DRAWING PT-Ref	DESCRIPTION	MONO PART NUMBER
PT-1	INTERIOR LIGHT M.C.B.	B872-22-063
PT-2	CONTROL CIRCUIT M.C.B.	B872-22-062
PT-4a	FAN MOTOR OVERLOAD UNIT N'1 (TOP)	B601-03-020
PT-4b	FAN MOTOR OVERLOAD N'1 AUXILIARY CONTACT	B801-14-012
PT-5a	FAN MOTOR OVERLOAD UNIT N'2 (BOTTOM)	B801-03-020
PT-5b	FAN MOTOR OVERLOAD N'2 AUXILIARY CONTACT	B801-14-012
PT-8a	INTERIOR LIGHT RELAY	B723-37-004
PT-8b	INTERIOR LIGHT RELAY BASE	B723-36-001
PT-10a	FAN MOTOR CONTACTOR N'1-FORWARD (TOP MOTOR)	B801-08-031
PT-10b	FAN MOTOR CONTACTOR N'1-REVERSE (TOP MOTOR)	B801-08-031
PT-11a	FAN MOTOR CONTACTOR N'2-FORWARD (BTM MOTOR)	B801-18-031
PT-11b	FAN MOTOR CONTACTOR N'2-REVERSE (BTM MOTOR)	B801-18-031
PT-14	24V DC POWER SUPPLY UNIT	B801-93-005
PT-15	HEATING ELEMENT CONTACTOR	B801-08-020
PT-17	{ DAMPER SOLENOID (L/H) DAMPER SOLENOID (R/H)	{ B749-83-003 B749-83-004
PT-18	FAN MOTOR UNIT N'1 (TOP MOTOR)	B720-74-001
PT-19	FAN MOTOR UNIT N'1 (BOTTOM MOTOR)	B720-74-001
PT-20	WATER SOLENOID	150-07-00400
PT-21	OVERHEAT THERMOSTAT N'1 (TOP)	B888-50-014
PT-23	OVEN THERMOCOUPLE	B873-95-002
PT-24	PCB ASSEMBLY	M158-25-14.000
PT-26	PUSHBUTTON-GREEN-LATCHING	B836-07-004
PT-27	DOOR SWITCH	B842-07-023
PT-28A	INTERIOR LIGHT UNIT	B721-67-011
PT-28B	INTERIOR LIGHT BULB	B657-94-007
PT-29	BUZZER	B723-92-002
PT-30	8KW ELEMENT OVENS ONLY	B847-04-068
PT-31	HEATING ELEMENT UNIT N'1 (TOP) 240v	B847-04-068
PT-30	HEATING ELEMENT UNIT N'1 (TOP) 220v	B847-04-073
PT-31	HEATING ELEMENT UNIT N'2 (BOTTOM) 220v	B847-04-073
PT-30	7KW ELEMENT OVENS ONLY	B847-04-067
PT-31	HEATING ELEMENT UNIT N'1 (TOP) 240v	B847-04-067
PT-30	HEATING ELEMENT UNIT N'1 (TOP) 220v	B847-04-074
PT-31	HEATING ELEMENT UNIT N'2 (BOTTOM) 220v	B847-04-074
PT-34	REAR FAN UNIT	B869-75-018
PT-35	REAR FAN UNIT FUSE	B842-85-025
PT-36	AUX POWER OUTLET	B970-06-001
PT-37	AUX POWER OUTLET FUSE	B842-85-039



REV	SIG	DATE	REVISION	ECH NO.
M	JC	31-3-10	PT28A WAS B721-67-006, PT28B WAS B857-94-004	B15/09
L	JC	10-2-10	PT2La & b NOW PT 24 AND PT NO CHANGED	B38/09
K	JC	29-01-09	PT22 WAS ASSY 154-25-01200 (B801-11-001)	195/08
J	JC	29-03-07	PT22 O/HEAT THERMOSTAT DELETED:PT36/37 ADDED	2946
I	JC	30-10-06	PT-17 WAS B749-83-001 & B749-83-002	2868
H	JC	31-10-05	B859- NOW B801-	2573
G	JC	27-7-05	PT-23 WAS B873-95-001	2525
F	JC	13-6-05	PT-14 WAS B705-93-006	2483
E	JC	7-4-05	PT-28A WAS B721-67-001	2435
D	JC	22-11-04	PT-26a-d WAS B801-xx (SEE LIST)	2329
C	JC	22-11-04	PT-34 WAS B869-75-023	2318
B	JC	25-9-03	SWITCH (PT-26) CHANGED	2056
A	JC	14-2-03	EXISTING SMALL FAN DELETED (IN CONJUNCTION WITH ECN 1925)	1927

MONO EQUIPMENT
QUEENSWAY
SWANSEA WEST IND PARK
SWANSEA,
SAS 4EB.
TEL: 01792 561234
FAX: 01792 561019

MONO

TITLE: ELECTRICAL COMPONENTS LAYOUT
BXC 10 TRAY OVEN

DRAWN: ALW/JC
ELECTRICALLY APPROVED BY: *[Signature]*

DATE: 8/11/01
DRAWING NO: M150E25-51100

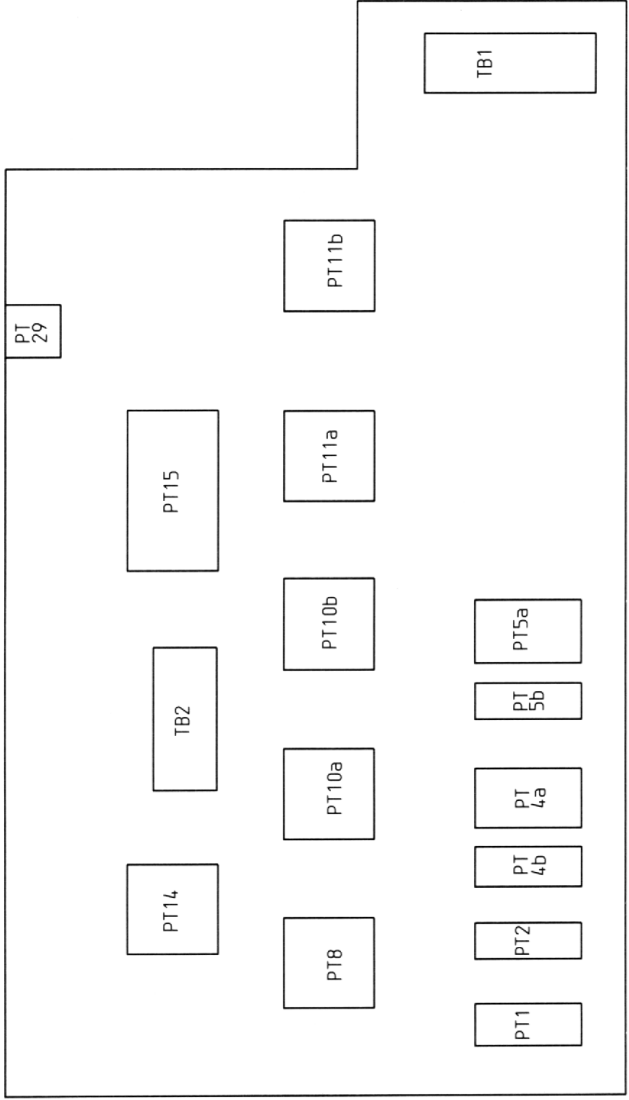
REV: M


ELECTRICAL SPECIFICATIONS:-
4.15V 3PH 50HZ

COPYRIGHT © 1998 - THIS DESIGN/DRAWING IS THE PROPERTY OF MONO EQUIPMENT LTD. AND MUST NOT BE REPRODUCED, COPIED, NOR ITS CONTENTS DIVULGED WITHOUT PRIOR WRITTEN PERMISSION.



IF IN ANY DOUBT - ASK

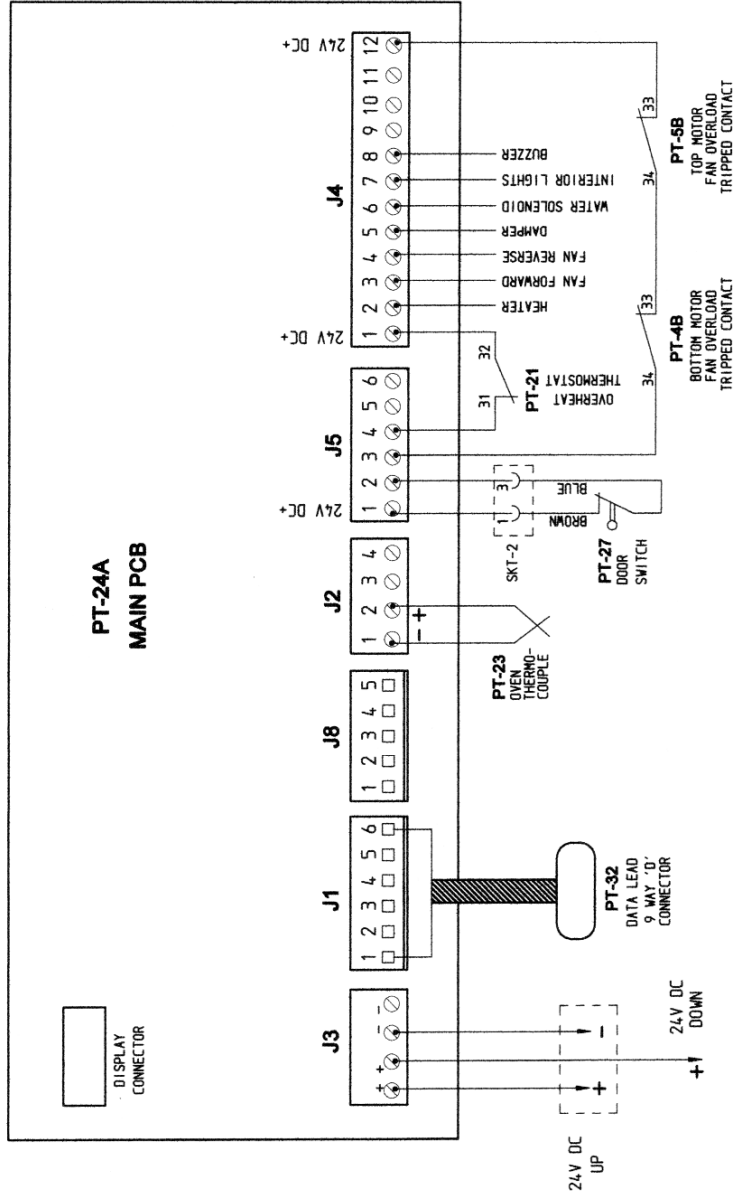


REV	SIG	DATE	REVISION	ECN NO.
			COLOURSMART	
 MONO EQUIPMENT QUEENSWAY SWANSEA WEST IND PARK SWANSEA SA5 4BB W. SALES AREA TEL: (01782) 561234 FAX: (01782) 561016			TITLE: MAIN CONTROL PANEL LAYOUT 10 TRAY OVEN MK II	
ELECTRICAL SPECIFICATIONS:-			DRAWN: A.L.W.	ELECTRICALLY APPROVED BY: P. BOYLES
			DATE: 3/2/00	DRAWING NO. M150E25-03100
				REV: -

COPYRIGHT © 1998 - THIS DESIGN/DRAWING IS THE PROPERTY OF MONO EQUIPMENT LTD. AND MUST NOT BE REPRODUCED, COPIED, NOR ITS CONTENTS DIVULGED WITHOUT PRIOR WRITTEN PERMISSION.



IF IN ANY DOUBT - ASK

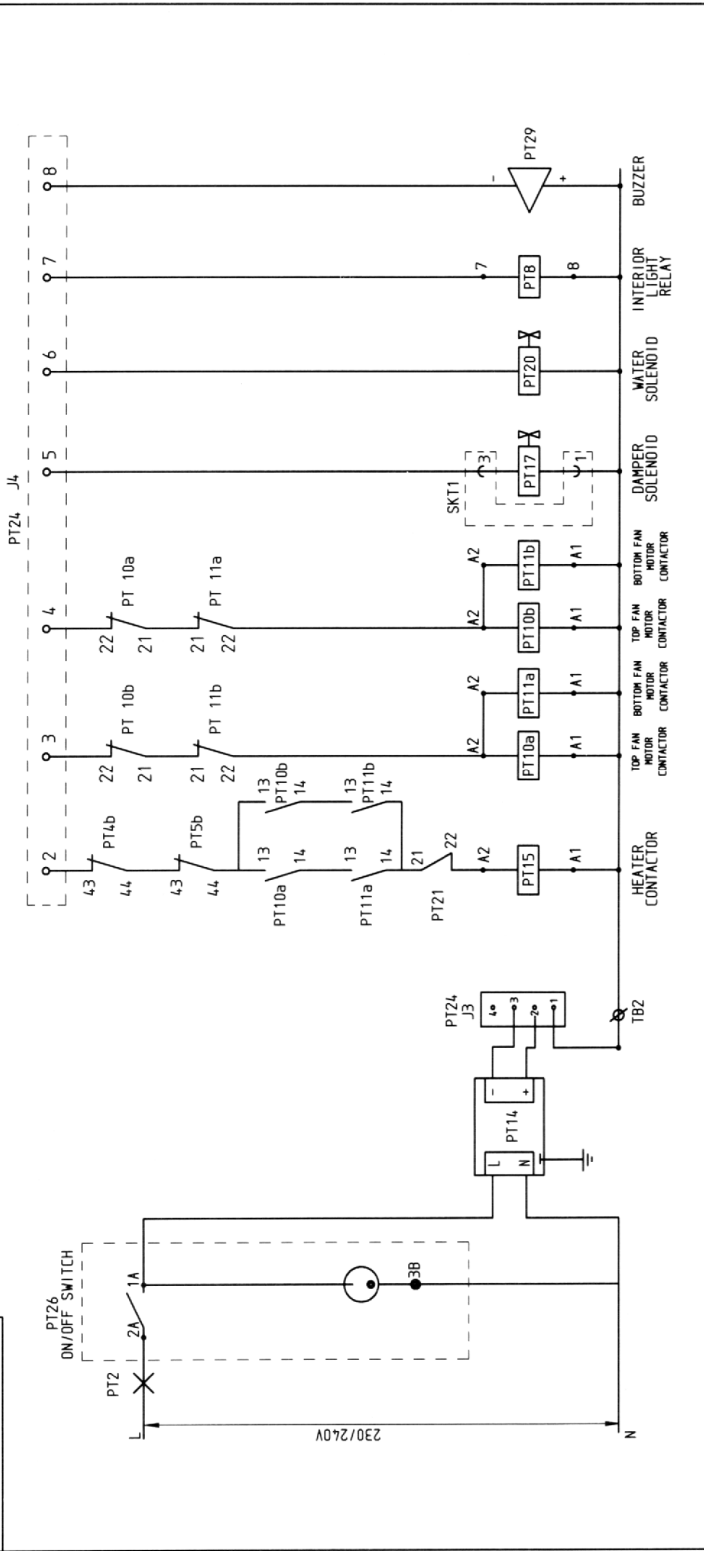


REV	SIG	DATE	REVISION	EOM NO.
A	JC	14-2-03	EXISTING SMALL FAN DELETED (IN CONJUNCTION WITH EOM 1925)	1927
<p>MONO EQUIPMENT QUEENSWAY SWANSEA, WEST IND PARK SA4 4EB. TEL: (01782) 561234 FAX: (01782) 561016</p>				
ELECTRICAL SPECIFICATIONS:-			TITLE: BXC 10 TRAY OVEN PCB CONNECTIONS (COLOURSMART)	
DRAWN: JC			ELECTRICALLY APPROVED BY:- P. BOYLES	
DATE: 9-11-01			DRAWING NO. M150E25-51400	
REV: A				

COPYRIGHT © 1998 - THIS DESIGN/DRAWING IS THE PROPERTY OF MONO EQUIPMENT LTD. AND MUST NOT BE REPRODUCED. COPIED, NOR ITS CONTENTS DIVULGED WITHOUT PRIOR WRITTEN PERMISSION.



IF IN ANY DOUBT - ASK



REV	SIG	DATE	REVISION	ECN NO.
E	RAC	30-3-07	PT21 WIRING CHANGE	2946
D	RAC	31-10-05	A1 and A2 changed round	2573
C	JC	22-11-04	PT-26a-d WAS BB01-xx (SEE LIST)	2329
B	JC	25-9-03	SWITCH (PT-26) CHANGED	2057
A	JC	14-2-03	EXISTING SMALL FAN DELETED (IN CONJUNCTION WITH ECN 1925)	1927

MONO EQUIPMENT
 QUEENSWAY
 SWANSEA WEST IND PARK
 SAK 4E8A
 SAK 4E8A
 TEL: (01792) 861234
 FAX: (01792) 861016

TITLE:
 BXC 10 TRAY mk3 OVEN
 P.C.B. OUTPUTS

DRAWN:
 ALW/JC

DATE:
 9-11-01

ELECTRICAL SPECIFICATIONS:-
 415V 3 PHASE 50HZ

ELECTRICALLY APPROVED BY:-
 P. BOYLES

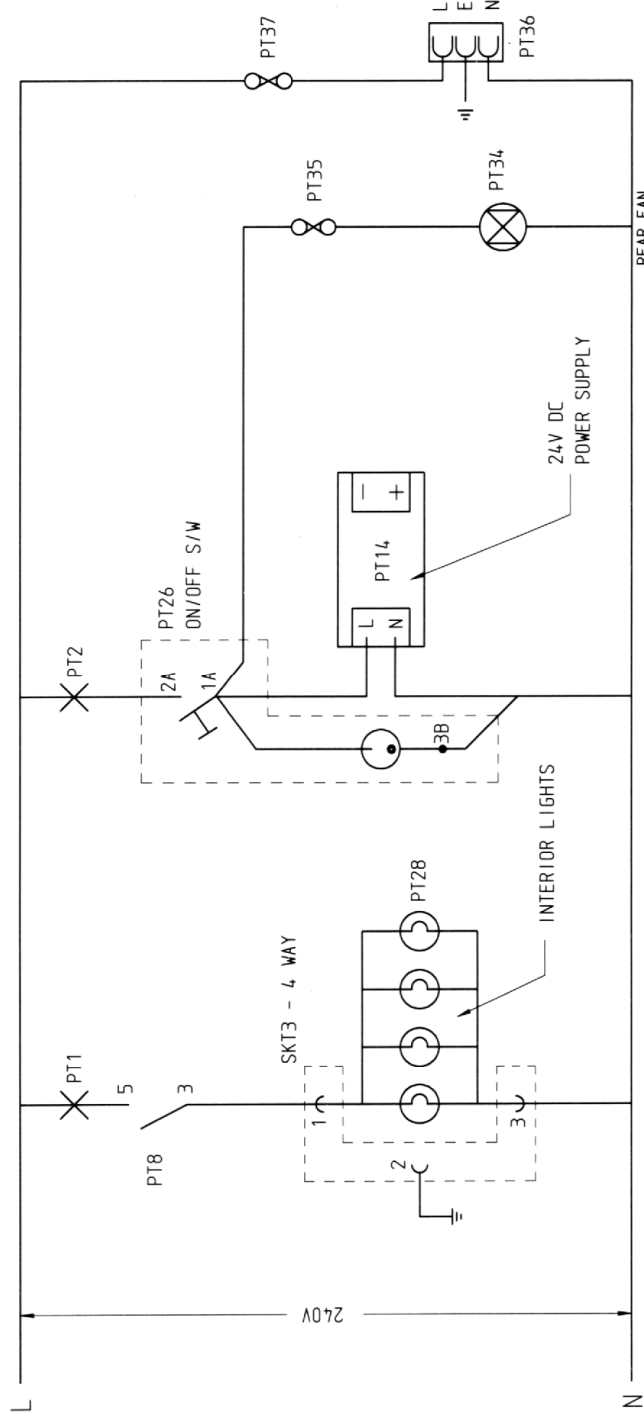
DRAWING NO.
 M150E25-51200

REV:
 E

COPYRIGHT © 1998 - THIS DESIGN/DRAWING IS THE PROPERTY OF MONO EQUIPMENT LTD. AND MUST NOT BE REPRODUCED, COPIED, OR ITS CONTENTS DIVULGED WITHOUT PRIOR WRITTEN PERMISSION.



IF IN ANY DOUBT - ASK



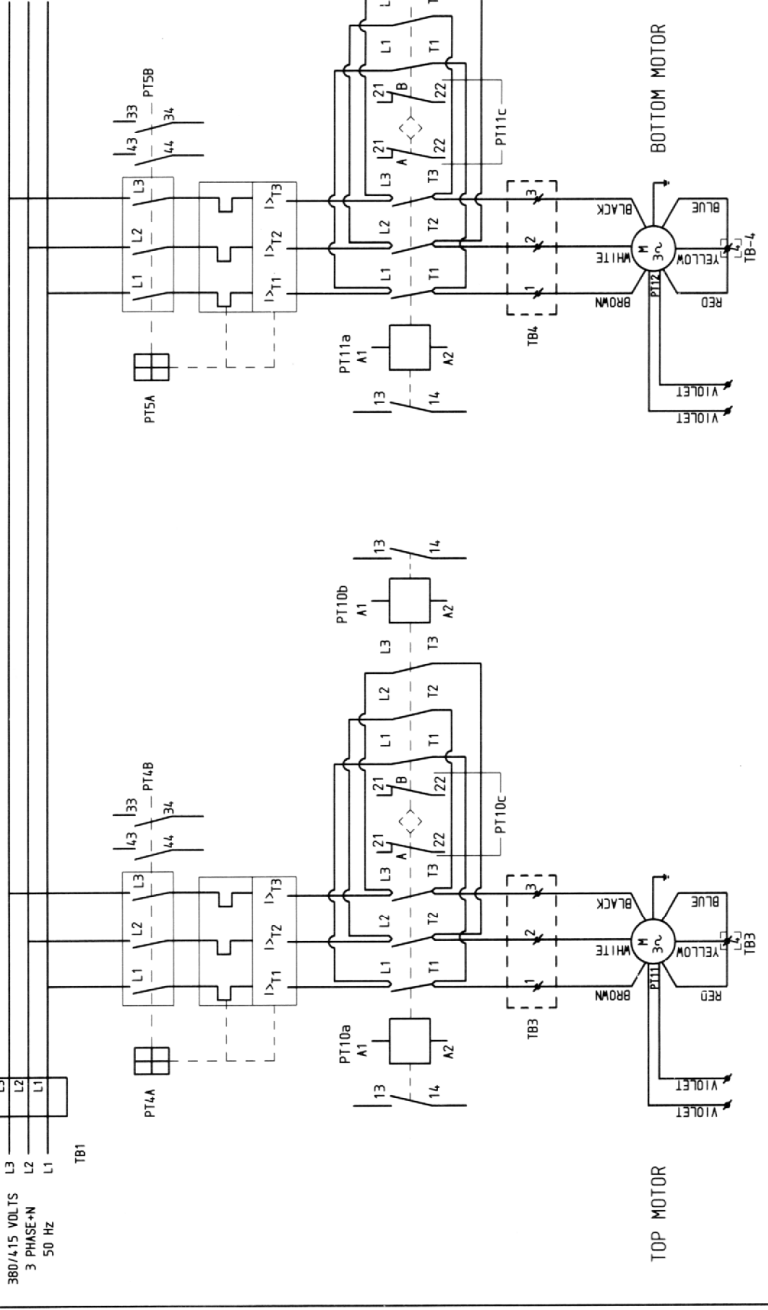
REV	SIG	DATE	REVISION	ECN NO.
D	RAC	22-2-07	PT36 & PT37 ADDED	2946
C	JC	22-11-04	PT-26a-d WAS BB01-xx (SEE LIST)	2329
B	JC	25-9-03	SWITCH (PT-26) CHANGED	2057
A	JC	14-2-03	EXISTING SMALL FAN DELETED (IN CONJUNCTION WITH ECN 1925)	1927

<p>MONO EQUIPMENT QUEENSWAY SWANSEA WEST IND PARK SWANSEA, SA6 4EG, UK TEL: (01792) 561034 FAX: (01792) 561016</p>	<p>TITLE: BXC 10 TRAY OVEN INTERIOR LIGHT & POWER SUPPLY CIRCUIT</p>
<p>ELECTRICAL SPECIFICATIONS:-</p>	<p>DRAWN: JG/JJC DATE: 9-11-01 ELECTRICALLY APPROVED BY: P. BOYLES</p>
<p>DRAWING NO: M150E25-51300</p>	<p>REV: D</p>

COPYRIGHT © 1998 - THIS DESIGN/DRAWING IS THE PROPERTY OF MONO EQUIPMENT LTD. AND MUST NOT BE REPRODUCED, COPIED, NOR ITS CONTENTS DIVULGED WITHOUT PRIOR WRITTEN PERMISSION.

IF IN ANY DOUBT - ASK

380/415 VOLTS
 3 PHASE-N
 50 HZ



REV	SIG	DATE	REVISION	ECN NO.

MONO EQUIPMENT
 QUEENSWAY
 SWANSEA WEST IND PARK
 SWANSEA,
 SA6 4EB
 TEL: (01792) 981234
 FAX: (01792) 261016

TITLE:
 MOTOR POWER CIRCUIT DIAGRAM
 10 TRAY OVEN MK11

DRAWN:
 A.L.W.

DATE:
 3/2/00

ELECTRICALLY APPROVED BY:
 P. BOYLES

ELECTRICAL SPECIFICATIONS:-
 380/415V 3 PH & N 50HZ

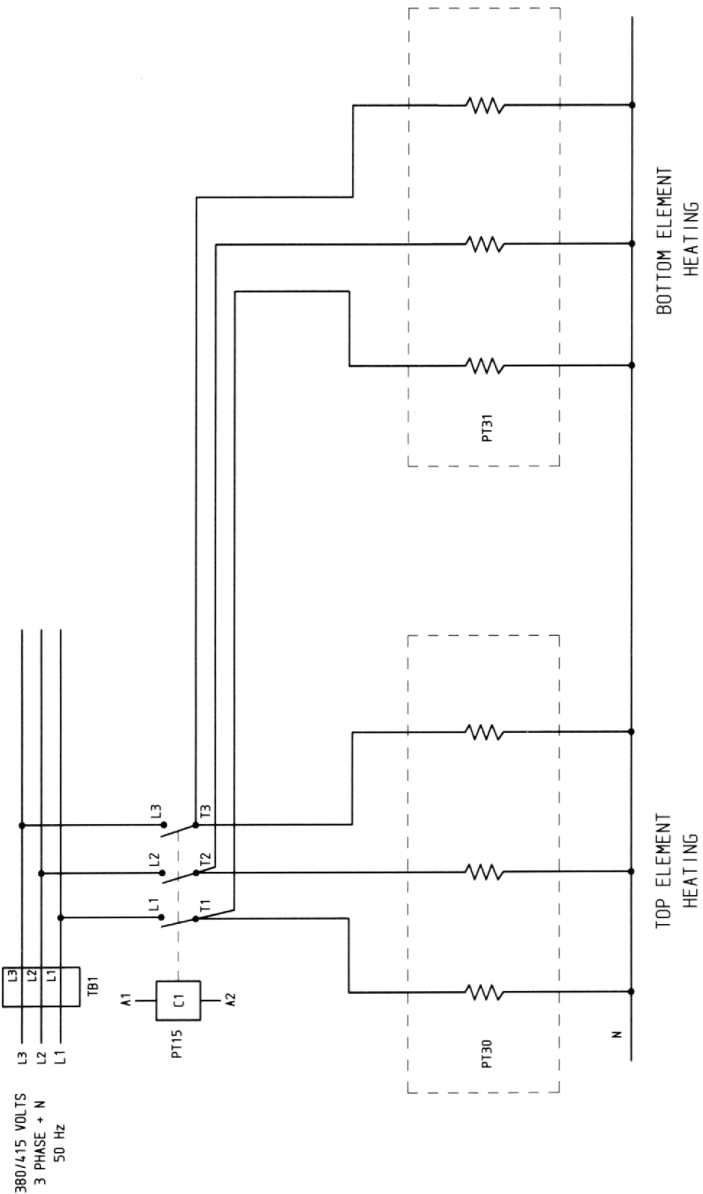
DRAWING NO:
 M150E25-03200

REV:
 -

COPYRIGHT © 1998 - THIS DESIGN/DRAWING IS THE PROPERTY OF MONO EQUIPMENT LTD. AND MUST NOT BE REPRODUCED, COPIED, NOR ITS CONTENTS DIVULGED WITHOUT PRIOR WRITTEN PERMISSION.



IF IN ANY DOUBT - ASK

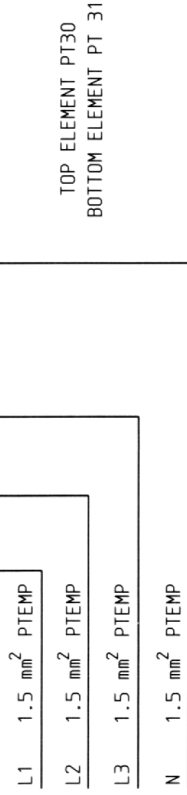
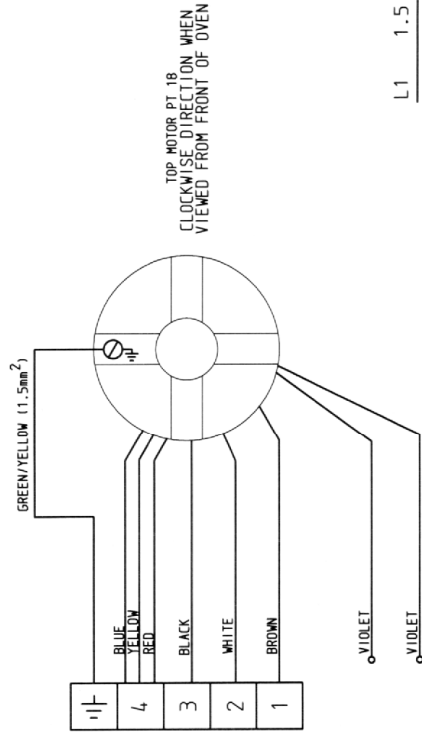


REV	SIG	DATE	REVISION	EEN NO.
A		22-2-07	PT21 & PT22 O/HEAT THERMOSTATS REMOVED	2946
		TITLE: HEATING POWER CIRCUIT DIAGRAM 10 TRAY OVEN MK11		
MONO EQUIPMENT QUEENSWAY SWANSEA WEST IND PARK SWANSEA SA6 4BEA W. WALES TEL: (01792) 561034 FAX: (01792) 561016		DRAWN: A.L.W. ELECTRICALLY APPROVED BY: P. BOYLES		
ELECTRICAL SPECIFICATIONS:- 380/415V 3 PHASE+N 50HZ		DATE: 3/2/00 DRAWING NO: M150E25-03300		

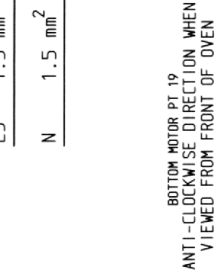
COPYRIGHT © 1998 - THIS DESIGN/DRAWING IS THE PROPERTY OF MONO EQUIPMENT LTD. AND MUST NOT BE REPRODUCED, COPIED, NOR ITS CONTENTS DIVULGED WITHOUT PRIOR WRITTEN PERMISSION.



IF IN ANY DOUBT - ASK



HEATING ELEMENT WIRING



FAN MOTOR CONNECTIONS

REV	SIG	DATE	REVISION	ECN NO.
			FAN MOTOR CONNECTIONS & HEATING ELEMENT WIRING 10 TRAY OVEN	
 MONO EQUIPMENT QUEENSWAY SWANSEA WEST IND PARK SWANSEA, SA WA 6150 TEL: (01782) 861034 FAX: (01782) 861016			TITLE: FAN MOTOR CONNECTIONS & HEATING ELEMENT WIRING 10 TRAY OVEN	
ELECTRICAL SPECIFICATIONS:-			DRAWN: A.L.W.	
380/415V 3PH+N 50HZ			DATE: 3/2/00	
			ELECTRICALLY APPROVED BY: P. BOYLES	
			DRAWING NO. M150E25-034.00	
			REV: -	

COPYRIGHT © 1998 - THIS DESIGN/DRAWING IS THE PROPERTY OF MONO EQUIPMENT LTD. AND MUST NOT BE REPRODUCED, COPIED, NOR ITS CONTENTS INDULGED WITHOUT PRIOR WRITTEN PERMISSION.

FG156

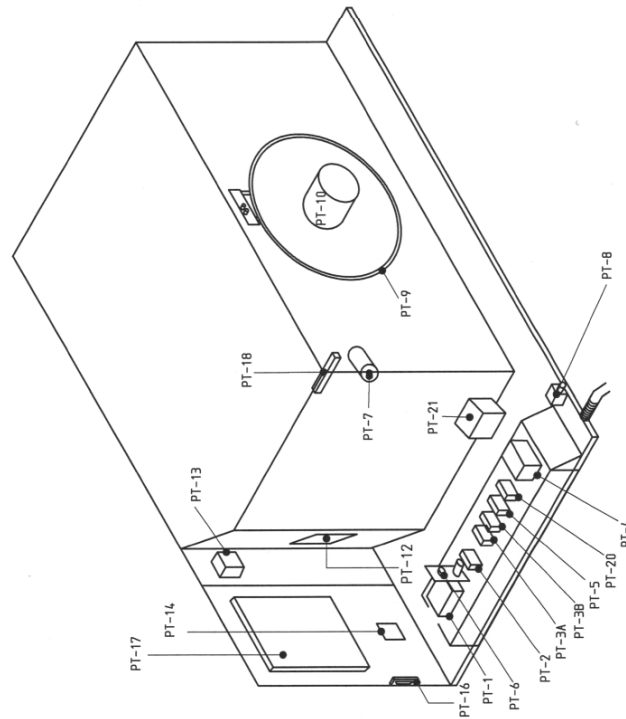
2 TRAY

M156E25-13200	COMPONENTS
M156E25-13000	CONTROL AND POWER CIRCUIT
M156E25-13300	PCB CONNECTIONS
M156E25-13400	PCB OUTPUTS

FOR ENGINEERS USE ONLY.
DO NOT ATTEMPT ANY ALTERATIONS.
IF IN DOUBT, CONTACT MONO FOR ADVICE

SECTION 2

IF IN ANY DOUBT - ASK



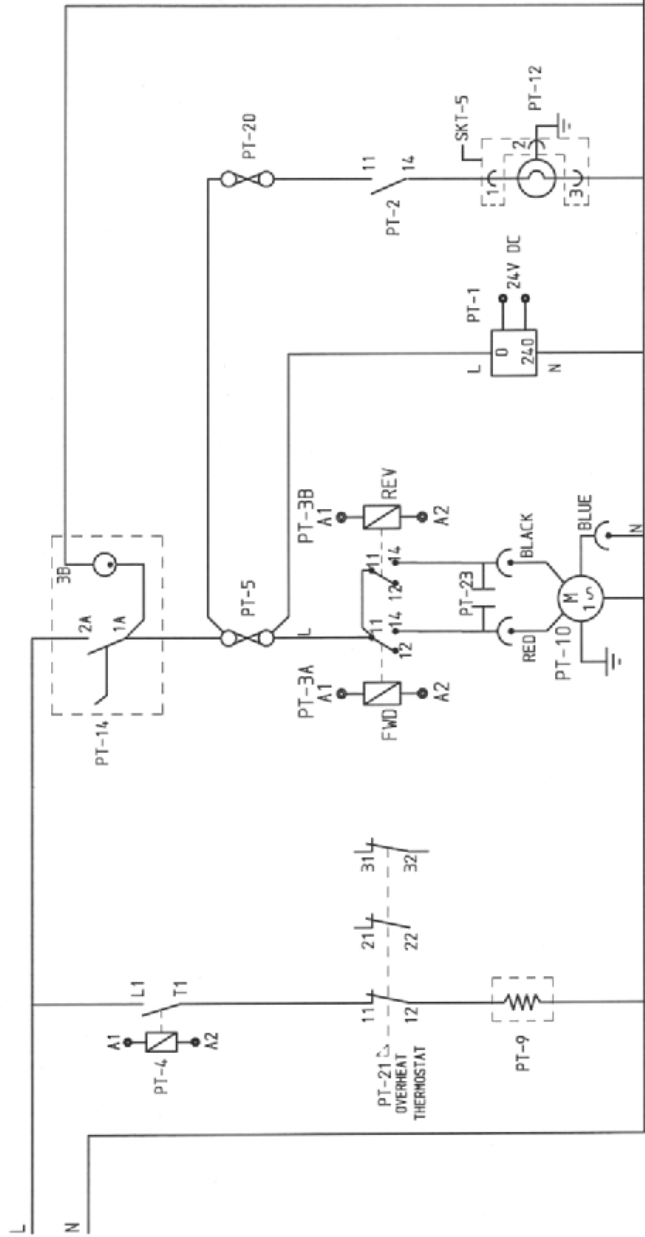
DRAWING PT-Ref	DESCRIPTION	MONO PART NUMBER
PT-1	24V DC POWER SUPPLY	B801-93-005
PT-2	INTERNAL LIGHT RELAY	B723-37-021
PT-3A	FAN MOTOR RELAY	B723-37-021
PT-3B	FAN MOTOR RELAY	B723-37-021
PT-4	HEATING ELEMENT CONTACTOR	B801-08-021
PT-5	CONTROL FUSE	B842-85-039
PT-6	BUZZER	B842-92-001
PT-7	DAMPER SOLENOID	B749-83-003
PT-8	2T WATER INLET ASSY	156-37-00400
* PT-9	(240V) HEATING ELEMENT	B854-04-117
PT-10	FAN MOTOR	B720-74-004
PT-11	INTERIOR LIGHT UNIT	B721-67-011
PT-12	INTERIOR LIGHT BULB (HAL)	B857-94-007
PT-13	DOOR SWITCH	B842-07-023
PT-14	ON/OFF SWITCH	B836-07-004
PT-15	DATA LINK SOCKET LEAD	B705-25-005
PT-16	PCB ASSEMBLY	M158-25-14000
PT-17	OVEN THERMOCOUPLE	B873-95-002
PT-18	INTERIOR LIGHT FUSE	B842-85-042
PT-19	OVERHEAT THERMOSTAT	B888-30-014
PT-20	CAPACITOR	B720-23-003
PT-21	CAPACITOR	B720-23-003

REV	SIG	DATE	REVISION	ECN NO.
<p>MONO EQUIPMENT QUEENSWAY SWANSEA WEST IND PARK SWANSEA, SA8 4EB. TEL: (01782) 661234 FAX: (01782) 661016</p>				
<p>MONO</p>			<p>TITLE: ELECTRICAL COMPONENTS LAYOUT 2 TRAY 1 PHASE COLOUR TWO-WAY FAN</p>	
<p>ELECTRICAL SPECIFICATIONS:- 220/240V 1 PHASE</p>			<p>DRAWN: JC/RAC DATE: 7/8/09 ELECTRICALLY APPROVED BY:-</p>	
<p>DRIVING NO. M156E25-13200</p>			<p>REV: --</p>	

COPYRIGHT © 1998 - THIS DESIGN/DRAWING IS THE PROPERTY OF MONO EQUIPMENT LTD. AND MUST NOT BE REPRODUCED, COPIED, NOR ITS CONTENTS DIVULGED WITHOUT PRIOR WRITTEN PERMISSION.



IF IN ANY DOUBT - ASK

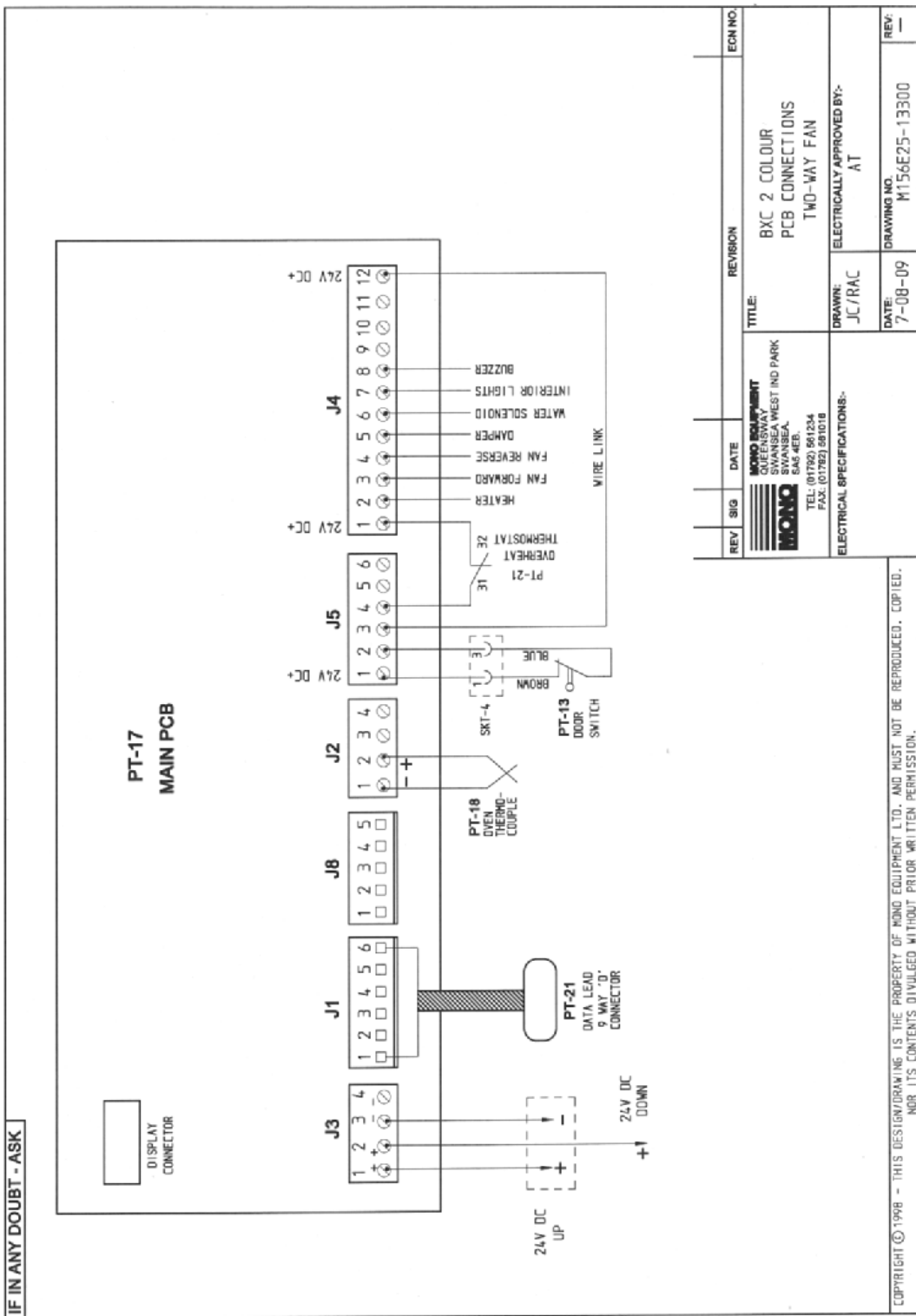


HEATING ELEMENT 24V DC POWER SUPPLY FAN MOTOR INTERIOR LIGHT

REV	SIG	DATE	REVISION	EDN NO.
<p>MONO EQUIPMENT SWANSEA WEST IND PARK SWANSEA SA5 4EB. TEL: (01782) 861234 FAX: (01782) 561016</p>			<p>TITLE: CONTROL & POWER CIRCUIT DIAGRAM FOR 220/240V 1 PHASE 2 TRAY 2 WAY FAN</p>	
<p>ELECTRICAL SPECIFICATIONS:- 220/240V 1 PHASE</p>			<p>DRAWN: RAC</p> <p>ELECTRICALLY APPROVED BY:- A. THOMAS</p>	
<p>220/240V</p>			<p>DATE: 28-7-09</p> <p>DRAWING NO. M156E25-13000</p>	
<p>REV: ---</p>				

COPYRIGHT © 1998 - THIS DESIGN/DRAWING IS THE PROPERTY OF MONO EQUIPMENT LTD. AND MUST NOT BE REPRODUCED, COPIED, NOR ITS CONTENTS DIVULGED WITHOUT PRIOR WRITTEN PERMISSION.



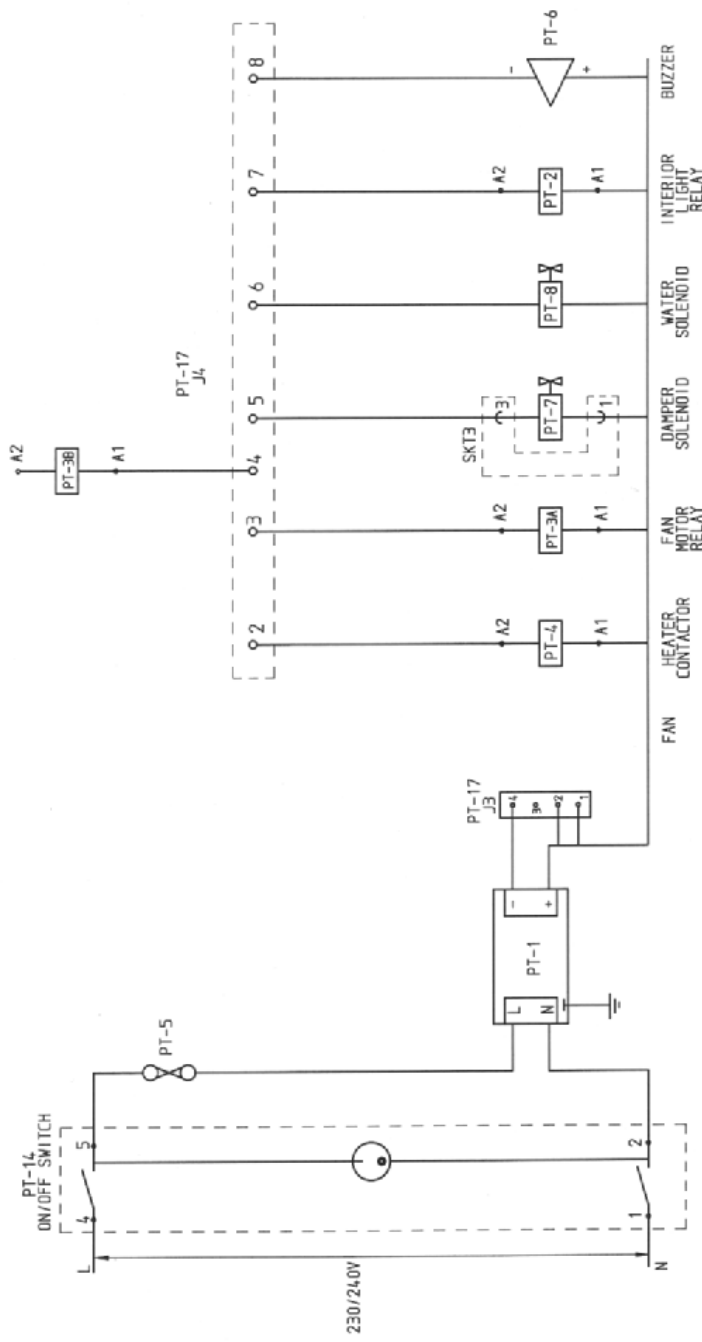


REV	SIG	DATE	REVISION	ECN NO.
MONO EQUIPMENT QUEENSWAY SWANSEA WEST IND PARK SWANSEA, SA6 4ER, WILT. TEL: (01792) 961034 FAX: (01792) 251018				
TITLE: BXC 2 COLOUR PCB CONNECTIONS TWO-WAY FAN			DRAWN: JC/RAC AT	
ELECTRICAL SPECIFICATIONS:-			ELECTRICALLY APPROVED BY:- AT	
DATE: 7-08-09			DRAWING NO.: M156E25-13300	
REV: 1			REV: 1	

COPYRIGHT © 1998 - THIS DESIGN/DRAWING IS THE PROPERTY OF MONO EQUIPMENT LTD. AND MUST NOT BE REPRODUCED. COPIED, NOR ITS CONTENTS DIVULGED WITHOUT PRIOR WRITTEN PERMISSION.



IF IN ANY DOUBT - ASK



REV	SIG	DATE	REVISION	ECN NO.
<p>MONO EQUIPMENT QUEENSWAY SWANSEA WEST IND PARK SWANSEA, SA. SA4 4EB. TEL: (01782) 811234 FAX: (01782) 851018</p>				
<p>ELECTRICAL SPECIFICATIONS:-</p>			<p>TITLE: P.C.B. OUTPUTS 2 TRAY COLOUR TWO-WAY FAN</p>	
<p>DRAWN: RAC</p>			<p>ELECTRICALLY APPROVED BY:- AT</p>	
<p>DATE: 7-08-09</p>			<p>DRAWING NO. M156E25-134.00</p>	
<p>REVISION</p>				
<p>REV: --</p>				

COPYRIGHT © 1998 - THIS DESIGN/DRAWING IS THE PROPERTY OF MONO EQUIPMENT LTD. AND MUST NOT BE REPRODUCED, COPIED, NOR ITS CONTENTS DIVULGED WITHOUT PRIOR WRITTEN PERMISSION.



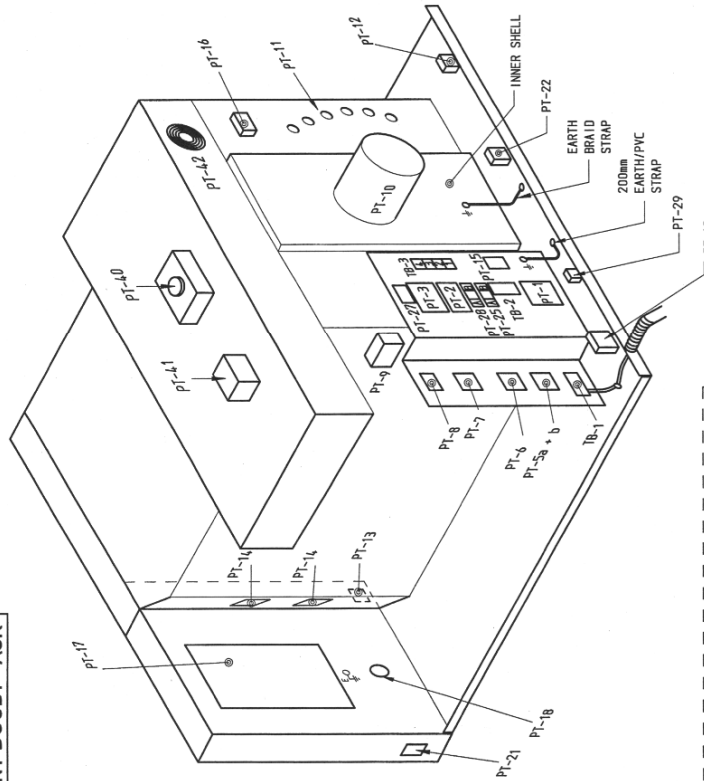
FG153/158/159 4 TRAY

M159E25-10900	COMPONENTS (159 ONLY)
M159E25-11100	CONTROL CIRCUIT (159 ONLY)
M158E25-20600	COMPONENTS (153/158 ONLY)
M158E25-20700	CONTROL CIRCUIT (153/158 ONLY)
M158E25-21000	PCB CONNECTIONS
M158E25-20800	PCB OUTPUTS
M158E25-01800	POWER CIRCUIT
M158E25-20900	FAN AND ELEMENT WIRING

**FOR ENGINEERS USE ONLY.
DO NOT ATTEMPT ANY ALTERATIONS.
IF IN DOUBT, CONTACT MONO FOR ADVICE**

SECTION 3

IF IN ANY DOUBT - ASK



CONDENSER UNIT IF FITTED
 I PT-40 THERMOSTAT B842-30-003
 I PT-41 WATER SOLENOID B867-83-011
 I PT-42 FAN B842-75-003

DRAWING		DESCRIPTION		MONO	
PT-REF				PART NUMBER	
PT-1	24V DC POWER SUPPLY UNIT			B801-93-005	
PT-2a	INTERIOR LIGHT RELAY BASE			B723-37-004	
PT-2b	INTERIOR LIGHT RELAY			B723-37-004	
PT-3	CONTROL CIRCUIT M.C.B.			B723-36-001	
PT-5b	FAN MOTOR OVERLOAD UNIT			B801-03-020	
PT-5b	FAN MOTOR OVERLOAD AUXILIARY CONTACT			B801-03-020	
PT-6	FAN MOTOR FORWARD CONTACTOR			B801-06-031	
PT-7	FAN MOTOR REVERSE CONTACTOR			B801-06-031	
PT-8	HEATING ELEMENT CONTACTOR			B801-06-021	
PT-9	HEATING ELEMENT (L/H)			B749-83-003	
PT-9	DAMPER SOLENOID (R/H)			B749-83-004	
PT-10	FAN MOTOR UNIT			B720-74-001	
PT-11	HEATING ELEMENT (240v)			B847-04-068	
PT-11	HEATING ELEMENT (220v)			B847-04-073	
PT-12	LT WATER INLET ASSY			158-17-00400	
PT-13	DOOR SWITCH			B842-07-023	
PT-14a	INTERIOR LIGHT UNIT			B721-47-011	
PT-14b	INTERIOR LIGHT BULB			B857-94-007	
PT-15	BUZZER			B723-92-002	
PT-16	THERMOCOUPLE			B873-93-002	
PT-17	PCB ASSEMBLY			M158-25-14000	
PT-18	PUSHBUTTON - GREEN			B836-07-004	
PT-19	REAR COOLING FAN			B869-75-018	
PT-21	DATA LINK SOCKET-CABLE			B705-25-005	
PT-22	OVERHEAT THERMOSTAT			B888-30-014	
PT-25	INTERNAL LIGHT FUSE			B842-85-042	
PT-27	FAN FUSE			B842-85-025	
PT-28	AUX FUSE			B842-85-039	
PT-29	AUX SUPPLY SOCKET			B970-06-001	

REV	SIG	DATE	REVISION	ECN NO.
F	JC	13-6-05	PT-1 WAS B705-93-006	2493
E	JC	7-4-05	PT-14a WAS B721-67-001	2435
D	JC	22-11-04	PT-18 CHANGED	2379
C	JC	22-11-04	PT-19 WAS B869-75-023	2318
B	JC	29-9-03	SWITCH (PT18) CHANGED	2057
A	JC	22-1-03	PT-27 AND WIRING FOR REAR FAN UNIT ADDED	1927

MONO EQUIPMENT
 QUEENSWAY
 SWANSEA WEST IND PARK
 SWANSEA,
 SA6 4EB.
 TEL: (01792) 861234
 FAX: (01792) 861016

MONO

TITLE: ELECTRICAL COMPONENTS LAYOUT
 BXC 4-318 OVEN

ELECTRICAL SPECIFICATIONS:
 380/415V 3PH 50HZ

DRAWN: JC
 ELECTRICALLY APPROVED BY: *Edshaw*

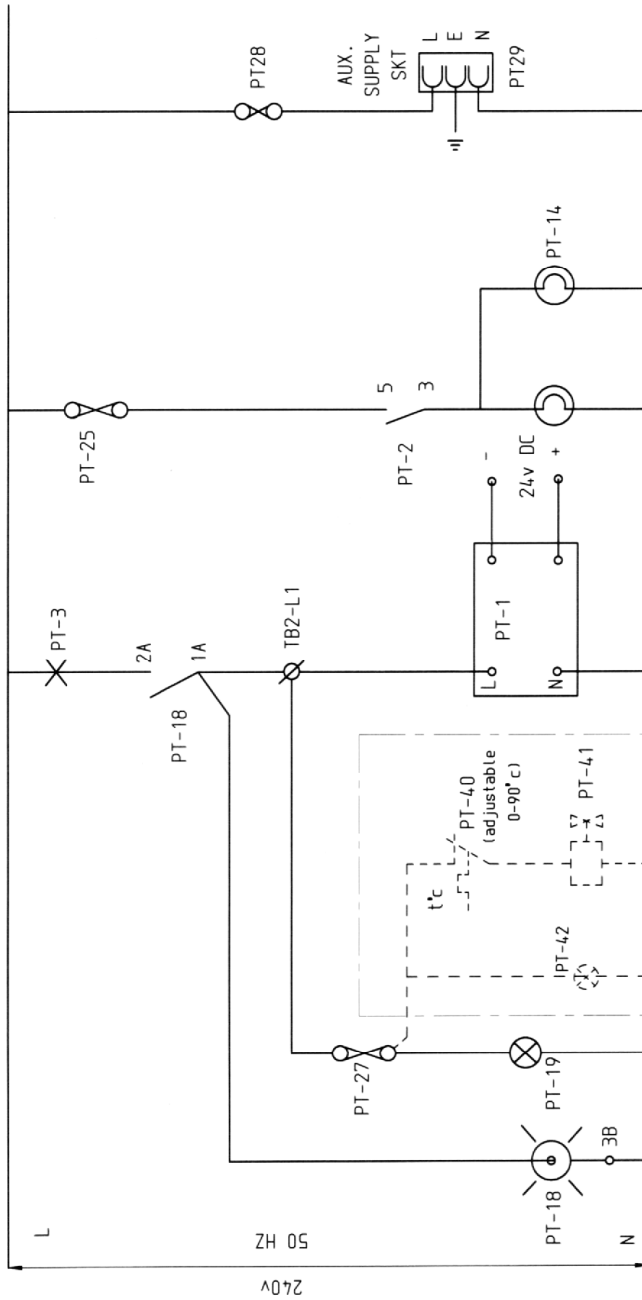
DATE: 21-03-02
 DRAWING NO: M159E25-10900
 REV: 0

0	RAC	01-04-10	PT14a WAS B721-67-006; PT14b WAS B857-94-004	B15/09
N	RAC	10-2-10	PT17A & B NOW PT17.PT NO CHANGED	3387/09
M	JC	29-01-09	PT13 WAS ASSY 154-25-01200 (B801-11-001)	195/08
L	JC	27-03-07	PT-28 & 29 ADDED	2946
K	JC	30-10-06	PT-9 WAS B749-83-001 & B749-83-002	2868
J	RAC	1-11-05	B801- WAS B859-	2573
I	JC	3-8-05	PT-41 WAS B867-83-002	2530
H	JC	3-8-05	PT-12 WAS B994-83-003	2528
G	JC	27-7-05	PT-16 WAS B873-95-001	2525

Copyright © 1998 - THIS DESIGN/DRAWING IS THE PROPERTY OF MONO EQUIPMENT LTD. AND MUST NOT BE REPRODUCED, COPIED, NOR ITS CONTENTS DIVULGED WITHOUT PRIOR WRITTEN PERMISSION.



IF IN ANY DOUBT - ASK



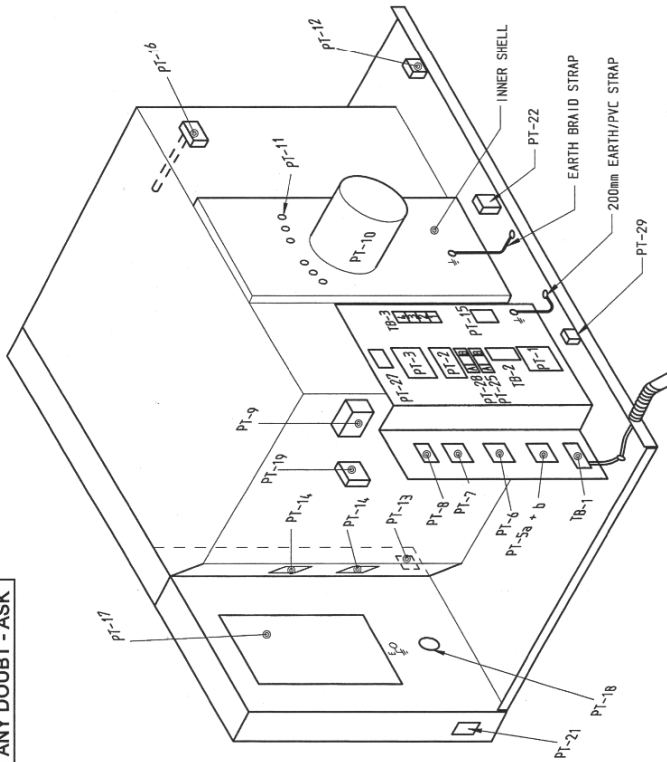
REV	SIG	DATE	REVISION	ECN NO.
C	JC	27-03-07	PT-28 & 29 ADDED	2946
B	JC	22-11-04	PT-18 CHANGED	2329
A	JC	29-9-03	SWITCH (PT18) CHANGED	2057

MONO EQUIPMENT QUEENSWAY SWANSEA WEST IND PARK SWANSEA, SA4 4EB. TEL: (01792) 561234 FAX: (01792) 561016		TITLE: BXC 4 TRAY OVEN CONTROL CIRCUIT (WITH CONDENSER IF FITTED)
ELECTRICAL SPECIFICATIONS:-		DRAWN: JC
ELECTRICALLY APPROVED BY:-		P. BOYLES
DATE: 27-1-03		DRAWING NO. M159E25-11100
REV: C		

COPYRIGHT © 1998 - THIS DESIGN/DRAWING IS THE PROPERTY OF MONO EQUIPMENT LTD. AND MUST NOT BE REPRODUCED, COPIED, NOR ITS CONTENTS DIVULGED WITHOUT PRIOR WRITTEN PERMISSION.



IF IN ANY DOUBT - ASK



DRAWING PT-Ref	DESCRIPTION	MONO PART NUMBER
PT-1	24V DC POWER SUPPLY UNIT	B801-93-005
PT-2a	INTERIOR LIGHT RELAY	B723-37-004
PT-2b	INTERIOR LIGHT RELAY BASE	B723-36-001
PT-3	CONTROL CIRCUIT M.C.B.	B872-22-062
PT-5a	FAN MOTOR OVERLOAD UNIT	B801-93-020
PT-5b	FAN MOTOR OVERLOAD AUXILIARY CONTACT	B801-14-012
PT-6	FAN MOTOR FORWARD CONTACTOR	B801-08-031
PT-7	FAN MOTOR REVERSE CONTACTOR	B801-08-021
PT-8	HEATING ELEMENT (L/H)	B801-08-021
PT-9	DAMPER SOLENOID (R/H)	B749-83-003
PT-10	FAN MOTOR UNIT	B720-74-001
* PT-11	HEATING ELEMENT (240V)	B847-04-067
* PT-11	HEATING ELEMENT (220V)	B847-04-074
PT-12	4T WATER INLET ASSY	158-17-00400
PT-13	DOOR SWITCH	B842-07-023
PT-14a	INTERIOR LIGHT UNIT	B721-67-011
PT-14b	INTERIOR LIGHT BULB	B857-94-007
PT-15	BUZZER	B723-92-002
PT-16	THERMOCOUPLE	B873-95-002
PT-17	PCB ASSEMBLY	M158-25-14000
PT-18	PUSHBUTTON-GREEN-LATCHING	B836-07-004
PT-19	REAR COOLING FAN	B869-75-018
PT-21	DATA LINK SOCKET-CABLE	B705-25-005
PT-22	OVERHEAT THERMOSTAT	B888-30-014
PT-25	INTERNAL LIGHT FUSE	B842-85-042
PT-27	FAN FUSE	B842-85-025
PT-28	AUX FUSE	B842-85-039
PT-29	AUX SUPPLY SOCKET	B970-06-001

REV	SIG	DATE	REVISION	ECN NO.
N	RAC	01-04-10	PT14A WAS B721-67-006; PT14B WAS B857-94-004	315/09
M	RAC	10-2-10	PT17A & B NOW PT17 & PT NO CHANGE	338/09
L	JC	29-01-09	PT13 WAS ASSY 154-25-01200 (B801-11-001)	195/08
K	JC	27-03-07	PT-28 & 29 ADDED	2946
J	JC	30-10-06	PT-9 WAS B749-83-001 & B749-83-002	2868
I	RAC	1-11-05	B801- WAS B859-	2573
H	JC	3-8-05	PT-12 WAS B994-83-003	2528
G	JC	27-7-05	PT-16 WAS B873-95-001	2525
F	JC	13-6-05	PT-1 WAS B705-93-006	2483
E	JC	7-4-05	PT-14A WAS B721-67-001	2435
D	JC	22-11-04	PT-18 CHANGED	2329
C	JC	22-11-04	PT-19 WAS B869-75-023	2318
B	JC	25-9-03	SWITCH (PT-18) CHANGED	2057
A	JC	22-1-03	PT-27 AND WIRING FOR REAR FAN UNIT ADDED	1927
REV	SIG	DATE	REVISION	ECN NO.

REV	SIG	DATE	REVISION	ECN NO.

MONO EQUIPMENT
QUEENSWAY
SWANSEA WEST IND PARK
SWANSEA, W. SA5 4EB.
TEL: (01782) 561234
FAX: (01782) 561016

TITLE:
ELECTRICAL COMPONENTS LAYOUT
BXC 4 TRAY OVEN

DRAWN:
JC

ELECTRICALLY APPROVED BY:
[Signature]

ELECTRICAL SPECIFICATIONS:-
380/415V 3PH 50HZ

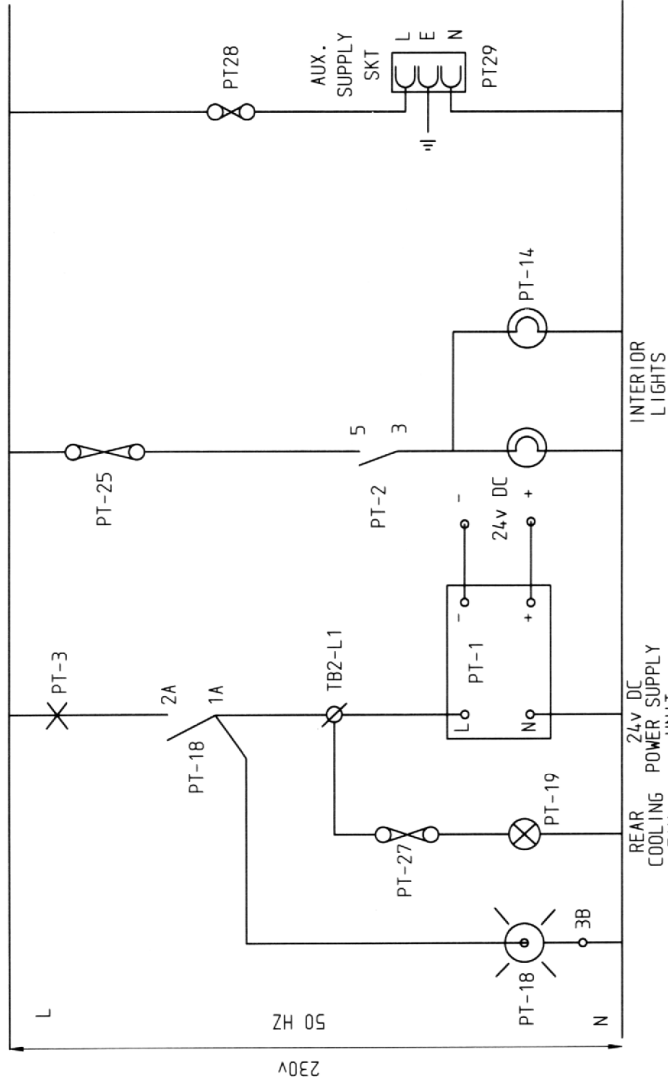
DATE:
3-1-02

DRAWING NO.
M158E25-20600

REV:
N

COPYRIGHT © 1998 - THIS DESIGN/DRAWING IS THE PROPERTY OF MONO EQUIPMENT LTD. AND MUST NOT BE REPRODUCED, COPIED, NOR ITS CONTENTS DIVULGED WITHOUT PRIOR WRITTEN PERMISSION.

IF IN ANY DOUBT - ASK



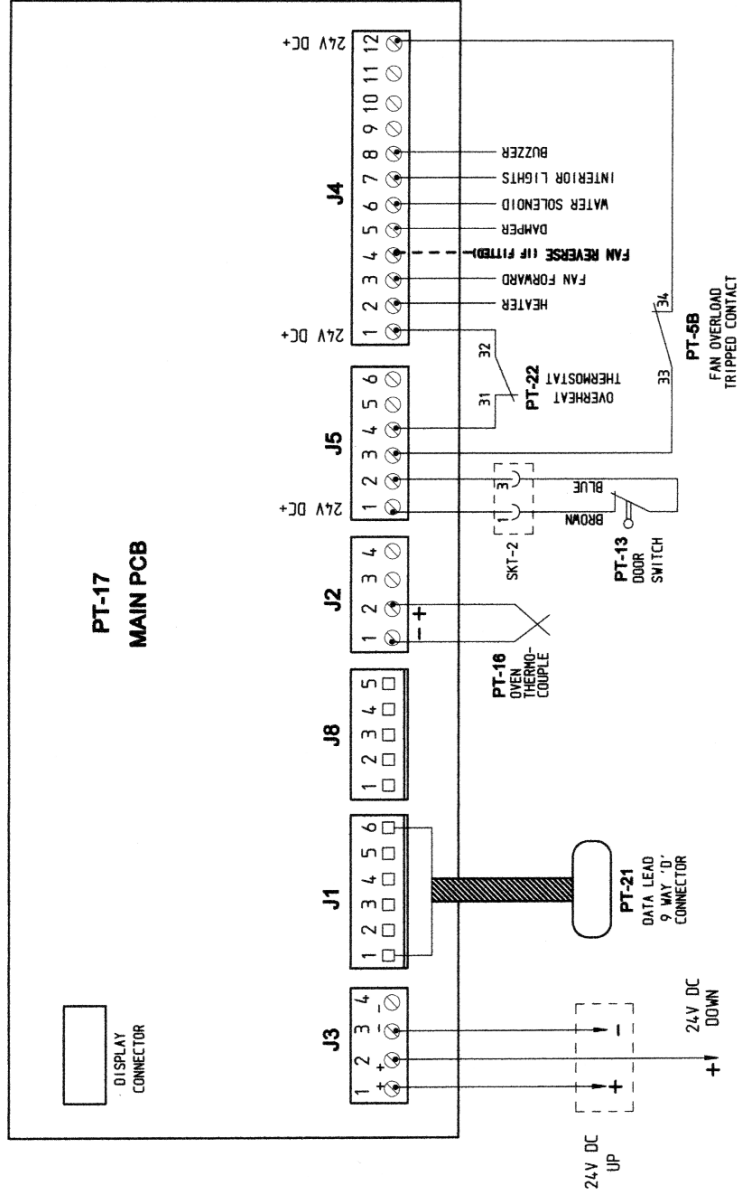
REV	SIG	DATE	REVISION	ECN NO.
D	JC	27-03-07	PT-28 & 29 ADDED	2946
C	JC	22-11-04	PT-18 CHANGED	2329
B	JC	25-9-03	SWITCH (PT-18) CHANGED	2057
A	JC	22-1-03	ADD WIRING FOR REAR FAN UNIT	1927

 MONO EQUIPMENT QUEENSWAY SWANSEA WEST IND PARK SWANSEA, SA6 7EB 034 TEL: (01792) 561016 FAX: (01792) 561016		TITLE: BX 4 TRAY OVEN CONTROL CIRCUIT
ELECTRICAL SPECIFICATIONS:- DRAWN: JC DATE: 14/12/01	ELECTRICALLY APPROVED BY:- P. BOYLES	DRAWING NO. M158E25-20700 REV. D

COPYRIGHT © 1998 - THIS DESIGN/DRAWING IS THE PROPERTY OF MONO EQUIPMENT LTD. AND MUST NOT BE REPRODUCED, COPIED, NOR ITS CONTENTS DIVULGED WITHOUT PRIOR WRITTEN PERMISSION.



IF IN ANY DOUBT - ASK



REV	SIG	DATE	REVISION	ECN NO.
			BXC 4 TRAY OVEN PCB CONNECTIONS	

MONO EQUIPMENT
 QUEENSWAY WEST IND PARK
 SWANSEA
 SA5 4EB.
 TEL: (01792) 561234
 FAX: (01792) 561016

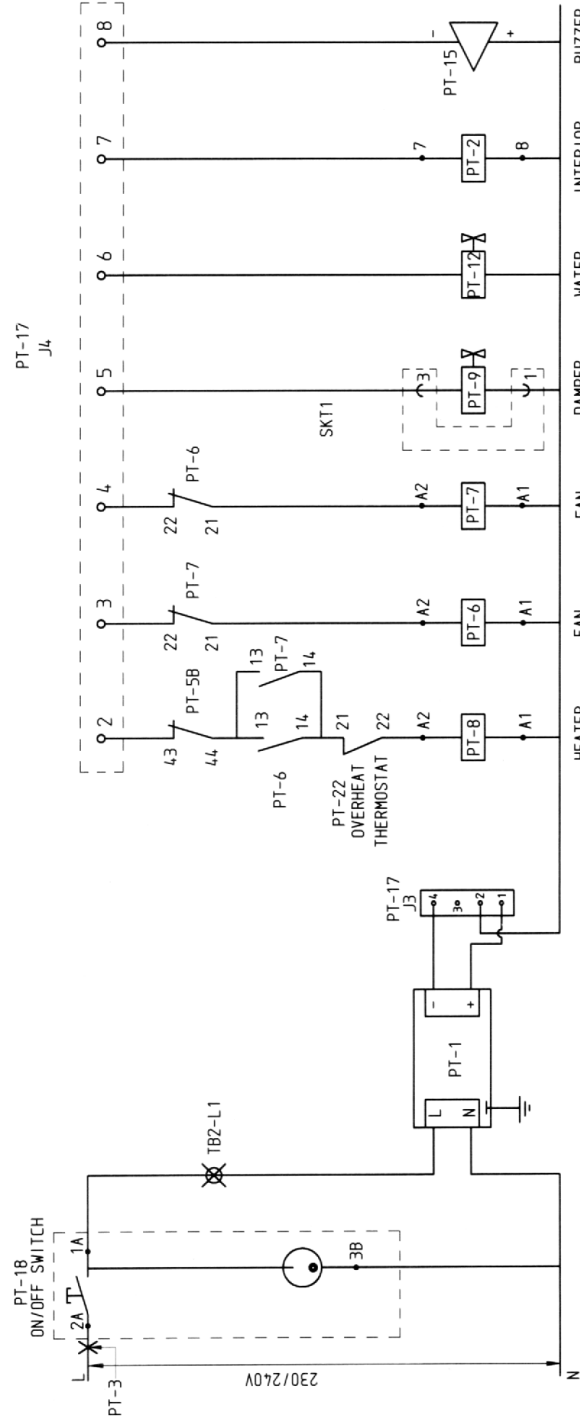
ELECTRICAL SPECIFICATIONS:-
 3PH & 1PH

DRAWN: JC
ELECTRICALLY APPROVED BY:- A. THOMAS
DATE: 6-6-06
DRAWING NO. M158E25-21000
REV: -

COPYRIGHT © 1998 - THIS DESIGN/DRAWING IS THE PROPERTY OF MONO EQUIPMENT LTD. AND MUST NOT BE REPRODUCED, COPIED, NOR ITS CONTENTS DIVULGED WITHOUT PRIOR WRITTEN PERMISSION.



IF IN ANY DOUBT - ASK



REV	SIG	DATE	REVISION	ECN NO.
E	JC	27-03-07	PT-22 WIRING CHANGED	2946
D	RAC	1-11-05	A1 A2 REVERSED	2573
C	JC	22-11-04	PT-18 CHANGED	2329
B	JC	25-9-03	SWITCH (PT-18) CHANGED	2057
A	JC	22-1-03	ADD WIRING FOR REAR FAN UNIT	1927

MONO EQUIPMENT
 QUEENSWAY
 SWANSEA WEST IND PARK
 SWANSEA,
 SAWANA.
 TEL: (01792) 881024
 FAX: (01792) 881016

TITLE:
 BXC 4 TRAY OVEN
 PCB OUTPUTS

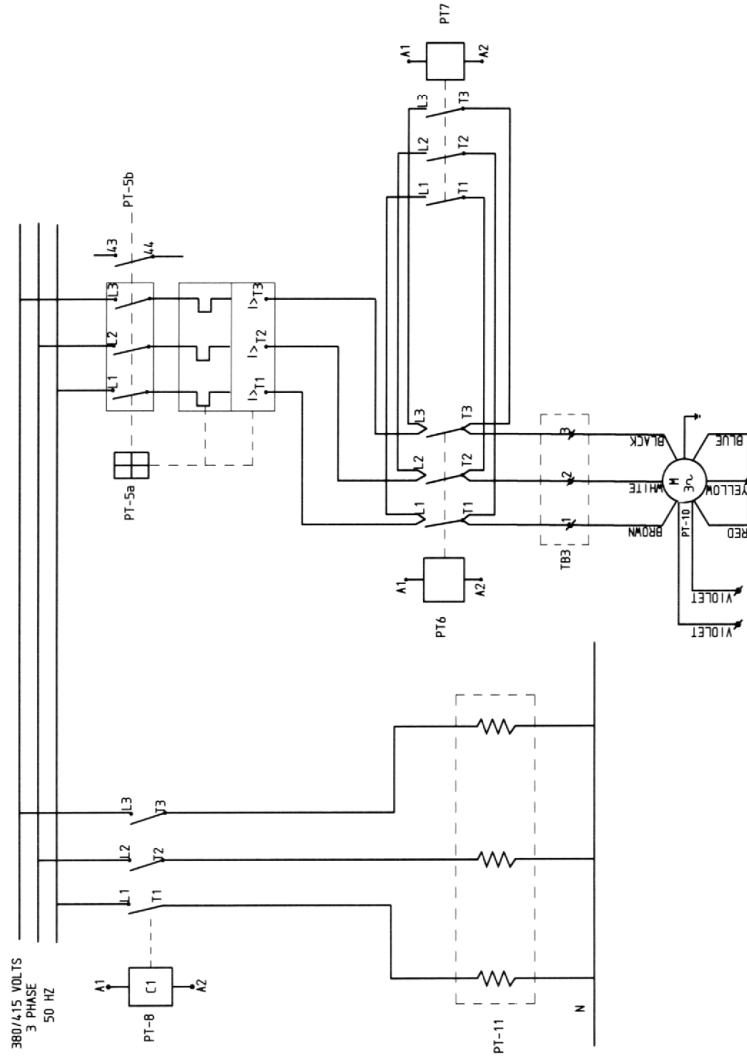
DRAWN: JC
 ELECTRICALLY APPROVED BY:
 P. BOYLES

DATE: 3-1-02
 DRAWING NO: M158E25-20800
 REV: E

ELECTRICAL SPECIFICATIONS:-
 COPYRIGHT © 1998 - THIS DESIGN/DRAWING IS THE PROPERTY OF MONO EQUIPMENT LTD. AND MUST NOT BE REPRODUCED, COPIED, OR ITS CONTENTS DIVULGED WITHOUT PRIOR WRITTEN PERMISSION.



IF IN ANY DOUBT - ASK

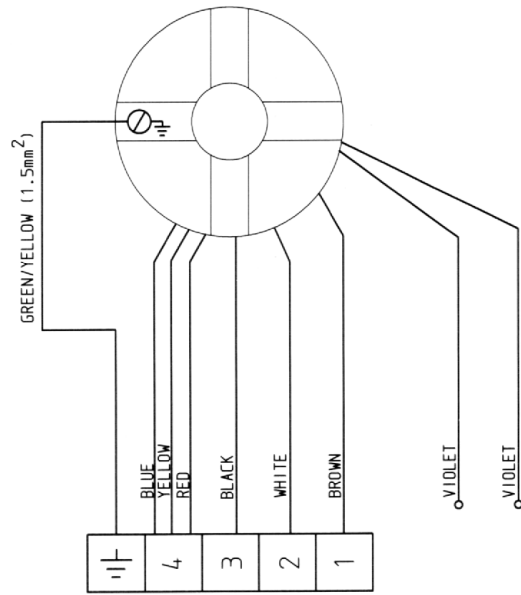


REV	SIG	DATE	REVISION	ECN NO.
A	JC	27-03-07	PT-22 REMOVED	2946
MONO EQUIPMENT QUEENSWAY 100 SEA WEST IND PARK SWANSEA SA5 4EB TEL: (01792) 561234 FAX: (01792) 561016				
ELECTRICAL SPECIFICATIONS:-			TITLE:	
DRAWN: MT			POWER CIRCUIT DIAGRAM	
DATE: 29-6-99			4 TRAY OVEN	
DRAWING NO. M158E25-01800			ELECTRICALLY APPROVED BY:-	
REV: A			P. BOYLES	

COPYRIGHT © 1998 - THIS DESIGN/DRAWING IS THE PROPERTY OF MONO EQUIPMENT LTD. AND MUST NOT BE REPRODUCED, COPIED, OR ITS CONTENTS DIVULGED WITHOUT PRIOR WRITTEN PERMISSION.

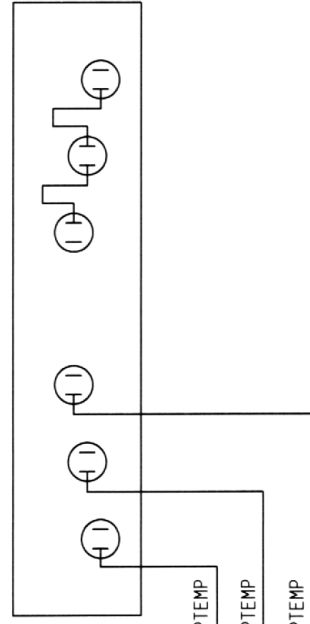


IF IN ANY DOUBT - ASK



FAN MOTOR CONNECTIONS

PT11



- L1 1.5 mm² PTEMP
- L2 1.5 mm² PTEMP
- L3 1.5 mm² PTEMP

HEATING ELEMENT WIRING

REV	SIG	DATE	REVISION	ECN NO.
			FAN MOTOR CONNECTIONS & HEATING ELEMENT WIRING 4 TRAY OVEN / COLOUR DISPLAY	
 MONO EQUIPMENT QUEENSWAY SWANSEA WEST IND PARK SWANSEA, SA5 4EB. TEL: (01792) 561234 FAX: (01792) 561016			TITLE: DRAWN: DATE:	
ELECTRICAL SPECIFICATIONS:-			ELECTRICALLY APPROVED BY:-	
4.15V 3PH 50HZ			P. BOYLES	
			DRAWING NO. M158E25-20900	
			REV: -	

COPYRIGHT © 1998 - THIS DESIGN/DRAWING IS THE PROPERTY OF MONO EQUIPMENT LTD. AND MUST NOT BE REPRODUCED, COPIED, NOR ITS CONTENTS DIVULGED WITHOUT PRIOR WRITTEN PERMISSION.



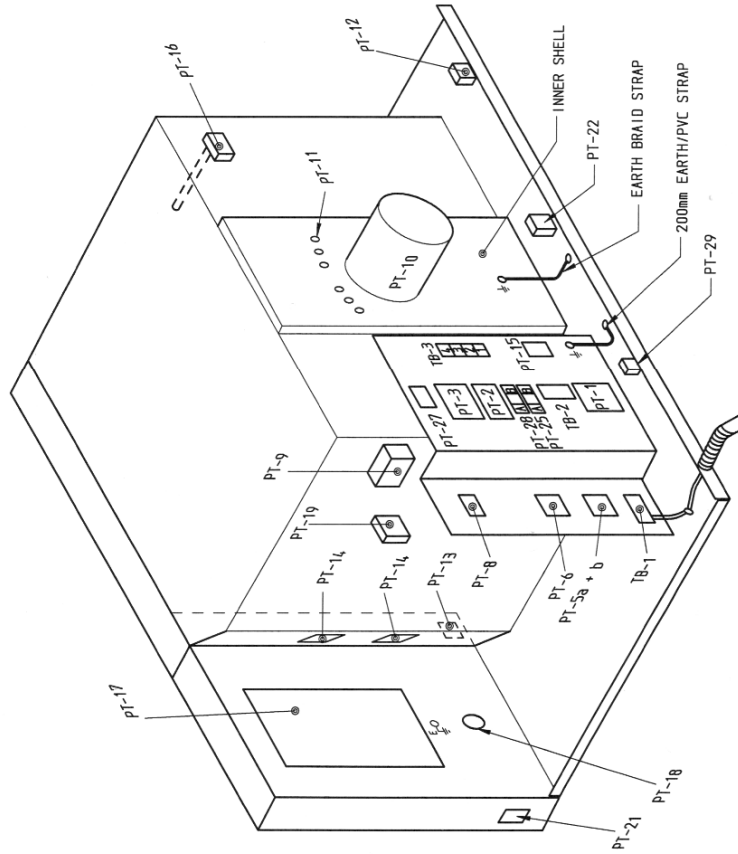
FG158 4 TRAY 1 phase

M158E25-22500	COMPONENTS
M158E25-21000	PCB CONNECTIONS
M158E25-20700	CONTROL CIRCUIT
M158E25-22600	PCB OUTPUTS
M158E25-51300	POWER CIRCUIT
M158E25-52200	FAN AND ELEMENT WIRING

FOR ENGINEERS USE ONLY.
DO NOT ATTEMPT ANY ALTERATIONS.
IF IN DOUBT, CONTACT MONO FOR ADVICE

SECTION 4

IF IN ANY DOUBT - ASK



DRAWING PT-Ref	DESCRIPTION	MONO PART NUMBER
PT-1	24V DC POWER SUPPLY UNIT	8801-93-005
PT-2a	INTERIOR LIGHT RELAY	8723-37-004
PT-2b	INTERIOR LIGHT RELAY BASE	8723-36-001
PT-3	CONTROL CIRCUIT M.C.B.	8872-22-062
PT-5a	FAN MOTOR OVERLOAD UNIT	8801-03-023
PT-5b	FAN MOTOR OVERLOAD AUXILIARY CONTACT	8801-14-012
PT-6	FAN MOTOR CONTACTOR	8801-08-031
PT-8	HEATING ELEMENT CONTACTOR	8801-08-021
PT-9	DAMPER SOLENOID (L/R/H)	8749-83-001
PT-10	FAN MOTOR UNIT	8749-83-002
* PT-11	HEATING ELEMENT (240v)	8847-04-001
* PT-11	HEATING ELEMENT (220v)	8847-04-007
PT-12	4T WATER INLET ASSY	158-17-004.00
PT-13	DOOR SWITCH	8842-07-023
PT-14a	INTERIOR LIGHT UNIT	8721-67-011
PT-14b	INTERIOR LIGHT BULB	8857-94-007
PT-15	BUZZER	8723-92-002
PT-16	THERMOCOUPLE	8873-95-002
PT-17	PCB ASSEMBLY	M158-25-14.000
PT-18	PUSHBUTTON-GREEN-LATCHING	8836-07-004
PT-19	REAR COOLING FAN	8869-75-018
PT-21	DATA LINK SOCKET-CABLE	8705-25-005
PT-22	OVERHEAT THERMOSTAT	8888-30-014
PT-25	INTERNAL LIGHT FUSE	8842-85-042
PT-27	FAN FUSE	8842-85-025
PT-28	AUX FUSE	8842-85-039
PT-29	AUX SUPPLY SOCKET	8970-06-001

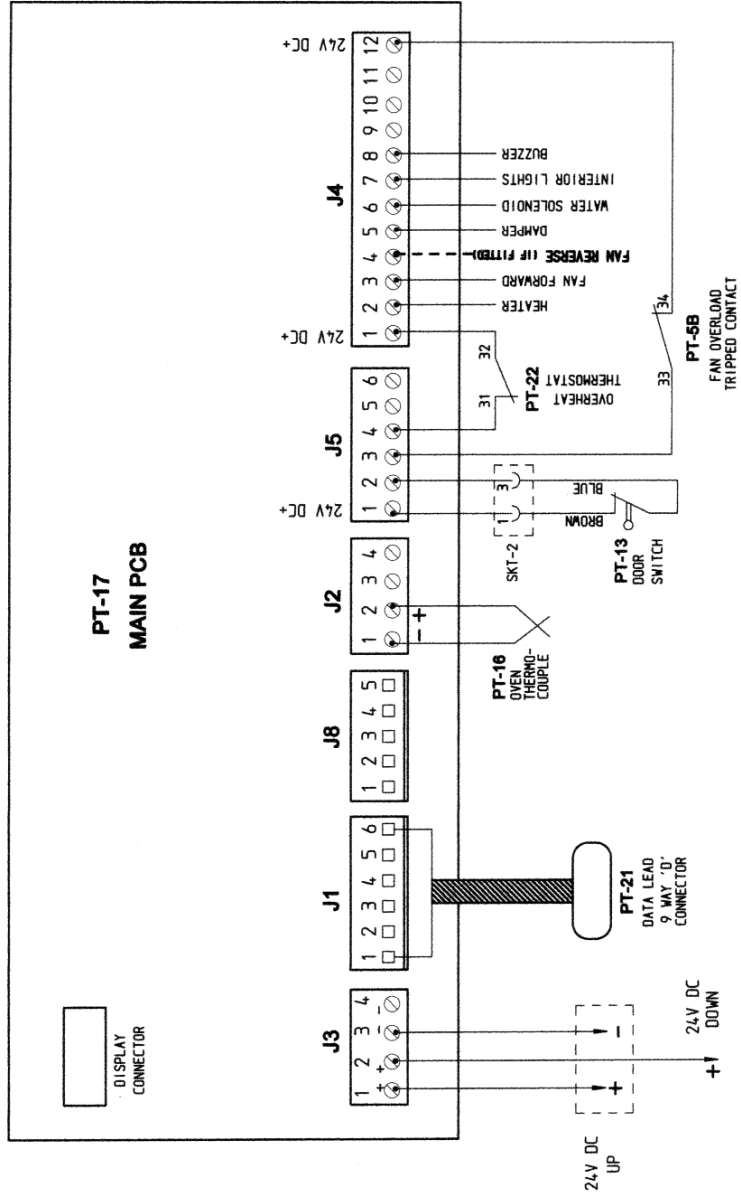
REV	SIG	DATE	REVISION	ECN NO.
D	RAC	01-04-10	PT114A WAS B721-67-006; PT114B WAS B857-94-004	B15/09
C	RAC	10-2-10	PT117A & B NOW PT17 AND PT NO CHANGED	B38/09
B	JC	29-01-09	PT113 WAS ASSY 154-25-01200 (B801-11-001)	195/08
A	JC	27-03-07	PT-28 & 29 ADDED	2946

 MONO EQUIPMENT SWANSEA WEST IND PARK SWANSEA SA5 4EB. TEL: (01792) 561234 FAX: (01792) 561016	TITLE: ELECTRICAL COMPONENTS LAYOUT BXC 4 TRAY OVEN
ELECTRICAL SPECIFICATIONS:- 230V 1PH 50HZ	DRAWN: JC ELECTRICALLY APPROVED BY:-
DATE: 6-6-06 DRAWING NO. M158E25-22500	
REV: D	

COPYRIGHT © 1998 - THIS DESIGN/DRAWING IS THE PROPERTY OF MONO EQUIPMENT LTD. AND MUST NOT BE REPRODUCED, COPIED, NOR ITS CONTENTS DIVULGED WITHOUT PRIOR WRITTEN PERMISSION.



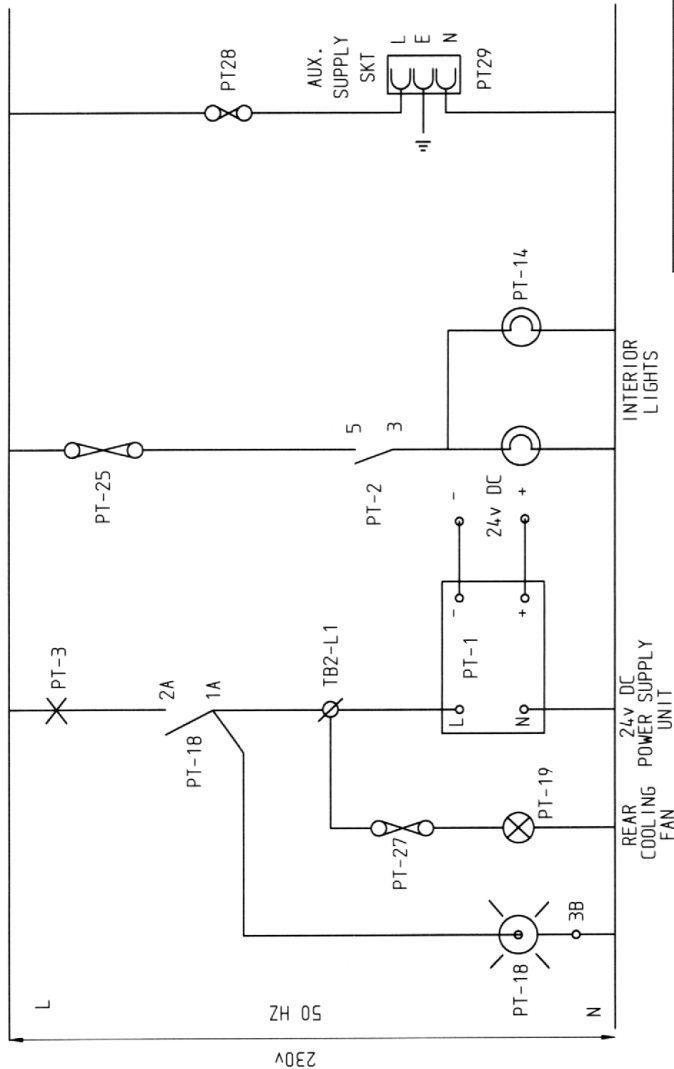
IF IN ANY DOUBT - ASK



REV	SIG	DATE	REVISION	ECN NO.
			BXC 4 TRAY OVEN PCB CONNECTIONS	
MONO EQUIPMENT QUEENSWAY WEST IND PARK SWANSEA SA5 4EB. TEL: (01792) 561234 FAX: (01792) 561016				
ELECTRICAL SPECIFICATIONS:-			DRAWN: JC	ELECTRICALLY APPROVED BY:-
3PH & 1PH			A. THOMAS	
DATE: 6-6-06			DRAWING NO. M158E25-21000	REV: -
COPYRIGHT © 1998 - THIS DESIGN/DRAWING IS THE PROPERTY OF MONO EQUIPMENT LTD. AND MUST NOT BE REPRODUCED, COPIED, NOR ITS CONTENTS DIVULGED WITHOUT PRIOR WRITTEN PERMISSION.				



IF IN ANY DOUBT - ASK

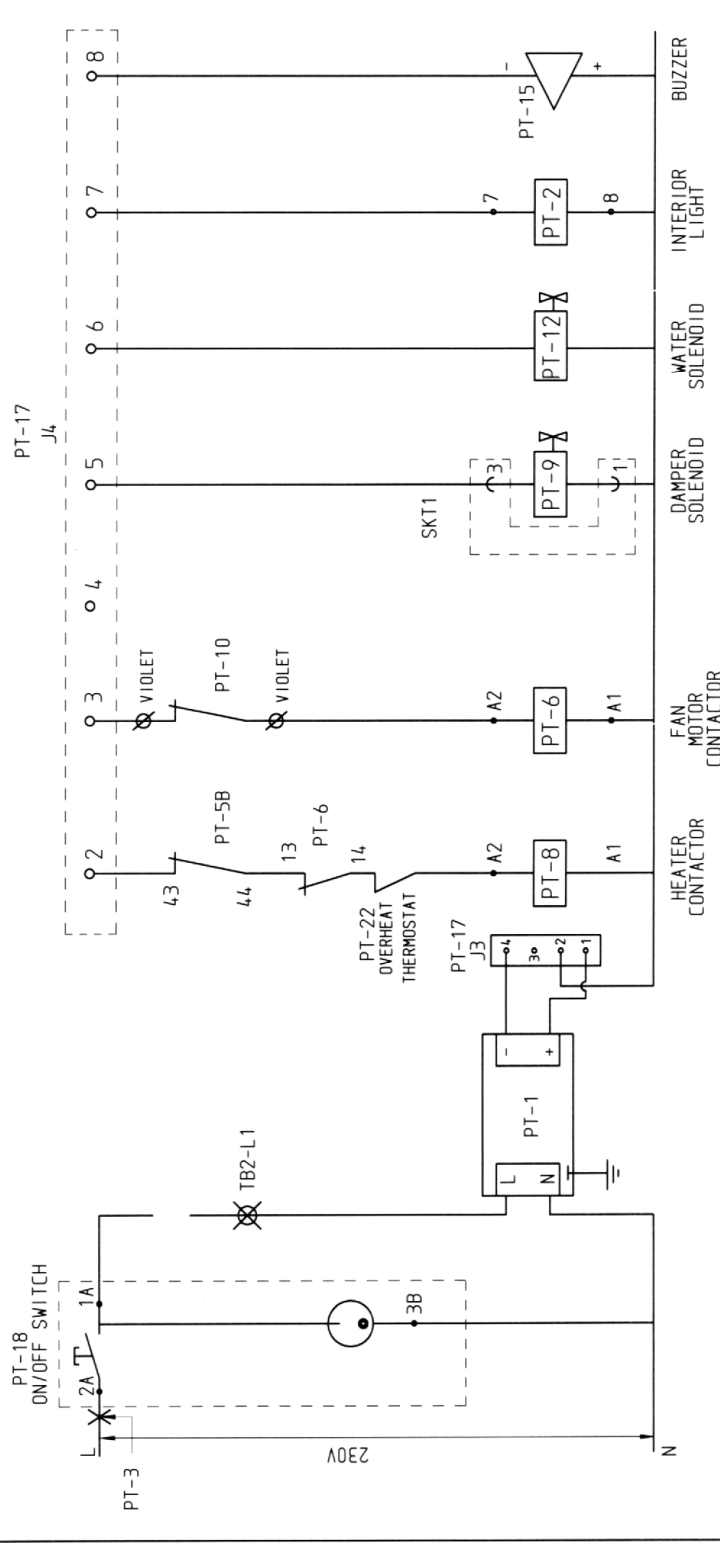


REV	SIG	DATE	REVISION	ECN NO.
D	JC	27-03-07	PT-28 & 29 ADDED	2946
C	JC	22-11-04	PT-18 CHANGED	2329
B	JC	25-9-03	SWITCH (PT-18) CHANGED	2057
A	JC	22-1-03	ADD WIRING FOR REAR FAN UNIT	1927

<p>MONO EQUIPMENT QUEENSWAY SWANSEA WEST IND PARK SWANSEA SA5 4EB TEL: (01782) 561234 FAX: (01782) 561016</p>	<p>TITLE: BX 4 TRAY OVEN CONTROL CIRCUIT</p>
<p>ELECTRICAL SPECIFICATIONS:-</p>	<p>DRAWN: JC</p>
<p>DATE: 14/12/01</p>	<p>REVISION</p>
<p>DRAWING NO. M158E25-20700</p>	<p>REV: D</p>

COPYRIGHT © 1998 - THIS DESIGN/DRAWING IS THE PROPERTY OF MONO EQUIPMENT LTD. AND MUST NOT BE REPRODUCED. COPIED, NOR ITS CONTENTS DIVULGED WITHOUT PRIOR WRITTEN PERMISSION.

IF IN ANY DOUBT - ASK



REV	SIG	DATE	REVISION	ECH NO.
A	JC	27-03-07	PT-22 WIRING CHANGED	2946

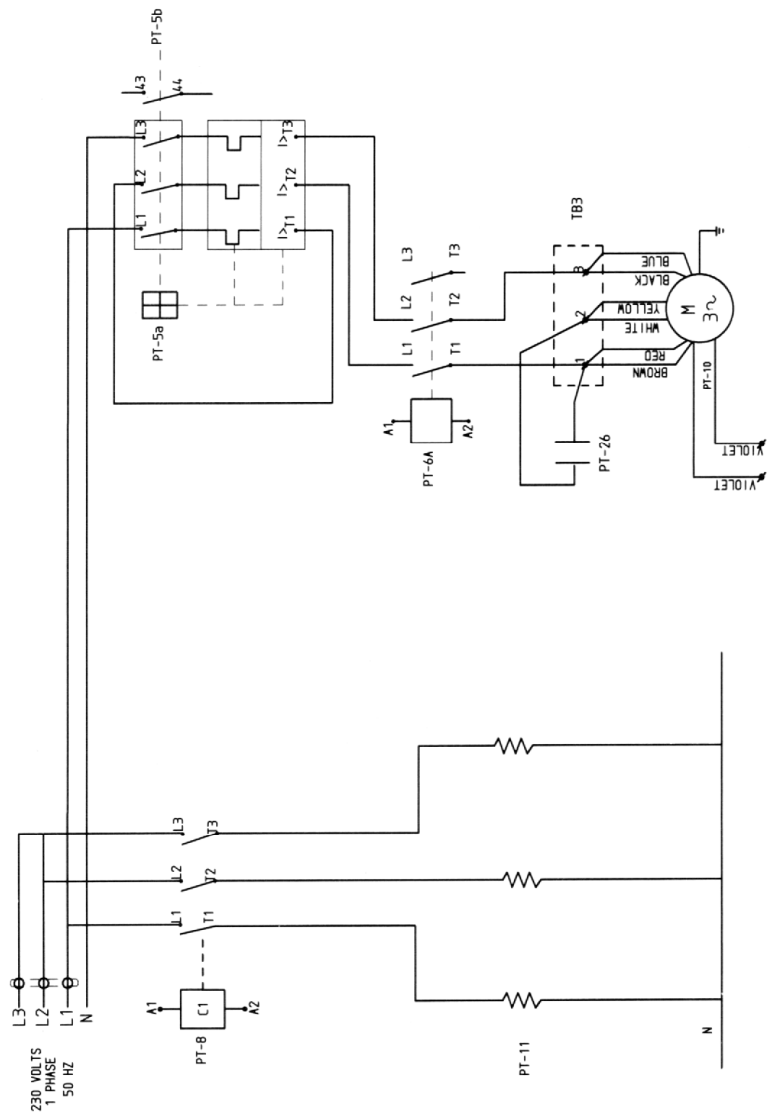
 MONO EQUIPMENT QUEENSWAY SWANSEA WEST IND PARK SWANSEA SAWADEA SA WA TEL: (01792) 561234 FAX: (01792) 561016	TITLE:
	BXC 4 TRAY OVEN PCB OUTPUTS

ELECTRICAL SPECIFICATIONS:-	DRAWN:	ELECTRICALLY APPROVED BY:-
230V 1PH/50Hz	JC	A. THOMAS
	DATE:	DRAWING NO.
	6-6-06	M158E25-22600
		REV:
		A

COPYRIGHT © 1998 - THIS DESIGN/DRAWING IS THE PROPERTY OF MONO EQUIPMENT LTD. AND MUST NOT BE REPRODUCED, COPIED, OR ITS CONTENTS DIVULGED WITHOUT PRIOR WRITTEN PERMISSION.



IF IN ANY DOUBT - ASK

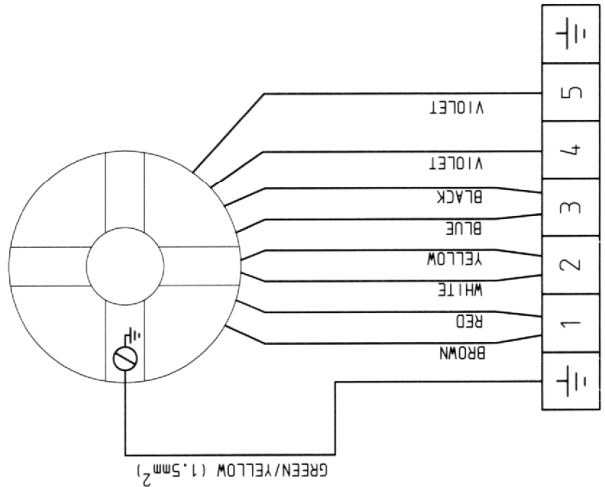


REV	SIG	DATE	REVISION	ECN NO.
A	JC	27-03-07	PT-22 REMOVED	2946
MONO EQUIPMENT QUEENSWAY SWANSEA WEST IND PARK SWANSEA. SA6 4EB. TEL: (01792) 881034 FAX: (01792) 881016				
TITLE: POWER CIRCUIT DIAGRAM 4 TRAY CLASSIC/COLOUR ONE WAY FAN ROTATING OVEN WITH STANDARD FAN IMPELLER				
DRAWN: JC ELECTRICALLY APPROVED BY: P. BOYLES				
ELECTRICAL SPECIFICATIONS:- 230V 1PH 50HZ				
DATE: 12-7-99 DRAWING NO. M158E25-51300 REV. A				

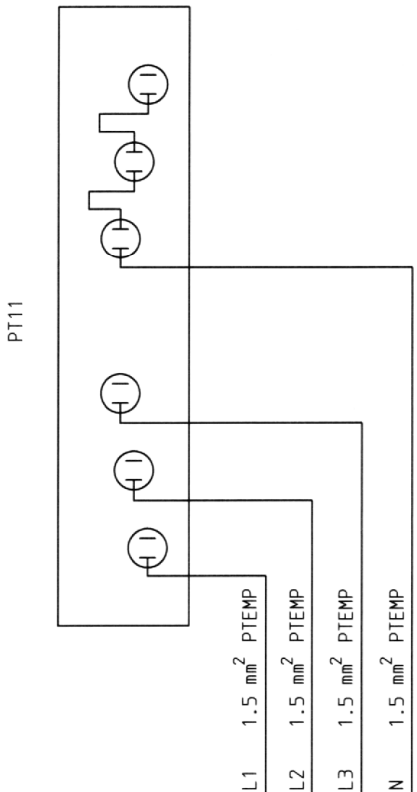
COPYRIGHT © 1998 - THIS DESIGN/DRAWING IS THE PROPERTY OF MONO EQUIPMENT LTD. AND MUST NOT BE REPRODUCED, COPIED, NOR ITS CONTENTS DIVULGED WITHOUT PRIOR WRITTEN PERMISSION.



IF IN ANY DOUBT - ASK



FAN MOTOR CONNECTIONS



HEATING ELEMENT WIRING

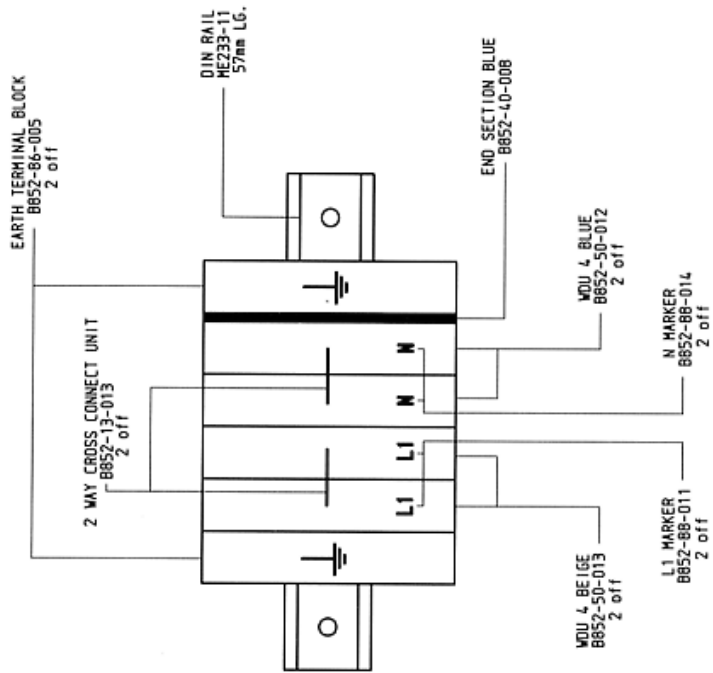
REV	SIG	DATE	REVISION	ECH NO.
			FAN MOTOR CONNECTIONS & HEATING ELEMENT WIRING 4 TRAY CLASSIC/COLOUR ONE WAY FAN ROTATING OVEN	
 MONO EQUIPMENT QUEENSWAY SWANSEA WEST IND PARK SWANSEA SA6 7EBB TEL: (01792) 561234 FAX: (01792) 561016			TITLE: FAN MOTOR CONNECTIONS & HEATING ELEMENT WIRING 4 TRAY CLASSIC/COLOUR ONE WAY FAN ROTATING OVEN	
ELECTRICAL SPECIFICATIONS:-			DRAWN: JC	ELECTRICALLY APPROVED BY: P. BOYLES
230V 1PH 50HZ			DATE: 15-7-99	DRAWING NO: M158E25-52200
			REV: —	

COPYRIGHT © 1998 - THIS DESIGN/DRAWING IS THE PROPERTY OF MONO EQUIPMENT LTD. AND MUST NOT BE REPRODUCED, COPIED, NOR ITS CONTENTS DIVULGED WITHOUT PRIOR WRITTEN PERMISSION.

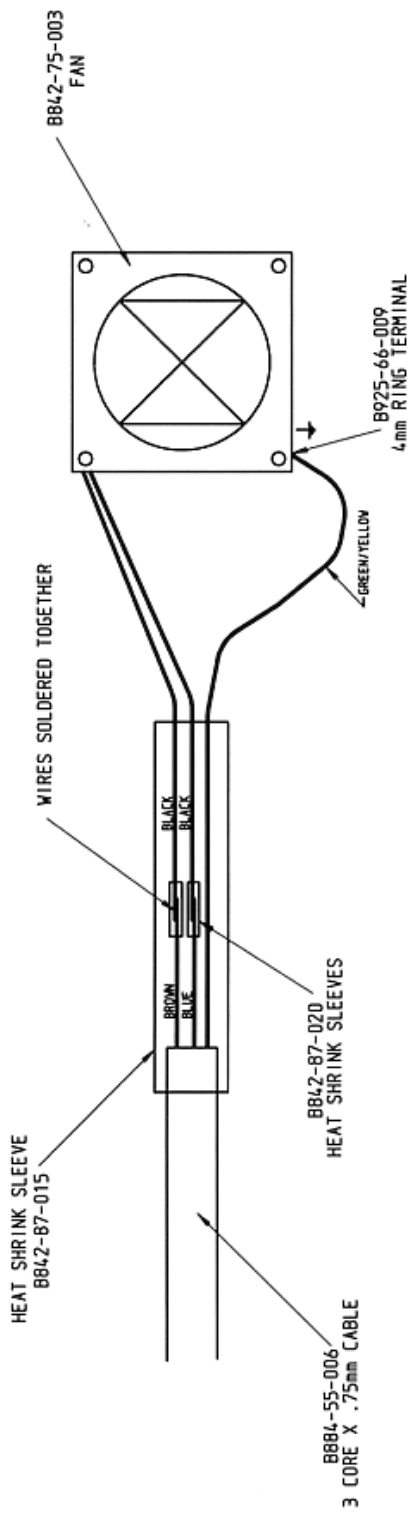


FOR ENGINEERS USE ONLY.
DO NOT ATTEMPT ANY ALTERATIONS.
IF IN DOUBT, CONTACT MONO FOR ADVICE

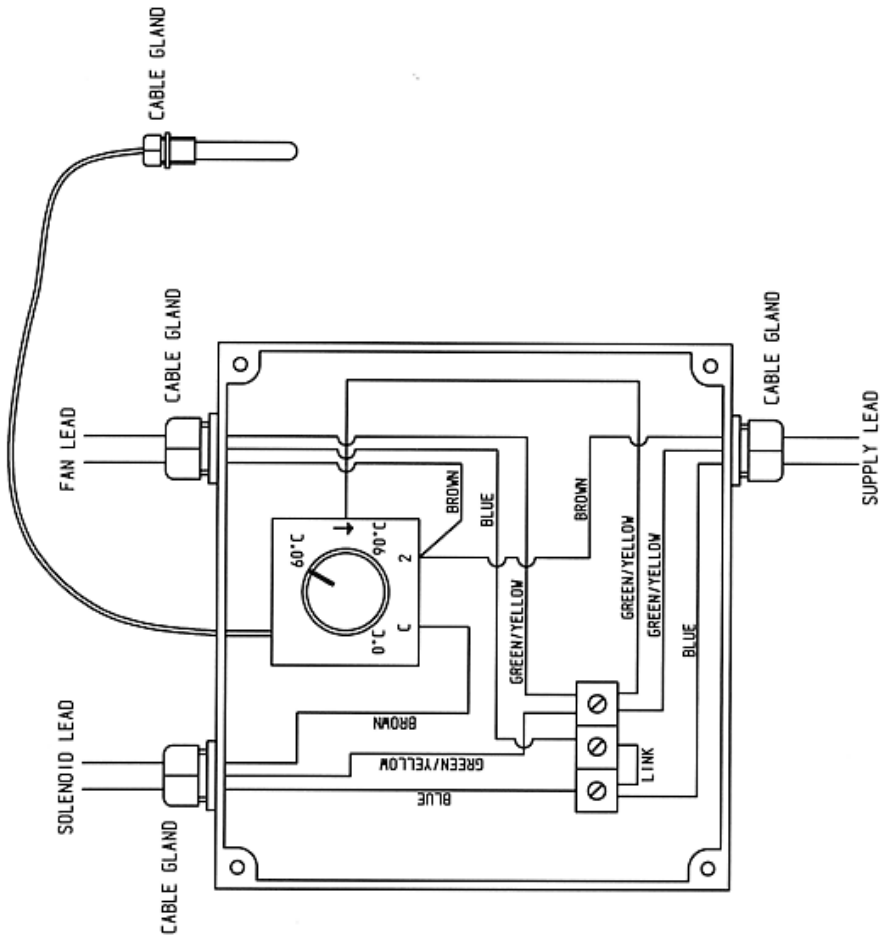
CONDENSER



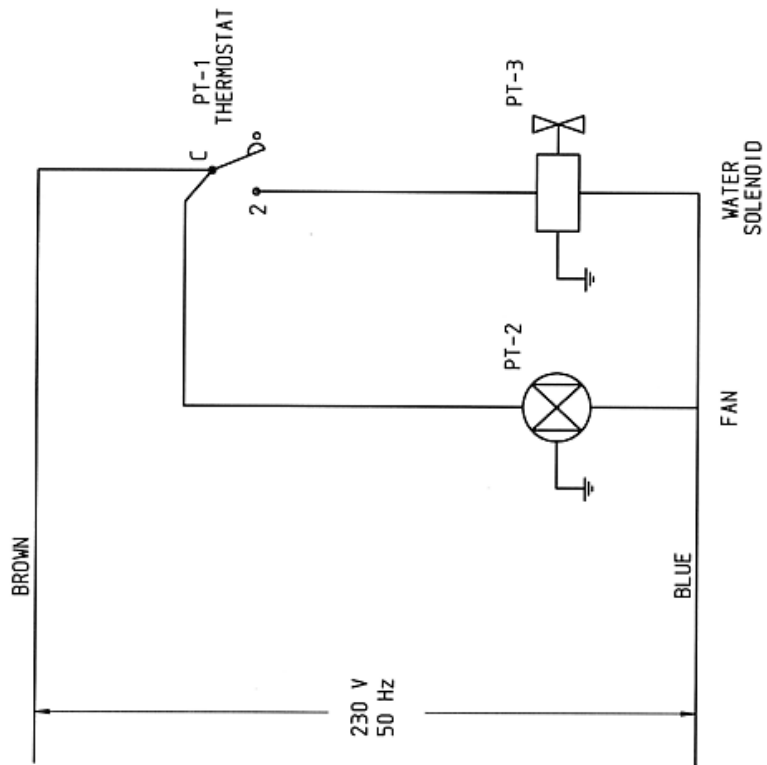
CONDENSER UNIT
 TERMINAL BLOCK LAYOUT
 M150-25-10000



CONDENSER UNIT
FAN CONNECTIONS
M150-25-10200



CONDENSER UNIT
ENCLOSURE BDX CONNECTIONS
M150-25-10300



CONDENSER UNIT
CIRCUIT DIAGRAM
M150-25-10100

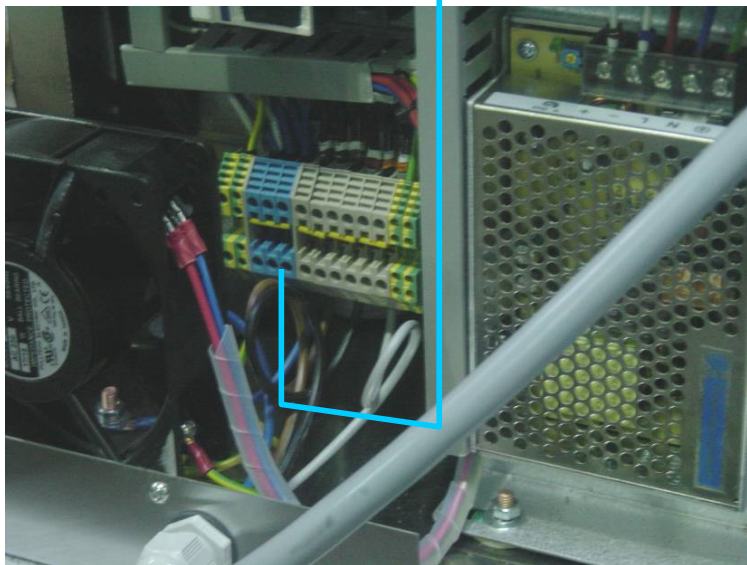
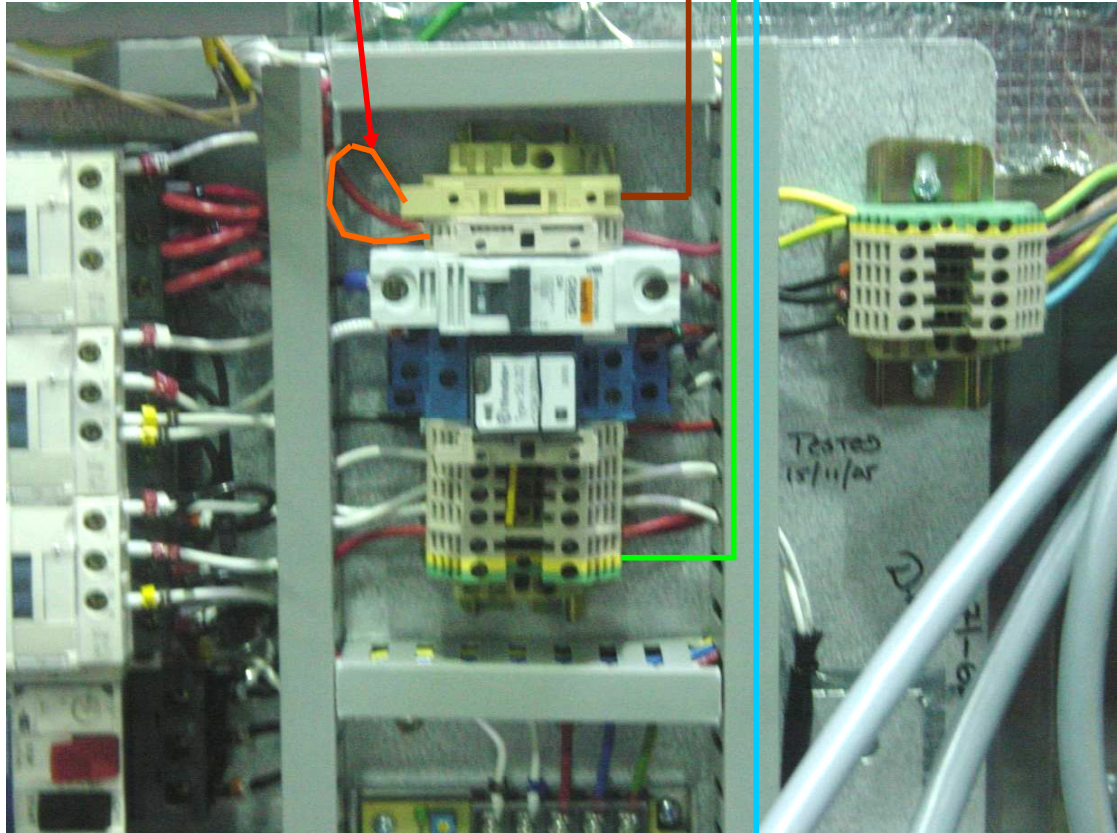
CONDENSER WIRING 4 TRAY OVEN

FIT LINK WIRE

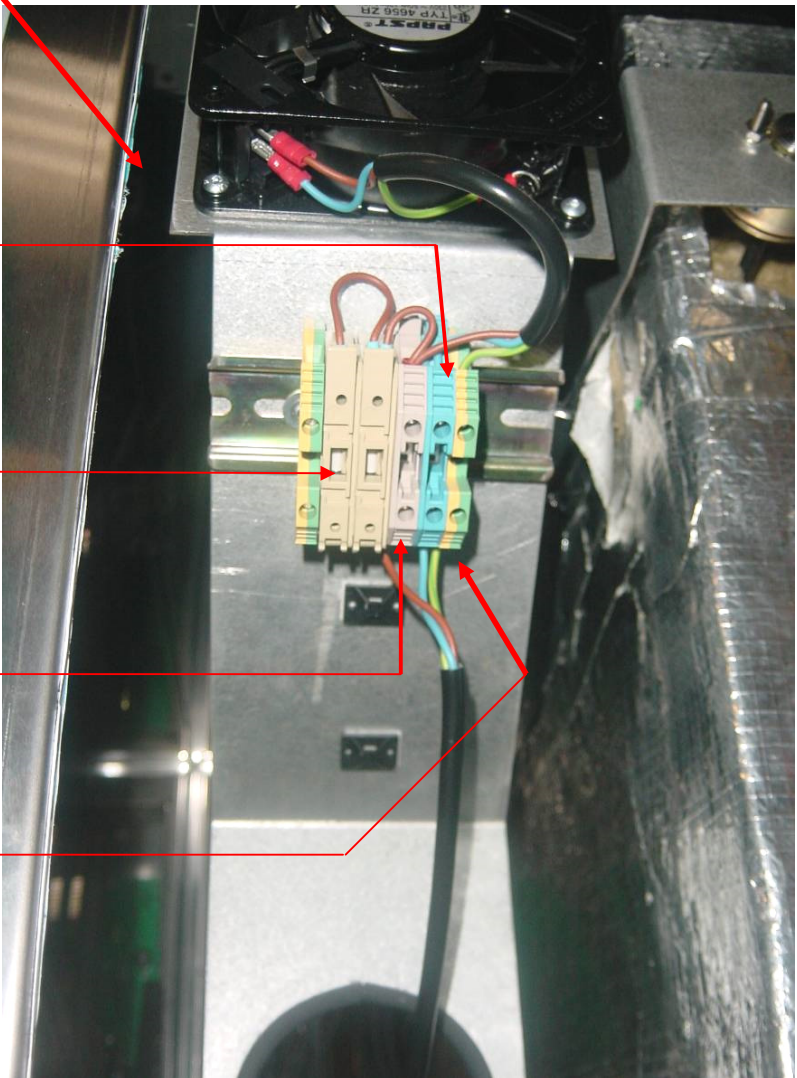
L

N

E



CONDENSER WIRING 10 TRAY Bx OVEN

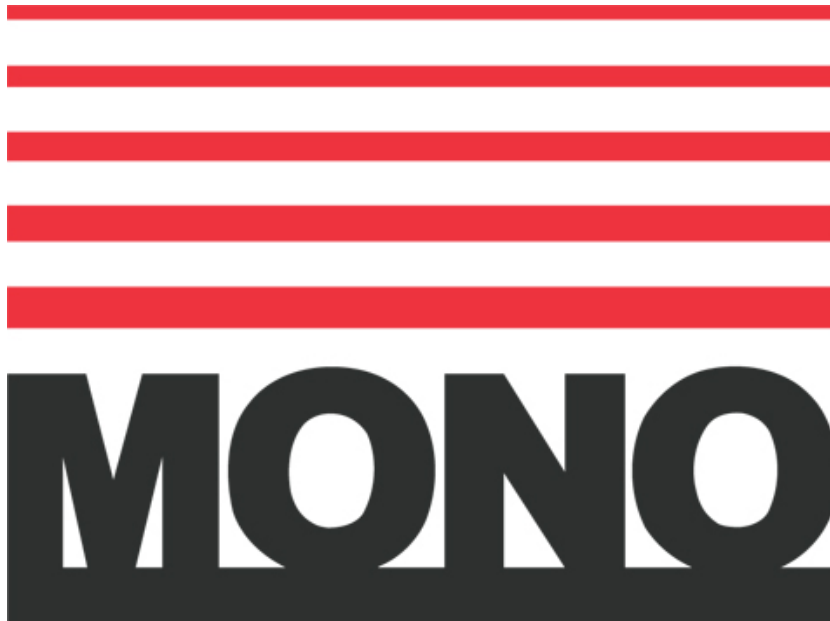


BLUE

1 AMP T FUSE

BROWN

GREEN/YELLOW



MONO Equipment

Queensway, Swansea West Industrial Park, Swansea, SA5 4EB UK

Tel. 01792 561234

Fax. 01792 561016

Email: mono@monoequip.com

www.monoequip.com

As it is our policy to improve our machines continuously, we reserve the right to change specifications without prior notice.