



www.monoequip.com



EPSILON

SPARES MANUAL

MACHINE NO.FG080

When ordering spares please quote the **machine serial number** which can be found on the silver information plate of the machine and on the front cover of your manual.

MONO EQUIPMENT
Queensway
Swansea West Industrial Estate
Swansea. SA5 4EB UK

Tel. +44(0)1792 561234
email:spares@monoequip.com
Spares Tel.+44(0)1792 564039
Fax. 01792 561016

CONTENTS

SECTION 1 **MAIN PARTS**

Page 3

Page 5 Parts list

SECTION 2 **HOPPER PARTS**

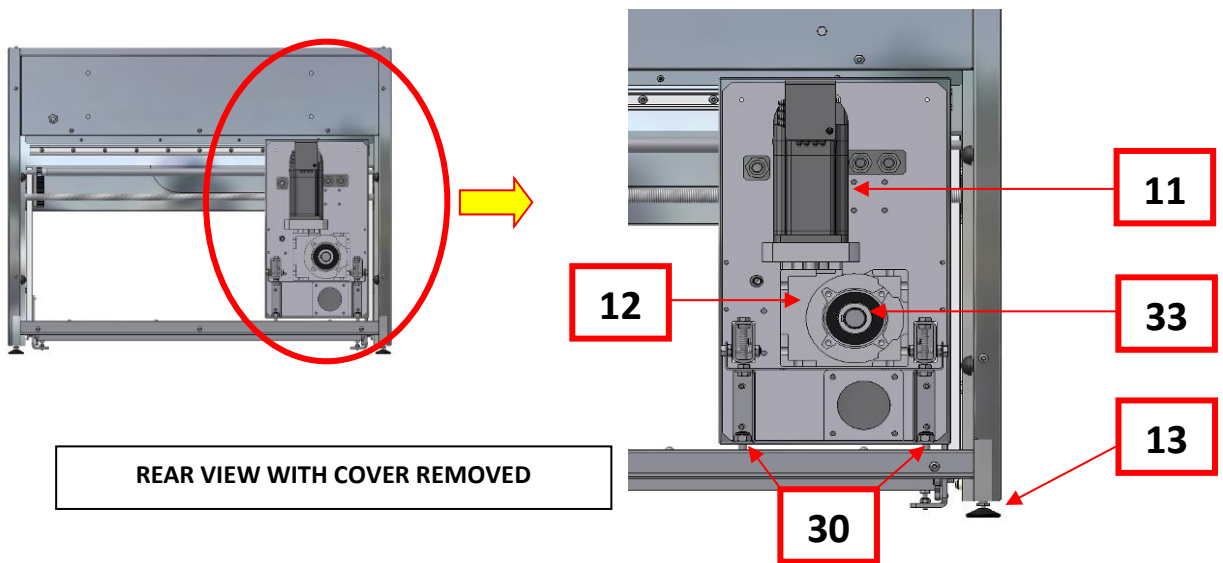
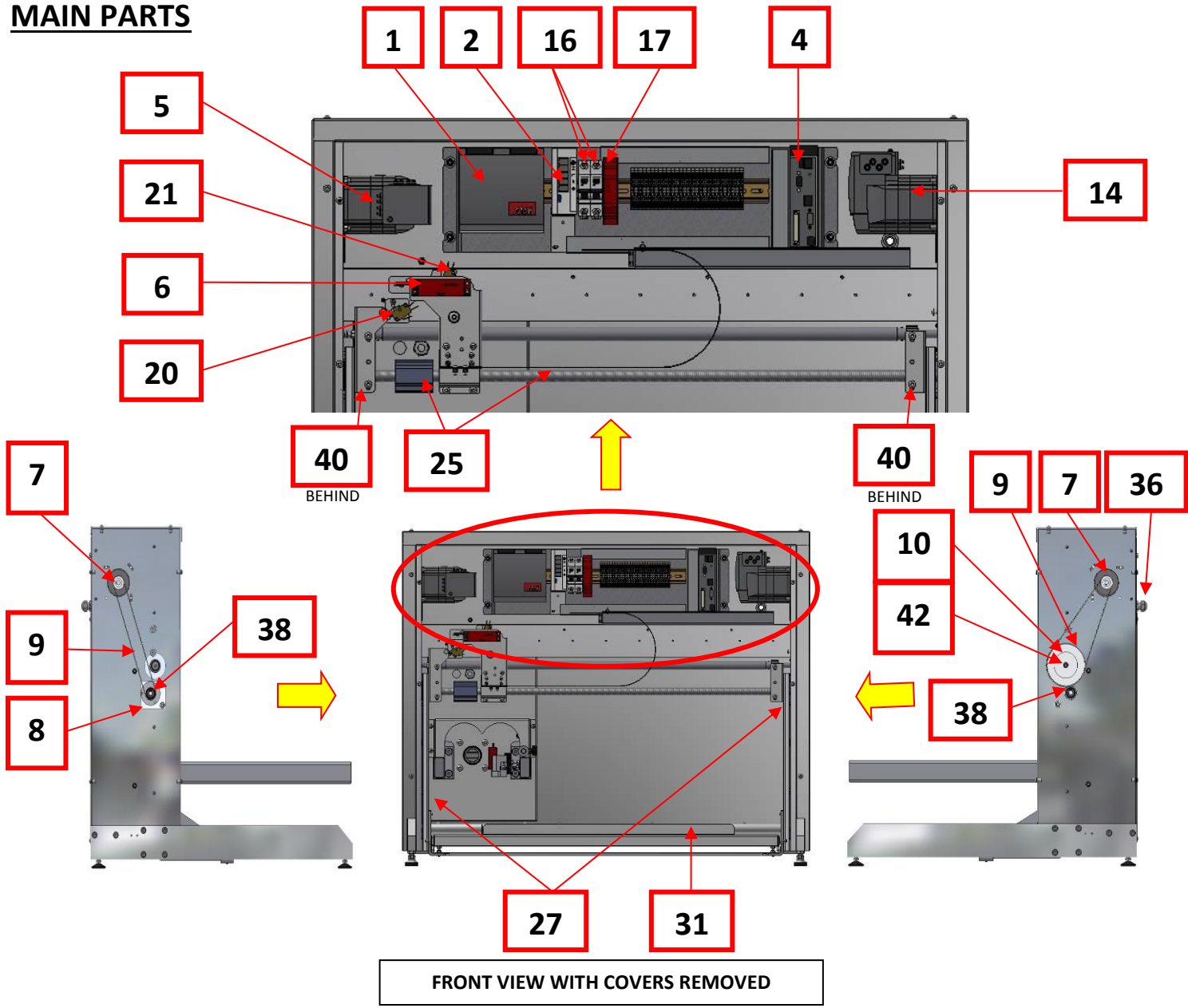
Page 7

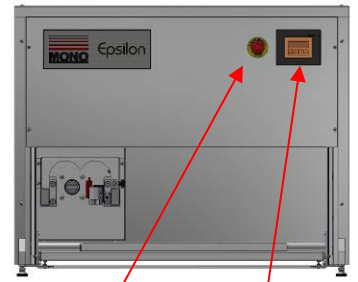
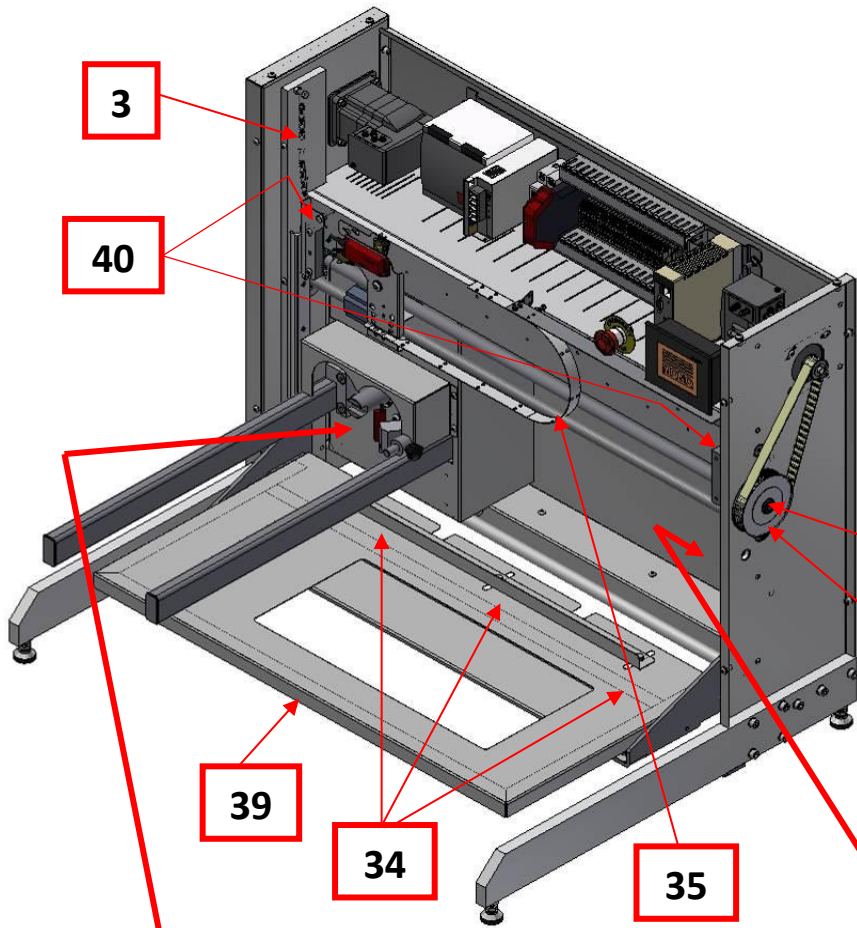


WARNING

- Isolate the FG080 and disconnect from the mains supply before attempting any maintenance or fault investigation

SECTION 1
MAIN PARTS

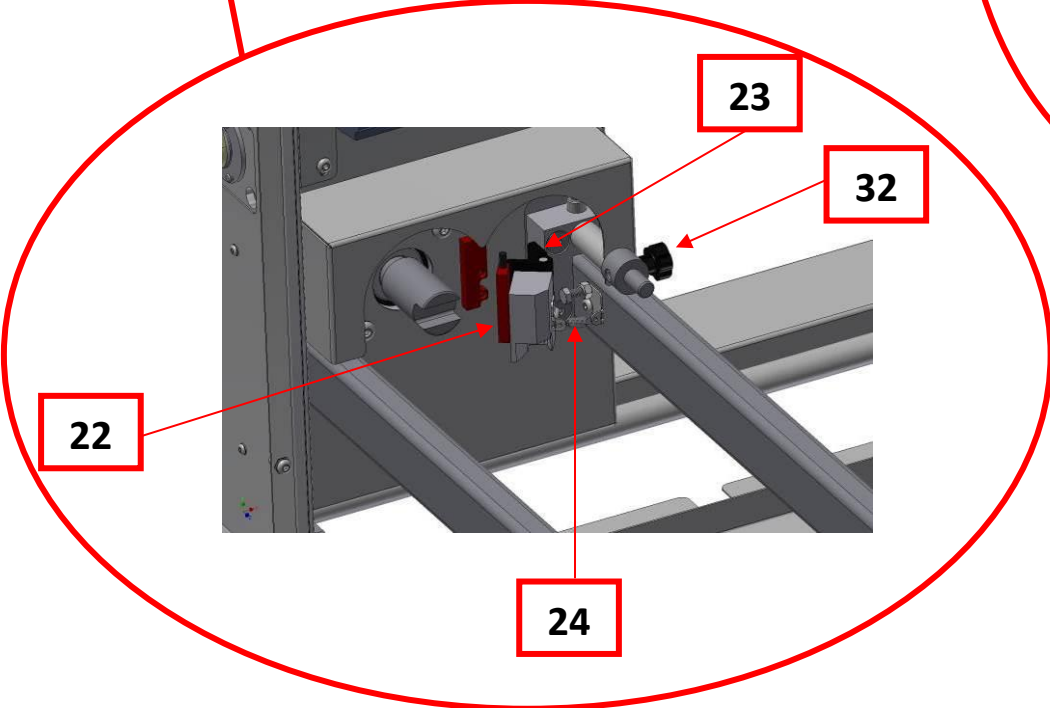
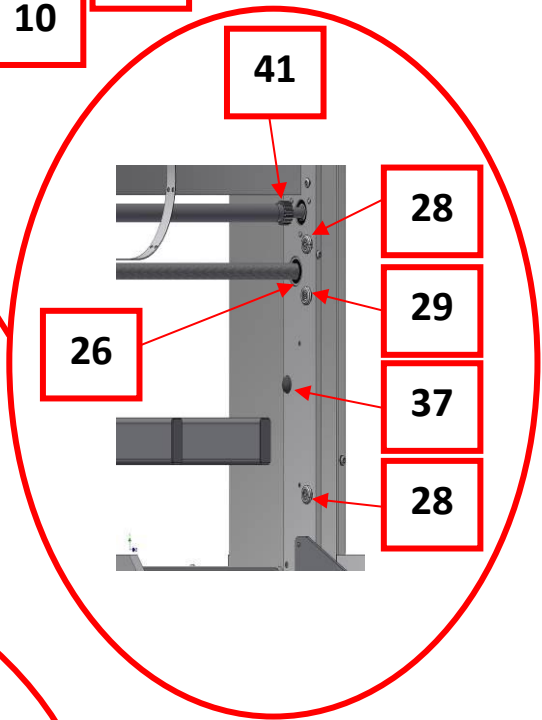




18/19

15

FRONT VIEW WITH COVERS ON



EPSILON

PARTS LIST FOR ITEMS ON PREVIOUS PAGES

<u>ITEM</u>	<u>DESCRIPTION</u>	<u>PART NUMBER</u>
1.	POWER SUPPLY	B801-93-019
2.	POWER SUPPLY	B801-93-005
3.	TRAY SPRING	A900-19-097
4.	LMC20	B801-80-033
5.	TRAY MOTOR	B781-74-007
6.	SAFETY SWITCH	B801-07-005
7.	TIMING PULLEY	080-02-00026
8.	TIMING PULLEY	080-02-00020
9.	TIMING BELT	A900-21-107
10.	TIMING PULLEY	080-02-00021
11.	DEPOSIT MOTOR	B781-74-008
12.	GEARBOX	A900-11-095
13.	ADJUSTABLE FOOT	A900-27-227
14.	JOG MOTOR	B781-74-006
15.	HMI	B801-93-034
16.	CIRCUIT BREAKER	B872-22-003
17.	E-STOP RELAY	B801-11-019
18.	STOP BUTTON	B801-12-043
19.	CONTACT BLOCK	B801-14-008 (N/C), B801-14-004 (N/O)
20.	JOG SWITCH	B842-07-029
21.	TRAY SWITCH	B842-07-030

22.	TEMPLATE SAFETY SWITCH/MAGNET	B801-07-006
23.	HINGE FOR TEMPLATE SAFETY MAGNET	A900-27-217
24.	RETURN SPRING	A900-19-094
25.	BALLSCREW + NUT	080-02-00025 (400 model) 080-02-00048 (450 model)
26.	BEARING FOR BALLSCREW	A900-06-009
27.	VERTICAL SLIDES	A900-31-054
28.	V-ROLLER – CONCENTRIC	A900-06-297
29.	V-ROLLER – ECCENTRIC	A900-06-298
30.	TRACK ROLLER	A900-06-136
31.	TRAY BACK STOP	080-08-00015(450 model) 080-08-00016 (450 model)
32.	HOPPER LOCKING THUMSCREW	A900-27-213
33.	CIRCLIP – HOPPER DRIVESHAFT	A900-01-193
34.	WINGNUT FOR TRAY GUIDE	A900-04-043
35.	CABLE GUIDE STRAP	080-25-00006
36.	MAINS CABLE GLANDS	B900-17-002
37.	BUMP STOPS	A900-18-006
38.	CIRCLIPS – BALLSCREW	A900-01-112
39.	PLATFORM FABRICATION	080-08-00001(400 model) 080-08-00011(450 model)
40.	RACK	080-02-00032
41.	PINION	080-02-00032
42.	TRANS-TORQUE BUSH	A900-10-01

SECTION 2

DOUGH HOPPER PARTS

