



[www.monoequip.com](http://www.monoequip.com)



# **Bx OVEN**

## **ELECTRICAL INFORMATION**

### **CLASSIC**

**FOR ENGINEERS USE ONLY.  
DO NOT ATTEMPT ANY ALTERATIONS.  
IF IN DOUBT, CONTACT MONO FOR ADVICE**

# CONTENTS

## BX CLASSIC WIRING DIAGRAMS

### SECTION 1

#### FG149/150

#### 10 TRAY CLASSIC

PAGE 3

M150E25-04200	COMPONENTS
M150E25-04100	PANEL LAYOUT
M150E25-04300	PCB OUTPUTS
M150E25-04500	PCB CONNECTIONS
M150E25-04600	INTERIOR LIGHT AND POWER CIRCUIT
M150E25-04400	PCB INPUTS
M150E25-03200	MOTOR POWER CIRCUIT
M150E25-03300	HEATING POWER CIRCUIT
M150E25-03400	FAN CONNECTIONS AND ELEMENT WIRING

### SECTION 2

#### FG156

#### 2 TRAY CLASSIC

PAGE 13

M156E25-13500	COMPONENTS
M156E25-13000	CONTROL AND POWER CIRCUIT
M156E25-13600	PCB OUTPUTS
M156-25-50500	PCB INPUTS
M156-25-50800	PCB CONNECTIONS

### SECTION 3

#### FG153/158/159 4 TRAY, 3 PHASE CLASSIC

M159E25-11300	COMPONENTS (159 ONLY)
M158E25-52000	COMPONENTS (153/158 ONLY)
M158E25-50800	PCB CONNECTIONS
M158E25-50500	PCB INPUTS
M158E25-50100	PCB OUTPUTS
M158E25-20700	CONTROL CIRCUIT
M158E25-01800	POWER CIRCUIT
M158E25-01900	FAN CONNECTIONS AND ELEMENT WIRING

PAGE 19

### SECTION 4

#### FG153/158/159 4 TRAY, 1 PHASE CLASSIC

M158E25-51200	COMPONENTS (153/158 ONLY)
M159E25-11200	COMPONENTS (159 ONLY)
M158E25-51400	PCB OUTPUTS
M158-25-51500	PCB CONNECTIONS
M158E25-50500	PCB INPUTS
M158E25-20700	CONTROL CIRCUIT
M158E25-51300	POWER CIRCUIT
M158E25-52200	FAN CONNECTIONS AND ELEMENT WIRING

PAGE 28

### CONDENSER (IF FITTED)

PAGE 37

## FG149/150 CLASSIC 10 TRAY

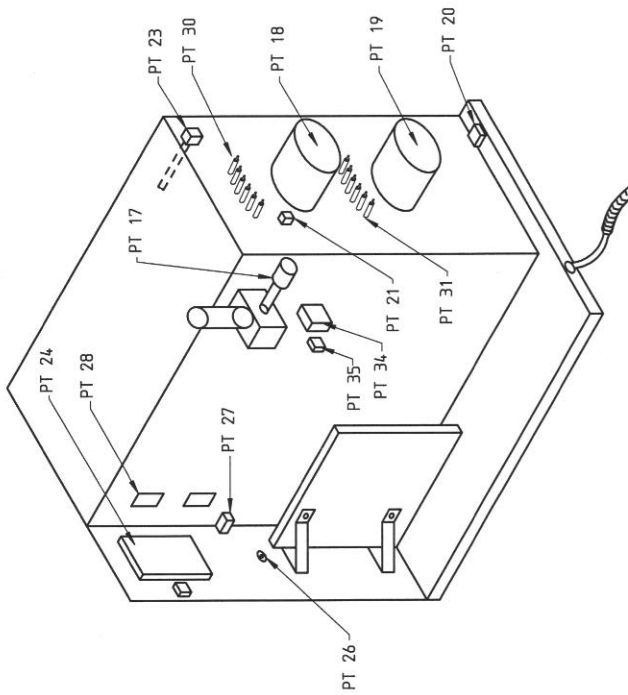
M150E25-04200	COMPONENTS
M150E25-04100	PANEL LAYOUT
M150E25-04300	PCB OUTPUTS
M150E25-04500	PCB CONNECTIONS
M150E25-04600	INTERIOR LIGHT AND POWER CIRCUIT
M150E25-04400	PCB INPUTS
M150E25-03200	MOTOR POWER CIRCUIT
M150E25-03300	HEATING POWER CIRCUIT
M150E25-03400	FAN CONNECTIONS AND ELEMENT WIRING

# SECTION 1

**FOR ENGINEERS USE ONLY.**  
DO NOT ATTEMPT ANY ALTERATIONS.  
IF IN DOUBT, CONTACT MONO FOR ADVICE

IF IN ANY DOUBT - ASK

DRAWING PT-Ref	DESCRIPTION	MOND PART NUMBER
PT-1	INTERIOR LIGHT M.C.B.	8872-22-063
PT-2	CONTROL CIRCUIT M.C.B.	8872-22-062
PT-4a	FAN MOTOR OVERLOAD UNIT N'1 (TOP)	8801-03-020
PT-4b	FAN MOTOR OVERLOAD N'1 AUXILIARY CONTACT	8801-14-012
PT-5a	FAN MOTOR OVERLOAD UNIT N'2 (BOTTOM)	8801-03-020
PT-5b	FAN MOTOR OVERLOAD N'2 AUXILIARY CONTACT	8801-14-012
PT-8a	INTERIOR LIGHT RELAY	8723-37-004
PT-8b	INTERIOR LIGHT RELAY BASE	8723-36-001
PT-10a	FAN MOTOR CONTACTOR N'1-FORWARD (TOP MOTOR)	8801-08-031
PT-10b	FAN MOTOR CONTACTOR N'1-REVERSE (TOP MOTOR)	8801-08-031
PT-11a	FAN MOTOR CONTACTOR N'2-FORWARD (BTM MOTOR)	8801-08-031
PT-11b	FAN MOTOR CONTACTOR N'2-REVERSE (BTM MOTOR)	8801-08-031
PT-14	24V DC POWER SUPPLY UNIT	8801-93-005
PT-15	HEATING ELEMENT CONTACTOR	8801-08-020
PT-17	{ DAMPER SOLENOID (L/H) DAMPER SOLENOID (R/H)	{ 8749-83-003 8749-83-004
PT-18	FAN MOTOR UNIT N'1 (TOP MOTOR)	8720-74-001
PT-19	FAN MOTOR UNIT N'1 (BOTTOM MOTOR)	8720-74-001
PT-20	WATER SOLENOID	150-07-00400
PT-21	OVERHEAT THERMOSTAT N'1 (TOP)	8888-30-014
PT-23	OVEN THERMOCOUPLE	8873-95-002
PT-24	MAIN P.C.B.	8705-97-013
PT-26	MAIN OFF/ON SWITCH	8836-07-004
PT-27	DOOR SWITCH	8842-07-023
PT-28A	INTERIOR LIGHT UNIT	8721-67-011
PT-28B	INTERIOR LIGHT BULB	8857-94-007
PT-30	8KW ELEMENT OVENS ONLY	
PT-31	HEATING ELEMENT UNIT N'1 (TOP)	8847-04-068
PT-31	HEATING ELEMENT UNIT N'2 (BOTTOM)	8847-04-068
PT-30	HEATING ELEMENT UNIT N'1 (TOP)	8847-04-073
PT-31	HEATING ELEMENT UNIT N'2 (BOTTOM)	8847-04-073
PT-30	7KW ELEMENT OVENS ONLY	
PT-31	HEATING ELEMENT UNIT N'1 (TOP)	8847-04-067
PT-31	HEATING ELEMENT UNIT N'2 (BOTTOM)	8847-04-067
PT-30	HEATING ELEMENT UNIT N'1 (TOP)	8847-04-074
PT-31	HEATING ELEMENT UNIT N'2 (BOTTOM)	8847-04-074
PT-34	REAR FAN UNIT	8869-75-018
PT-35	REAR FAN UNIT FUSE	8842-85-025
PT-36	AUX POWER OUTLET	8970-04-001
PT-37	AUX POWER OUTLET FUSE	8842-85-039



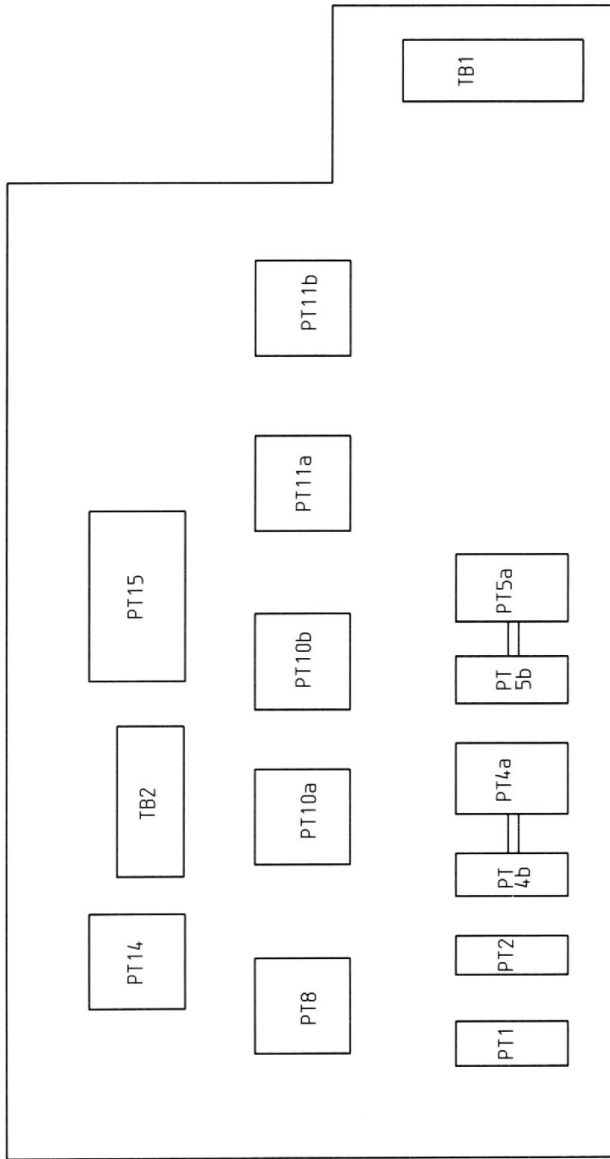
REV	SIG	DATE	REVISION	ECN NO.
K		29-03-10	PT-28A WAS B721-67-006, PT-28B WAS B857-94-004	B15/09
J	JC	29-01-09	PT27 WAS ASSY 154-25-01200 (B801-11-001)	195/08
I	RAC	29-03-07	PT22 O/HEAT THERMOSTAT DELETED; PT36/37 ADDED	2946
H	JC	30-10-06	PT-17 WAS B749-83-001 & B749-83-002	2868
G	RAC	31-10-05	B859- NOW B801-	2573
F	JC	27-7-05	PT-23 WAS B873-95-001	2525
E	JC	13-6-05	PT-14 WAS B705-93-006	2483
D	JC	7-4-05	PT-28A WAS B721-67-001	2435
C	JC	22-11-04	PT-26 WAS B842-07-014	2329
B	JC	22-11-04	PT-34 WAS B869-75-023	2318
A	JC	14-2-03	EXISTING SMALL FAN DELETED (IN CONJUNCTION WITH ECM 1925)	1927

MONO EQUIPMENT		REVISION	
QUEENSWAY SWANSEA WEST IND PARK SWANSEA, SAS 46B.		TITLE: ELECTRICAL COMPONENTS LAYOUT 10 TRAY CLASSIC OVEN	
TEL: (01792) 861234 FAX: (01792) 861016		DRAWN: JC	
ELECTRICAL SPECIFICATIONS:- 380V/415V 3PH+N 50HZ		ELECTRICALLY APPROVED BY:-	
DATE: 25-1-01		DRAWING NO. M150E25-04200	
REV: K		K	

COPYRIGHT © 1998 - THIS DESIGN/DRAWING IS THE PROPERTY OF MONO EQUIPMENT LTD. AND MUST NOT BE REPRODUCED, COPIED, OR ITS CONTENTS DIVULGED WITHOUT PRIOR WRITTEN PERMISSION.

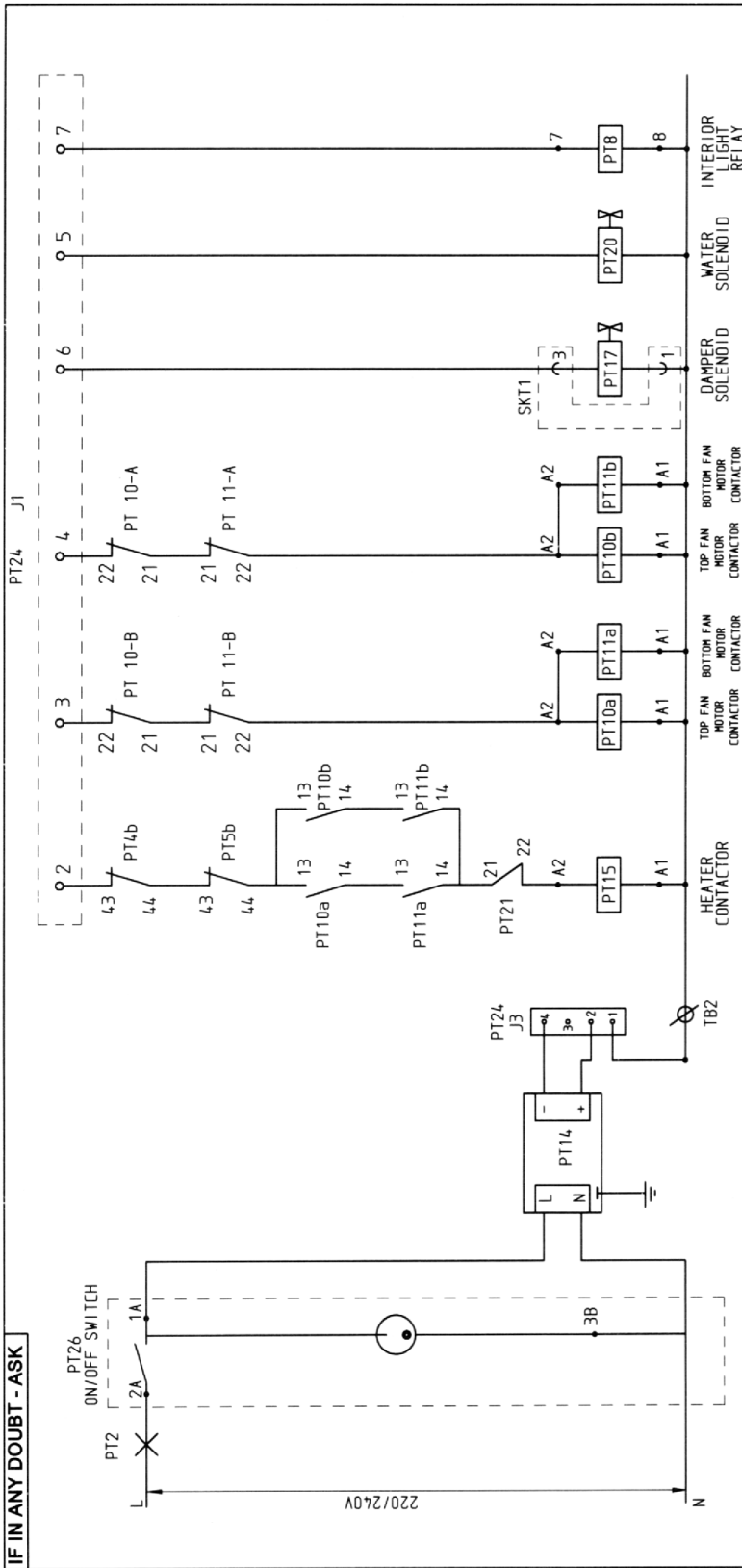


IF IN ANY DOUBT - ASK



REV	SIG	DATE	REVISION	ECN NO.
<p><b>MONO EQUIPMENT</b>                  100 SWANSEA WEST IND PARK                  SWANSEA, SA5 4EB.                  TEL: (01782) 561234                  FAX: (01782) 561016</p>			TITLE: 10 TRAY OVEN WITH FAN REVERSING MAIN CONTROL PANEL LAYOUT	
ELECTRICAL SPECIFICATIONS:-			DRAWN: JC	ELECTRICALLY APPROVED BY:- P. BOYLES
COPYRIGHT © 1998 - THIS DESIGN/DRAWING IS THE PROPERTY OF MONO EQUIPMENT LTD. AND MUST NOT BE REPRODUCED, COPIED, NOR ITS CONTENTS DIVULGED WITHOUT PRIOR WRITTEN PERMISSION.			DATE: 24-1-01	DRAWING NO. M150E25-04.100
			REV: -	

IF IN ANY DOUBT - ASK



REV	SIG	DATE	REVISION	ECN NO.
D	RAC	22-2-07	PT21 O/HEAT THERMOSTAT WIRING CHANGED	2946
C	RAC	31-10-05	A1 AND A2 CHANGED AROUND	2573
B	JC	26-9-03	PT26 WIRED IN CONJUNCTION WITH ECN 2055-2057	2058
A	JC	14-2-03	EXISTING SMALL FAN DELETED (IN CONJUNCTION WITH ECN 1925)	1927

**MONO EQUIPMENT**  
 1500 WEST 10TH AVENUE  
 SWANSEA, SA5 4EB.  
 TEL: (01792) 561234  
 FAX: (01792) 561016

**TITLE:**  
 P.C.B. OUTPUTS  
 10 TRAY CLASSIC OVEN

**ELECTRICAL SPECIFICATIONS:-**  
 380V/415V 3PH+N 50HZ

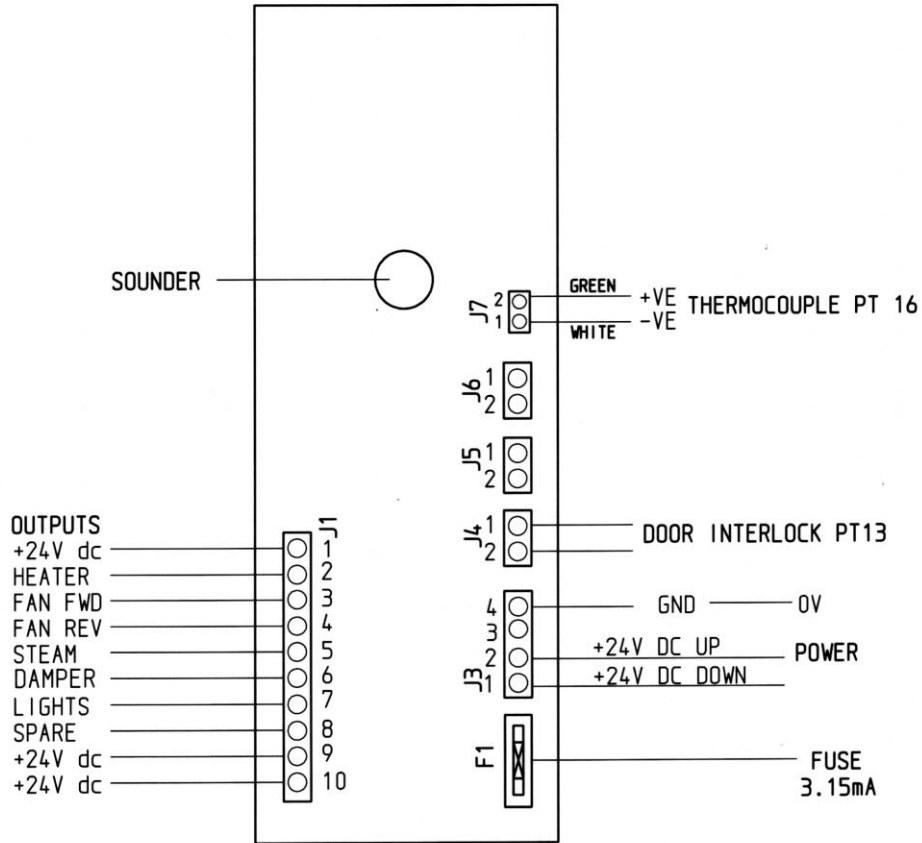
**DRAWN:** JC  
**ELECTRICALLY APPROVED BY:-** P. BOYLES

**DATE:** 25-1-01  
**DRAWING NO:** M150E25-04300

**REV:** D

COPYRIGHT © 1998 - THIS DESIGN/DRAWING IS THE PROPERTY OF MONO EQUIPMENT LTD. AND MUST NOT BE REPRODUCED, COPIED, NOR ITS CONTENTS DIVULGED WITHOUT PRIOR WRITTEN PERMISSION.

CONTROLLER BOARD AS VIEWED FROM COMPONENT SIDE  
 'CLASSIC' OVEN CONTROLLER



D	RAC	4-11-16	PICTORIAL CHANGES. BOARD WAS B705-97-013 NOW B705-97-027	BX-006-16-17
C	JC	24-1-03	DELETE SMALL COOLING FAN (IN CONJUNCTION WITH ECN 1927)	1925
B	JC	22-1-03	ADD WIRING FOR REAR FAN UNIT	1927
A	JC	22-2-01	RE-ARRANGE POWER CIRCUIT WIRES TO PCB	14/19
REV	SIG	DATE	REVISION	ECN NO.



**MONO EQUIPMENT**  
 QUEENSWAY  
 SWANSEA WEST IND PARK  
 SWANSEA.  
 SA5 4EB.  
 TEL: (01792) 561234  
 FAX: (01792) 561016

TITLE: MAIN P.C.B. CONNECTIONS  
 4 TRAY CLASSIC OVEN

DRAWN: MT

ELECTRICALLY APPROVED BY:-

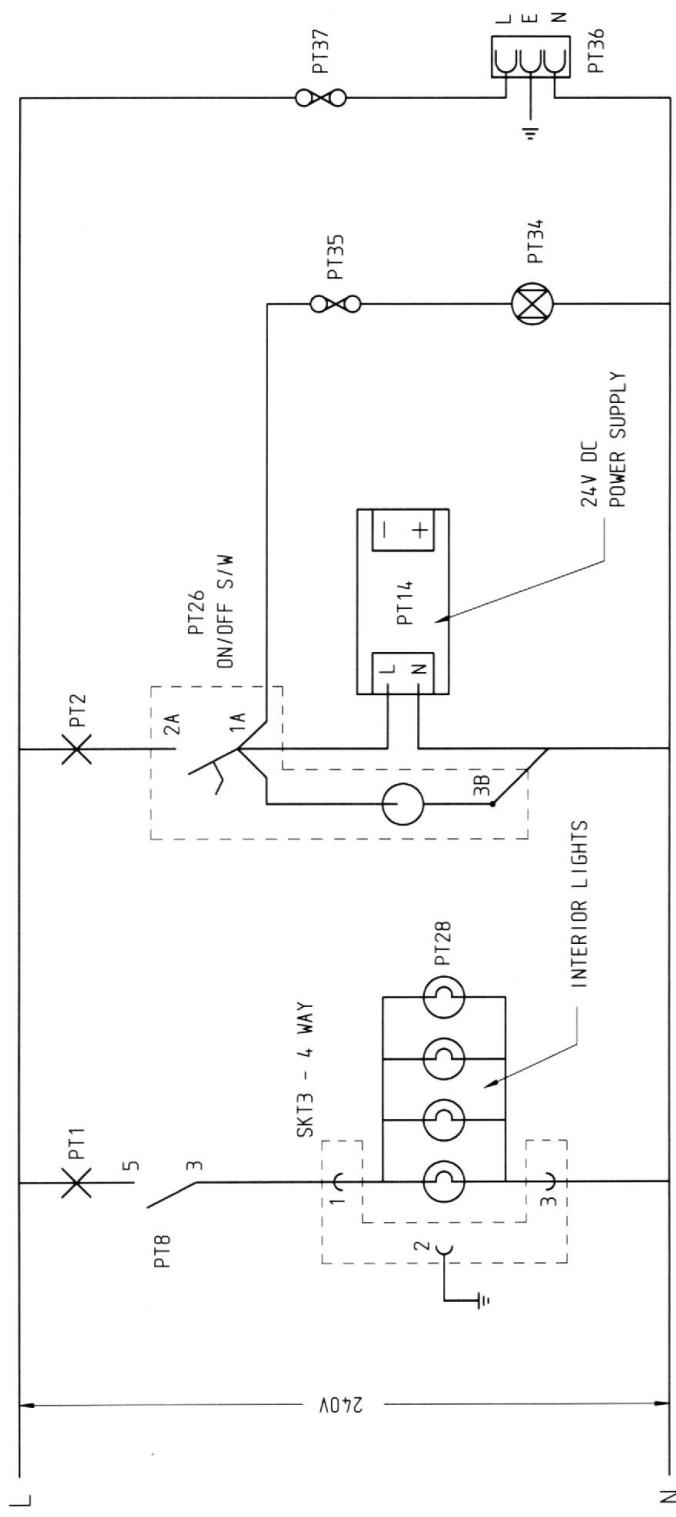
ELECTRICAL SPECIFICATIONS:-

DATE: 1-12-98

DRAWING NO. M158E25-50800

REV: D

IF IN ANY DOUBT - ASK



REAR FAN UNIT

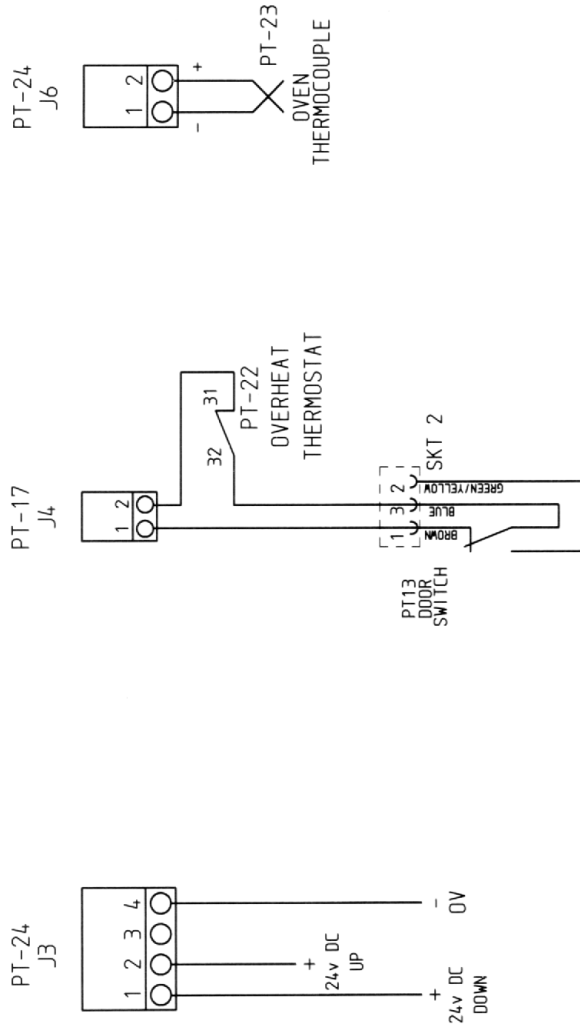
REV	SIG	DATE	REVISION	ECN NO.
C	RAC	22-2-07	PT36 & PT37 ADDED	2946
B	JC	26-9-03	PT26 WIRED IN CONJUNCTION WITH ECN 2055-2057	2058
A	JC	14-2-03	EXISTING SMALL FAN DELETED (IN CONJUNCTION WITH ECN 1925)	1927

<p><b>MOND EQUIPMENT</b>          QUEENSWAY          SWANSEA WEST IND PARK          SWANSEA,          SA5 4EB.          TEL: 01792 561234          FAX: 01792 561016</p>	<p><b>TITLE:</b>          INTERIOR LIGHT &amp; POWER          SUPPLY CIRCUIT          CLASSIC 10 TRAY OVEN</p>
<p><b>ELECTRICAL SPECIFICATIONS:-</b>          380/415V 3PH+N 50HZ</p>	<p><b>DRAWN:</b>          JC  <b>ELECTRICALLY APPROVED BY:-</b>          P. BOYLES</p>
<p><b>DATE:</b>          12-2-03</p>	<p><b>DRAWING NO.:</b>          M150E25-04,600</p>

COPYRIGHT © 1998 - THIS DESIGN/DRAWING IS THE PROPERTY OF MOND EQUIPMENT LTD. AND MUST NOT BE REPRODUCED, COPIED, NOR ITS CONTENTS DIVULGED WITHOUT PRIOR WRITTEN PERMISSION.

IF IN ANY DOUBT - ASK

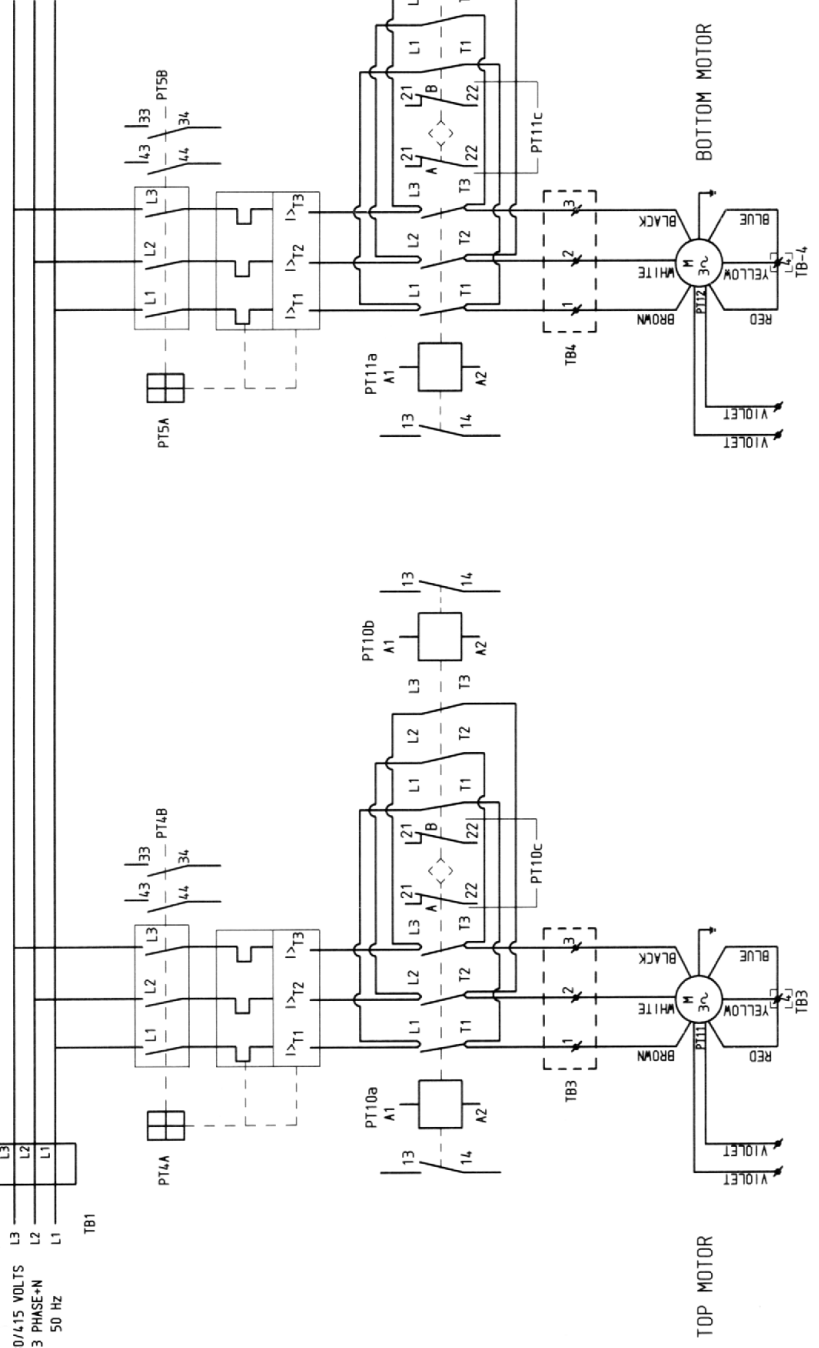


B	RAC	22-2-07	PT22 O/HEAT THERMOSTAT WIRING ALTERED	2946
A	JC	14-2-03	EXISTING SMALL FAN DELETED (IN CONJUNCTION WITH ECN 1925)	1927
REV	SIG	DATE	REVISION	ECN NO.
<p><b>MONO EQUIPMENT</b>          QUEENSWAY WEST IND PARK          SWANSEA          SA5 4EB.          TEL: (01782) 561234          FAX: (01782) 561016</p>				
ELECTRICAL SPECIFICATIONS:-				
TITLE: P.C.B. INPUTS 10 TRAY CLASSIC L.E.D. OVEN				
DRAWN: JC ELECTRICALLY APPROVED BY: P. BOYLES				
DATE: 25-1-01 DRAWING NO. M150E25-044.00				
REV: B				

COPYRIGHT © 1998 - THIS DESIGN/DRAWING IS THE PROPERTY OF MONO EQUIPMENT LTD. AND MUST NOT BE REPRODUCED, COPIED, NOR ITS CONTENTS DIVULGED WITHOUT PRIOR WRITTEN PERMISSION.

IF IN ANY DOUBT - ASK

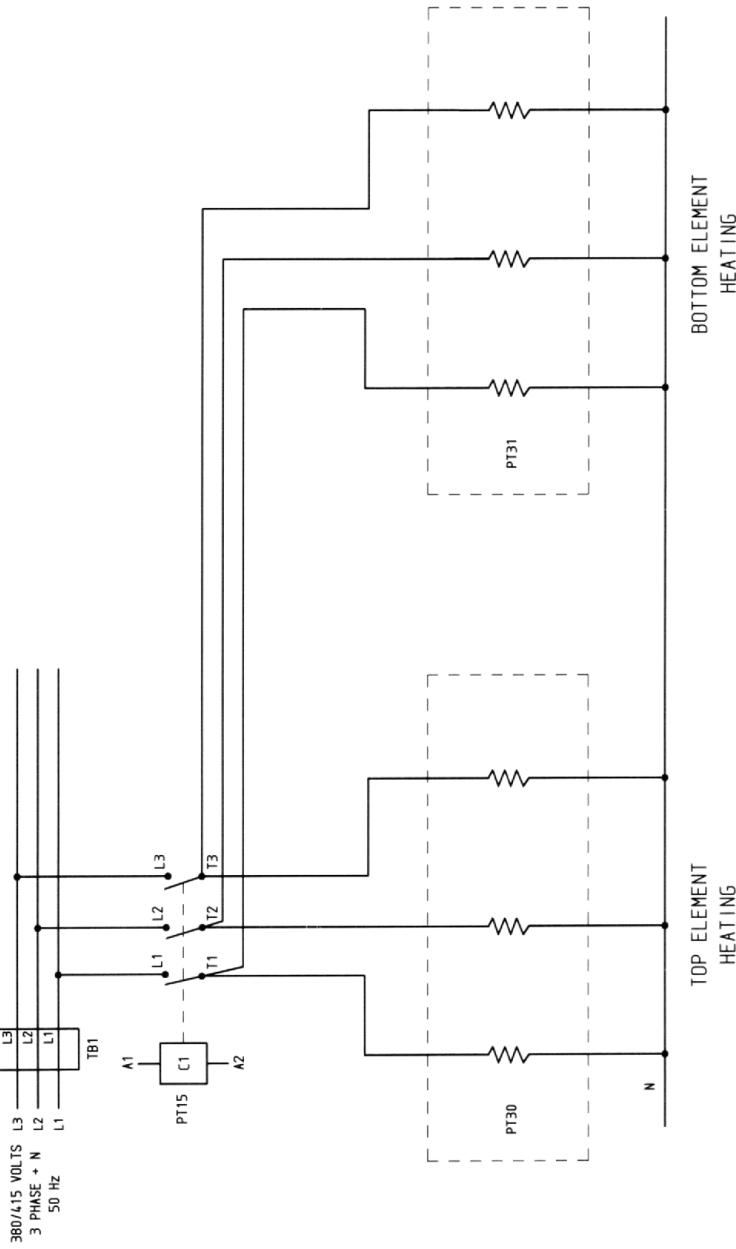
380/415 VOLTS  
 3 PHASE-N  
 50 HZ



REV	SIG	DATE	REVISION	ECN NO.
<p><b>MONO EQUIPMENT</b>          QUEENSWAY          SWANSEA WEST IND PARK          SWANSEA,          SA5 4EB.          TEL: (01792) 561234          FAX: (01792) 561016</p>				
<p><b>ELECTRICAL SPECIFICATIONS:-</b>          380/415V 3 PH &amp; N 50HZ</p>			<p><b>TITLE:</b>          MOTOR POWER CIRCUIT DIAGRAM          10 TRAY OVEN MK11</p>	
<p><b>ELECTRICALLY APPROVED BY:-</b>          A.L.W.</p>			<p><b>DRAWING NO.</b>          M150E25-03200</p>	
<p><b>DATE:</b>          3/2/00</p>			<p><b>REV:</b>          -</p>	

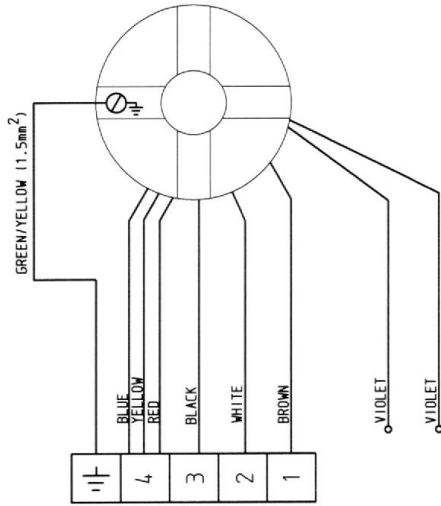
COPYRIGHT © 1998 - THIS DESIGN/DRAWING IS THE PROPERTY OF MONO EQUIPMENT LTD. AND MUST NOT BE REPRODUCED, COPIED, NOR ITS CONTENTS DIVULGED WITHOUT PRIOR WRITTEN PERMISSION.

IF IN ANY DOUBT - ASK



REV	SIG	DATE	REVISION	ECN NO.
A		22-2-07	PT21 & PT22 0/HEAT THERMOSTATS REMOVED	2946
<p><b>MONO EQUIPMENT</b>          QUEENSWAY          10 WEST IND PARK          SWANSEA          SA5 4EB          TEL: (01792) 561234          FAX: (01792) 561016</p>				
<p><b>MONO EQUIPMENT</b>          QUEENSWAY          10 WEST IND PARK          SWANSEA          SA5 4EB          TEL: (01792) 561234          FAX: (01792) 561016</p>			<p>TITLE:          HEATING POWER CIRCUIT DIAGRAM          10 TRAY OVEN MK11</p>	
<p>ELECTRICAL SPECIFICATIONS:-          380/415V 3 PHASE+N 50HZ</p>			<p>DRAWN:          A.L.W.          ELECTRICALLY APPROVED BY:-          P.BOYLES</p>	
<p>COPYRIGHT © 1998 - THIS DESIGN/DRAWING IS THE PROPERTY OF MONO EQUIPMENT LTD. AND MUST NOT BE REPRODUCED, COPIED, NOR ITS CONTENTS DIVULGED WITHOUT PRIOR WRITTEN PERMISSION.</p>			<p>DATE:          3/2/00          DRAWING NO.          M150E25-03300          REV:          A</p>	

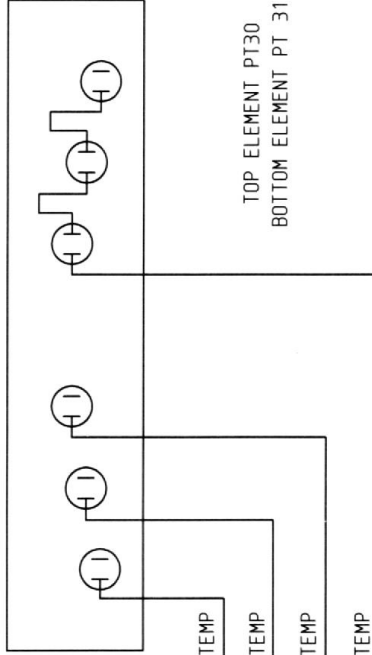
IF IN ANY DOUBT - ASK



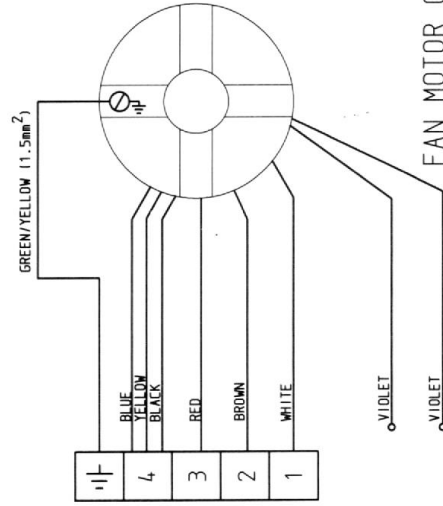
TOP MOTOR PT 18  
CLOCKWISE DIRECTION WHEN  
VIEWED FROM FRONT OF OVEN

- L1 1.5 mm<sup>2</sup> PTEMP
- L2 1.5 mm<sup>2</sup> PTEMP
- L3 1.5 mm<sup>2</sup> PTEMP
- N 1.5 mm<sup>2</sup> PTEMP

TOP ELEMENT PT30  
BOTTOM ELEMENT PT 31



HEATING ELEMENT WIRING



BOTTOM MOTOR PT 19  
ANTI-CLOCKWISE DIRECTION WHEN  
VIEWED FROM FRONT OF OVEN

FAN MOTOR CONNECTIONS

REV	SIG	DATE	REVISION	ECN NO.
			FAN MOTOR CONNECTIONS & HEATING ELEMENT WIRING 10 TRAY OVEN	
			<b>MOND EQUIPMENT</b> 100 WILSON ROAD SWANSEA WEST IND PARK SWANSEA SA5 4EB. TEL: (01792) 561234 FAX: (01792) 561016	
ELECTRICAL SPECIFICATIONS:-			ELECTRICALLY APPROVED BY:- P. BOYLES	
380/415V 3PH+N 50HZ			DRAWING NO: M150E25-03400	
			DATE: 3/2/00	
			REV: -	

COPYRIGHT © 1998 - THIS DESIGN/DRAWING IS THE PROPERTY OF MOND EQUIPMENT LTD. AND MUST NOT BE REPRODUCED, COPIED, NOR ITS CONTENTS DIVULGED WITHOUT PRIOR WRITTEN PERMISSION.



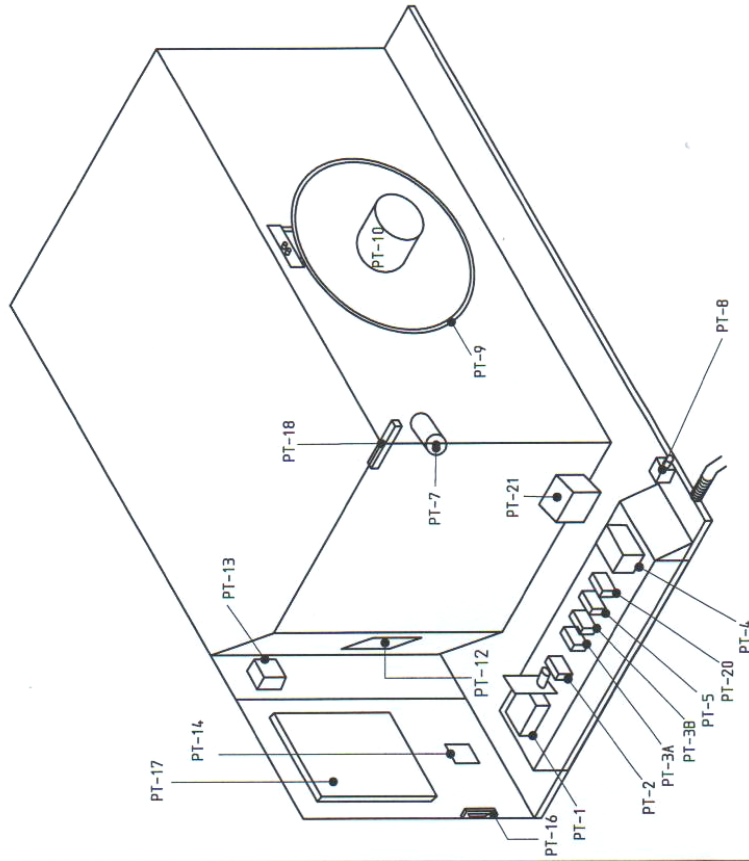
## FG156 CLASSIC 2 TRAY

M156E25-13500	COMPONENTS
M156E25-13000	CONTROL AND POWER CIRCUIT
M156E25-13600	PCB OUTPUTS
M156-25-50500	PCB INPUTS
M156-25-50800	PCB CONNECTIONS

**FOR ENGINEERS USE ONLY.**  
DO NOT ATTEMPT ANY ALTERATIONS.  
IF IN DOUBT, CONTACT MONO FOR ADVICE

# SECTION 2

IF IN ANY DOUBT - ASK

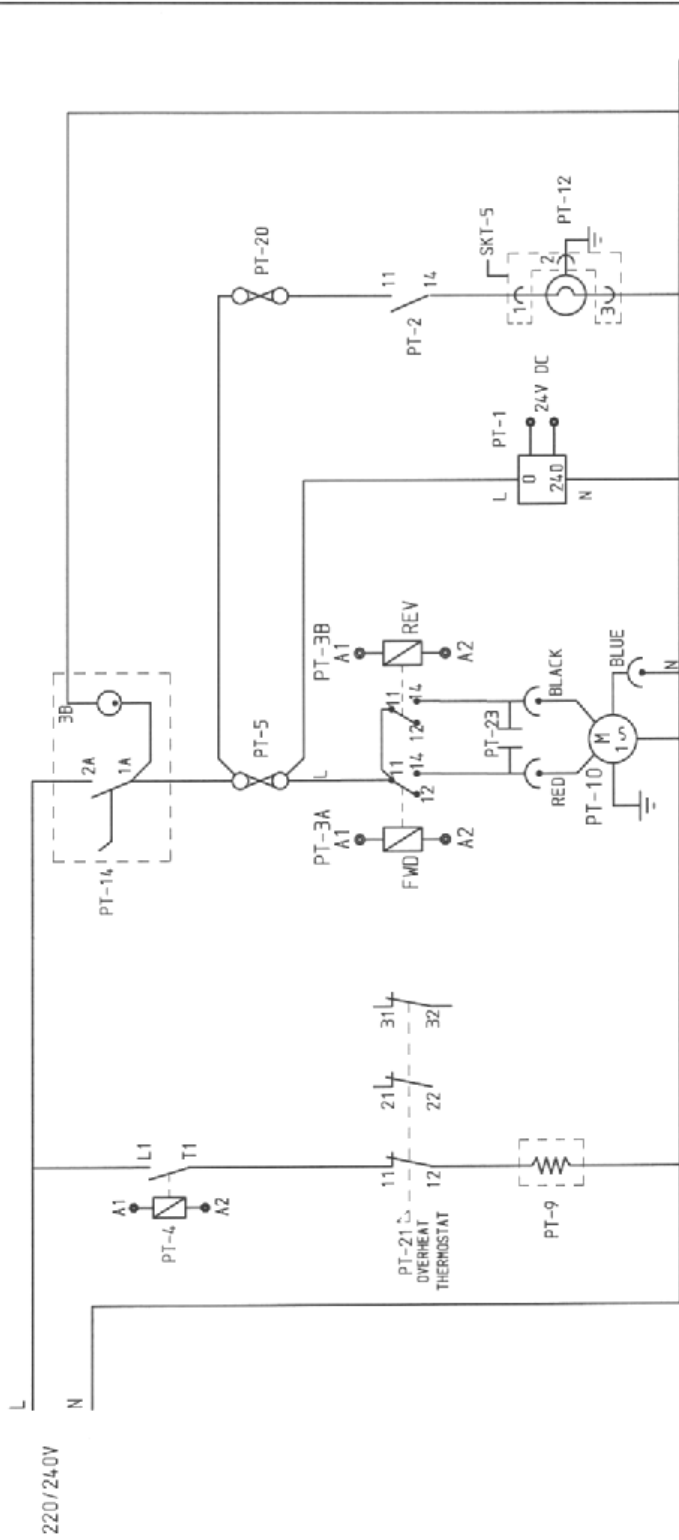


DRAWING PT-Ref	DESCRIPTION	MONO PART NUMBER
PT-1	24V DC POWER SUPPLY	8801-93-005
PT-2	INTERNAL LIGHT RELAY	8723-37-021
PT-3A	FAN MOTOR RELAY	8723-37-021
PT-3B	FAN MOTOR RELAY	8723-37-021
PT-4	HEATING ELEMENT CONTACTOR	3801-08-021
PT-5	CONTROL FUSE	8842-85-039
PT-7	DAMPER SOLENOID	8749-83-003
PT-8	2T WATER INLET ASSY	156-37-004.00
* PT-9	(240V) HEATING ELEMENT	8854-04-117
PT-10	FAN MOTOR	8720-74-004
PT-12a	INTERIOR LIGHT UNIT	8721-67-011
PT-12b	INTERIOR LIGHT BULB (HAL)	8857-94-007
PT-13	DOOR SWITCH	8842-07-023
PT-14	ON/OFF SWITCH	8836-07-004
PT-16	DATA LINK SOCKET LEAD	8705-25-005
PT-17a	PCB ASSEMBLY	8705-97-013
PT-18	OVEN THERMOCOUPLE	8873-95-002
PT-20	INTERIOR LIGHT FUSE	8842-85-042
PT-21	OVERHEAT THERMOSTAT	8888-30-014
PT-23	CAPACITOR	8720-23-003

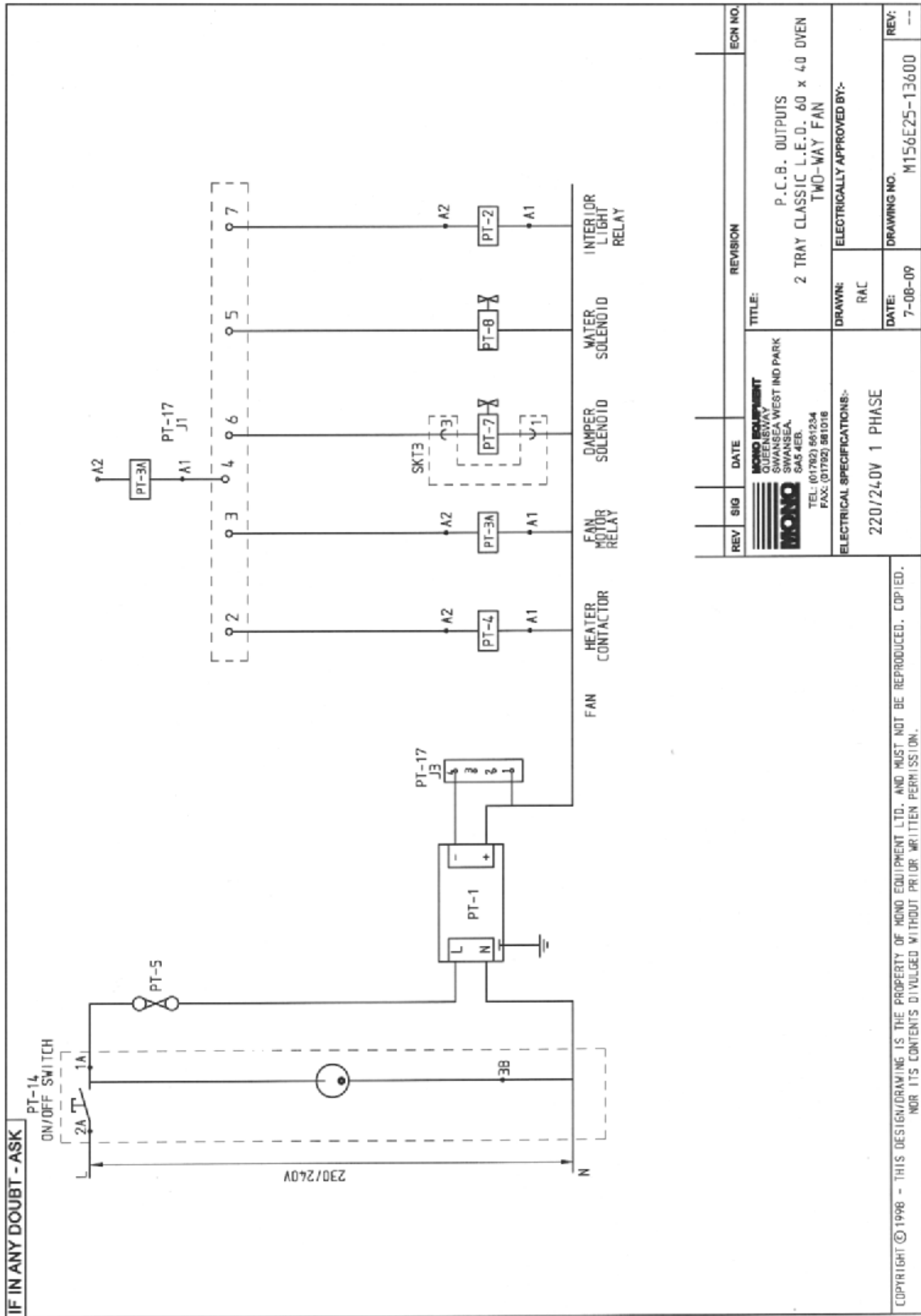
REV	SIG	DATE	REVISION	ECH NO.
			ELECTRICAL COMPONENTS LAYOUT	
			2 TRAY 1 PHASE CLASSIC	
			TWO-WAY FAN	
<b>MONO EQUIPMENT</b> QUEENSWAY SWANSEA WEST IND PARK SWANSEA SAG 4EB. TEL: (01792) 561234 FAX: (01792) 561016			TITLE: ELECTRICAL COMPONENTS LAYOUT 2 TRAY 1 PHASE CLASSIC TWO-WAY FAN	
ELECTRICAL SPECIFICATIONS:- 220/240V 1 PHASE			DRAWN: JC/RAC	
ELECTRICALLY APPROVED BY:-			DATE: 70809	
1 PHASE			DRAWING NO. M156E25-13500	
			REV: --	

COPYRIGHT © 1998 - THIS DESIGN/DRAWING IS THE PROPERTY OF MONO EQUIPMENT LTD. AND MUST NOT BE REPRODUCED, COPIED, NOR ITS CONTENTS DIVULGED WITHOUT PRIOR WRITTEN PERMISSION.

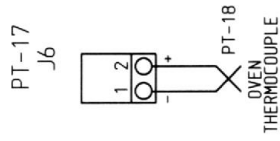
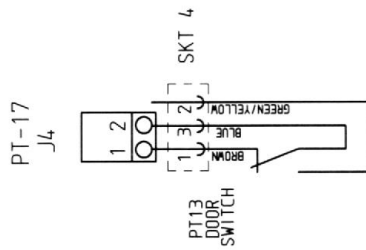
IF IN ANY DOUBT - ASK



REV	SIG	DATE	REVISION	ECN NO.
<b>MONO EQUIPMENT</b> QUEENSWAY SWANSEA WEST IND PARK SWANSEA, S.W. WALES SA6 4REB TEL: (01792) 867354 FAX: (01792) 361016			TITLE: CONTROL & POWER CIRCUIT DIAGRAM FOR 220/240V 1 PHASE 2 TRAY 2 WAY FAN	
ELECTRICAL SPECIFICATIONS:- 220/240V 1 PHASE			DRAWN: ELECTRICALLY APPROVED BY:- RAC A. THOMAS	
COPYRIGHT © 1998 - THIS DESIGN/DRAWING IS THE PROPERTY OF MONO EQUIPMENT LTD. AND MUST NOT BE REPRODUCED, COPIED, NOR ITS CONTENTS DIVULGED WITHOUT PRIOR WRITTEN PERMISSION.			DATE: 28-7-09 DRAWING NO. M156E25-13000 REV: ---	



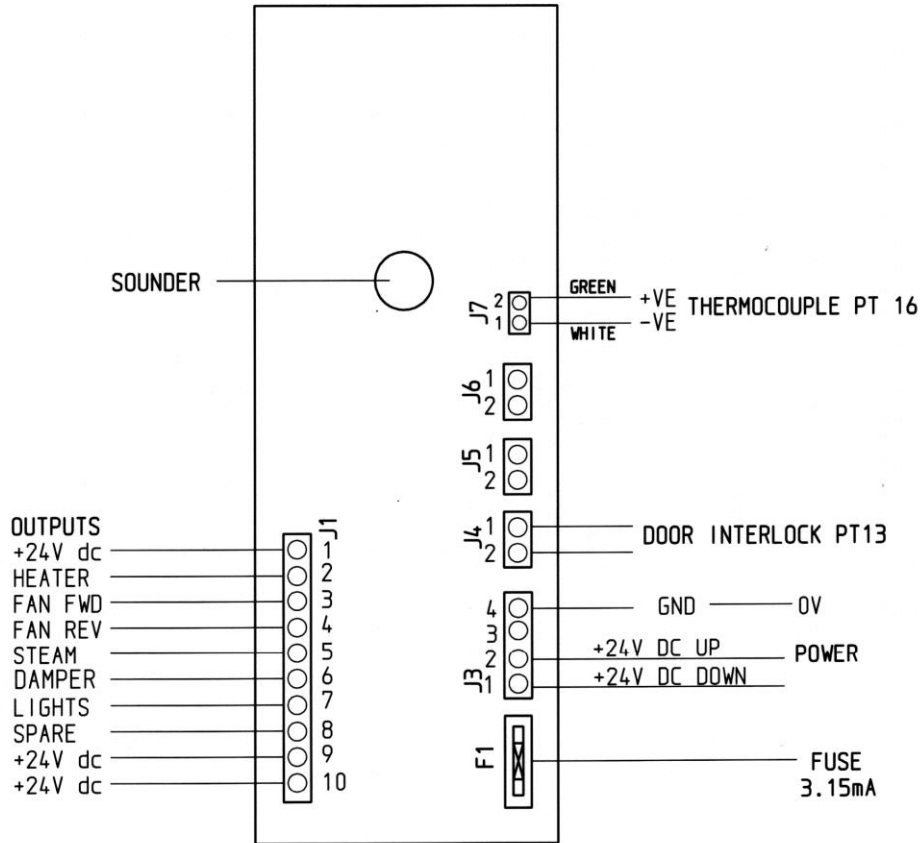
IF IN ANY DOUBT - ASK



REV	SIG	DATE	REVISION	ECN NO.
<p><b>MONO EQUIPMENT</b>            QUEENSWAY            SWANSEA WEST IND PARK            SWANSEA,            SA5 4EB,            TEL: (01792) 861234            FAX: (01792) 861016</p>				
<p><b>ELECTRICAL SPECIFICATIONS:-</b>            220/240V 1 PHASE            380/415 2 PHASE + N</p>			<p><b>TITLE:</b>            P.C.B. INPUTS 2 TRAY            'CLASSIC' L.E.D.</p>	
<p><b>DRAWN:</b>            MT</p>			<p><b>ELECTRICALLY APPROVED BY:-</b>            P. BOYLES</p>	
<p><b>DATE:</b>            14-1-99</p>			<p><b>DRAWING NO.</b>            M156-25-50500</p>	<p><b>REV:</b>            -</p>

COPYRIGHT © 1998 - THIS DESIGN/DRAWING IS THE PROPERTY OF MONO EQUIPMENT LTD. AND MUST NOT BE REPRODUCED, COPIED, NOR ITS CONTENTS DIVULGED WITHOUT PRIOR WRITTEN PERMISSION.

CONTROLLER BOARD AS VIEWED FROM COMPONENT SIDE  
 'CLASSIC' OVEN CONTROLLER



D	RAC	4-11-16	PICTORIAL CHANGES. BOARD WAS B705-97-013 NOW B705-97-027	BX-006-16-17
C	JC	24-1-03	DELETE SMALL COOLING FAN (IN CONJUNCTION WITH ECN 1927)	1925
B	JC	22-1-03	ADD WIRING FOR REAR FAN UNIT	1927
A	JC	22-2-01	RE-ARRANGE POWER CIRCUIT WIRES TO PCB	14/19

REV	SIG	DATE	REVISION	ECN NO.
-----	-----	------	----------	---------

**MONO EQUIPMENT**  
 QUEENSWAY  
 SWANSEA WEST IND PARK  
 SWANSEA.  
 SA5 4EB.  
 TEL: (01792) 561234  
 FAX: (01792) 561016

**TITLE:** MAIN P.C.B. CONNECTIONS  
 4 TRAY CLASSIC OVEN

**DRAWN:** MT  
**ELECTRICALLY APPROVED BY:-**

**ELECTRICAL SPECIFICATIONS:-**

**DATE:** 1-12-98  
**DRAWING NO.** M158E25-50800  
**REV:** D

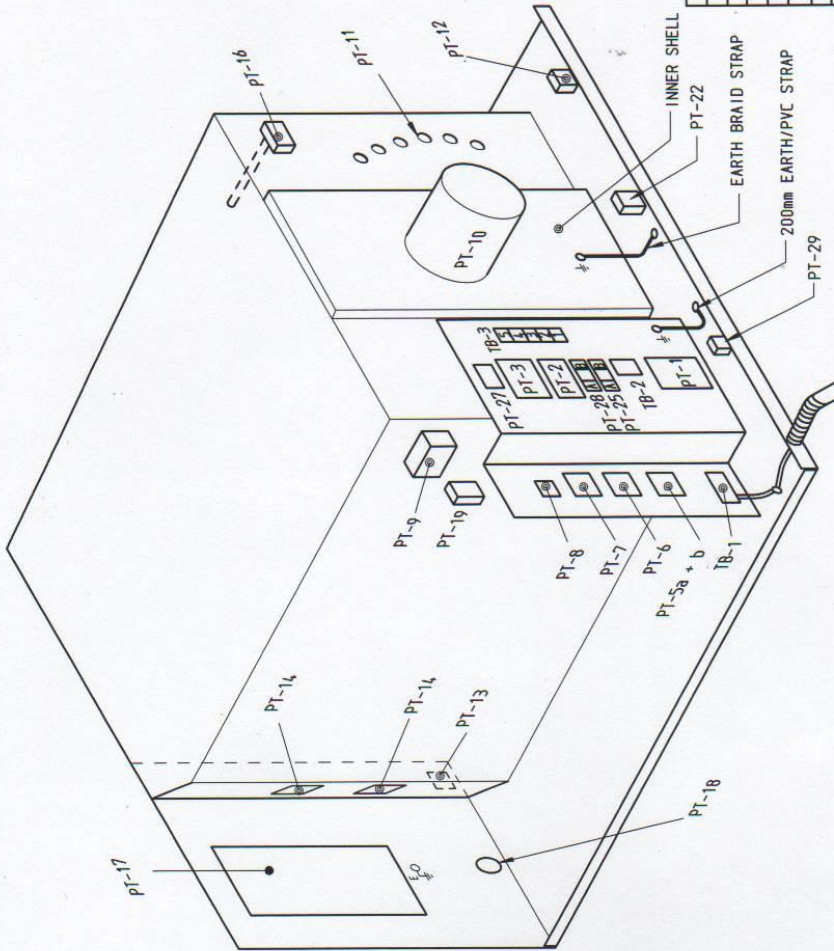
## **FG153/158/159 CLASSIC 4 TRAY 3 PHASE**

M159E25-11300	COMPONENTS (159 ONLY)
M158E25-52000	COMPONENTS (153/158 ONLY)
M158E25-50800	PCB CONNECTIONS
M158E25-50500	PCB INPUTS
M158E25-50100	PCB OUTPUTS
M158E25-20700	CONTROL CIRCUIT
M158E25-01800	POWER CIRCUIT
M158E25-01900	FAN CONNECTIONS AND ELEMENT WIRING

# **SECTION 3**

**FOR ENGINEERS USE ONLY.  
DO NOT ATTEMPT ANY ALTERATIONS.  
IF IN DOUBT, CONTACT MONO FOR ADVICE**

IF IN ANY DOUBT - ASK



DRAWING PT-Ref	DESCRIPTION	MONO PART NUMBER
PT-1	24V DC POWER SUPPLY UNIT	B801-93-005
PT-2a	INTERIOR LIGHT RELAY	B723-37-004
PT-2b	INTERIOR LIGHT RELAY BASE	B723-36-001
PT-3	CONTROL CIRCUIT M.C.B.	B872-22-062
PT-5a	FAN MOTOR OVERLOAD UNIT	B801-03-020
PT-5b	FAN MOTOR OVERLOAD AUXILIARY CONTACT	B801-14-012
PT-6	FAN MOTOR FORWARD CONTACTOR	B801-08-031
PT-7	FAN MOTOR REVERSE CONTACTOR	B801-08-031
PT-8	HEATING ELEMENT CONTACTOR	B801-08-021
PT-9	DAMPER SOLENOID (L/H)	B749-83-003
		B749-83-004
PT-10	FAN MOTOR UNIT	B720-74-001
PT-11	HEATING ELEMENT (240v)	B847-04-068
PT-12	4T WATER INLET ASSY	158-17-004/00
PT-13	DOOR SWITCH	B842-07-023
PT-14A	INTERIOR LIGHT UNIT	B721-67-011
PT-14B	INTERIOR LIGHT BULB	B857-94-007
PT-16	THERMOCOUPLE	B873-95-002
PT-17	MAIN P.C.B.	B705-97-013
PT-18	MAIN ON/OFF SWITCH	B836-07-004
PT-19	REAR COOLING FAN	B869-75-018
PT-22	OVERHEAT THERMOSTAT	B888-30-014
PT-25	INTERNAL LIGHT FUSE	B842-85-042
PT-27	FAN FUSE	B842-85-025
PT-28	AUX FUSE	B842-85-039
PT-29	AUX SUPPLY SOCKET	B970-06-001

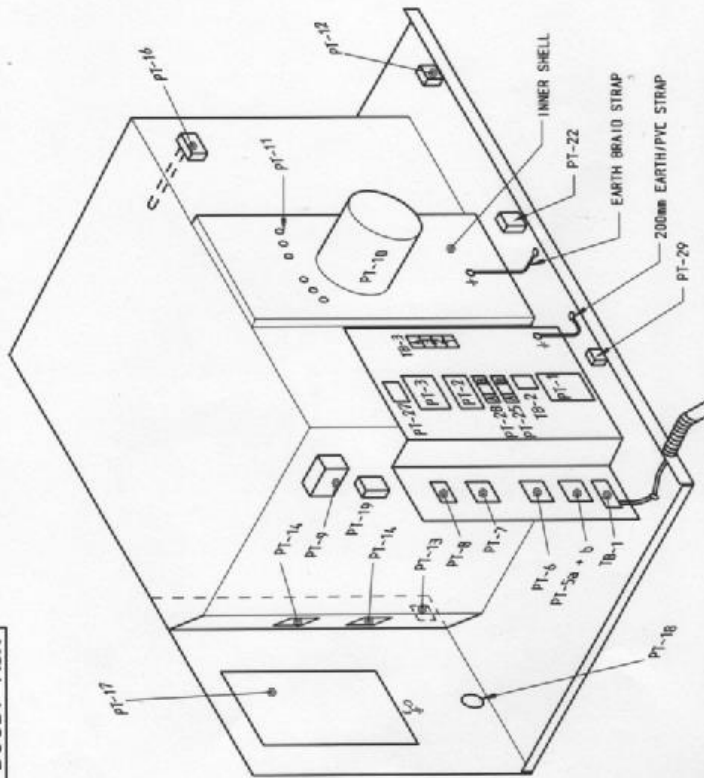
REV	SIG	DATE	REVISION	ECH NO.
J	JC	29-03-10	PT-14A WAS B721-67-006. PT-14B WAS B857-94-004	B15/09
H	JC	29-01-09	PT13 WAS ASSY 154-25-01200 (B801-11-001)	195/08
G	JC	27-03-07	PT28 & 29 ADDED	2946
F	JC	30-10-06	PT-9 WAS B749-83-001 & B749-83-002	2868
E	JC	7-11-05	B801 WAS B859	2573
D	JC	3-8-05	PT-12 WAS B994-83-003	2528
C	JC	27-7-05	PT-16 WAS B873-95-001	2525
B	JC	13-6-05	PT-1 WAS B705-93-006. Techn states 002 but should be 005 3/1/07.	2483
A	JC	7-4-05	PT-14A WAS B721-67-001	2435

		<b>TITLE:</b> ELECTRICAL COMPONENTS LAYOUT 4 TRAY 30 X 18 CLASSIC WITH FORWARD & REVERSE FANS	
QUEENSWAY SWANSEA WEST IND PARK SWANSEA SAS 4EB. TEL: (01792) 561234 FAX: (01792) 561016		<b>DRAWN:</b> JC	<b>ELECTRICALLY APPROVED BY:-</b>
<b>ELECTRICAL SPECIFICATIONS:-</b> 380/415v 3PH 50HZ		<b>DATE:</b> 24-02-05	<b>DRAWING NO.</b> M159E25-11300
			<b>REV:</b> j

COPYRIGHT © 1998 - THIS DESIGN/DRAWING IS THE PROPERTY OF MONO EQUIPMENT LTD. AND MUST NOT BE REPRODUCED. COPIED.  
 NOR ITS CONTENTS DIVULGED WITHOUT PRIOR WRITTEN PERMISSION.



IF IN ANY DOUBT - ASK

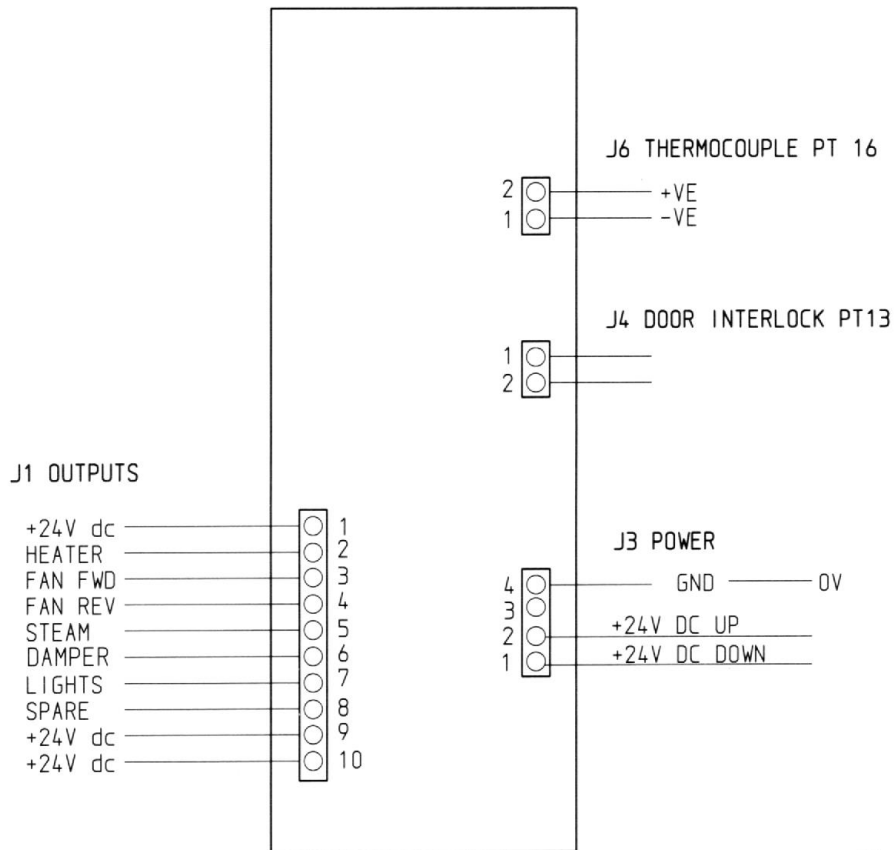



DRAWING PT-Ref	DESCRIPTION	MONO PART NUMBER
PT-1	24V DC POWER SUPPLY UNIT	8801-93-005
PT-2a	INTERIOR LIGHT RELAY	8723-37-004
PT-2b	INTERIOR LIGHT RELAY BASE	8723-36-001
PT-3	CONTROL CIRCUIT M.C.B.	8872-22-062
PT-5a	FAN MOTOR OVERLOAD UNIT	8801-03-020
PT-5b	FAN MOTOR OVERLOAD AUXILIARY CONTACT	8801-14-012
PT-6	FAN MOTOR FORWARD CONTACTOR	8801-08-031
PT-7	FAN MOTOR REVERSE CONTACTOR	8801-08-031
PT-8	HEATING ELEMENT CONTACTOR	8801-08-021
PT-9	DAMPER SOLENOID (L/H)	8749-83-003
PT-9	DAMPER SOLENOID (R/H)	8749-83-004
PT-10	FAN MOTOR UNIT	8720-74-001
PT-11	HEATING ELEMENT (240v)	8847-04-067
PT-11	HEATING ELEMENT (220v)	8847-04-074
PT-12	AT WATER INLET ASSY	158-17-004.00
PT-13	DOOR SWITCH	8842-07-023
PT-14a	INTERIOR LIGHT UNIT	8721-67-011
PT-14b	INTERIOR LIGHT BULB	8857-94-007
PT-16	THERMOCOUPLE	8873-95-002
PT-17	MAIN P.C.B.	8705-97-013
PT-18	MAIN ON/OFF SWITCH	8834-07-004
PT-19	REAR COOLING FAN	8869-75-018
PT-22	OVERHEAT THERMOSTAT	8888-30-014
PT-25	INTERNAL LIGHT FUSE	8842-85-042
PT-27	FAN FUSE	8842-85-025
PT-28	AUX FUSE	8842-85-039
PT-29	AUX SUPPLY SOCKET	8970-06-001

REV	SIG	DATE	REVISION	ECN NO.
M		29-03-10	PT-14a WAS B721-67-011, PT-14b WAS B857-94-004	315/09
L	JC	29-01-09	PT13 WAS ASSY 154-25-01200 (8801-11-001)	195/08
K	JC	27-03-07	PT-28 & 29 ADDED	2946
J	JC	30-10-04	PT-9 WAS B749-83-001 & B749-83-002	2868
I	JC	7-11-05	B801 WAS B859	2573
H	JC	3-8-05	PT-12 WAS B994-83-003	2528
G	JC	27-7-05	PT-16 WAS B873-95-001	2525
F	JC	13-6-05	PT-1 WAS B705-93-006	2483
E	JC	7-4-05	PT-14a WAS B721-67-001	2435
D	JC	22-11-04	PT-18 WAS B842-07-014	2329
C	JC	22-11-04	PT-19 WAS B869-75-023	2318
B	JC	24-1-03	DELETE EXISTING SMALL COOLING FAN (IN CONJUNCTION WITH ECN 1927)	1925
A	JC	22-1-03	PT-27 AND WIRING FOR REAR FAN UNIT ADDED	1927
REV	SIG	DATE	REVISION	ECN NO.

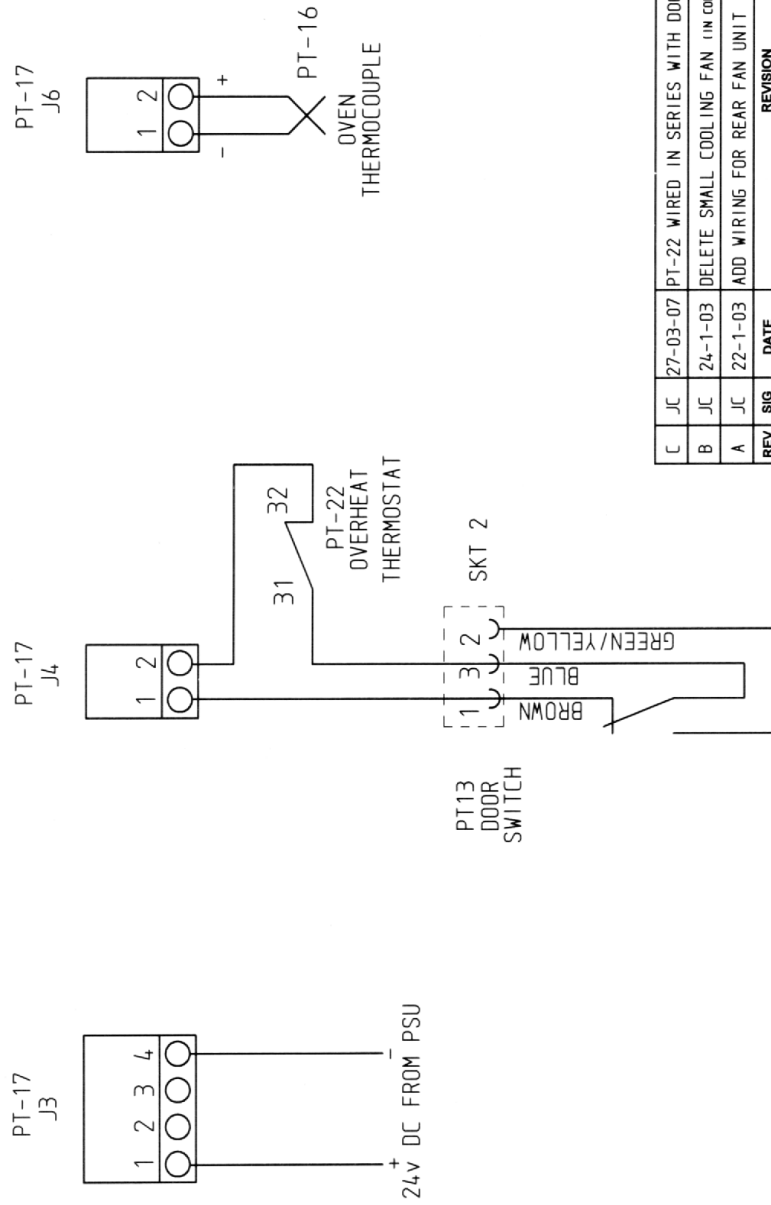
		<b>MONO EQUIPMENT</b> QUEENSWAY SWANSEA WEST IND PARK SWANSEA, SA5 4EB. TEL: (01782) 861234 FAX: (01782) 501018	<b>TITLE:</b> ELECTRICAL COMPONENTS LAYOUT 60 X 40 'CLASSIC' 4 TRAY OVEN WITH RING ELEMENTS	<b>ECN NO.</b>
<b>ELECTRICAL SPECIFICATIONS:-</b> 380/415v 3Ph 50Hz		<b>DRAWN:</b> MT/JC	<b>ELECTRICALLY APPROVED BY:-</b>	<b>REV:</b> M
<b>DATE:</b> 26-11-98		<b>DRAWING NO.:</b> M158E25-52000		<b>REV:</b> M

CONTROLLER BOARD AS VIEWED FROM COMPONENT SIDE  
MONO 'CLASSIC' OVEN CONTROLLER



C	JC	24-1-03	DELETE SMALL COOLING FAN (IN CONJUNCTION WITH ECN 1927)	1925
B	JC	22-1-03	ADD WIRING FOR REAR FAN UNIT	1927
A	JC	22-2-01	RE-ARRANGE POWER CIRCUIT WIRES TO PCB	14/19
REV	SIG	DATE	REVISION	ECN NO.
 <b>MONO EQUIPMENT</b> QUEENSWAY SWANSEA WEST IND PARK SWANSEA. SA5 4EB. TEL: (01792) 561234 FAX: (01792) 561016			TITLE: MAIN P.C.B. CONNECTIONS 4 TRAY CLASSIC OVEN	
ELECTRICAL SPECIFICATIONS:-			DRAWN: MT	ELECTRICALLY APPROVED BY:- P. BOYLES
			DATE: 1-12-98	DRAWING NO. M158E25-50800 REV: C

IF IN ANY DOUBT - ASK



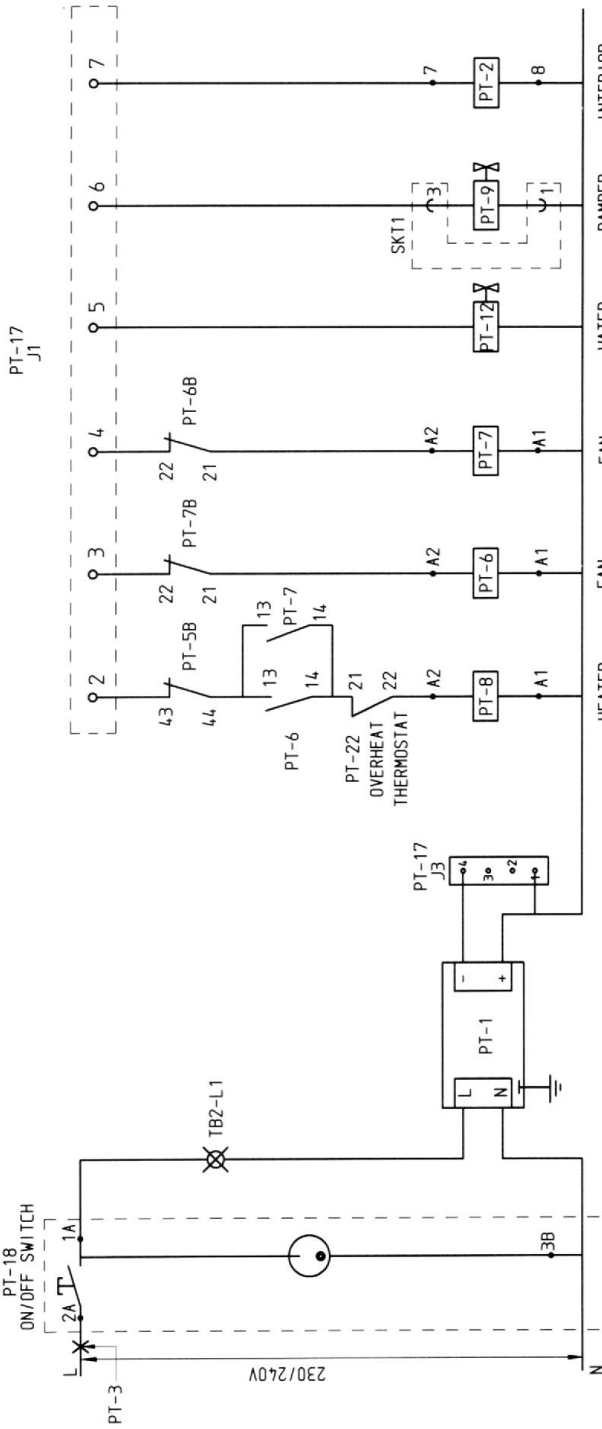
REV	SIG	DATE	DESCRIPTION	ECN NO.
C	JC	27-03-07	PT-22 WIRED IN SERIES WITH DOOR SWITCH(PT-13)	2946
B	JC	24-1-03	DELETE SMALL COOLING FAN (IN CONJUNCTION WITH ECN 1925)	1925
A	JC	22-1-03	ADD WIRING FOR REAR FAN UNIT	1927

<b>MOND EQUIPMENT</b> QUEENSWAY SWANSEA WEST IND PARK SWANSEA, SA5 4EB, W. SALES TEL: (01792) 561234 FAX: (01792) 561016		TITLE: P.C.B. INPUTS 4 TRAY CLASSIC OVEN
ELECTRICAL SPECIFICATIONS:-		DRAWN: MT
ELECTRICALLY APPROVED BY:-		P. BOYLES
DATE: 26-11-98	DRAWING NO. M158E25-50500	REV: C

COPYRIGHT © 1998 - THIS DESIGN/DRAWING IS THE PROPERTY OF MOND EQUIPMENT LTD. AND MUST NOT BE REPRODUCED, COPIED, NOR ITS CONTENTS DIVULGED WITHOUT PRIOR WRITTEN PERMISSION.

IF IN ANY DOUBT - ASK



REV	SIG	DATE	REVISION	ECN NO.
F	JC	27-03-07	PT-22 WIRING CHANGED	2946
E	JC	7-11-05	A1 AND A2 CHANGED AROUND	2573
D	JC	22-11-04	PT-18 WAS B869-75-023	2318
C	JC	26-9-03	PT18 WIRED IN CONJUNCTION WITH ECN 2055-2057	2058
B	JC	24-1-03	DELETE SMALL COOLING FAN (IN CONJUNCTION WITH ECN 1927)	1925
A	JC	22-1-03	ADD WIRING FOR REAR FAN UNIT	1927

**MONO EQUIPMENT**  
 QUEENSWAY  
 WILSONIA WEST IND PARK  
 SWANSEA  
 SA5 4EB  
 TEL: (01792) 561234  
 FAX: (01792) 561016

**TITLE:**  
 P.C.B. OUTPUTS  
 4 TRAY CLASSIC L.E.D. OVEN

**ELECTRICAL SPECIFICATIONS:-**  
 380/415V 3 PHASE 50HZ

**DRAWN:** MT  
**DATE:** 26-11-98

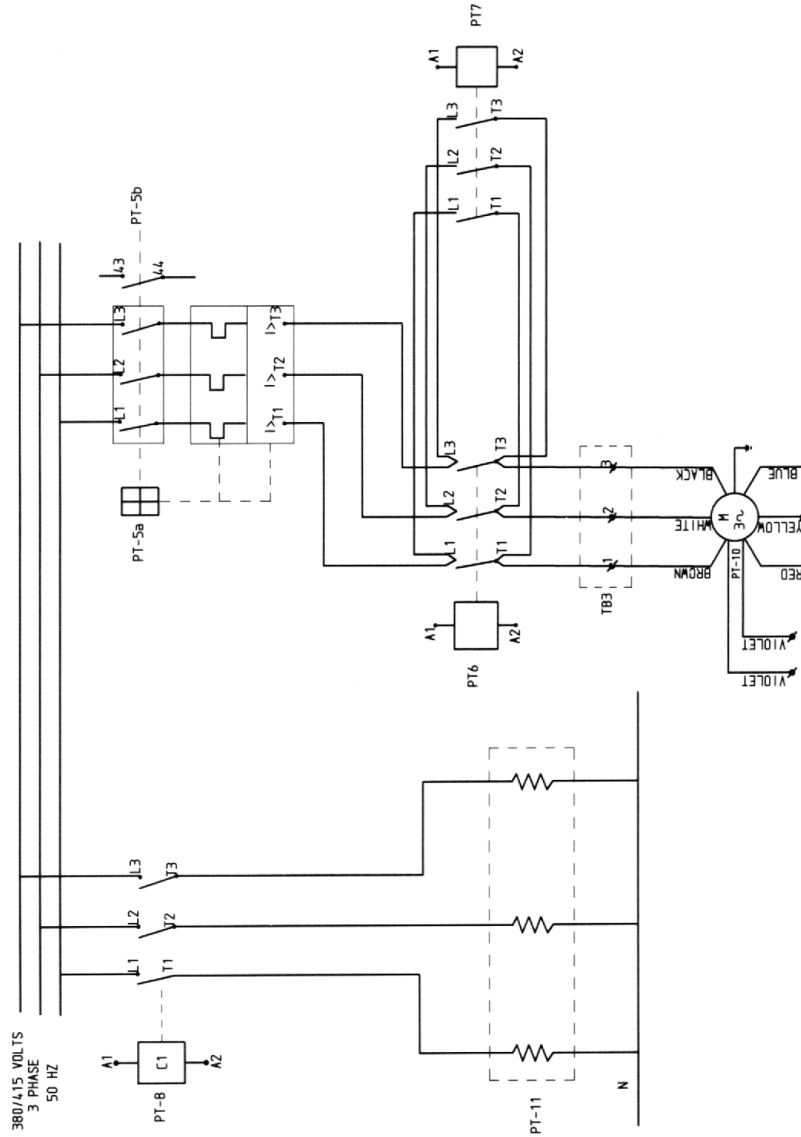
**ELECTRICALLY APPROVED BY:-**  
 P. BOYLES

**DRAWING NO.** MT58E25-50100  
**REV:** F

COPYRIGHT © 1998 - THIS DESIGN/DRAWING IS THE PROPERTY OF MONO EQUIPMENT LTD. AND MUST NOT BE REPRODUCED, COPIED, NOR ITS CONTENTS DIVULGED WITHOUT PRIOR WRITTEN PERMISSION.



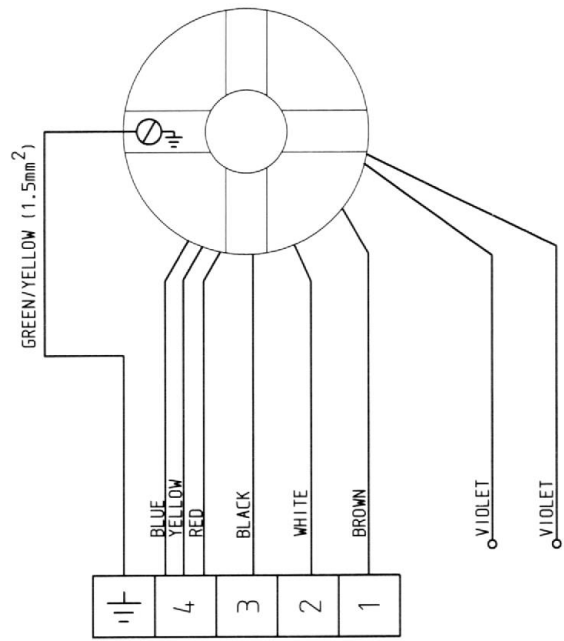
IF IN ANY DOUBT - ASK



REV	SIG	DATE	REVISION	ECN NO.
A	JC	27-03-07	PT-22 REMOVED	2946
<p><b>MONO EQUIPMENT</b>                  QUEENSWAY                  SWANSEA WEST IND PARK                  SWANSEA,                  SA5 4EB.                  TEL: (01792) 561234                  FAX: (01792) 561016</p>				
ELECTRICAL SPECIFICATIONS:-			TITLE: POWER CIRCUIT DIAGRAM 4 TRAY OVEN	
DRAWN: MT			ELECTRICALLY APPROVED BY:- P. BOYLES	
DATE: 29-6-99			DRAWING NO. M158E25-01800	
			REV: A	

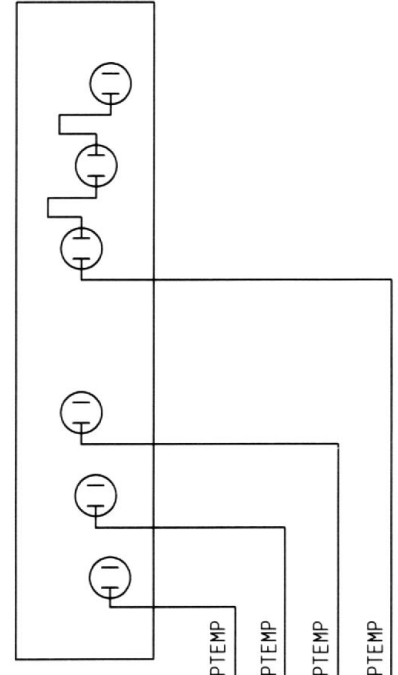
COPYRIGHT © 1998 - THIS DESIGN/DRAWING IS THE PROPERTY OF MONO EQUIPMENT LTD. AND MUST NOT BE REPRODUCED, COPIED, NOR ITS CONTENTS DIVULGED WITHOUT PRIOR WRITTEN PERMISSION.

IF IN ANY DOUBT - ASK



FAN MOTOR CONNECTIONS

PT11



- L1 1.5 mm<sup>2</sup> PTEMP
- L2 1.5 mm<sup>2</sup> PTEMP
- L3 1.5 mm<sup>2</sup> PTEMP
- N 1.5 mm<sup>2</sup> PTEMP

HEATING ELEMENT WIRING

REV	SIG	DATE	REVISION	ECN NO.
			FAN MOTOR CONNECTIONS & HEATING ELEMENT WIRING (RING ELEMENT TYPE)	
 <b>MONO EQUIPMENT</b> QUEENSWAY SWANSEA WEST IND PARK SWANSEA, SAWS 4EB. SAWS 4EB.			TITLE: FAN MOTOR CONNECTIONS & HEATING ELEMENT WIRING (RING ELEMENT TYPE)	
TEL: (01782) 561234 FAX: (01782) 561016			DRAWN: MT ELECTRICALLY APPROVED BY: P. BOYLES	
ELECTRICAL SPECIFICATIONS:- 380/4.15V 3PH 50Hz			DATE: 29-6-99 DRAWING NO: M158-25-01900	
			REV: -	

COPYRIGHT © 1998 - THIS DESIGN/DRAWING IS THE PROPERTY OF MONO EQUIPMENT LTD. AND MUST NOT BE REPRODUCED, COPIED, NOR ITS CONTENTS DIVULGED WITHOUT PRIOR WRITTEN PERMISSION.

## FG153/158/159 CLASSIC 4 TRAY 1 PHASE

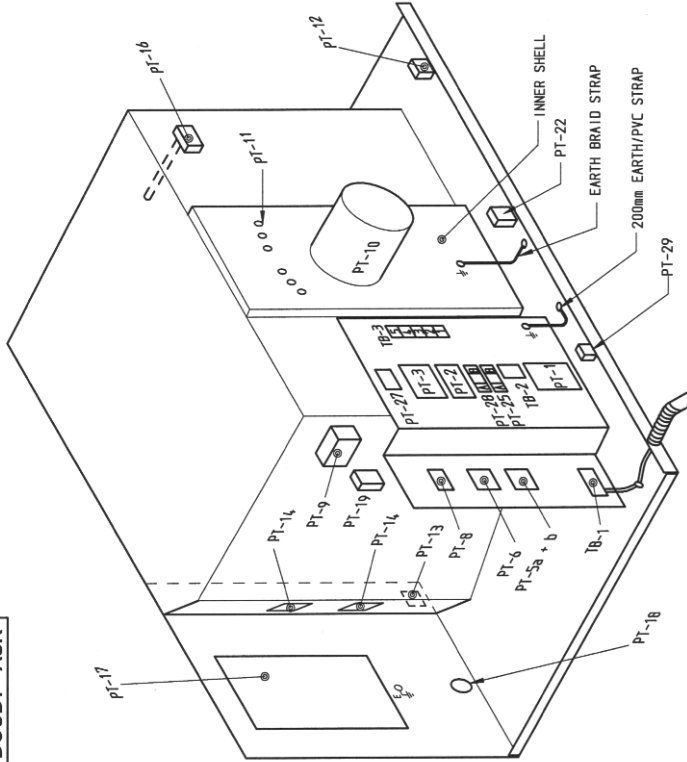
M158E25-51200	COMPONENTS (153/158 ONLY)
M159E25-11200	COMPONENTS (159 ONLY)
M158E25-51400	PCB OUTPUTS
M158-25-51500	PCB CONNECTIONS
M158E25-50500	PCB INPUTS
M158E25-20700	CONTROL CIRCUIT
M158E25-51300	POWER CIRCUIT
M158E25-52200	FAN CONNECTIONS AND ELEMENT WIRING

# SECTION 4

**FOR ENGINEERS USE ONLY.**  
DO NOT ATTEMPT ANY ALTERATIONS.  
IF IN DOUBT, CONTACT MONO FOR ADVICE



IF IN ANY DOUBT - ASK

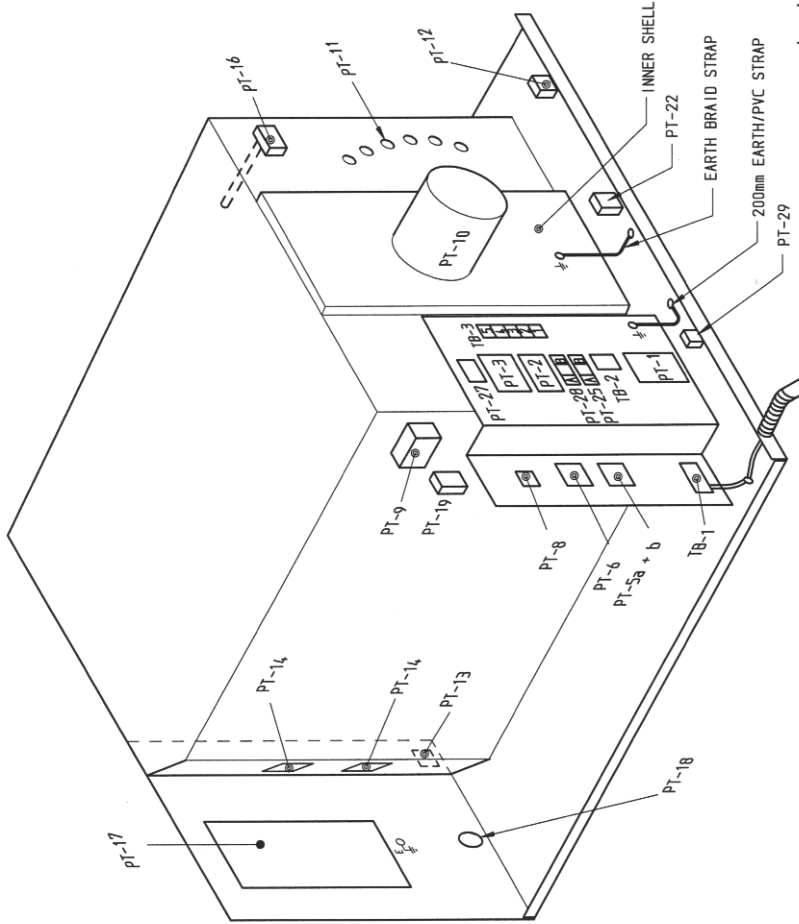


DRAWING PT-Ref	DESCRIPTION	MONO PART NUMBER
PT-1	24V DC POWER SUPPLY UNIT	B801-93-005
PT-2a	INTERIOR LIGHT RELAY	B723-37-004
PT-2b	INTERIOR LIGHT RELAY BASE	B723-36-001
PT-3	CONTROL CIRCUIT M.C.B.	B872-22-062
PT-5a	FAN MOTOR OVERLOAD UNIT	B801-03-023
PT-5b	FAN MOTOR OVERLOAD AUXILIARY CONTACT	B801-14-012
PT-6	FAN MOTOR FORWARD CONTACTOR	B801-08-031
PT-8	HEATING ELEMENT CONTACTOR	B801-08-021
PT-9	DAMPER SOLENOID (L/H)	B749-83-003
PT-9	DAMPER SOLENOID (R/H)	B749-83-004
PT-10	FAN MOTOR UNIT	B720-74-001
PT-11	HEATING ELEMENT	B847-04-067
PT-12	AT WATER INLET ASSY	158-17-00400
PT-13	DOOR SWITCH	B842-07-023
PT-14a	INTERIOR LIGHT UNIT	B721-67-011
PT-14b	INTERIOR LIGHT BULB	B857-94-007
PT-16	THERMOCOUPLE	B873-95-002
PT-17	MAIN P.C.B.	B705-97-013
PT-18	MAIN ON/OFF SWITCH	B836-07-004
PT-19	REAR COOLING FAN	B869-75-018
PT-22	OVERHEAT THERMOSTAT	B888-30-014
PT-25	INTERNAL LIGHT FUSE	B842-85-042
PT-26	FAN MOTOR CAPACITOR	B720-23-001
PT-27	FAN FUSE	B842-85-025
PT-28	AUX FUSE	B842-85-039
PT-29	AUX SUPPLY SOCKET	B970-06-001

REV	SIG	DATE	REVISION	ECN NO.
N	RAC	29-03-10	PT-14A WAS B721-67-006. PT14-B WAS B857-94-004.	315/09
M	JC	29-01-09	PT13 WAS ASSY 154-25-01200 (B801-11-001)	195/08
L	JC	27-03-07	PT-28 & 29 ADDED	2946
K	JC	30-10-06	PT-9 WAS B749-83-001 & B749-83-002	2868
J	RAC	1-11-05	B801- was B859-	2573
I	JC	3-8-05	PT-12 WAS B994-83-003	2528
H	JC	27-7-05	PT-16 WAS B873-95-001	2525
G	JC	13-6-05	PT-1 WAS B705-93-006	2483
F	JC	7-4-05	PT-14A WAS B721-67-001	2435
E	JC	22-11-04	PT-18 WAS B842-07-014	2329
D	JC	22-11-04	PT-19 WAS B869-75-023	2318
C	JC	24-1-03	DELETE EXISTING SMALL COOLING FAN (IN CONJUNCTION WITH ECN 1927)	1925
B	JC	22-1-03	DELETE EXISTING WIRING FOR REAR FAN UNIT ADDED	1927
A	JC	27-1-00	PT-5a WAS B859-03-006	11/04
REV	SIG	DATE	REVISION	ECN NO.
COPYRIGHT © 1998 - THIS DESIGN/DRAWING IS THE PROPERTY OF MONO EQUIPMENT LTD. AND MUST NOT BE REPRODUCED, COPIED, NOR ITS CONTENTS DIVULGED WITHOUT PRIOR WRITTEN PERMISSION.				

REV	SIG	DATE	REVISION	ECN NO.
MONO EQUIPMENT QUEENSWAY SWANSEA WEST IND PARK SWANSEA, SAS-HEB. TEL: (01792) 561234 FAX: (01792) 561016			TITLE: ELECTRICAL COMPONENTS LAYOUT 4. TRAY 60 X 40 CLASSIC, ONE WAY FAN ROTATING OVEN WITH STANDARD FAN IMPELLER	
ELECTRICAL SPECIFICATIONS:- 230V 1PH 50HZ			DRAWN: MT/JC	ELECTRICALLY APPROVED BY:-
			DATE: 7-7-99	DRAWING NO: M158E25-51200
				REV: N

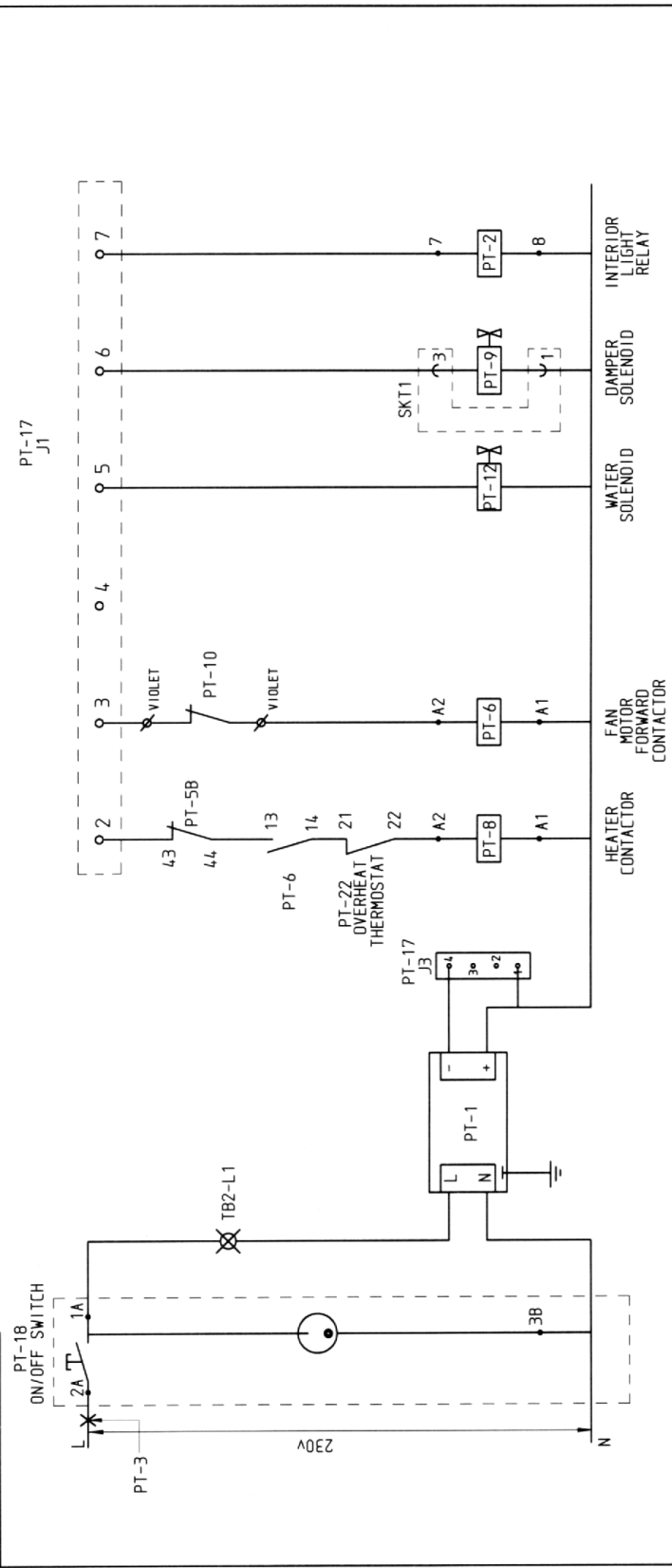
IF IN ANY DOUBT - ASK



DRAWING PT-Ref	DESCRIPTION	MONO PART NUMBER
PT-1	24V DC POWER SUPPLY UNIT	B801-93-005
PT-2a	INTERIOR LIGHT RELAY	B723-37-004
PT-2b	INTERIOR LIGHT RELAY BASE	B723-36-001
PT-3	CONTROL CIRCUIT M.C.B.	B872-22-062
PT-5a	FAN MOTOR OVERLOAD UNIT	B801-03-023
PT-5b	FAN MOTOR OVERLOAD AUXILIARY CONTACT	B801-14-012
PT-6	FAN MOTOR FORWARD CONTACTOR	B801-08-031
PT-8	HEATING ELEMENT CONTACTOR	B801-08-021
PT-9	DAMPER SOLENOID (L/H)	B749-83-003
PT-9	DAMPER SOLENOID (R/H)	B749-83-004
PT-10	FAN MOTOR UNIT	B720-74-001
PT-11	HEATING ELEMENT	B847-04-068
PT-12	4T WATER INLET ASSY	158-17-004.00
PT-13	DOOR SWITCH	B842-07-023
PT-14A	INTERIOR LIGHT UNIT	B721-67-011
PT-14B	INTERIOR LIGHT BULB	B857-94-007
PT-16	THERMOUPLE	B873-95-002
PT-17	MAIN P.C.B.	B705-97-013
PT-18	MAIN ON/OFF SWITCH	B836-07-004
PT-19	REAR COOLING FAN	B869-75-018
PT-22	OVERHEAT THERMOSTAT	B888-30-014
PT-25	INTERNAL LIGHT FUSE	B842-85-042
PT-26	FAN MOTOR CAPACITOR	B720-23-001
PT-27	FAN FUSE	B842-85-025
PT-28	AUX FUSE	B842-85-039
PT-29	AUX SUPPLY SOCKET	B970-06-001

REV	SIG	DATE	REVISION	ECN NO.
J	RAC	29-03-10	PT-14A WAS B721-67-011, PT14B WAS B857-94-007	315/010
H	JC	29-01-04	PT13 WAS ASSY 154-25-01200 (B801-11-001)	195/08
G	JC	27-03-07	PT-28 & 29 ADDED	2946
F	JC	30-10-04	PT-9 WAS B749-83-001 & B749-83-002	2868
E	RAC	1-11-05	B801- was B859-	2573
D	JC	3-8-05	PT-12 WAS B994-83-003	2528
C	JC	27-7-05	PT-16 WAS B873-95-001	2525
B	JC	13-6-05	PT-1 WAS B705-93-006	2483
A	JC	7-4-05	PT-14A WAS B721-67-001	2435
REV	SIG	DATE	REVISION	ECN NO.
COPYRIGHT © 1998 - THIS DESIGN/DRAWING IS THE PROPERTY OF MONO EQUIPMENT LTD. AND MUST NOT BE REPRODUCED, COPIED, NOR ITS CONTENTS DIVULGED WITHOUT PRIOR WRITTEN PERMISSION.				
ELECTRICAL COMPONENTS LAYOUT				4. TRAY 30 X 18 CLASSIC, ONE WAY FAN ROTATING OVEN WITH STANDARD FAN IMPELLER
TITLE:				
ELECTRICALLY APPROVED BY:-				DRAWING NO. MT59E25-11200
DRAWN: JC				
DATE: 6-12-04				REV: J
ELECTRICAL SPECIFICATIONS:- 230V 1PH 50HZ				

IF IN ANY DOUBT - ASK



REV	SIG	DATE	REVISION	ECN NO.
F	JC	27-03-07	PT-22 WIRING CHANGED	2946
E	RAC	1-11-05	A1 A2 reversed	2573
D	JC	22-11-04	PT-18 WAS B842-07-014	2329
C	JC	26-9-03	PT18 WIRED IN CONJUNCTION WITH ECN 2055-2057	2058
B	JC	24-1-03	DELETE SMALL COOLING FAN IN CONJUNCTION WITH ECN 1927	1925
A	JC	22-1-03	ADD WIRING FOR REAR FAN UNIT	1927

**MONO EQUIPMENT**  
 QUEENSWAY  
 SWANSEA WEST IND PARK  
 SWANSEA,  
 SA5 4EB  
 TEL: (01792) 561234  
 FAX: (01792) 361016

**TITLE:** P.C.B. OUTPUTS  
 4 TRAY CLASSIC  
 ONE WAY FAN ROTATING OVEN  
 WITH STANDARD FAN IMPELLER

**ELECTRICAL SPECIFICATIONS:-**  
 230V 1PH 50HZ

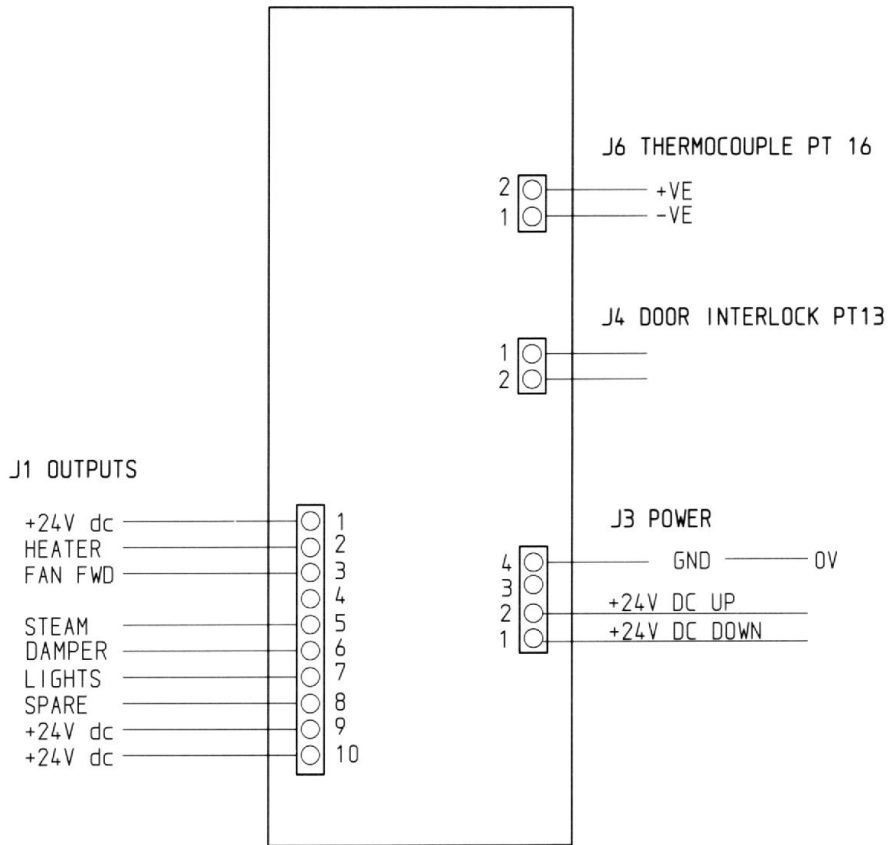
**DRAWN:** MT/JC  
**ELECTRICALLY APPROVED BY:-**  
 P. BOYLES


**DATE:** 12-7-99  
**DRAWING NO:** M58E25-514.00

**REV:** F

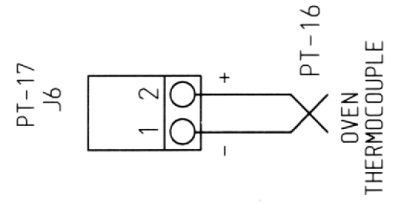
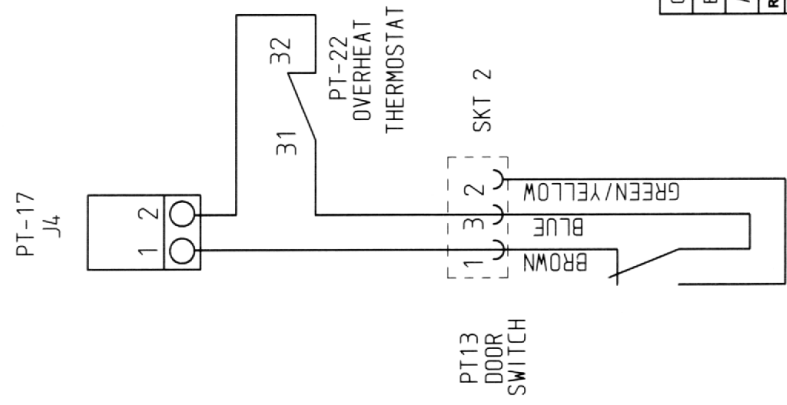
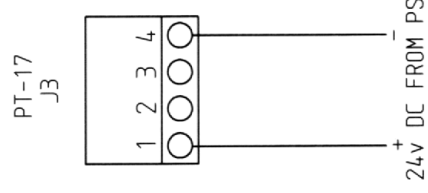
COPYRIGHT © 1998 - THIS DESIGN/DRAWING IS THE PROPERTY OF MONO EQUIPMENT LTD. AND MUST NOT BE REPRODUCED, COPIED, NOR ITS CONTENTS DIVULGED WITHOUT PRIOR WRITTEN PERMISSION.

CONTROLLER BOARD AS VIEWED FROM COMPONENT SIDE  
 MONO 'CLASSIC' OVEN CONTROLLER



C	JC	24-1-03	DELETE SMALL COOLING FAN (IN CONJUNCTION WITH ECN 1927)	1925
B	JC	22-1-03	ADD WIRING FOR REAR FAN UNIT	1927
A	JC	22-2-01	RE-ARRANGE POWER CIRCUIT WIRES TO PCB	14/19
REV	SIG	DATE	REVISION	ECN NO.
 <b>MONO EQUIPMENT</b> QUEENSWAY SWANSEA WEST IND PARK SWANSEA. SA5 4EB. TEL: (01792) 561234 FAX: (01792) 561016			<b>TITLE:</b> MAIN P.C.B. CONNECTIONS 4 TRAY CLASSIC ONE WAY FAN ROTATION OVEN WITH STANDARD FAN IMPELLER	
<b>ELECTRICAL SPECIFICATIONS:-</b>			<b>DRAWN:</b> MT/JC	<b>ELECTRICALLY APPROVED BY:-</b> P. BOYLES
			<b>DATE:</b> 12-7-99	<b>DRAWING NO.</b> M158-25-51500
				<b>REV:</b> C

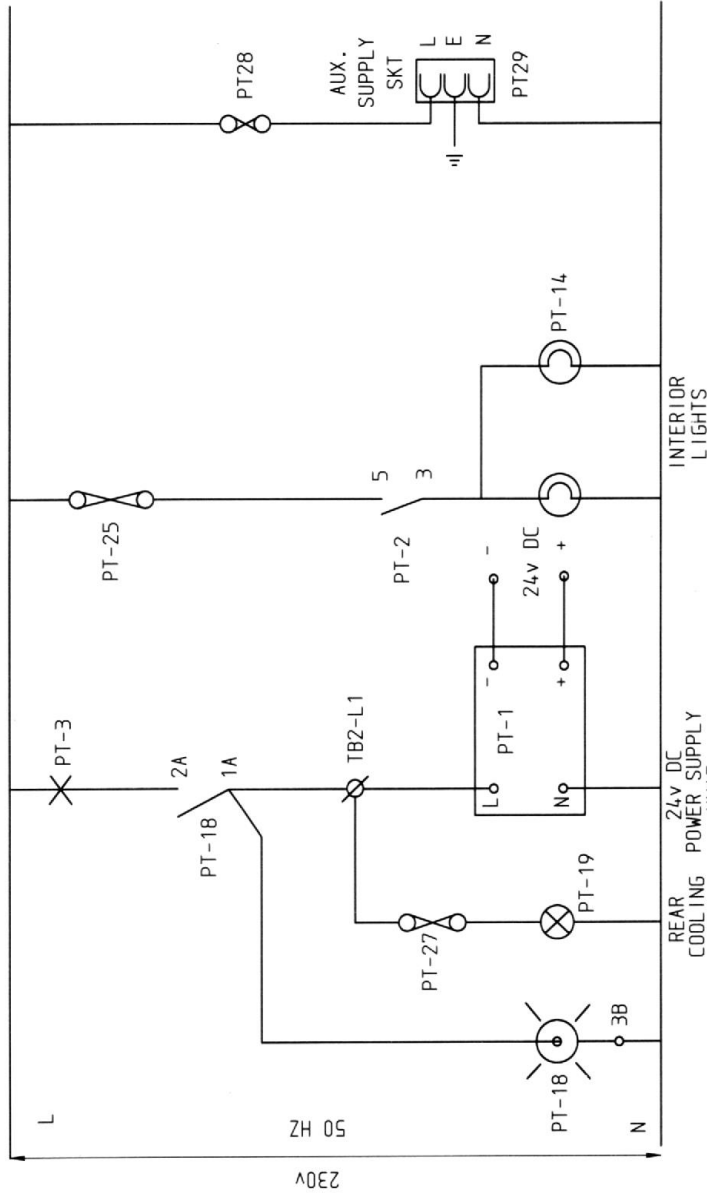
IF IN ANY DOUBT - ASK



C	JC	27-03-07	PT-22 WIRED IN SERIES WITH DOOR SWITCH(PT-13)	2946
B	JC	24-1-03	DELETE SMALL COOLING FAN (IN CONJUNCTION WITH ECN 1927)	1925
A	JC	22-1-03	ADD WIRING FOR REAR FAN UNIT	1927
REV	SIG	DATE	REVISION	ECN NO.
<p><b>MONO EQUIPMENT</b>          SUER SWANSEA WEST IND PARK          SWANSEA          SA5 4EB          TEL: (01792) 561234          FAX: (01792) 561016</p>				
TITLE:			P.C.B. INPUTS 4 TRAY CLASSIC OVEN	
ELECTRICAL SPECIFICATIONS:-			DRAWN: MT ELECTRICALLY APPROVED BY:- P. BOYLES	
DATE:			DRAWING NO. M158E25-50500	
26-11-98			REV: C	

COPYRIGHT © 1998 - THIS DESIGN/DRAWING IS THE PROPERTY OF MONO EQUIPMENT LTD. AND MUST NOT BE REPRODUCED, COPIED, NOR ITS CONTENTS DIVULGED WITHOUT PRIOR WRITTEN PERMISSION.

IF IN ANY DOUBT - ASK



REV	SIG	DATE	REVISION	ECN NO.
D	JC	27-03-07	PT-28 & 29 ADDED	2946
C	JC	22-11-04	PT-18 CHANGED	2329
B	JC	25-9-03	SWITCH (PT-18) CHANGED	2057
A	JC	22-1-03	ADD WIRING FOR REAR FAN UNIT	1927

**MONO EQUIPMENT**  
 QUEENSWAY  
 WILSONIA WEST IND PARK  
 SWANSEA SA5 4EB  
 SA5 4EB  
 TEL: (01792) 561234  
 FAX: (01792) 561016

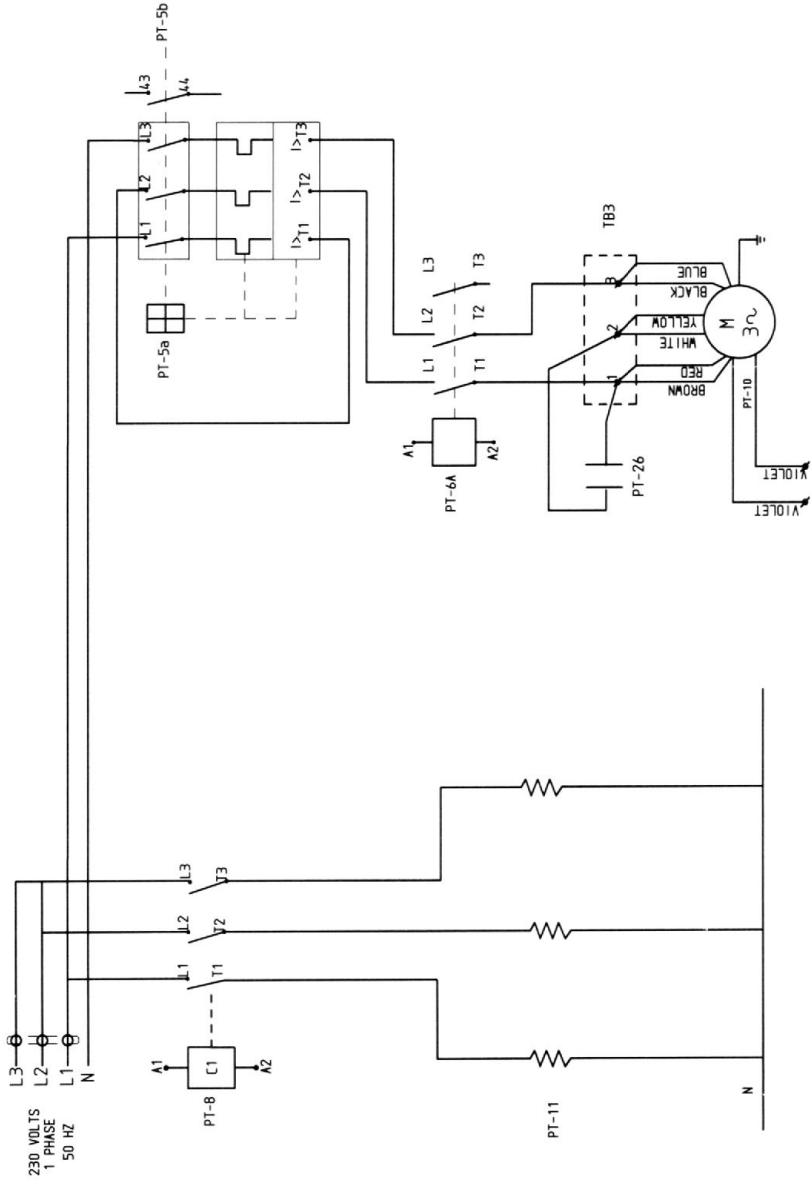
**TITLE:**  
 BX 4 TRAY OVEN  
 CONTROL CIRCUIT

**DRAWN:** JC  
**ELECTRICALLY APPROVED BY:-**  
 P. BOYLES

**DATE:** 14/12/01  
**DRAWING NO.:** M158E25-20700  
**REV.:** D

COPYRIGHT © 1998 - THIS DESIGN/DRAWING IS THE PROPERTY OF MONO EQUIPMENT LTD. AND MUST NOT BE REPRODUCED, COPIED, NOR ITS CONTENTS DIVULGED WITHOUT PRIOR WRITTEN PERMISSION.

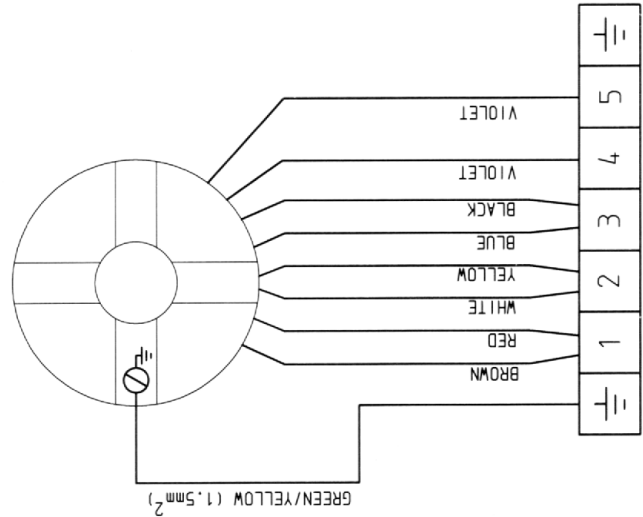
IF IN ANY DOUBT - ASK



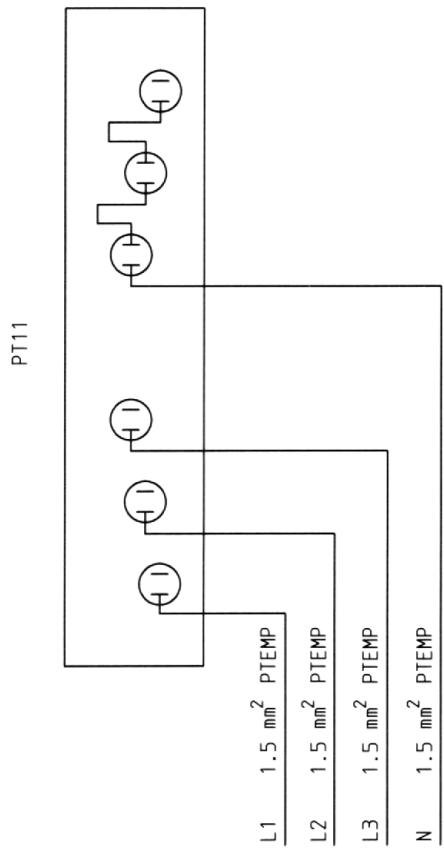
REV	SIG	DATE	REVISION	ECN NO.
A	JC	27-03-07	PT-22 REMOVED	2946
<p><b>MONO EQUIPMENT</b>            QUEENSWAY            SWANSEA            SA5 4EB            TEL: (01792) 561234            FAX: (01792) 561016</p>				
<p><b>TITLE:</b>            POWER CIRCUIT DIAGRAM            4 TRAY CLASSIC/COLOUR            ONE WAY FAN ROTATING OVEN            WITH STANDARD FAN IMPELLER</p>			<p><b>DRAWN:</b>            JC</p>	
<p><b>ELECTRICAL SPECIFICATIONS:-</b>            230V 1PH 50Hz</p>			<p><b>ELECTRICALLY APPROVED BY:-</b>            P. BOYLES</p>	
<p><b>DATE:</b>            12-7-99</p>			<p><b>DRAWING NO.:</b>            M158E25-51300</p>	
<p><b>REV:</b>            A</p>			<p><b>REV:</b>            A</p>	

COPYRIGHT © 1998 - THIS DESIGN/DRAWING IS THE PROPERTY OF MONO EQUIPMENT LTD. AND MUST NOT BE REPRODUCED, COPIED, NOR ITS CONTENTS DIVULGED WITHOUT PRIOR WRITTEN PERMISSION.

IF IN ANY DOUBT - ASK



FAN MOTOR CONNECTIONS



HEATING ELEMENT WIRING

PT11

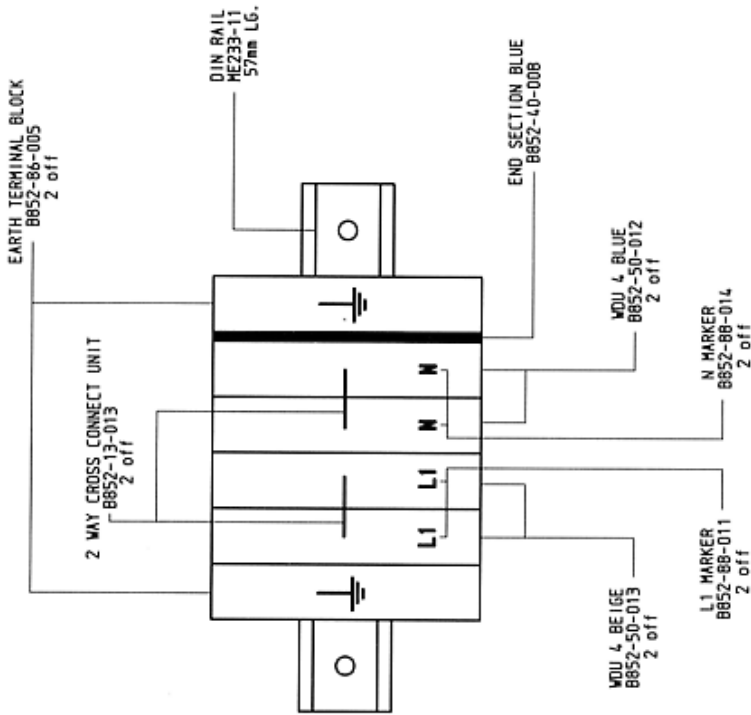
REV	SIG	DATE	REVISION	ECN NO.
			FAN MOTOR CONNECTIONS & HEATING ELEMENT WIRING 4 TRAY CLASSIC/COLOUR ONE WAY FAN ROTATING OVEN	
 MONO EQUIPMENT QUEENSWAY SWANSEA WEST IND PARK SWANSEA SA5 4EB TEL: (01792) 861924 FAX: (01792) 861016			TITLE: DRAWN: DATE:	
ELECTRICAL SPECIFICATIONS:-			JC	ELECTRICALLY APPROVED BY:- P. BOYLES
230V 1PH 50Hz			15-7-99	MT58E25-52200
			REV: —	

COPYRIGHT © 1998 - THIS DESIGN/DRAWING IS THE PROPERTY OF MONO EQUIPMENT LTD. AND MUST NOT BE REPRODUCED, COPIED, NOR ITS CONTENTS DIVULGED WITHOUT PRIOR WRITTEN PERMISSION.

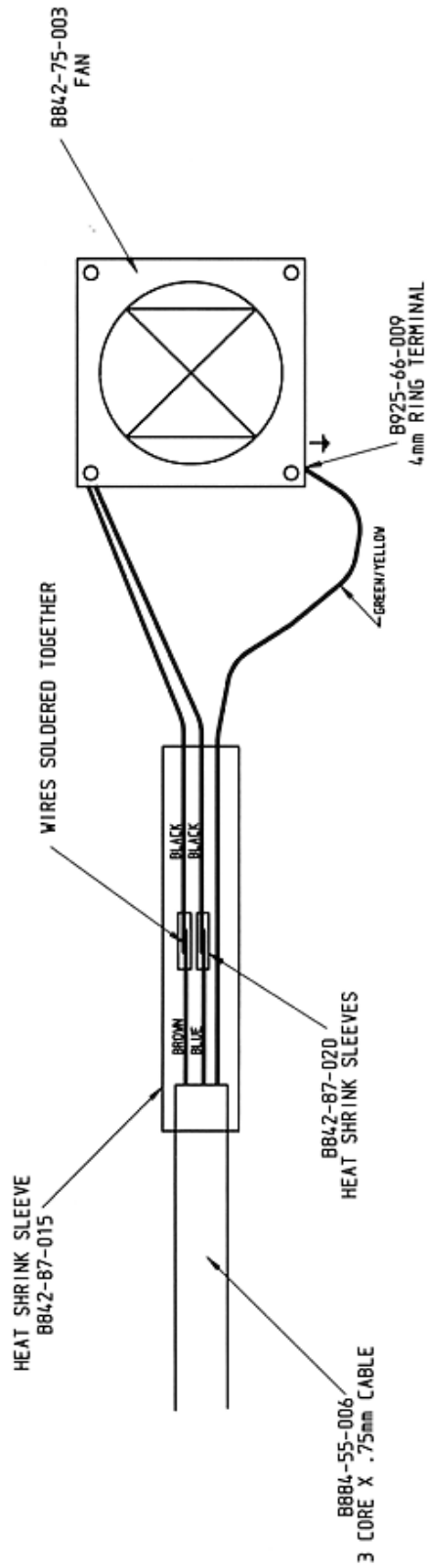


**FOR ENGINEERS USE ONLY.**  
DO NOT ATTEMPT ANY ALTERATIONS.  
IF IN DOUBT, CONTACT MONO FOR ADVICE

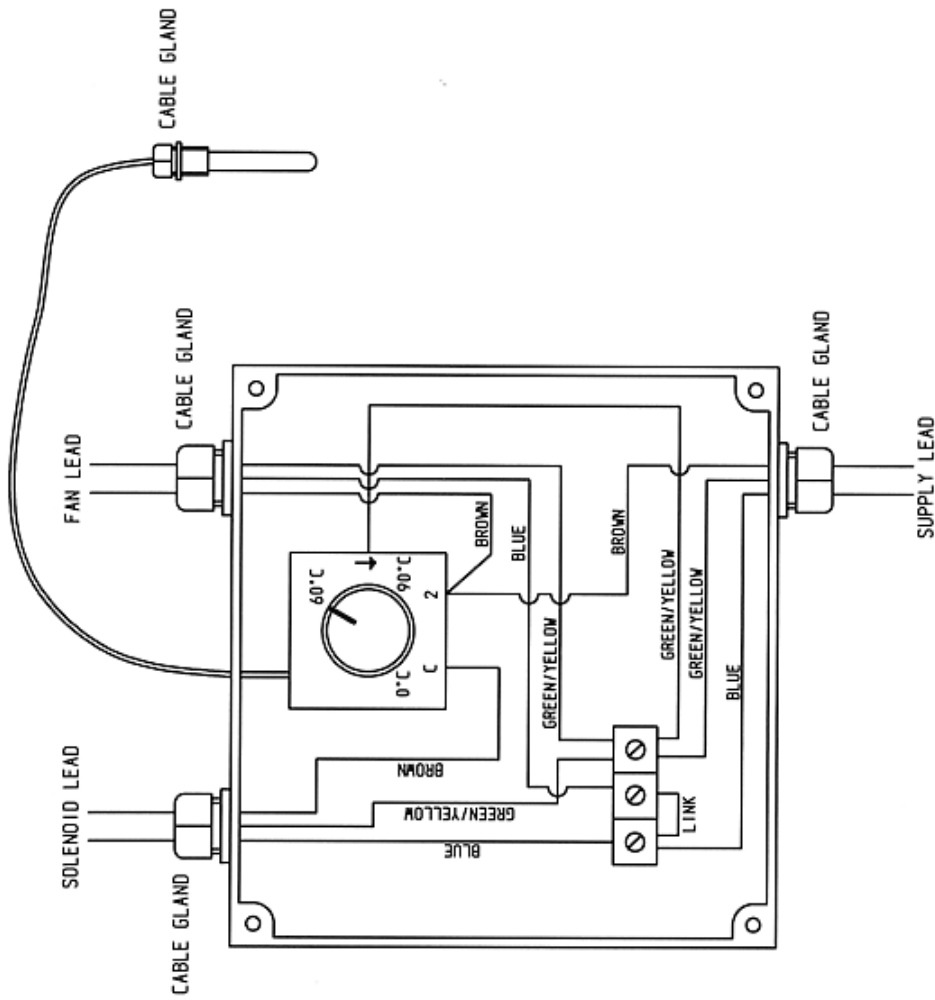
**CONDENSER**



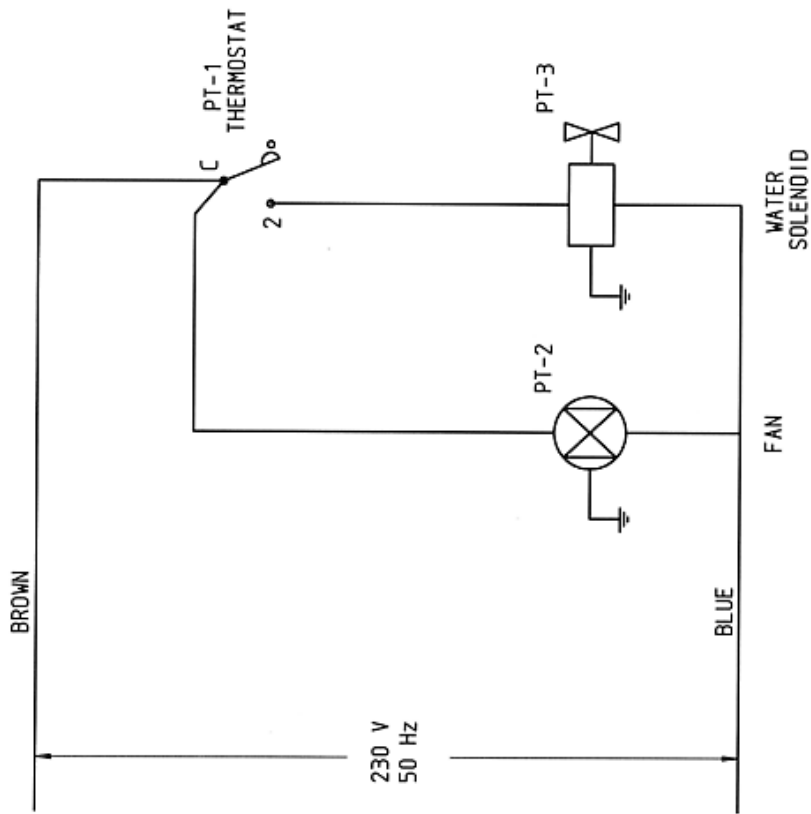
CONDENSER UNIT  
TERMINAL BLOCK LAYOUT  
H150-25-10000



CONDENSER UNIT  
FAN CONNECTIONS  
M150-25-10200



CONDENSER UNIT  
ENCLOSURE BOX CONNECTIONS  
M150-25-10300



CONDENSER UNIT  
CIRCUIT DIAGRAM

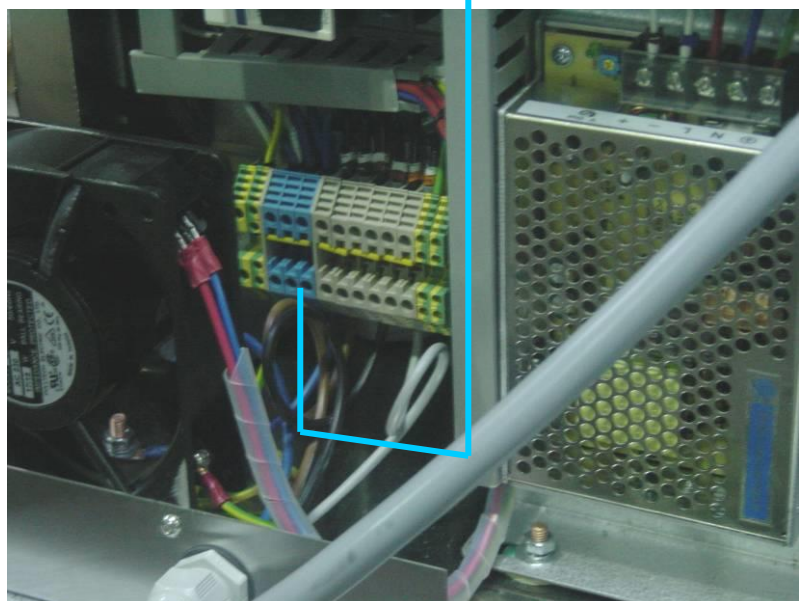
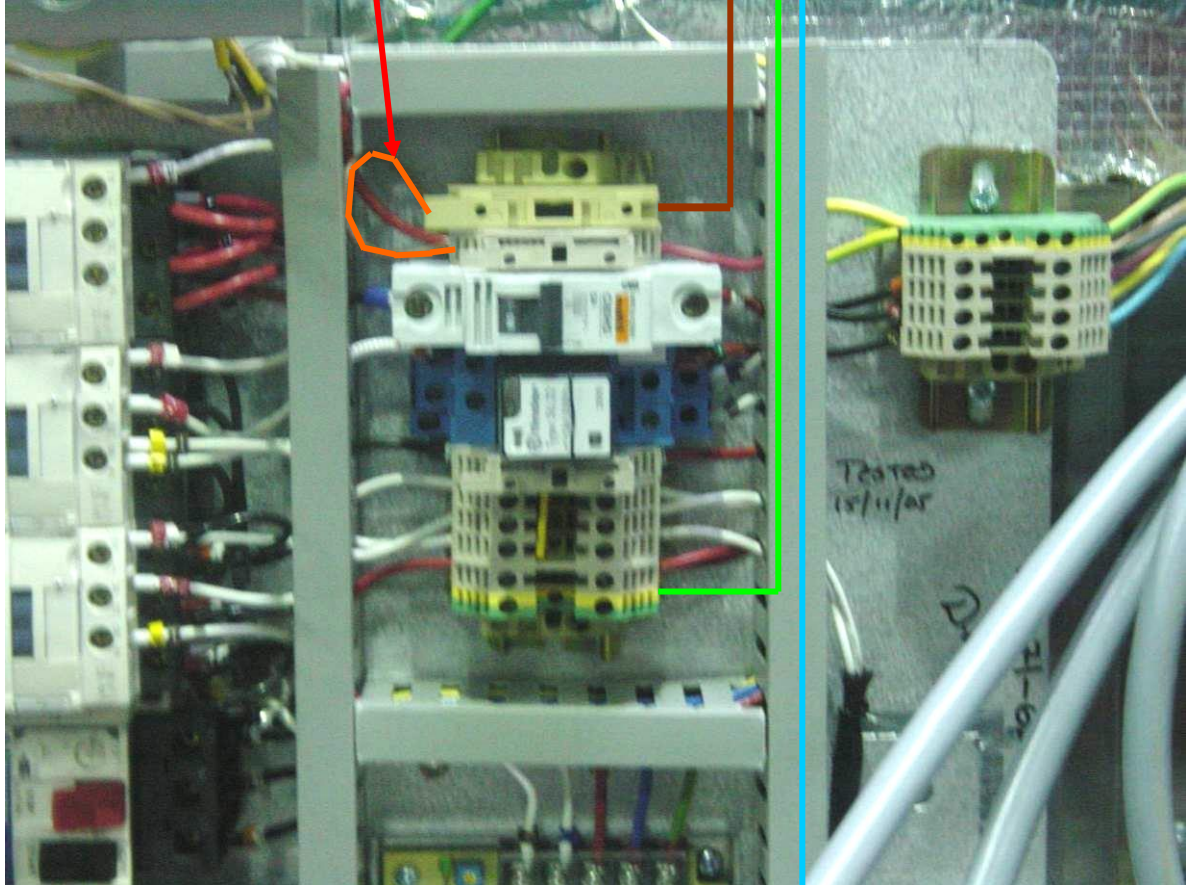
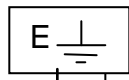
M150-25-10100

# CONDENSER WIRING 4 TRAY OVEN

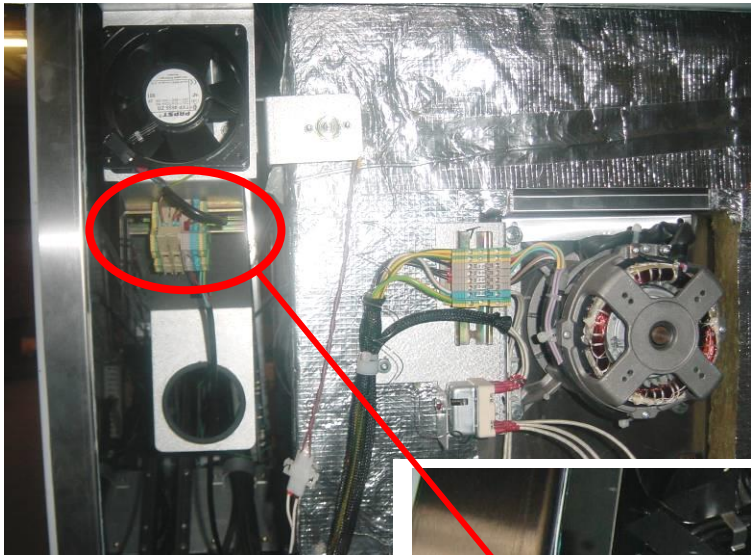
FIT LINK WIRE

L

N



# CONDENSER WIRING 10 TRAY Bx OVEN

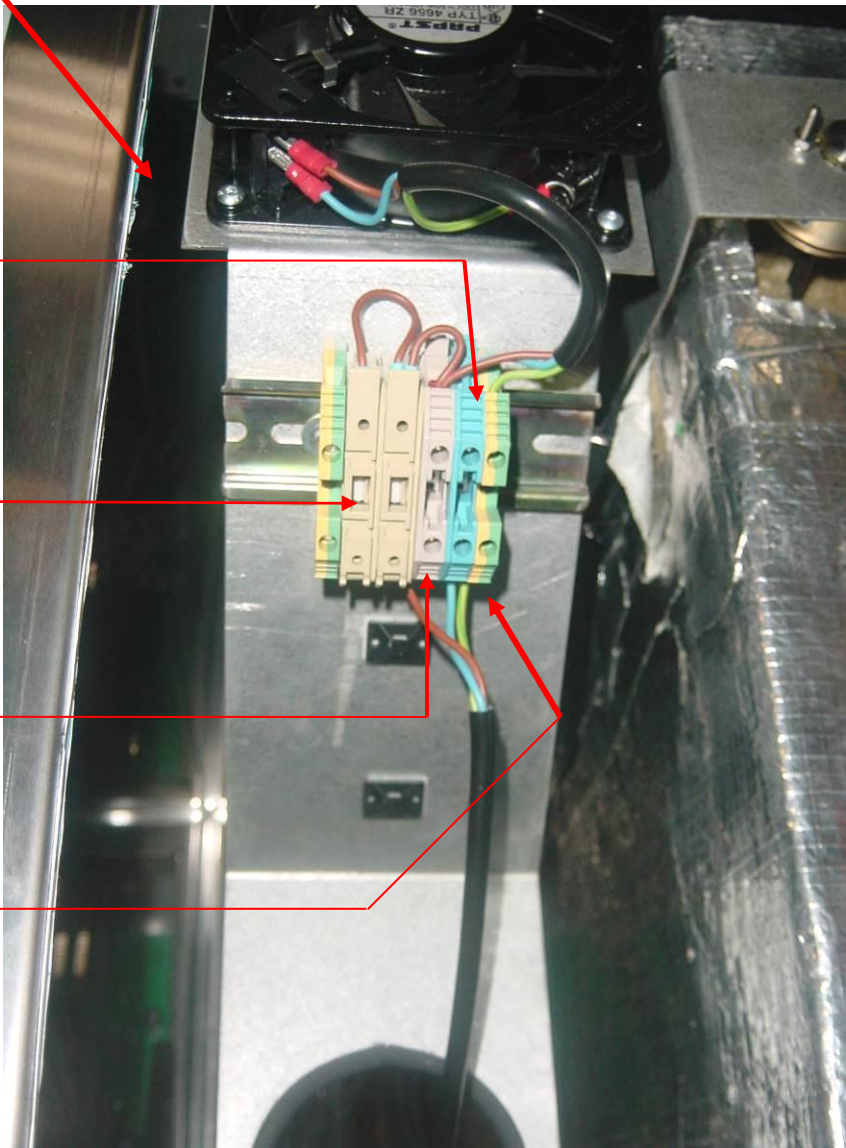


**BLUE**

**1 AMP T FUSE**

**BROWN**

**GREEN/YELLOW**





**MONO Equipment**

Queensway, Swansea West Industrial Park, Swansea, SA5 4EB UK

**Tel. 01792 561234**

Fax. 01792 561016

Email: [mono@monoequip.com](mailto:mono@monoequip.com)

**[www.monoequip.com](http://www.monoequip.com)**

As it is our policy to improve our machines continuously, we reserve the right to change specifications without prior notice.