



www.monoequip.com

Enter **Serial No.** here. _____

In the event of an enquiry please quote this serial number.



ECO-TOUCH

Bx OVEN

ELECTRICAL INFORMATION

**FOR ENGINEERS USE ONLY.
DO NOT ATTEMPT ANY ALTERATIONS.
IF IN DOUBT, CONTACT MONO FOR ADVICE**

SECTION 1

FG149/150

10 TRAY ECO-TOUCH

PAGE 2

M150E25-75100	COMPONENTS
M150E25-03100	CONTROL PANEL LAYOUT
M150E25-71200	PCB CONNECTIONS
M150E25-75200	PCB OUTPUTS
M150E25-51300	LIGHT AND POWER CIRCUIT
M150E25-03200	MOTOR POWER CIRCUIT
M150E25-03300	HEATING POWER CIRCUIT
M150E25-03400	FAN AND ELEMENT WIRING

SECTION 2

FG156

2 TRAY ECO-TOUCH

PAGE 11

M156E25-75000	COMPONENTS
M156E25-11600	CONTROL AND POWER CIRCUIT
M156E25-71200	PCB CONNECTIONS
M156E25-75100	PCB OUTPUTS

SECTION 3

FG153/158/159

4 TRAY ECO-TOUCH

PAGE 16

M159E25-75000	COMPONENTS (159 ONLY)
M159E25-11100	CONTROL CIRCUIT (159 ONLY)
M158E25-75200	COMPONENTS (153/158 ONLY)
M158E25-20700	CONTROL CIRCUIT (153/158 ONLY)
M158E25-71200	PCB CONNECTIONS
M158E25-75300	PCB OUTPUTS
M158E25-01800	POWER CIRCUIT
M158E25-20900	FAN AND ELEMENT WIRING

SECTION 4

FG158 4 TRAY 1 PHASE

PAGE 25

M158E25-75400	COMPONENTS
M158E25-71200	PCB CONNECTIONS
M158E25-20700	CONTROL CIRCUIT
M158E25-75500	PCB OUTPUTS
M158E25-51300	POWER CIRCUIT
M158E25-52200	FAN AND ELEMENT WIRING

FG149/150 ECO-TOUCH 10 TRAY

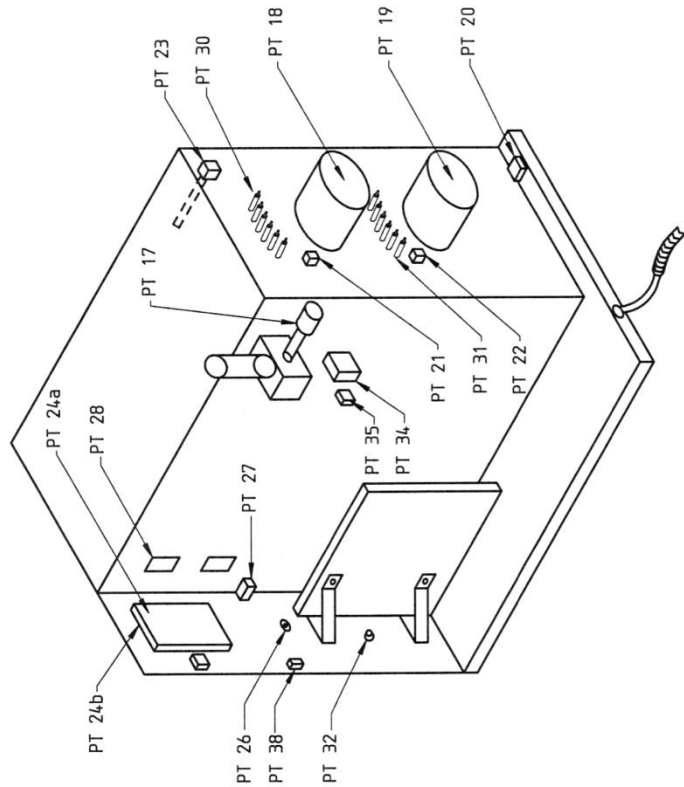
M150E25-75100	COMPONENTS
M150E25-03100	CONTROL PANEL LAYOUT
M150E25-71200	PCB CONNECTIONS
M150E25-75200	PCB OUTPUTS
M150E25-51300	LIGHT AND POWER CIRCUIT
M150E25-03200	MOTOR POWER CIRCUIT
M150E25-03300	HEATING POWER CIRCUIT
M150E25-03400	FAN AND ELEMENT WIRING


SECTION 1

**FOR ENGINEERS USE ONLY.
DO NOT ATTEMPT ANY ALTERATIONS.
IF IN DOUBT, CONTACT MONO FOR ADVICE**

IF IN ANY DOUBT - ASK

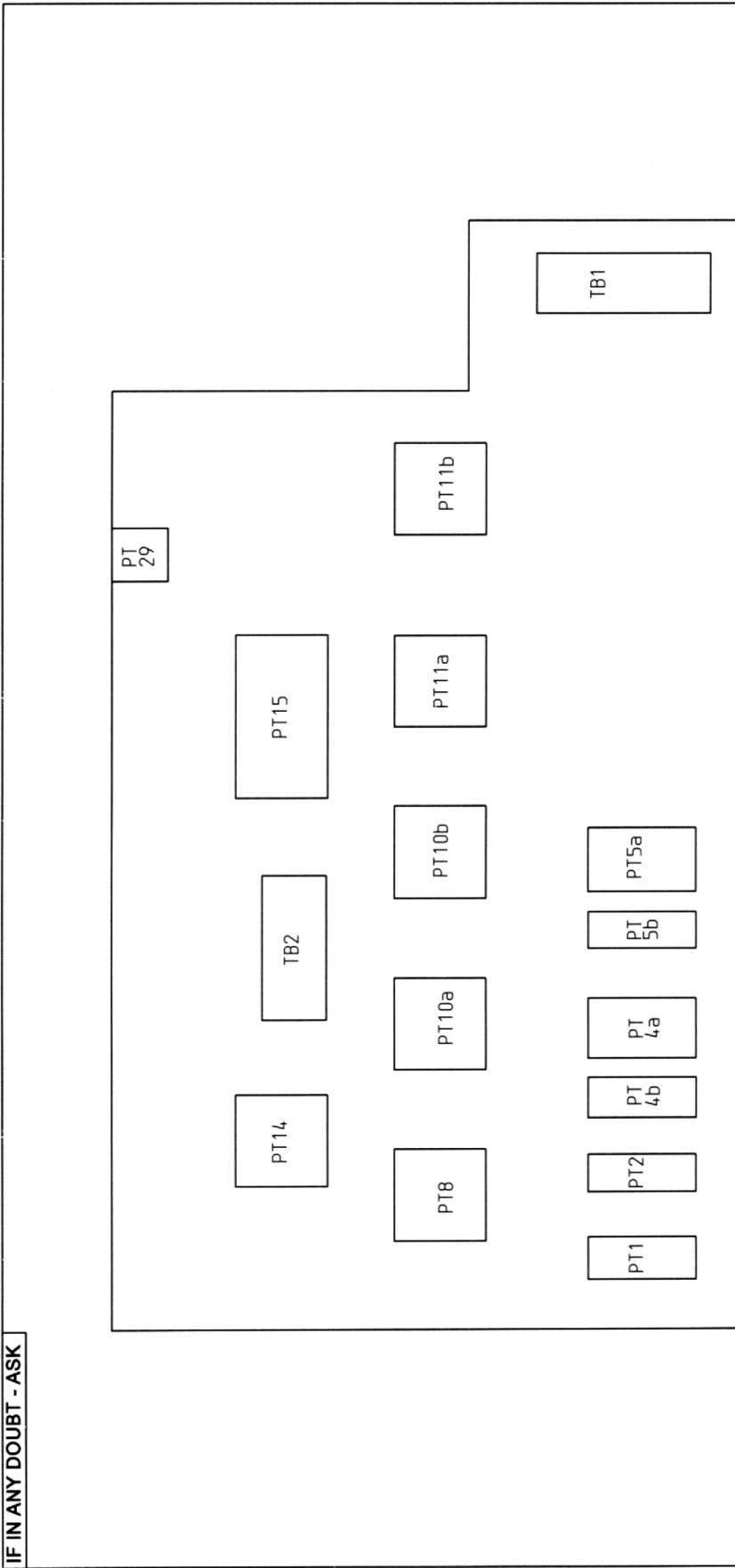
DRAWING	DESCRIPTION	MONO PART NUMBER
PT-Ref		
PT-1	INTERIOR LIGHT M.C.B.	B872-22-063
PT-2	CONTROL CIRCUIT M.C.B.	B872-22-062
PT-4a	FAN MOTOR OVERLOAD UNIT N'1 (TOP)	B801-03-020
PT-4b	FAN MOTOR OVERLOAD N'1 AUXILIARY CONTACT	B801-14-012
PT-5a	FAN MOTOR OVERLOAD UNIT N'2 (BOTTOM)	B801-03-020
PT-5b	FAN MOTOR OVERLOAD N'2 AUXILIARY CONTACT	B801-14-012
PT-8a	INTERIOR LIGHT RELAY	B723-37-004
PT-8b	INTERIOR LIGHT RELAY BASE	B723-36-001
PT-10a	FAN MOTOR CONTACTOR N'1-FORWARD (TOP MOTOR)	B801-08-031
PT-10b	FAN MOTOR CONTACTOR N'1-REVERSE (TOP MOTOR)	B801-08-031
PT-11a	FAN MOTOR CONTACTOR N'2-FORWARD (BTM MOTOR)	B801-18-031
PT-11b	FAN MOTOR CONTACTOR N'2-REVERSE (BTM MOTOR)	B801-18-031
PT-14	24V DC POWER SUPPLY UNIT	B801-93-005
PT-15	HEATING ELEMENT CONTACTOR	B801-08-020
PT-17	{ DAMPER SOLENOID (L/H) DAMPER SOLENOID (R/H)	{ B749-83-003 B749-83-004
PT-18	FAN MOTOR UNIT N'1 (TOP MOTOR)	B720-74-001
PT-19	FAN MOTOR UNIT N'1 (BOTTOM MOTOR)	B720-74-001
PT-20	WATER SOLENOID	150-07-00400
PT-21	OVERHEAT THERMOSTAT N'1 (TOP)	B888-30-014
PT-23	OVEN THERMOCOUPLE	B873-95-002
PT-24a	PCB ASSEMBLY	M158-25-80000
PT-24b		
PT-26	PUSHBUTTON-GREEN-LATCHING	B836-07-004
PT-27	DOOR SWITCH	B842-07-023
PT-28A	INTERIOR LIGHT UNIT	B721-67-011
PT-28B	INTERIOR LIGHT BULB	B857-94-007
PT-29	BUZZER (OPTION)	B723-92-002
8KW ELEMENT OVENS ONLY		
PT-30	HEATING ELEMENT UNIT N'1 (TOP) 240v	B847-04-068
PT-31	HEATING ELEMENT UNIT N'2 (BOTTOM) 240v	B847-04-068
PT-30	HEATING ELEMENT UNIT N'1 (TOP) 220v	B847-04-073
PT-31	HEATING ELEMENT UNIT N'2 (BOTTOM) 220v	B847-04-073
7KW ELEMENT OVENS ONLY		
PT-30	HEATING ELEMENT UNIT N'1 (TOP) 240v	B847-04-067
PT-31	HEATING ELEMENT UNIT N'2 (BOTTOM) 240v	B847-04-067
PT-30	HEATING ELEMENT UNIT N'1 (TOP) 220v	B847-04-074
PT-31	HEATING ELEMENT UNIT N'2 (BOTTOM) 220v	B847-04-074
PT-34	REAR FAN UNIT	B869-75-018
PT-35	REAR FAN UNIT FUSE	B842-85-025
PT-36	AUX POWER OUTLET	B970-06-001
PT-37	AUX POWER OUTLET FUSE	B842-85-039
PT-38	SPEAKER	B842-92-005

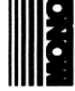


REV	SIG	DATE	REVISION	ECH NO.
			ELECTRICAL COMPONENTS LAYOUT	
			BXC 10 TRAY OVEN	
			ECO/HALOGEN	
 MONO EQUIPMENT QUEENSWAY SWANSEA WEST IND PARK SWANSEA, SA5 4EB. TEL: (01782) 561234 FAX: (01782) 561016			TITLE: ELECTRICAL COMPONENTS LAYOUT BXC 10 TRAY OVEN ECO/HALOGEN	
ELECTRICAL SPECIFICATIONS:- 4.15V 3PH 50Hz			DRAWN: RAC/JC ELECTRICALLY APPROVED BY:-	
DATE: 30/11/09			DRAWING NO. M150E25-75100	
			REV. --	

COPYRIGHT © 1998 - THIS DESIGN/DRAWING IS THE PROPERTY OF MONO EQUIPMENT LTD. AND MUST NOT BE REPRODUCED, COPIED, NOR ITS CONTENTS DIVULGED WITHOUT PRIOR WRITTEN PERMISSION.

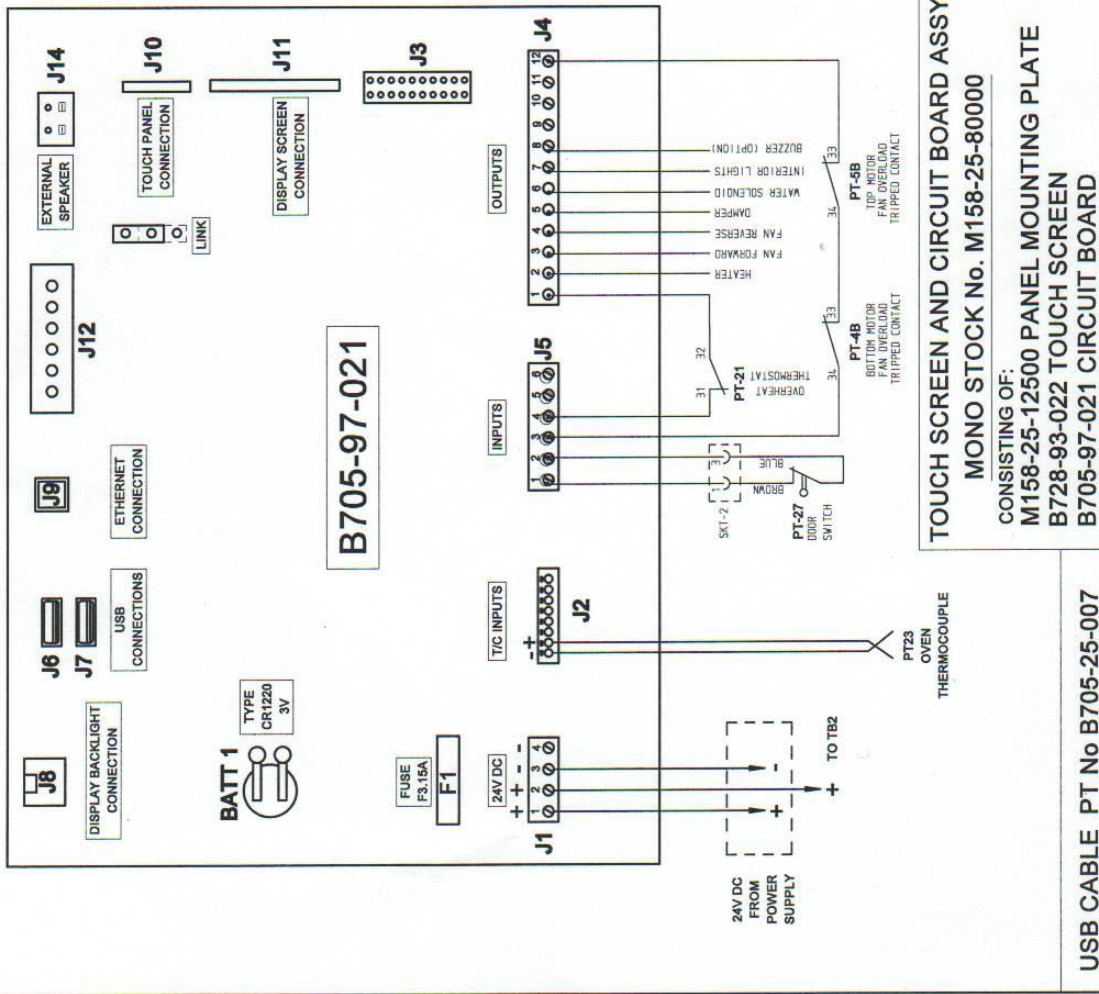
IF IN ANY DOUBT - ASK



REV	SIG	DATE	REVISION	ECN NO.
			COLOURSMART MAIN CONTROL PANEL LAYOUT 10 TRAY OVEN MK II	
 MONO EQUIPMENT QUEENSWAY SWANSEA WEST IND PARK SWANSEA, S4B 4EB. TEL: (01792) 561234 FAX: (01792) 561016			TITLE:	
ELECTRICAL SPECIFICATIONS:-			DRAWN: A.L.W.	
			ELECTRICALLY APPROVED BY:- P. BOYLES	
			DATE: 3/2/00	
			DRAWING NO. M150E25-03100	
			REV: -	

COPYRIGHT © 1998 - THIS DESIGN/DRAWING IS THE PROPERTY OF MONO EQUIPMENT LTD. AND MUST NOT BE REPRODUCED, COPIED, NOR ITS CONTENTS DIVULGED WITHOUT PRIOR WRITTEN PERMISSION.

IF IN ANY DOUBT - ASK

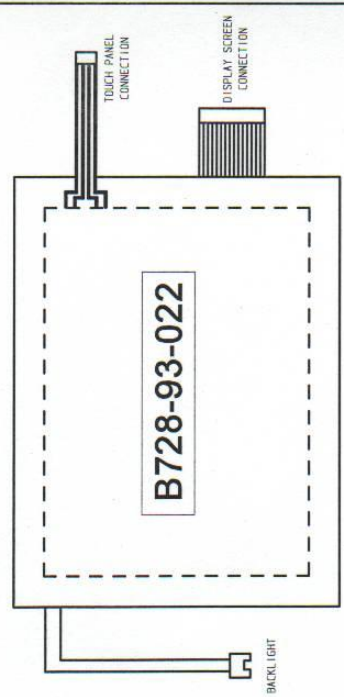


TOUCH SCREEN AND CIRCUIT BOARD ASSY
MONO STOCK No. M158-25-80000
 CONSISTING OF:
 M158-25-12500 PANEL MOUNTING PLATE
 B728-93-022 TOUCH SCREEN
 B705-97-021 CIRCUIT BOARD

USB CABLE PT No B705-25-007

COPYRIGHT © 1998 - THIS DESIGN/DRAWING IS THE PROPERTY OF MONO EQUIPMENT LTD. AND MUST NOT BE REPRODUCED, COPIED, NOR ITS CONTENTS DIVULGED WITHOUT PRIOR WRITTEN PERMISSION.

DISPLAY SCREEN WITH TOUCH PANEL

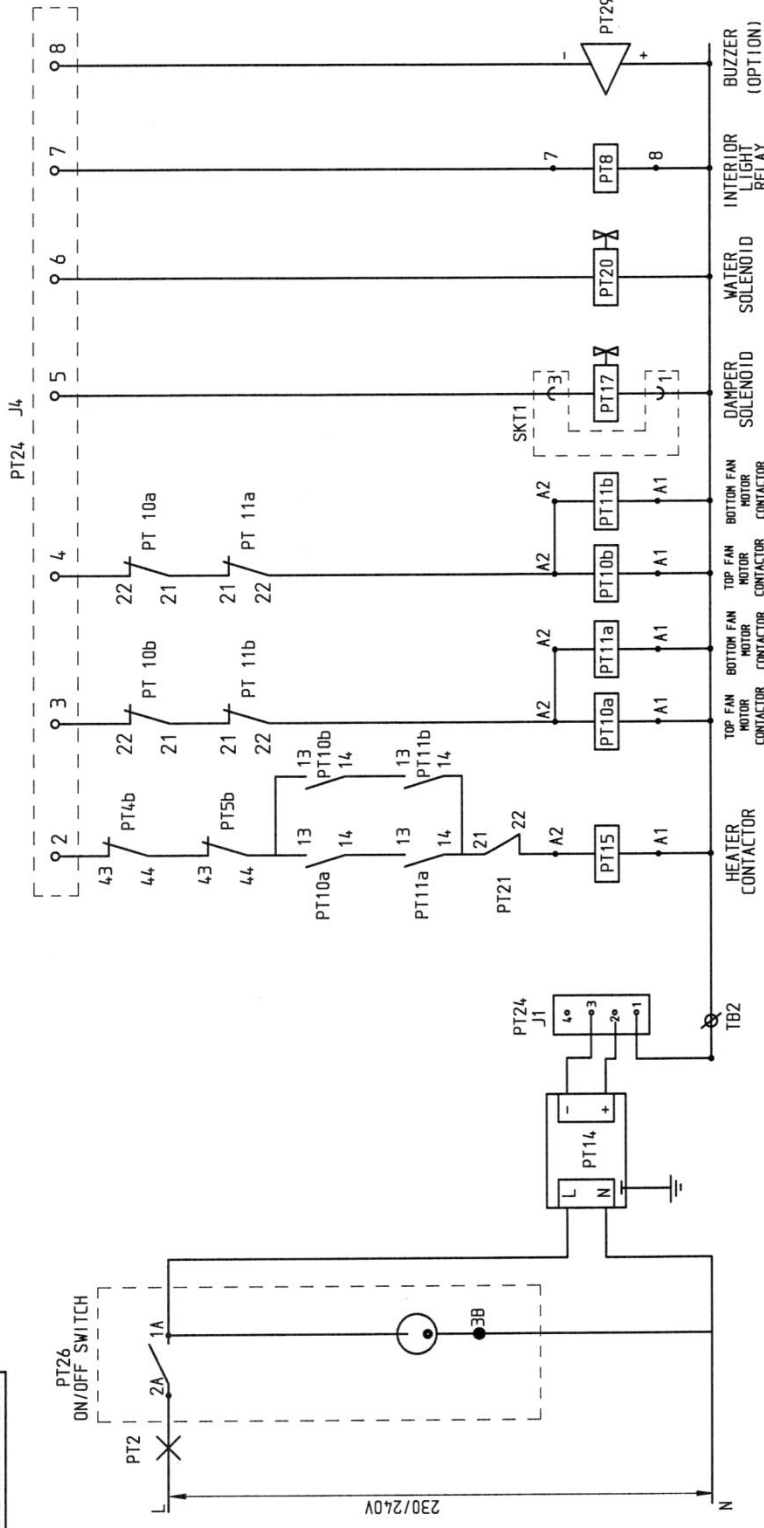


VIEW FROM REAR

B728-93-022

REV	SIG	DATE	REVISION	ECN NO.
MONO EQUIPMENT QUEENSWAY SWANSEA WEST IND PARK SWANSEA, SA5 4EB. TEL: (01792) 581234 FAX: (01792) 581018				
TITLE: ECO TOUCH MAIN PCB/SCREEN LAYOUT (TOUCAN) 10 TRAY			DRAWN: RAC	
ELECTRICAL SPECIFICATIONS:-			ELECTRICALLY APPROVED BY:- AT	
DATE: 19/11/09			DRAWING NO. M150E25-71200	
REV: ---			REV: ---	

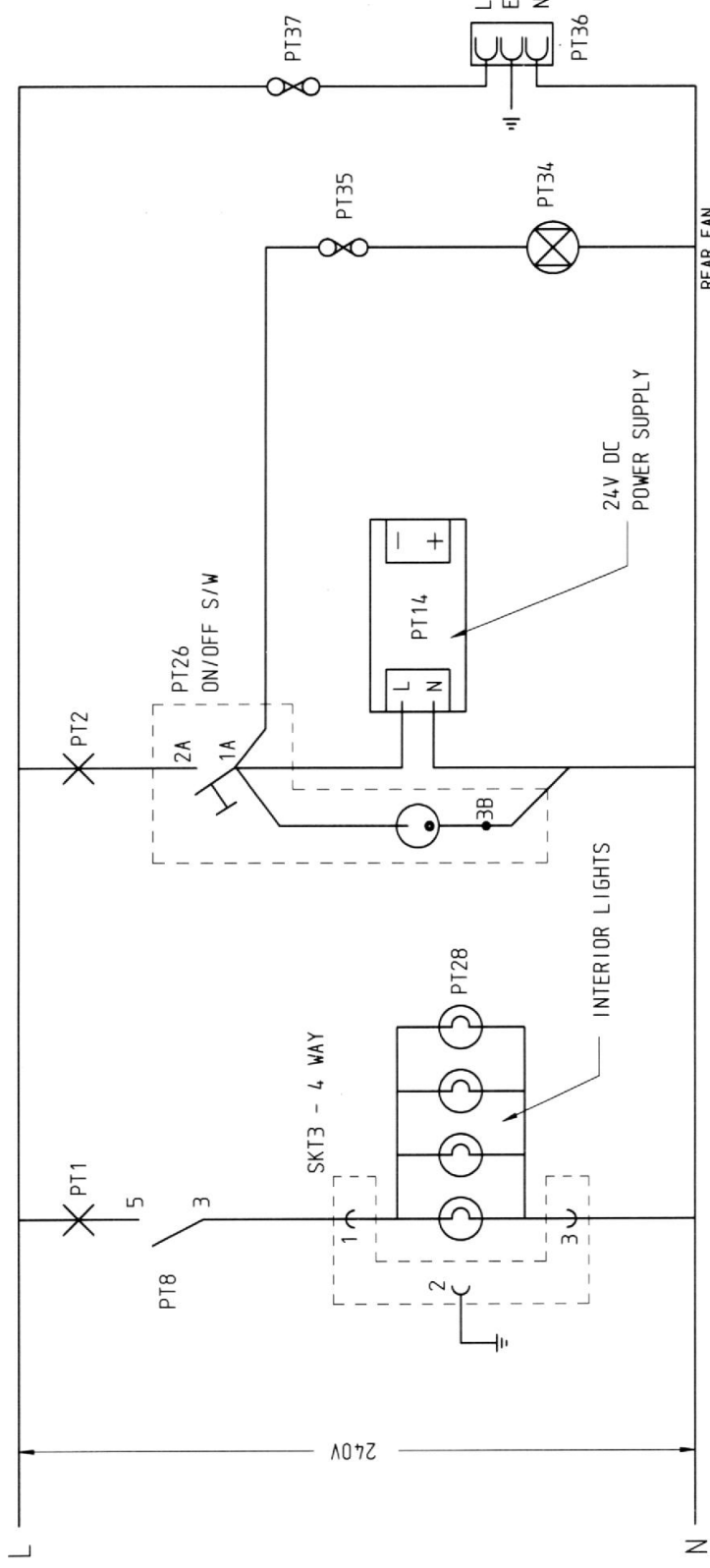
IF IN ANY DOUBT - ASK



REV	SIG	DATE	REVISION	ECN NO.
<p>MONO EQUIPMENT SUDBURY SWANSEA WEST IND PARK SWANSEA, SA5 4EB. TEL: (01792) 861234 FAX: (01792) 861016</p>				
<p>TITLE: BXC 10 TRAY mk3 OVEN P.C.B. OUTPUTS</p>				
<p>ELECTRICAL SPECIFICATIONS:- 415V 3 PHASE 50HZ</p>				
<p>DRAWN: JC/RAC</p>				
<p>ELECTRICALLY APPROVED BY:-</p>				
<p>DATE: 30-11-09</p>				
<p>DRAWING NO. M150E25-75200</p>				
<p>REV: --</p>				

COPYRIGHT © 1998 - THIS DESIGN/DRAWING IS THE PROPERTY OF MONO EQUIPMENT LTD. AND MUST NOT BE REPRODUCED, COPIED, NOR ITS CONTENTS DIVULGED WITHOUT PRIOR WRITTEN PERMISSION.

IF IN ANY DOUBT - ASK



REV	SIG	DATE	REVISION	ECN NO.
D	RAC	22-2-07	PT36 & PT37 ADDED	2946
C	JC	22-11-04	PT-26a-d WAS B801-**-*(SEE LIST)	2329
B	JC	25-9-03	SWITCH (PT-26) CHANGED	2057
A	JC	14-2-03	EXISTING SMALL FAN DELETED (IN CONJUNCTION WITH ECN 1925)	1927

MONO EQUIPMENT
 QUEENSWAY
 SWANSEA WEST IND PARK
 SWANSEA,
 SA5 4EB.
 TEL: (01792) 561234
 FAX: (01792) 561016

ELECTRICAL SPECIFICATIONS:-

TITLE: BXC 10 TRAY OVEN
 INTERIOR LIGHT & POWER
 SUPPLY CIRCUIT

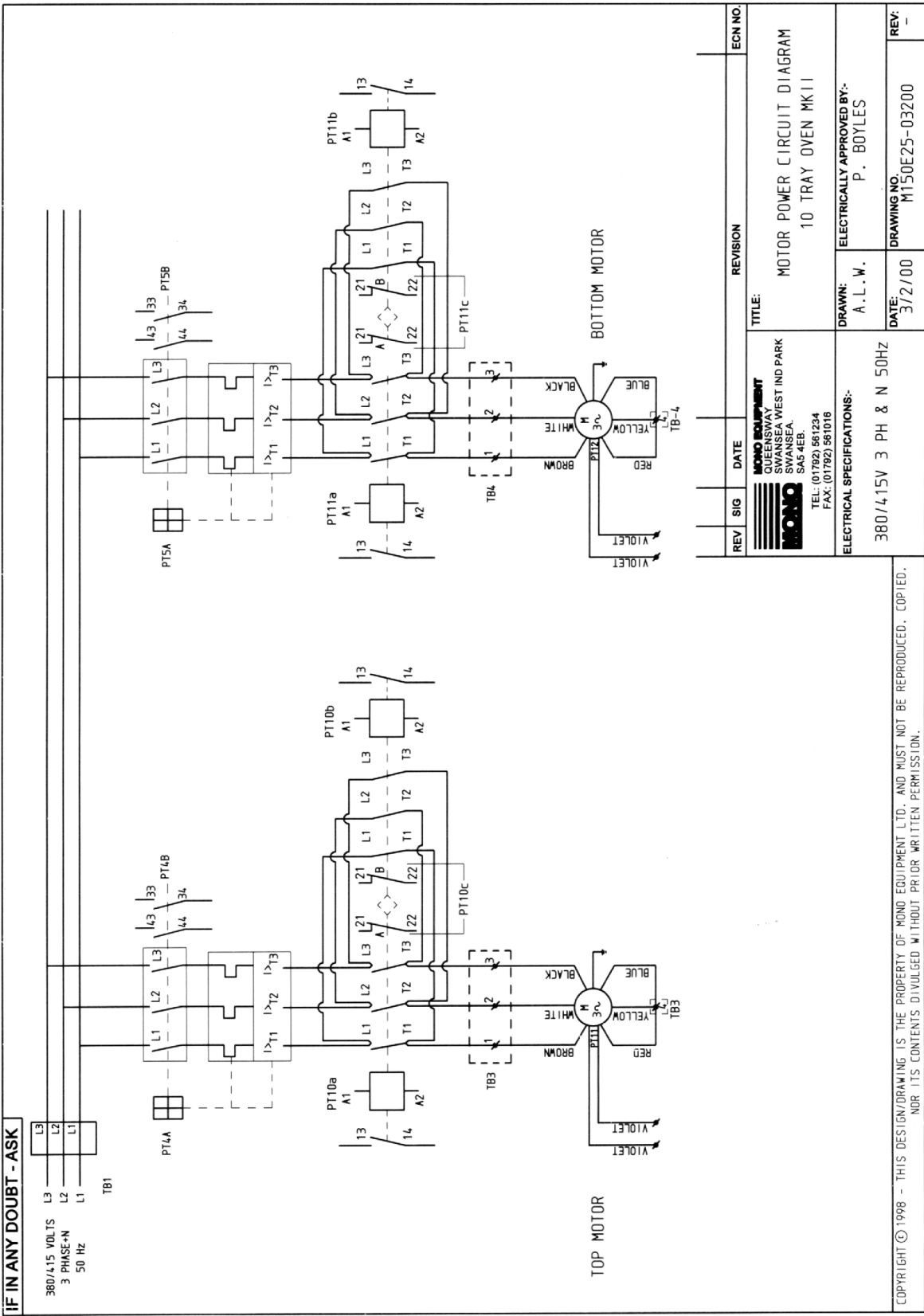
DRAWN: JGJ/JC
ELECTRICALLY APPROVED BY:
 P. BOYLES

DATE: 9-11-01
DRAWING NO.: M150E25-51300
REV: D

COPYRIGHT © 1998 - THIS DESIGN/DRAWING IS THE PROPERTY OF MONO EQUIPMENT LTD. AND MUST NOT BE REPRODUCED, COPIED, NOR ITS CONTENTS DIVULGED WITHOUT PRIOR WRITTEN PERMISSION.

IF IN ANY DOUBT - ASK

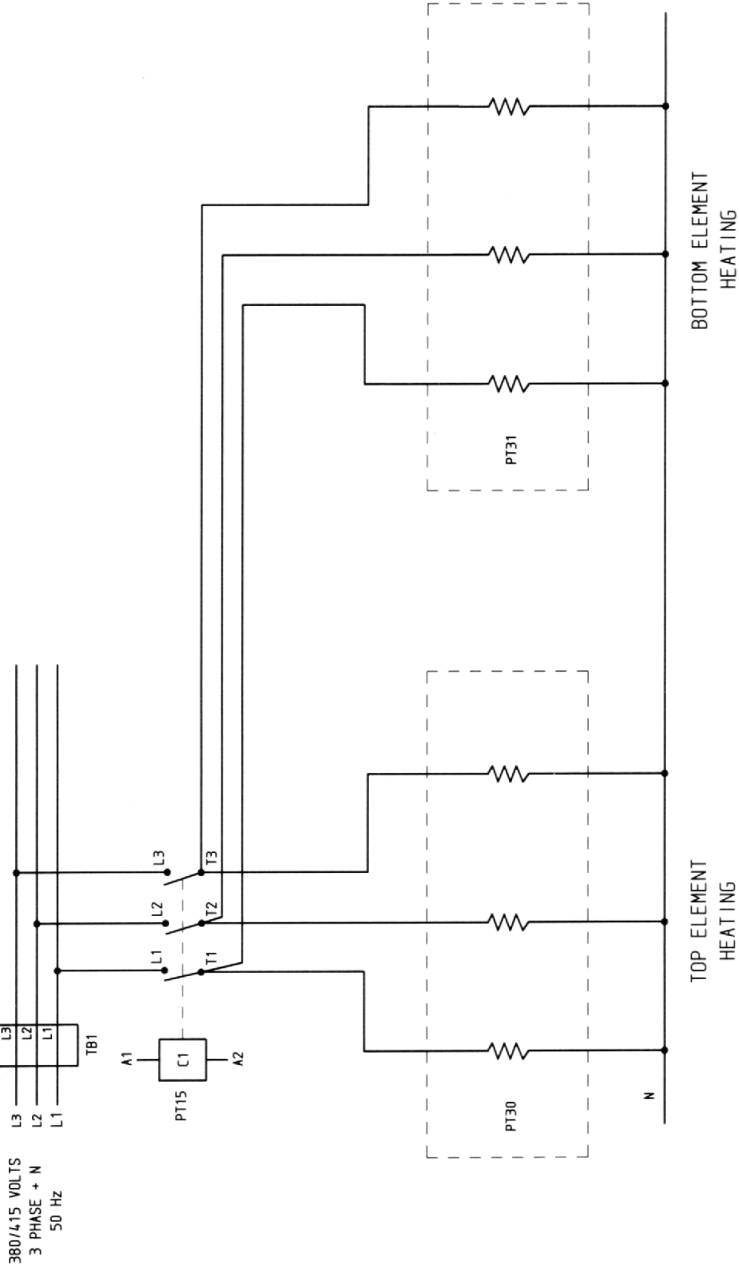
380/415 VOLTS
3 PHASE+N
50 Hz




REV	SIG	DATE	REVISION	ECN NO.
<p>MONO EQUIPMENT QUEENSWAY SWANSEA WEST IND PARK SWANSEA, SA5 4EB. TEL: (01782) 561234 FAX: (01782) 561016</p>				
<p>TITLE: MOTOR POWER CIRCUIT DIAGRAM 10 TRAY OVEN MK11</p>				
<p>ELECTRICAL SPECIFICATIONS:- 380/415V 3 PH & N 50HZ</p>				
<p>DRAWN: A.L.W.</p>				
<p>ELECTRICALLY APPROVED BY:- P. BOYLES</p>				
<p>DRAWING NO: M150E25-03200</p>				
<p>DATE: 3/2/00</p>				
<p>REV: -</p>				

COPYRIGHT © 1998 - THIS DESIGN/DRAWING IS THE PROPERTY OF MONO EQUIPMENT LTD. AND MUST NOT BE REPRODUCED, COPIED, NDR ITS CONTENTS DIVULGED WITHOUT PRIOR WRITTEN PERMISSION.

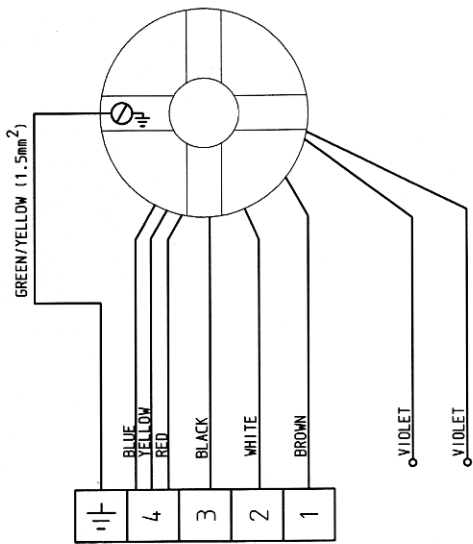
IF IN ANY DOUBT - ASK



REV	SIG	DATE	REVISION	ECN NO.
A		22-2-07	PT21 & PT22 0/HEAT THERMOSTATS REMOVED	2946
 MONO EQUIPMENT QUEENSWAY GUELDFORD WEST IND PARK SWANSEA SA5 4EB. TEL: (01792) 561234 FAX: (01792) 561016				
ELECTRICAL SPECIFICATIONS:-			TITLE:	
380/415V 3 PHASE+N 50HZ			HEATING POWER CIRCUIT DIAGRAM 10 TRAY OVEN MK II	
DRAWN:			ELECTRICALLY APPROVED BY:-	
A.L.W.			P. BOYLES	
DATE:			DRAWING NO.	
3/2/00			M150E25-03300	
REV:			A	

COPYRIGHT © 1998 - THIS DESIGN/DRAWING IS THE PROPERTY OF MONO EQUIPMENT LTD. AND MUST NOT BE REPRODUCED, COPIED, OR ITS CONTENTS DIVULGED WITHOUT PRIOR WRITTEN PERMISSION.

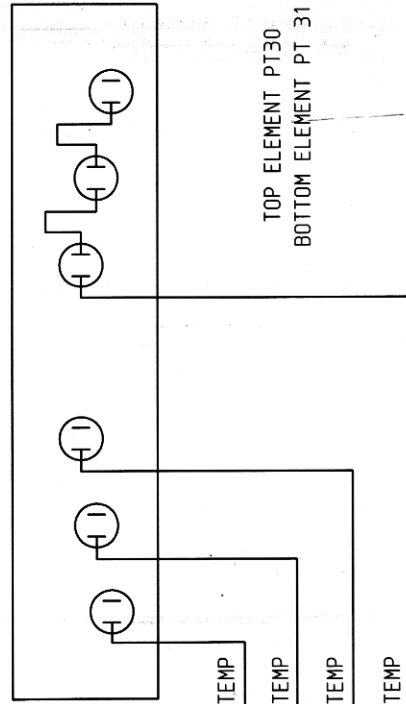
IF IN ANY DOUBT - ASK



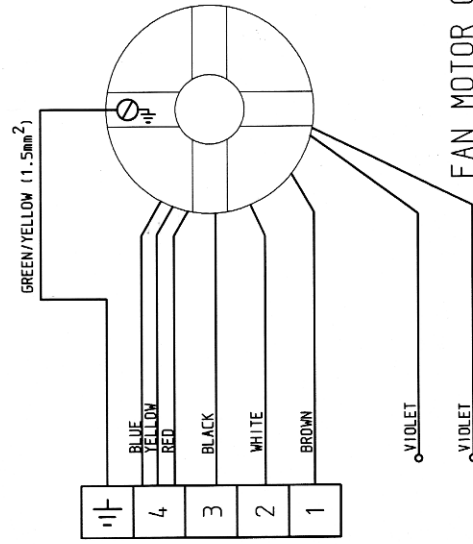
TOP MOTOR PT 18

- L1 1.5 mm² PTEMP
- L2 1.5 mm² PTEMP
- L3 1.5 mm² PTEMP
- N 1.5 mm² PTEMP

TOP ELEMENT PT30
BOTTOM ELEMENT PT 31



HEATING ELEMENT WIRING



BOTTOM MOTOR PT 19

FAN MOTOR CONNECTIONS

(MOTORS DID RUN OPPOSITE DIRECTIONS ON EARLY MODELS)
 COPYRIGHT © 1998 - THIS DESIGN/DRAWING IS THE PROPERTY OF MONO EQUIPMENT LTD. AND MUST NOT BE REPRODUCED, COPIED,
 NOR ITS CONTENTS DIVULGED WITHOUT PRIOR WRITTEN PERMISSION.

REV	SIG	DATE	REVISION	ECN NO.
			FAN MOTOR CONNECTIONS & HEATING ELEMENT WIRING 10 TRAY OVEN	
MONO EQUIPMENT QUEENSWAY SWANSEA WEST IND PARK SWANSEA, SA9 4EB. TEL: (01792) 561234 FAX: (01792) 561016			TITLE:	
ELECTRICAL SPECIFICATIONS:- 380/415V 3PH+N 50HZ			DRAWN: A.L.W.	
			ELECTRICALLY APPROVED BY:- P. BOYLES	
			DATE: 3/2/00	
			DRAWING NO. M150E25-034.00	
			REV. -	

FG156

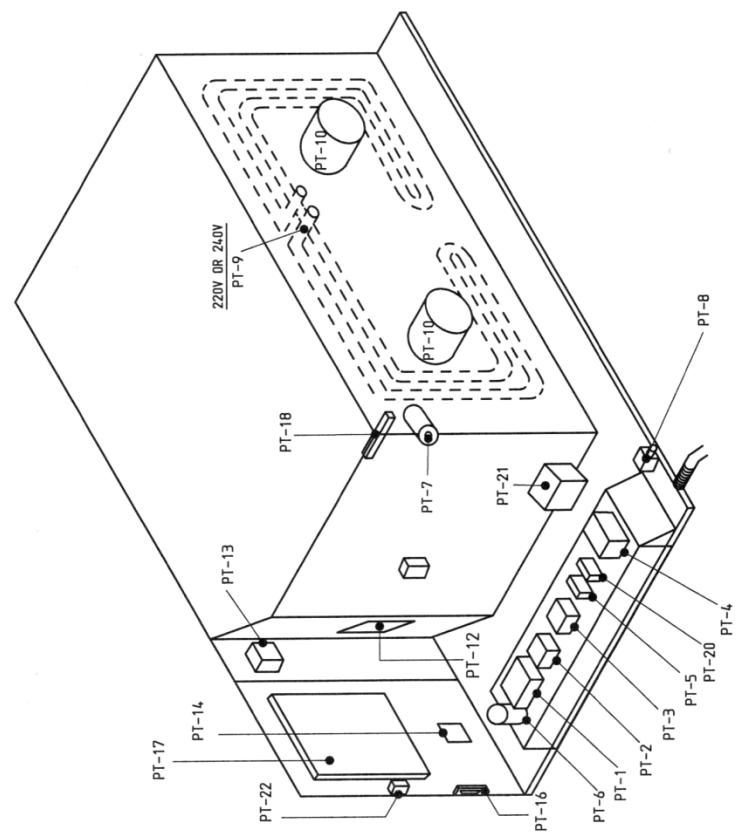
2 TRAY

M156E25-75000	COMPONENTS
M156E25-11600	CONTROL AND POWER CIRCUIT
M156E25-71200	PCB CONNECTIONS
M156E25-75100	PCB OUTPUTS


**FOR ENGINEERS USE ONLY.
DO NOT ATTEMPT ANY ALTERATIONS.
IF IN DOUBT, CONTACT MONO FOR ADVICE**

SECTION 2

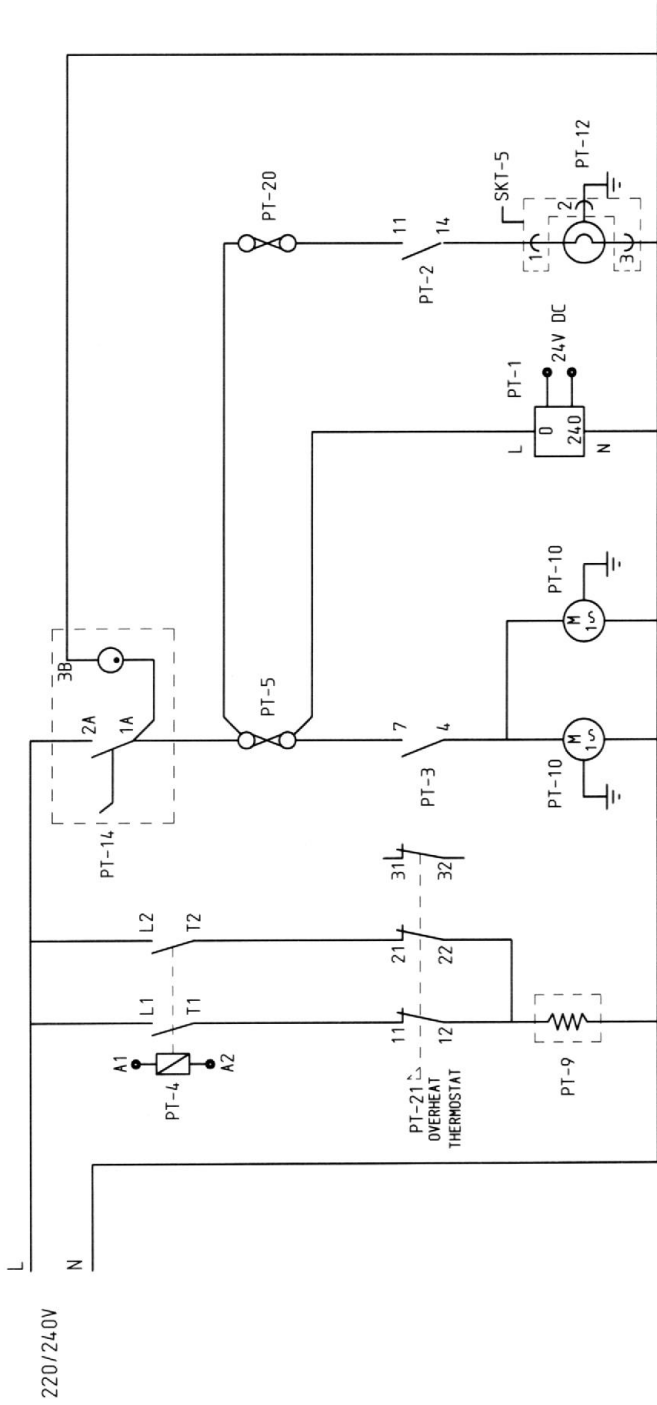
IF IN ANY DOUBT - ASK



<u>DRAWING</u>	<u>DESCRIPTION</u>	<u>MONO</u>
<u>PT-Ref</u>		<u>PART NUMBER</u>
PT-1	24V DC POWER SUPPLY	8801-93-005
PT-2	INTERNAL LIGHT RELAY	8723-37-001
PT-3	FAN MOTOR RELAY	8723-37-002
PT-4	HEATING ELEMENT CONTACTOR	8801-08-021
PT-5	CONTROL FUSE	3842-85-039
PT-6	BUZZER (OPTION)	8982-92-001
PT-7	DAMPER SOLENOID	8749-83-003
PT-8	2T WATER INLET ASSY	156-37-00400
* PT-9	(220V) HEATING ELEMENT	8847-04-053
* PT-9	(240V) HEATING ELEMENT	8847-04-049
PT-10	FAN MOTOR	8869-75-016
PT-12a	INTERIOR LIGHT UNIT	8721-67-011
PT-12b	INTERIOR LIGHT BULB	8857-94-007
PT-13	DOOR SWITCH	8842-07-023
PT-14	ON/OFF SWITCH	8836-07-004
PT-15	DATA LINK SOCKET LEAD	8836-07-004
PT-16	PCB ASSEMBLY	8705-25-005
PT-17a	OVEN THERMOCOUPLE	M158-25-15500
PT-18	INTERIOR LIGHT FUSE	8842-85-002
PT-20	OVERHEAT THERMOSTAT	8888-30-014
PT-21		
PT-22	SPEAKER	8842-92-005

REV	SIG	DATE	REVISION	ECN NO.
			ELECTRICAL COMPONENTS LAYOUT	
			2 TRAY 1 PHASE COLOUR	
 MONO EQUIPMENT QUEENSWAY SWANSEA WEST IND PARK SWANSEA, SA5 4EB. TEL: (01782) 561234 FAX: (01782) 581016			TITLE: ELECTRICAL COMPONENTS LAYOUT 2 TRAY 1 PHASE COLOUR	
ELECTRICAL SPECIFICATIONS:- 220/240V 1 PHASE			ECO/HALOGEN DRAWN: JC/RAC ELECTRICALLY APPROVED BY:-	
COPYRIGHT © 1998 - THIS DESIGN/DRAWING IS THE PROPERTY OF MONO EQUIPMENT LTD. AND MUST NOT BE REPRODUCED, COPIED, NOR ITS CONTENTS DIVULGED WITHOUT PRIOR WRITTEN PERMISSION.			DATE: 30-11-09 DRAWING NO: M156E25-75000 REV: --	

IF IN ANY DOUBT - ASK



REV	SIG	DATE	REVISION	ECN NO.
B	JC	29-9-03	PT14 WIRED IN CONJUNCTION WITH ECN 2055-2057	2058
A	ALW	8-11-96	SKT-5 ADDED	01/52

MONO EQUIPMENT
 QUEENSWAY
 100 WILSON WEST IND PARK
 SWANSEA,
 SA5 4EB,
 TEL: (01792) 561234
 FAX: (01792) 561016

TITLE:
 CONTROL & POWER CIRCUIT DIAGRAM
 FOR 220/240V 1 PHASE 2 TRAY

ELECTRICAL SPECIFICATIONS:-
 220/240V
 1 PHASE

DRAWN:
 A.L.W.

ELECTRICALLY APPROVED BY:-
 P. BOYLES

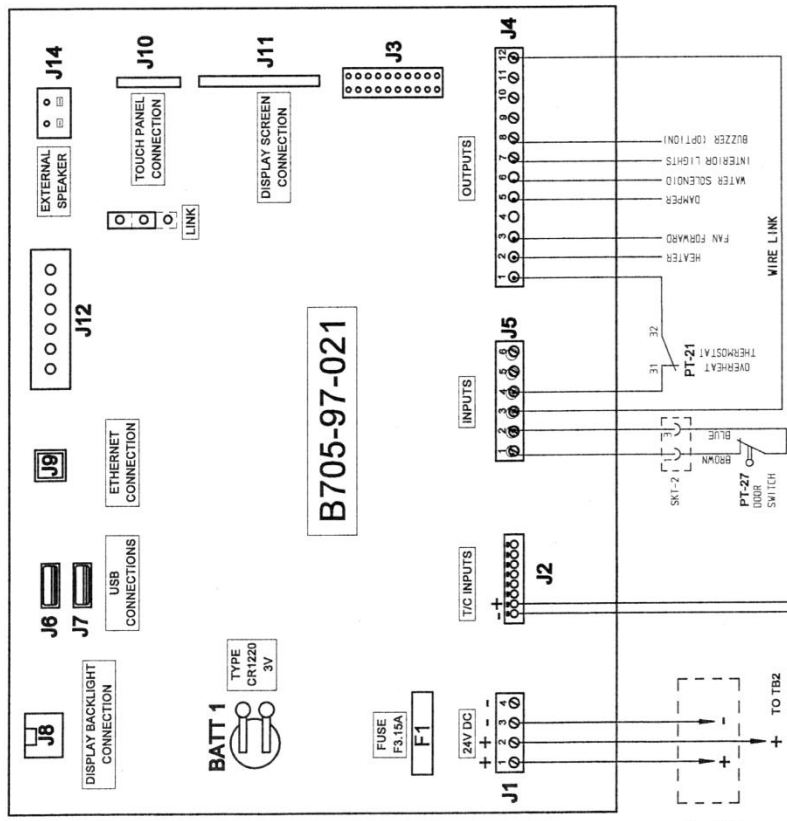
DATE:
 12-6-96

DRAWING NO:
 M156E25-11600

REV:
 B

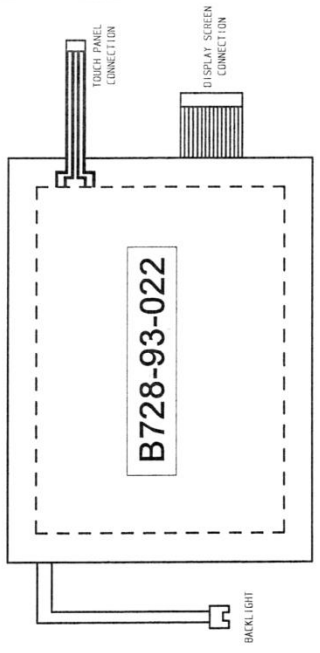
COPYRIGHT © 1998 - THIS DESIGN/DRAWING IS THE PROPERTY OF MONO EQUIPMENT LTD. AND MUST NOT BE REPRODUCED, COPIED, NOR ITS CONTENTS DIVULGED WITHOUT PRIOR WRITTEN PERMISSION.

IF IN ANY DOUBT - ASK



B705-97-021

DISPLAY SCREEN WITH TOUCH PANEL



VIEW FROM REAR

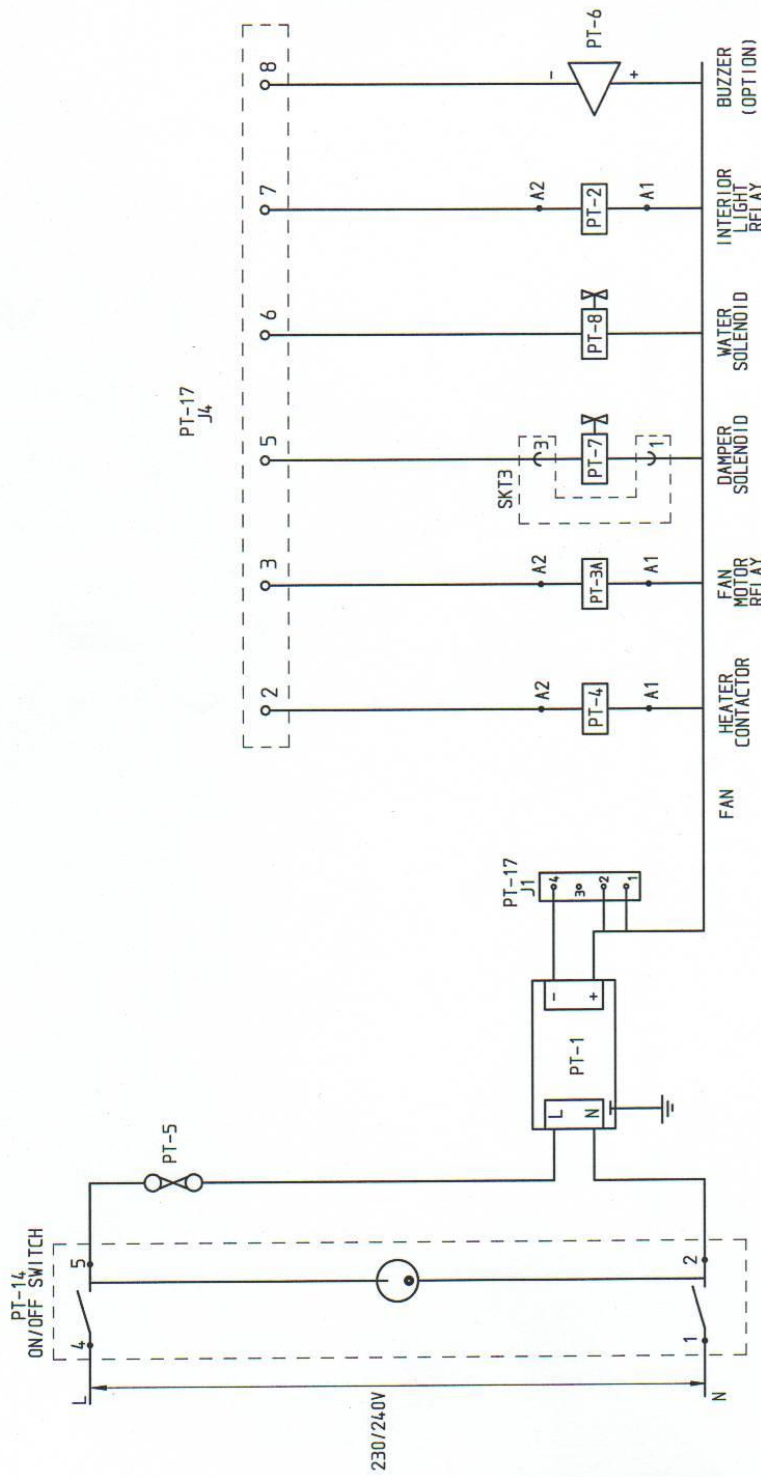
REV	SIG	DATE	REVISION	ECN NO.
<p>MONO EQUIPMENT QUEENSWAY SWANSEA WEST IND PARK SWANSEA, SAS 4EB. TEL: (01792) 561234 FAX: (01792) 561016</p>				
<p>TITLE: ECO TOUCH MAIN PCB/SCREEN LAYOUT (TOUCAN) 2 TRAY</p>			<p>DRAWN: RAC AT</p>	
<p>ELECTRICAL SPECIFICATIONS:-</p>			<p>DATE: 19/11/09 DRAWING NO. M156E25-71200</p>	
<p>REV: ---</p>			<p>REV: ---</p>	

TOUCH SCREEN AND CIRCUIT BOARD ASSY
 MONO STOCK No. M158-25-80000
 CONSISTING OF:
 M158-25-12500 PANEL MOUNTING PLATE
 B728-93-022 TOUCH SCREEN
 B705-97-021 CIRCUIT BOARD

USB CABLE PT No B705-25-007

COPYRIGHT © 1998 - THIS DESIGN/DRAWING IS THE PROPERTY OF MONO EQUIPMENT LTD. AND MUST NOT BE REPRODUCED, COPIED, NOR ITS CONTENTS DIVULGED WITHOUT PRIOR WRITTEN PERMISSION.

IF IN ANY DOUBT - ASK



REV	SIG	DATE	REVISION	ECN NO.
<p>MONO EQUIPMENT QUEENSWAY SWANSEA WEST IND PARK SWANSEA, SA5 4EB. TEL: (01782) 561234 FAX: (01782) 561016</p>				
<p>TITLE: P.C.B. OUTPUTS 2 TRAY COLOUR TWO-WAY FAN ECO/HALOGEN</p>				
<p>DRAWN: RAC ELECTRICALLY APPROVED BY:- AT</p>				
<p>DATE: 30-11-09 DRAWING NO. M156E25-75100</p>				
<p>REV: --</p>				

COPYRIGHT © 1998 - THIS DESIGN/DRAWING IS THE PROPERTY OF MONO EQUIPMENT LTD. AND MUST NOT BE REPRODUCED, COPIED, NOR ITS CONTENTS DIVULGED WITHOUT PRIOR WRITTEN PERMISSION.

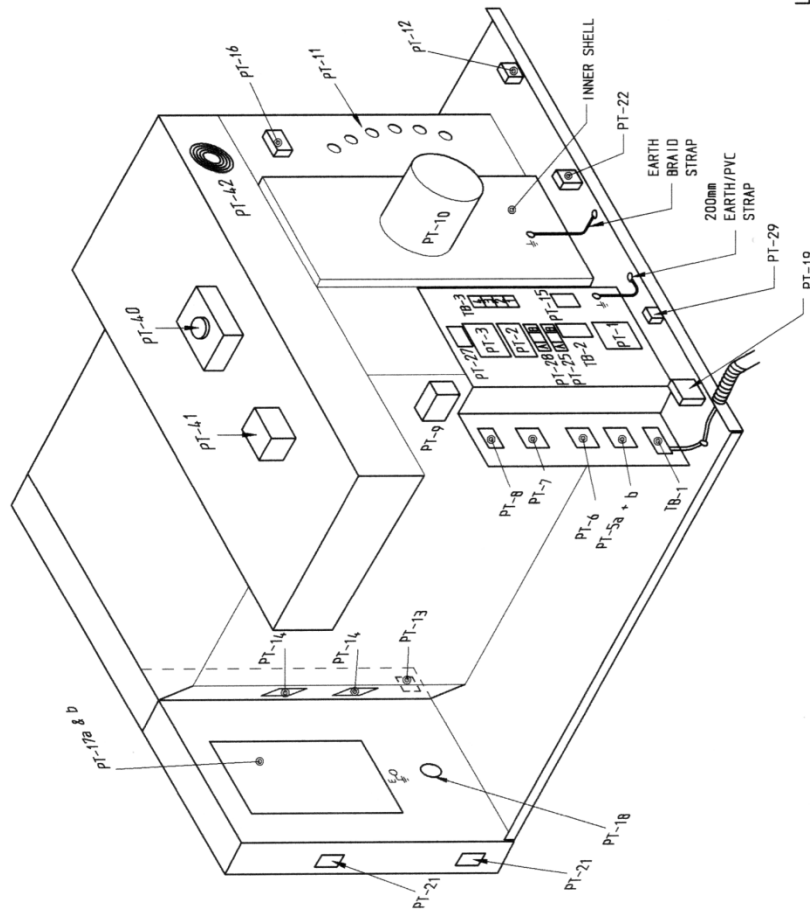
FG153/158/159 ECO-TOUCH 4 TRAY

M159E25-75000	COMPONENTS (159 ONLY)
M159E25-11100	CONTROL CIRCUIT (159 ONLY)
M158E25-75200	COMPONENTS (153/158 ONLY)
M158E25-20700	CONTROL CIRCUIT (153/158 ONLY)
M158E25-71200	PCB CONNECTIONS
M158E25-75300	PCB OUTPUTS
M158E25-01800	POWER CIRCUIT
M158E25-20900	FAN AND ELEMENT WIRING

FOR ENGINEERS USE ONLY.
DO NOT ATTEMPT ANY ALTERATIONS.
IF IN DOUBT, CONTACT MONO FOR ADVICE

SECTION 3

IF IN ANY DOUBT - ASK



CONDENSER UNIT IF FITTED
 PT-40 THERMOSTAT
 PT-41 WATER SOLENOID
 PT-42 FAN

DRAWING PT-Ref	DESCRIPTION	MONO PART NUMBER
PT-1	24V DC POWER SUPPLY UNIT	8801-93-005
PT-2a	INTERIOR LIGHT RELAY	8723-37-004
PT-2b	INTERIOR LIGHT RELAY BASE	8723-36-001
PT-3	CONTROL CIRCUIT M.C.B.	8872-22-062
PT-5a	FAN MOTOR OVERLOAD UNIT	8801-03-020
PT-6	FAN MOTOR FORWARD AUXILIARY CONTACT	8801-14-012
PT-7	FAN MOTOR REVERSE CONTACTOR	8801-08-031
PT-8	HEATING ELEMENT CONTACTOR	8801-08-021
PT-9	DAMPER SOLENOID (L/H)	8749-83-003
PT-10	FAN MOTOR UNIT	8720-74-001
PT-11	HEATING ELEMENT (240v)	8842-30-003
PT-12	HEATING ELEMENT (220v)	8867-83-011
PT-13	DOOR SWITCH	8842-30-003
PT-14a	INTERIOR LIGHT UNIT	158-17-00400
PT-14b	INTERIOR LIGHT BULB	8842-07-023
PT-15	BUZZER (OPTION)	8721-67-011
PT-17a	THERMOCOUPLE	8857-94-007
PT-17b	PCB ASSEMBLY	8723-92-002
PT-18	PUSHBUTTON - GREEN	8873-95-002
PT-19	REAR COOLING FAN	M158-25-15500
PT-21	USB SOCKET-CABLE	8836-07-004
PT-22	OVERHEAT THERMOSTAT	8869-75-018
PT-25	INTERNAL LIGHT FUSE	8705-25-001
PT-27	FAN FUSE	8888-30-014
PT-28	AUX FUSE	8842-85-042
PT-29	AUX SUPPLY SOCKET	8842-85-025
PT-30	SPEAKER	8842-85-039

CONDENSER UNIT IF FITTED

PT-40	THERMOSTAT	8842-30-003
PT-41	WATER SOLENOID	8867-83-011
PT-42	FAN	8842-75-003

REV	SIG	DATE	REVISION	ECN NO.
A	JC	22-1-03	PT-27 AND WIRING FOR REAR FAN UNIT ADDED	1927

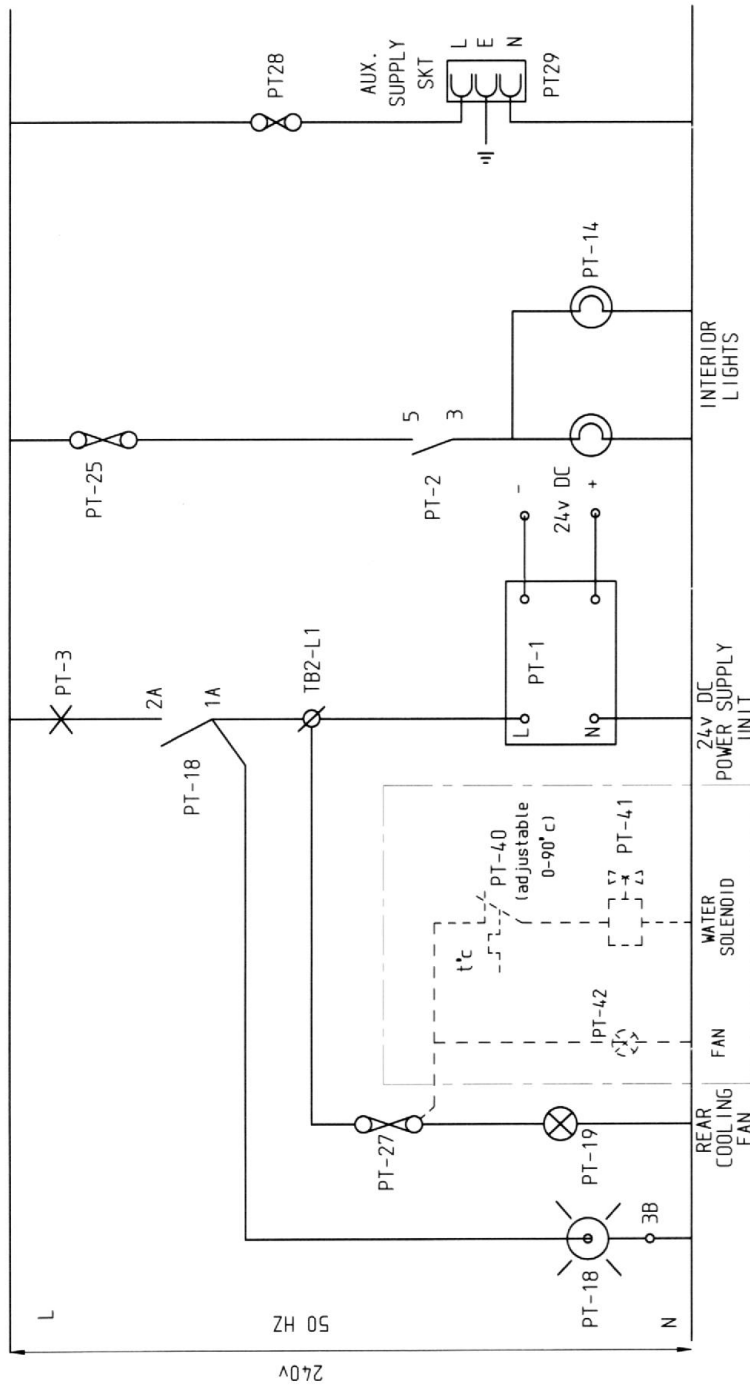
MONO EQUIPMENT
 SWANSEA WEST IND PARK
 SWANSEA,
 SA5 4EB.
 TEL: (01792) 561234
 FAX: (01792) 561016

TITLE: ELECTRICAL COMPONENTS LAYOUT
 BXC 4-318 OVEN
 ECO/HALOGEN
 DRAWN: ELECTRICALLY APPROVED BY:-
 JC/RAC
 DATE: 1-12-09
 DRAWING NO. M159E25-75000
 REV: --

ELECTRICAL SPECIFICATIONS:-
 380/415V 3PH 50HZ

COPYRIGHT © 1998 - THIS DESIGN/DRAWING IS THE PROPERTY OF MONO EQUIPMENT LTD. AND MUST NOT BE REPRODUCED, COPIED, NOR ITS CONTENTS DIVULGED WITHOUT PRIOR WRITTEN PERMISSION.

IF IN ANY DOUBT - ASK

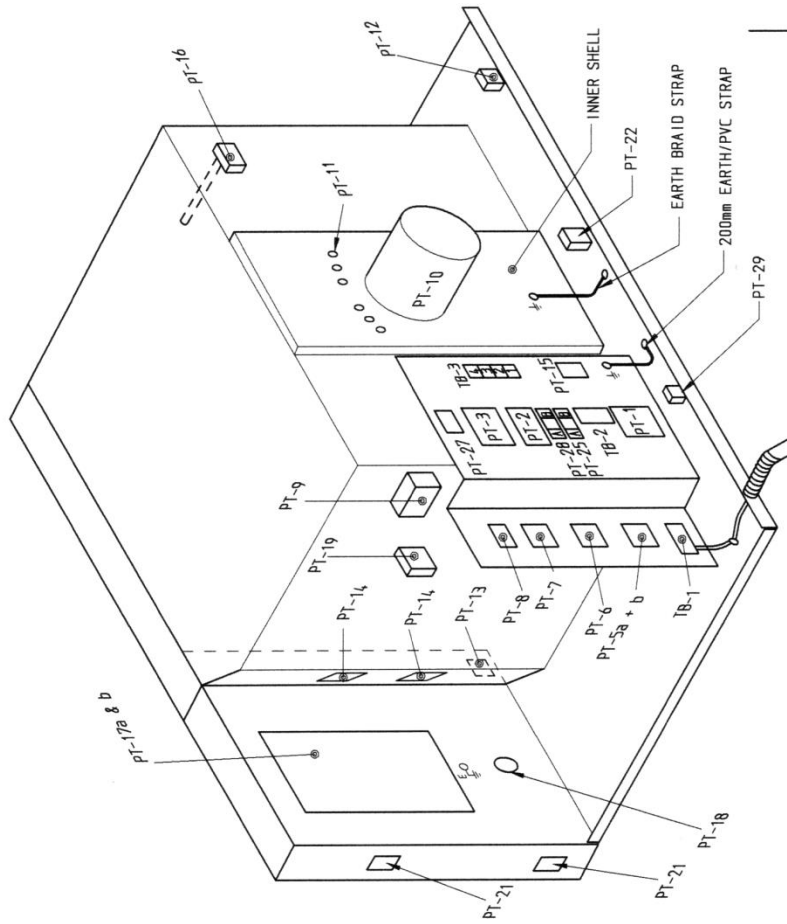


REV	SIG	DATE	REVISION	ECN NO.
C	JC	27-03-07	PT-28 & 29 ADDED	2946
B	JC	22-11-04	PT-18 CHANGED	2329
A	JC	29-9-03	SWITCH (PT18) CHANGED	2057

MONO EQUIPMENT 1000 WILSON ROAD SWANSEA WEST IND PARK SWANSEA, SA5 4EB. TEL: (01792) 561234 FAX: (01792) 561016	TITLE: BXC 4 TRAY OVEN CONTROL CIRCUIT (WITH CONDENSER IF FITTED)
ELECTRICAL SPECIFICATIONS:-	DRAWN: JC
	ELECTRICALLY APPROVED BY:- P. BOYLES
	DATE: 27-1-03
	DRAWING NO. M159E25-11100
	REV: C

COPYRIGHT © 1998 - THIS DESIGN/DRAWING IS THE PROPERTY OF MONO EQUIPMENT LTD. AND MUST NOT BE REPRODUCED, COPIED, NOR ITS CONTENTS DIVULGED WITHOUT PRIOR WRITTEN PERMISSION.

IF IN ANY DOUBT - ASK

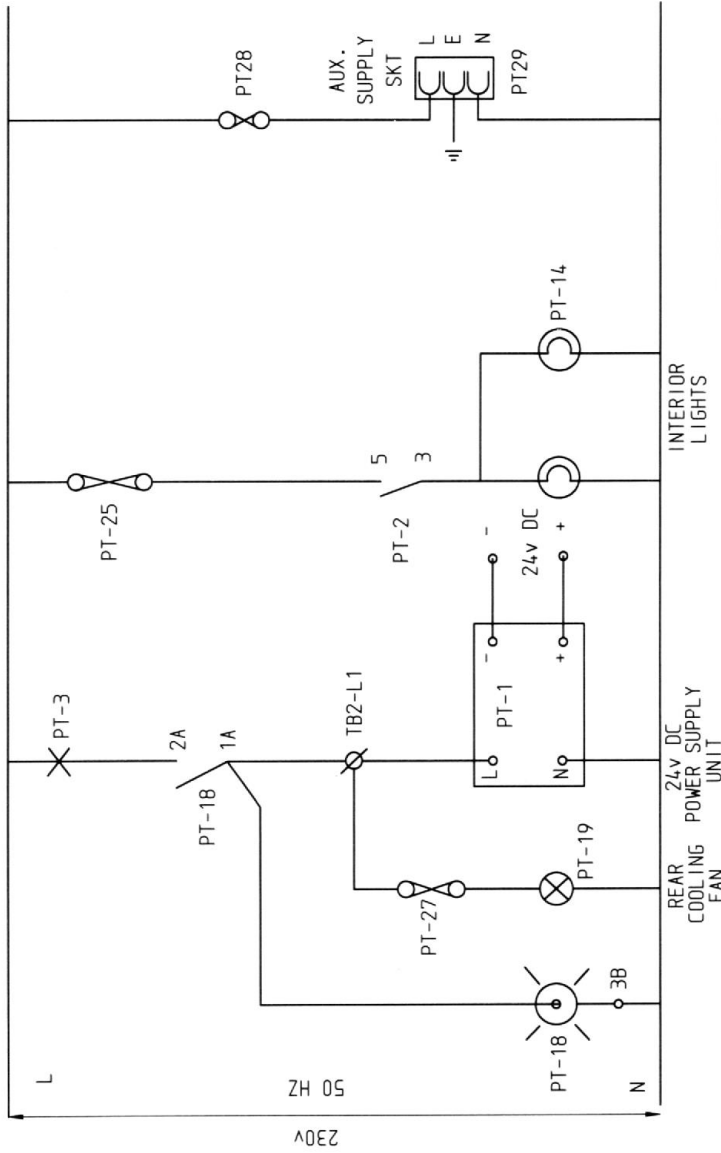


DRAWING PT-Ref	DESCRIPTION	MONO PART NUMBER
PT-1	24V DC POWER SUPPLY UNIT	8801-93-005
PT-2a	INTERIOR LIGHT RELAY	8723-37-004
PT-2b	INTERIOR LIGHT RELAY BASE	8723-36-001
PT-3	CONTROL CIRCUIT R.C.B.	8872-22-882
PT-5a	FAN MOTOR OVERLOAD UNIT	8801-03-020
PT-5b	FAN MOTOR OVERLOAD AUXILIARY CONTACT	8801-14-012
PT-6	FAN MOTOR FORWARD CONTACTOR	8801-08-031
PT-7	FAN MOTOR REVERSE CONTACTOR	8801-08-031
PT-8	HEATING ELEMENT (L/H)	8801-08-021
PT-9	DAMPER SOLENOID (R/H)	8749-83-003
PT-10	FAN MOTOR UNIT	8720-74-001
PT-11	HEATING ELEMENT (240v)	8847-04-067
PT-12	HEATING ELEMENT (220v)	8847-04-074
PT-13	4T WATER INLET ASSY	158-17-00400
PT-14	DOOR SWITCH	8842-07-023
PT-14a	INTERIOR LIGHT UNIT	8721-67-011
PT-14b	INTERIOR LIGHT BULB	8857-94-007
PT-15	BUZZER (OPTION)	8723-92-002
PT-16	THERMOCOUPLE	8873-95-002
PT-17a	PCB ASSEMBLY	M158-25-80000
PT-17b	PUSHBUTTON-GREEN-LATCHING	8836-07-004
PT-18	REAR COOLING FAN	8869-75-018
PT-19	DATA LINK SOCKET-CABLE	8705-25-005
PT-21	OVERHEAT THERMOSTAT	8888-30-014
PT-22	INTERNAL LIGHT FUSE	8842-85-042
PT-25	FAN FUSE	8842-85-025
PT-27	AUX FUSE	8842-85-039
PT-28	AUX SUPPLY SOCKET	8870-06-001
PT-29	SPEAKER	8842-92-005

REV	SIG	DATE	REVISION	ECN NO.
			TITLE: ELECTRICAL COMPONENTS LAYOUT BXC 4 TRAY OVEN ECO/HALOGEN	
MONO EQUIPMENT QUEENSWAY SWANSEA WEST IND PARK SWANSEA, S.A.S. 4EB. TEL: (01792) 581234 FAX: (01792) 361016				
ELECTRICAL SPECIFICATIONS:-				
380/415V 3PH 50Hz				
DRAWN: ELECTRICALLY APPROVED BY:-				
JC/RAC				
DATE: 1-12-09				
DRAWING NO: M158E25-75200				
REV: --				

REV	SIG	DATE	REVISION	ECN NO.
COPYRIGHT © 1998 - THIS DESIGN/DRAWING IS THE PROPERTY OF MONO EQUIPMENT LTD. AND MUST NOT BE REPRODUCED, COPIED, NOR ITS CONTENTS DIVULGED WITHOUT PRIOR WRITTEN PERMISSION.				

IF IN ANY DOUBT - ASK

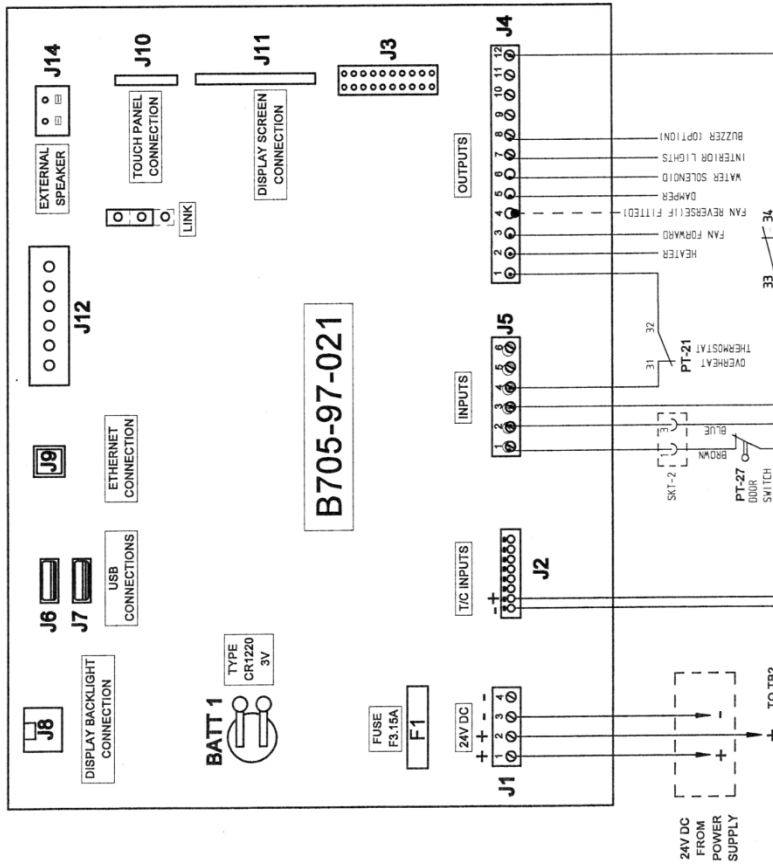


REV	SIG	DATE	REVISION	ECN NO.
D	JC	27-03-07	PT-28 & 29 ADDED	2946
C	JC	22-11-04	PT-18 CHANGED	2329
B	JC	25-9-03	SWITCH (PT-18) CHANGED	2057
A	JC	22-1-03	ADD WIRING FOR REAR FAN UNIT	1927

MONO EQUIPMENT QUEENSWAY SWANSEA SA5 4EB TEL: (01792) 561234 FAX: (01792) 561016		TITLE: BX 4 TRAY OVEN CONTROL CIRCUIT
ELECTRICAL SPECIFICATIONS:- DRAWN: JC		ELECTRICALLY APPROVED BY:- P. BOYLES
DATE: 14/12/01		DRAWING NO. M158E25-20700
REV: D		REV: D

COPYRIGHT © 1998 - THIS DESIGN/DRAWING IS THE PROPERTY OF MONO EQUIPMENT LTD. AND MUST NOT BE REPRODUCED, COPIED, NOR ITS CONTENTS DIVULGED WITHOUT PRIOR WRITTEN PERMISSION.

IF IN ANY DOUBT - ASK



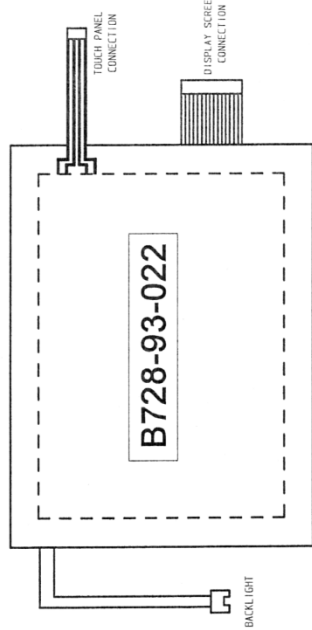
B705-97-021

TOUCH SCREEN AND CIRCUIT BOARD ASSY
MONO STOCK No. M158-25-80000
 CONSISTING OF:
 M158-25-12500 PANEL MOUNTING PLATE
 B728-93-022 TOUCH SCREEN
 B705-97-021 CIRCUIT BOARD

USB CABLE PT No B705-25-007

COPYRIGHT © 1998 - THIS DESIGN/DRAWING IS THE PROPERTY OF MONO EQUIPMENT LTD. AND MUST NOT BE REPRODUCED, COPIED, OR ITS CONTENTS DIVULGED WITHOUT PRIOR WRITTEN PERMISSION.

DISPLAY SCREEN WITH TOUCH PANEL

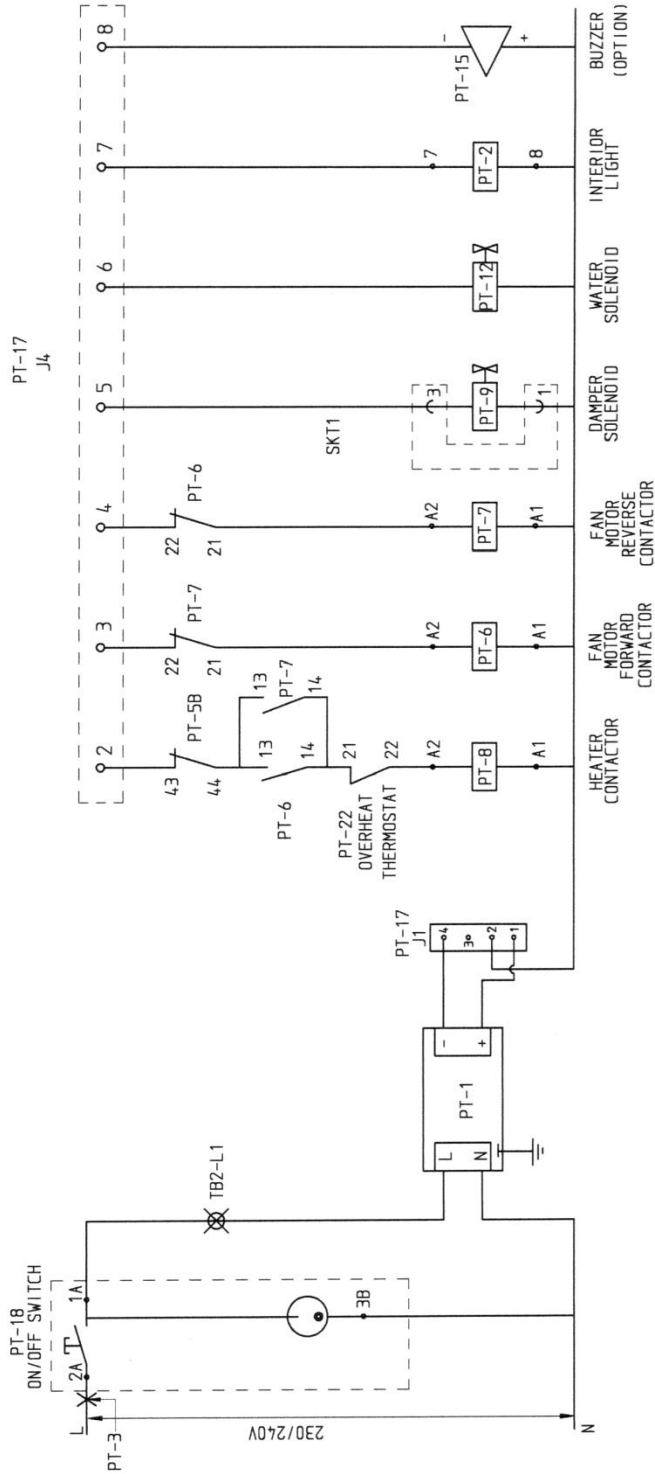


VIEW FROM REAR

B728-93-022

REV	SIG	DATE	REVISION	ECN NO.
<p>MONO EQUIPMENT QUEENSWAY SWANSEA WEST IND PARK SWANSEA, SA5 4EB. TEL: (01792) 661234 FAX: (01792) 661016</p>				
<p>ELECTRICAL SPECIFICATIONS-</p>			<p>TITLE: ECO TOUCH MAIN PCB/SCREEN LAYOUT (TOUCAN) 4 TRAY</p>	
<p>DRAWN: RAC</p>			<p>ELECTRICALLY APPROVED BY:- AT</p>	
<p>DATE: 19/11/09</p>			<p>DRAWING NO. M158E25-71200</p>	
<p>REV: ---</p>			<p>REV: ---</p>	

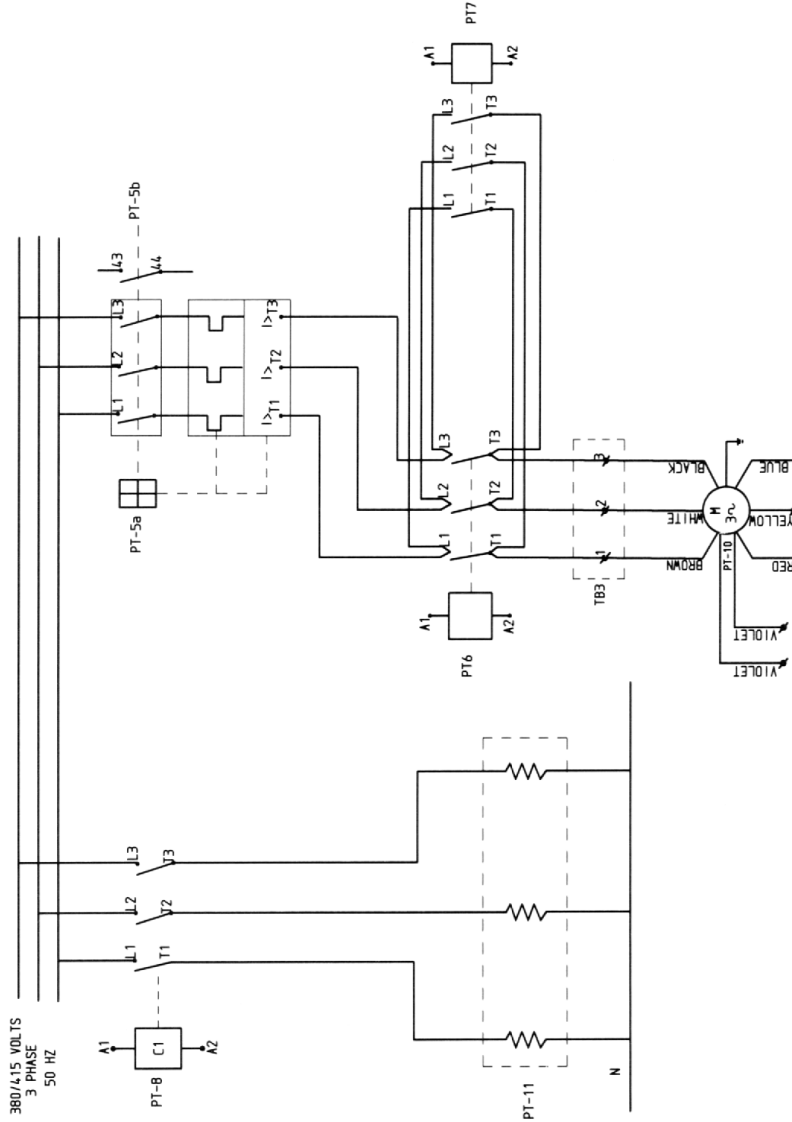
IF IN ANY DOUBT - ASK



REV	SIG	DATE	REVISION	ECN NO.
<p>MONO EQUIPMENT QUEENSWAY SWANSEA WEST IND PARK SWS5A S45 4EB. MONO TEL: (01792) 581234 FAX: (01792) 581016</p>				
<p>TITLE: BXC 4 TRAY OVEN PCB OUTPUTS ECO/HALOGEN</p>				
<p>DRAWN: JC/RAC</p>				
<p>ELECTRICALLY APPROVED BY:- P. BOYLES</p>				
<p>ELECTRICAL SPECIFICATIONS:-</p>				
<p>DATE: 1-12-09</p>				
<p>DRAWING NO: M158E25-75300</p>				
<p>REV: --</p>				

COPYRIGHT © 1998 - THIS DESIGN/DRAWING IS THE PROPERTY OF MONO EQUIPMENT LTD. AND MUST NOT BE REPRODUCED, COPIED, NOR ITS CONTENTS DIVULGED WITHOUT PRIOR WRITTEN PERMISSION.

IF IN ANY DOUBT - ASK

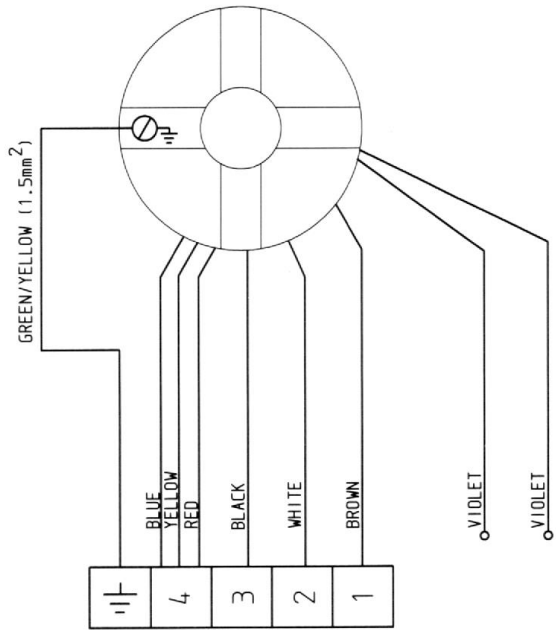


REV	SIG	DATE	REVISION	ECN NO.
A	JC	27-03-07	PT-22 REMOVED	29/46

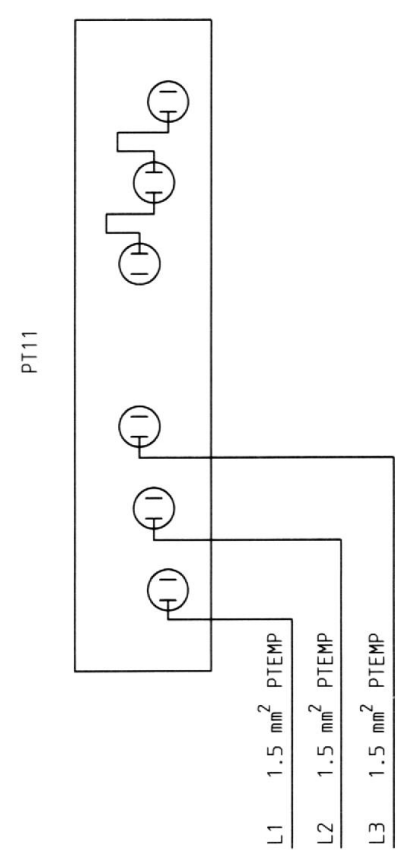
<p>MOND EQUIPMENT 100 BURNINGHAM SWANSEA WEST IND PARK SWANSEA, SA5 4EB. TEL: (01792) 561234 FAX: (01792) 561016</p>	<p>TITLE: POWER CIRCUIT DIAGRAM 4 TRAY OVEN</p>
<p>ELECTRICAL SPECIFICATIONS:-</p>	<p>DRAWN: MT</p> <p>ELECTRICALLY APPROVED BY:- P. BOYLES</p>
<p>DATE: 29-6-99</p>	<p>DRAWING NO. M158E25-01800</p>
<p>REV: A</p>	

COPYRIGHT © 1998 - THIS DESIGN/DRAWING IS THE PROPERTY OF MOND EQUIPMENT LTD. AND MUST NOT BE REPRODUCED, COPIED, NOR ITS CONTENTS DIVULGED WITHOUT PRIOR WRITTEN PERMISSION.

IF IN ANY DOUBT - ASK



FAN MOTOR CONNECTIONS



HEATING ELEMENT WIRING

REV	SIG	DATE	REVISION	ECN NO.
			FAN MOTOR CONNECTIONS & HEATING ELEMENT WIRING 4 TRAY OVEN / COLOUR DISPLAY	
MOND EQUIPMENT 1111 SWANSEA WEST IND PARK SWANSEA SA5 4EB. TEL: (01792) 561234 FAX: (01792) 561016			DRAWN: JC ELECTRICALLY APPROVED BY:- P. BOYLES	
ELECTRICAL SPECIFICATIONS:-			4.15V 3PH 50HZ	
DATE: 14-12-01			DRAWING NO: M158E25-20900	
			REV: -	

COPYRIGHT © 1998 - THIS DESIGN/DRAWING IS THE PROPERTY OF MOND EQUIPMENT LTD. AND MUST NOT BE REPRODUCED, COPIED, NOR ITS CONTENTS DIVULGED WITHOUT PRIOR WRITTEN PERMISSION.

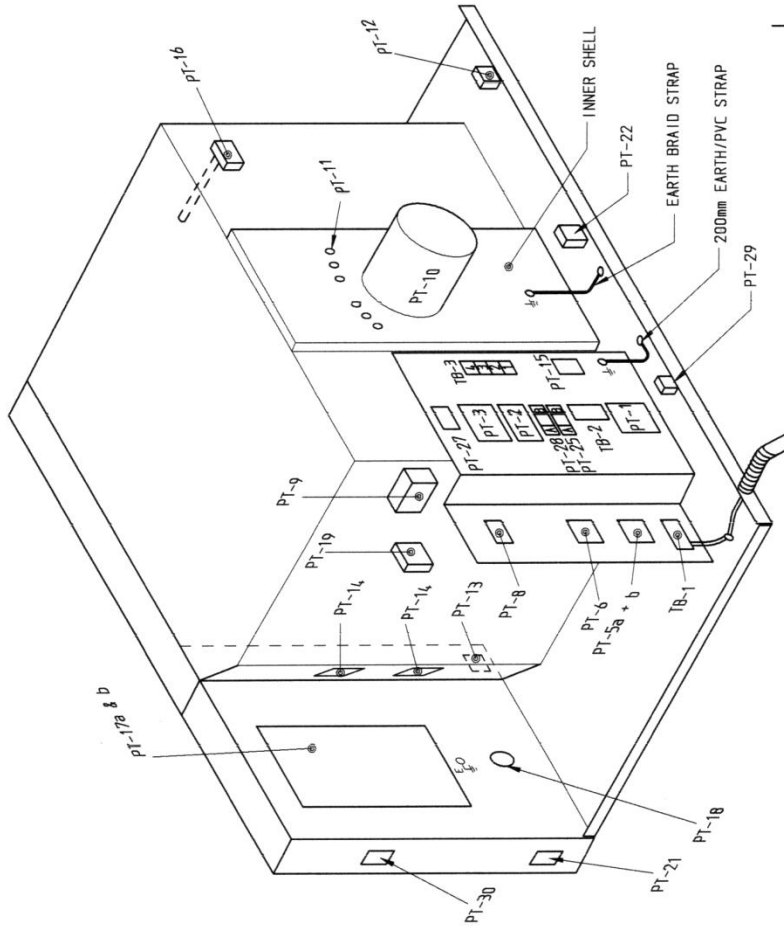
FG158 4 TRAY 1 phase

M158E25-75400	COMPONENTS
M158E25-71200	PCB CONNECTIONS
M158E25-20700	CONTROL CIRCUIT
M158E25-75500	PCB OUTPUTS
M158E25-51300	POWER CIRCUIT
M158E25-52200	FAN AND ELEMENT WIRING

FOR ENGINEERS USE ONLY.
DO NOT ATTEMPT ANY ALTERATIONS.
IF IN DOUBT, CONTACT MONO FOR ADVICE

SECTION 4

IF IN ANY DOUBT - ASK

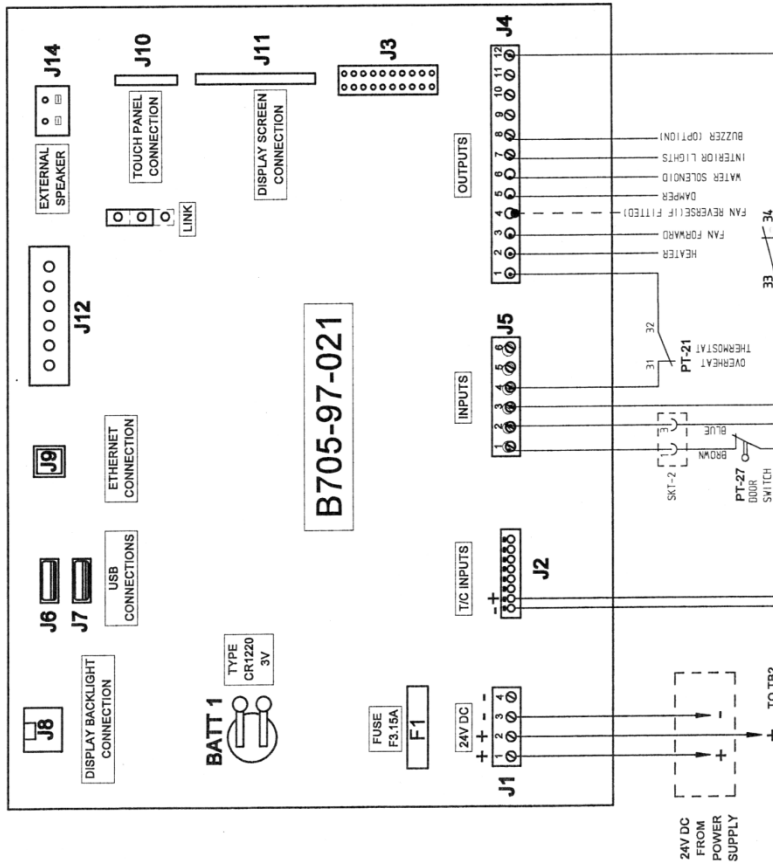


DRAWING PT-Ref	DESCRIPTION	MONO PART NUMBER
PT-1	24V DC POWER SUPPLY UNIT	8801-93-005
PT-2a	INTERIOR LIGHT RELAY	8723-37-004
PT-2b	INTERIOR LIGHT RELAY BASE	8723-34-001
PT-3	CONTROL CIRCUIT P.C.B.	8672-22-062
PT-5a	FAN MOTOR OVERLOAD UNIT	8801-03-020
PT-5b	FAN MOTOR OVERLOAD AUXILIARY CONTACT	8801-14-012
PT-6	FAN MOTOR CONTACTOR	8801-08-031
PT-8	HEATING ELEMENT CONTACTOR	8801-08-021
PT-9	DAMPER SOLENOID (L/H)	8749-83-001
PT-10	FAN MOTOR UNIT	8749-83-002
PT-11	HEATING ELEMENT (240V)	8720-7L-001
PT-11	HEATING ELEMENT (220V)	8847-04-067
PT-12	4T WATER INLET ASSY	136-17-00400
PT-13	DOOR SWITCH	8842-07-023
PT-14a	INTERIOR LIGHT UNIT	8721-67-011
PT-14b	INTERIOR LIGHT BULB	8857-94-007
PT-15	BUZZER (OPTION)	8723-92-002
PT-16	THERMOCOUPLE	8873-95-002
PT-17a	PCB ASSEMBLY	M158-25-80000
PT-17b	PUSHBUTTON-GREEN-LATCHING	8836-07-004
PT-18	REAR COOLING FAN	8869-75-018
PT-19	USB SOCKET-CABLE	8705-25-007
PT-21	OVERHEAT THERMOSTAT	8688-30-014
PT-22	INTERNAL LIGHT FUSE	8842-85-042
PT-25	FAN FUSE	8842-85-025
PT-27	AUX FUSE	8842-85-039
PT-28	AUX SUPPLY SOCKET	8870-06-001
PT-29	SPEAKER	8842-92-005

REV	SIG	DATE	REVISION	ECN NO.
			TITLE: ELECTRICAL COMPONENTS LAYOUT BXC 4 TRAY OVEN ECO/HALOGEN DRAWN: JC/RAC ELECTRICALLY APPROVED BY:-	
<p>MONO EQUIPMENT QUEENSWAY WEST IND PARK SWANSEA SAS 4EB. TEL: (01782) 581234 FAX: (01782) 581018</p>				
ELECTRICAL SPECIFICATIONS:-				
230V 1PH 50HZ				
DATE: 1-12-09				REV: --
DRAWING NO. M158E25-754.00				

COPYRIGHT © 1998 - THIS DESIGN/DRAWING IS THE PROPERTY OF MONO EQUIPMENT LTD. AND MUST NOT BE REPRODUCED, COPIED, NOR ITS CONTENTS DIVULGED WITHOUT PRIOR WRITTEN PERMISSION.

IF IN ANY DOUBT - ASK

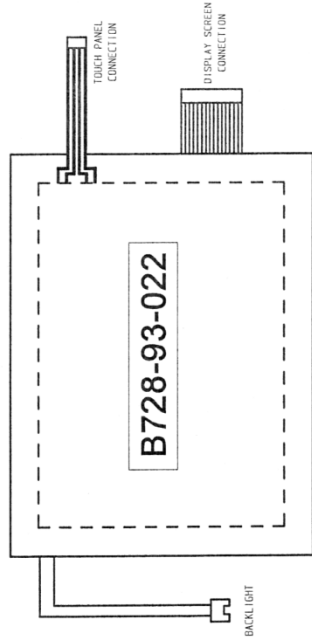


TOUCH SCREEN AND CIRCUIT BOARD ASSY
MONO STOCK No. M158-25-80000
 CONSISTING OF:
 M158-25-12500 PANEL MOUNTING PLATE
 B728-93-022 TOUCH SCREEN
 B705-97-021 CIRCUIT BOARD

USB CABLE PT No B705-25-007

COPYRIGHT © 1998 - THIS DESIGN/DRAWING IS THE PROPERTY OF MONO EQUIPMENT LTD. AND MUST NOT BE REPRODUCED, COPIED, OR ITS CONTENTS DIVULGED WITHOUT PRIOR WRITTEN PERMISSION.

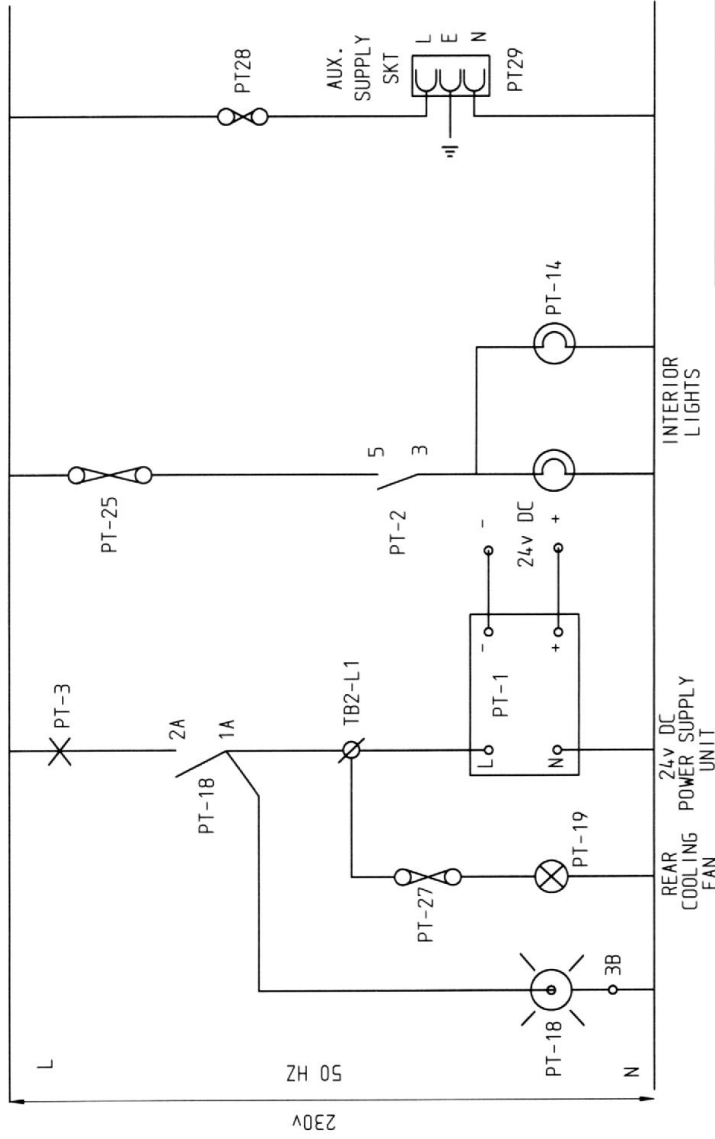
DISPLAY SCREEN WITH TOUCH PANEL



VIEW FROM REAR

REV	SIG	DATE	REVISION	ECN NO.
MONO EQUIPMENT QUEENSWAY SWANSEA WEST IND PARK SWANSEA, SA5 4EB. TEL: (01792) 661234 FAX: (01792) 661016				
ELECTRICAL SPECIFICATIONS-			TITLE: ECO TOUCH	
			MAIN PCB/SCREEN LAYOUT	
			4 TRAY	
			DRAWN: RAC	
			ELECTRICALLY APPROVED BY:- AT	
			DATE: 19/11/09	
			DRAWING NO. M158E25-71200	
			REV: ---	

IF IN ANY DOUBT - ASK

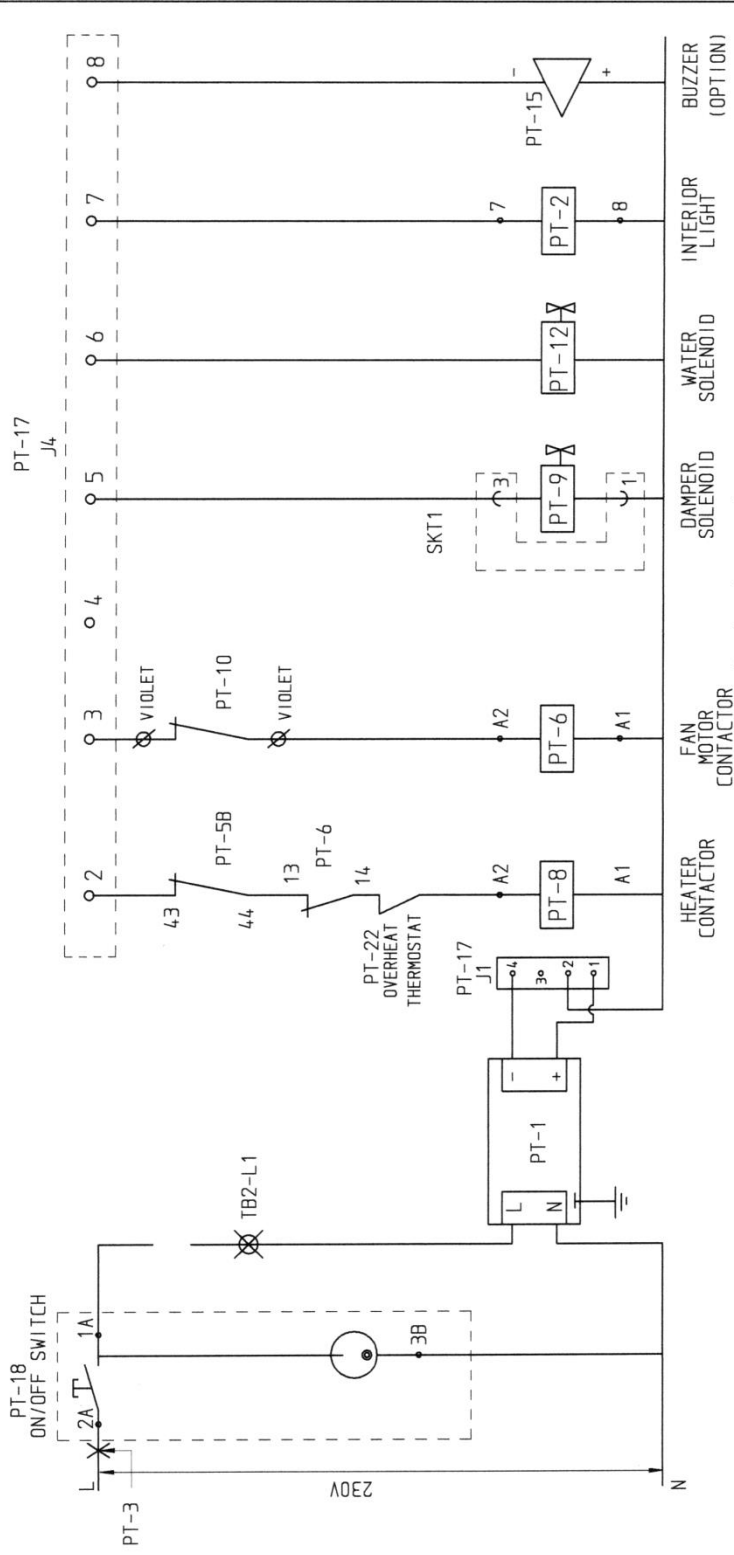


REV	SIG	DATE	REVISION	ECN NO.
D	JC	27-03-07	PT-28 & 29 ADDED	2946
C	JC	22-11-04	PT-18 CHANGED	2329
B	JC	25-9-03	SWITCH (PT-18) CHANGED	2057
A	JC	22-1-03	ADD WIRING FOR REAR FAN UNIT	1927

MONO EQUIPMENT 100, LSWAY SWANSEA WEST IND PARK SWANSEA, SA5 4EB. TEL: (01792) 561234 FAX: (01792) 561016		TITLE: BX 4 TRAY OVEN CONTROL CIRCUIT	
ELECTRICAL SPECIFICATIONS:- DRAWN: JC		ELECTRICALLY APPROVED BY:- P. BOYLES	
DATE: 14/12/01		DRAWING NO. M158E25-20700	
REV: D		ECN NO.	

COPYRIGHT © 1998 - THIS DESIGN/DRAWING IS THE PROPERTY OF MONO EQUIPMENT LTD. AND MUST NOT BE REPRODUCED, COPIED, NOR ITS CONTENTS DIVULGED WITHOUT PRIOR WRITTEN PERMISSION.

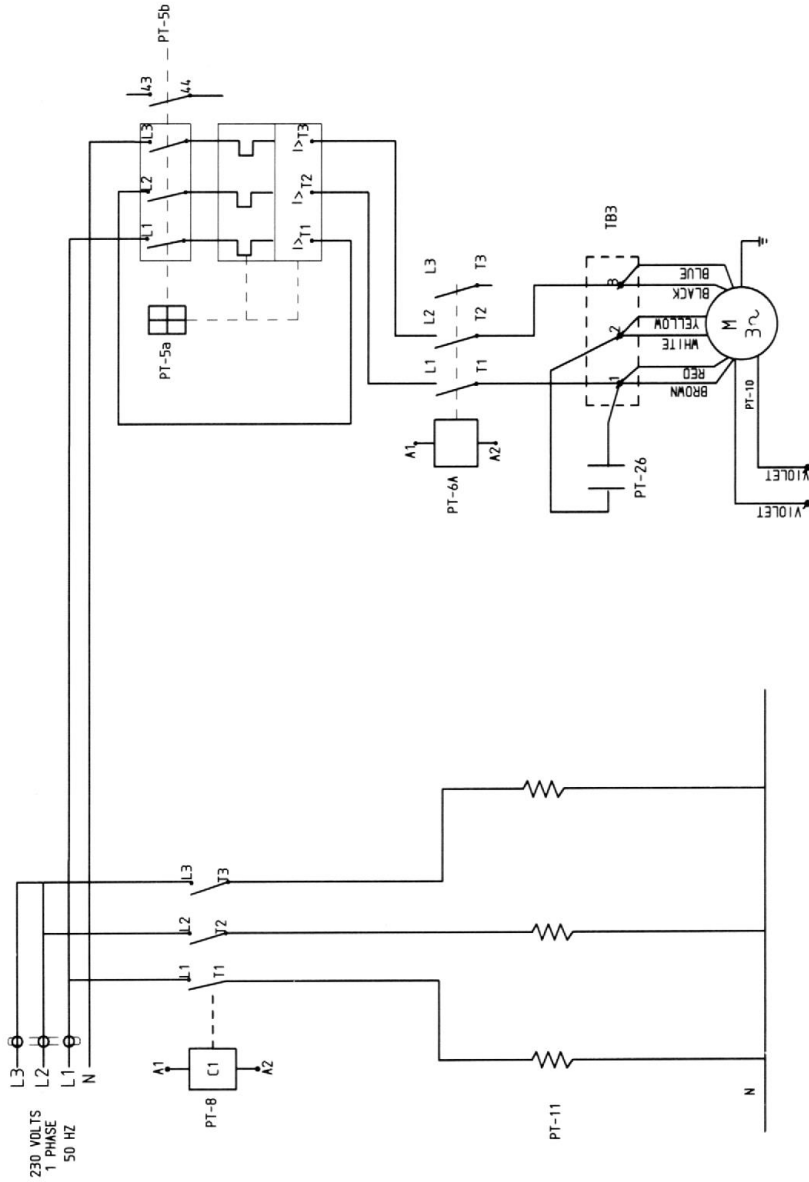
IF IN ANY DOUBT - ASK



REV	SIG	DATE	REVISION	ECN NO.
<p>MONO EQUIPMENT QUEENSWAY SWANSEA WEST IND PARK SWANSEA SAS WALES TEL: (01792) 561234 FAX: (01792) 561016</p>				
<p>ELECTRICAL SPECIFICATIONS:- 230V 1PH/50Hz</p>			<p>TITLE: BXC 4 TRAY OVEN PCB OUTPUTS</p>	
<p>DRAWN: JC/RAC</p>			<p>ELECTRICALLY APPROVED BY:- A. THOMAS</p>	
<p>DATE: 1-12-09</p>			<p>DRAWING NO: M158E25-75500</p>	
<p>REV: --</p>			<p>REV: --</p>	

COPYRIGHT © 1998 - THIS DESIGN/DRAWING IS THE PROPERTY OF MONO EQUIPMENT LTD. AND MUST NOT BE REPRODUCED, COPIED, NOR ITS CONTENTS DIVULGED WITHOUT PRIOR WRITTEN PERMISSION.

IF IN ANY DOUBT - ASK

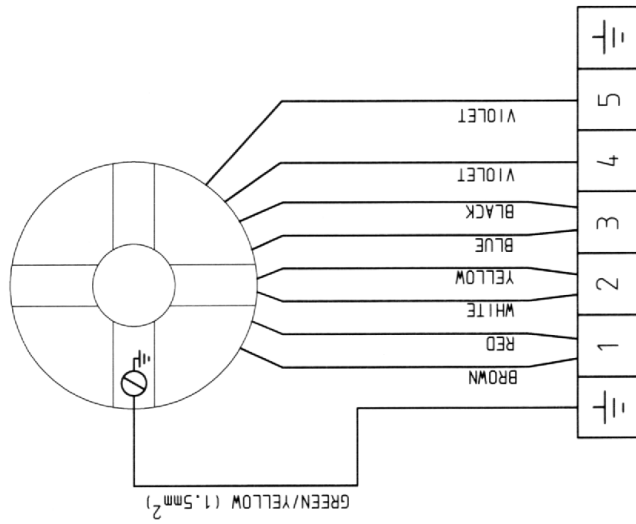


REV	SIG	DATE	REVISION	ECN NO.
A	JC	27-03-07	PT-22 REMOVED	2946

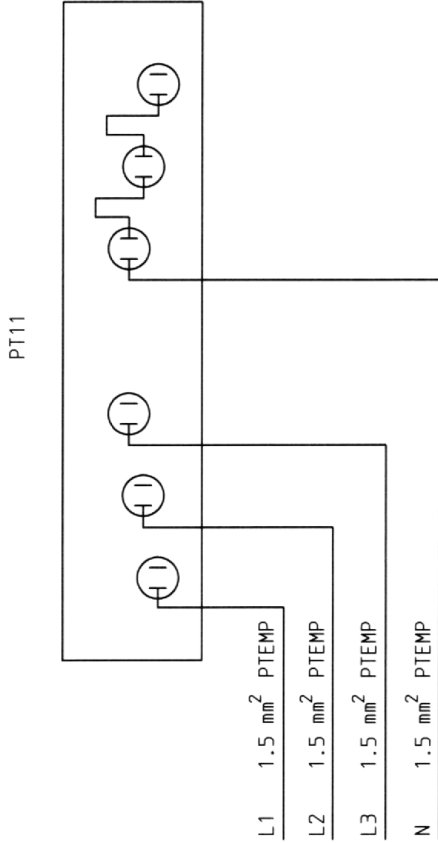
MONO EQUIPMENT QUEENSWAY SWANSEA SA5 4EB. TEL: (01792) 561234 FAX: (01792) 561016	TITLE: POWER CIRCUIT DIAGRAM 4 TRAY CLASSIC/COLOUR ONE WAY FAN ROTATING OVEN WITH STANDARD FAN IMPELLER
ELECTRICAL SPECIFICATIONS:- 230V 1PH 50Hz	DRAWN: JC ELECTRICALLY APPROVED BY:- P. BOYLES
DATE: 12-7-99	
DRAWING NO. M158E25-51300	
REV: A	

COPYRIGHT © 1998 - THIS DESIGN/DRAWING IS THE PROPERTY OF MONO EQUIPMENT LTD. AND MUST NOT BE REPRODUCED, COPIED, NOR ITS CONTENTS DIVULGED WITHOUT PRIOR WRITTEN PERMISSION.

IF IN ANY DOUBT - ASK



FAN MOTOR CONNECTIONS



HEATING ELEMENT WIRING

REV	SIG	DATE	REVISION	ECN NO.
			FAN MOTOR CONNECTIONS & HEATING ELEMENT WIRING 4 TRAY CLASSIC/COLOUR ONE WAY FAN ROTATING OVEN	
MOND EQUIPMENT QUEENSWAY SWANSEA SA5 4EB. TEL: (01782) 561234 FAX: (01782) 561016			DRAWN: JC ELECTRICALLY APPROVED BY: P. BOYLES	
ELECTRICAL SPECIFICATIONS:-			DRAWING NO: M158E25-52200	
230V 1PH 50Hz			DATE: 15-7-99	
			REV: —	

COPYRIGHT © 1998 - THIS DESIGN/DRAWING IS THE PROPERTY OF MOND EQUIPMENT LTD. AND MUST NOT BE REPRODUCED, COPIED, NOR ITS CONTENTS DIVULGED WITHOUT PRIOR WRITTEN PERMISSION.