



[www.monoequip.com](http://www.monoequip.com)

Enter **Serial No.** here. \_\_\_\_\_

In the event of an enquiry please quote this serial number.

# **Bx OVEN**

## **ELECTRICAL INFORMATION**

**FOR ENGINEERS USE ONLY.**  
DO NOT ATTEMPT ANY ALTERATIONS.  
IF IN DOUBT, CONTACT MONO FOR ADVICE

**COLOUR VERSION**

## **SECTION 1**

**FG149/150**

**10 TRAY COLOUR**

**PAGE 3**

<b>M150E25-51100</b>	<b>COMPONENTS</b>
M150E25-03100	CONTROL PANEL LAYOUT
M150E25-51400	PCB CONNECTIONS
M150E25-51200	PCB OUTPUTS
M150E25-51300	LIGHT AND POWER CIRCUIT
M150E25-03200	MOTOR POWER CIRCUIT
M150E25-03300	HEATING POWER CIRCUIT
M150E25-03400	FAN AND ELEMENT WIRING

## **SECTION 2**

**FG156**

**2 TRAY COLOUR**

**PAGE 12**

M156E25-13200	COMPONENTS
M156E25-13000	CONTROL AND POWER CIRCUIT
M156E25-13300	PCB CONNECTIONS
M156E25-13400	PCB OUTPUTS

## **SECTION 3**

**FG153/158/159**

**4 TRAY COLOUR**

**PAGE 17**

<b>M159E25-10900</b>	<b>COMPONENTS (159 ONLY)</b>
M159E25-11100	CONTROL CIRCUIT (159 ONLY)
<b>M158E25-20600</b>	<b>COMPONENTS (153/158 ONLY)</b>
M158E25-20700	CONTROL CIRCUIT (153/158 ONLY)
M158E25-21000	PCB CONNECTIONS
M158E25-20800	PCB OUTPUTS
M158E25-01800	POWER CIRCUIT
M158E25-20900	FAN AND ELEMENT WIRING

## **SECTION 4**

**FG158 4 TRAY 1 PHASE**

**PAGE 26**

<b>M158E25-22500</b>	<b>COMPONENTS</b>
M158E25-21000	PCB CONNECTIONS
M158E25-20700	CONTROL CIRCUIT
M158E25-22600	PCB OUTPUTS
M158E25-51300	POWER CIRCUIT
M158E25-52200	FAN AND ELEMENT WIRING

**CONDENSER (IF FITTED)**

**PAGE 33**

## **FG149/150 COLOUR 10 TRAY**

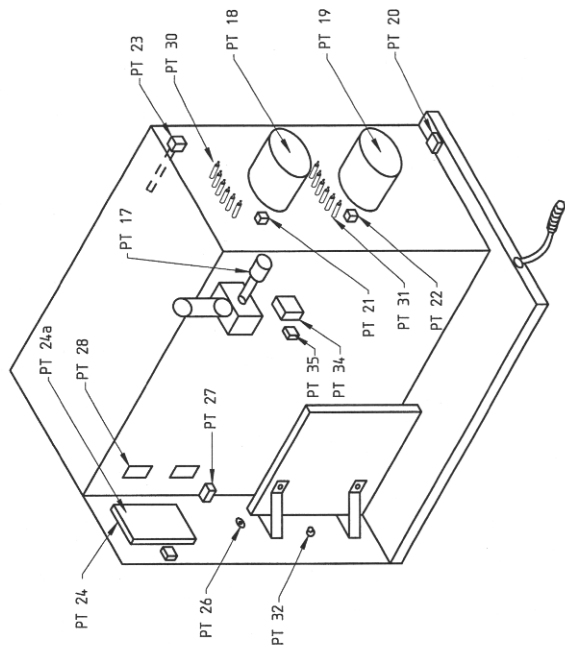
M150E25-51100	COMPONENTS
M150E25-03100	CONTROL PANEL LAYOUT
M150E25-51400	PCB CONNECTIONS
M150E25-51200	PCB OUTPUTS
M150E25-51300	LIGHT AND POWER CIRCUIT
M150E25-03200	MOTOR POWER CIRCUIT
M150E25-03300	HEATING POWER CIRCUIT
M150E25-03400	FAN AND ELEMENT WIRING

# SECTION 1

**FOR ENGINEERS USE ONLY.**  
DO NOT ATTEMPT ANY ALTERATIONS.  
IF IN DOUBT, CONTACT MONO FOR ADVICE

IF IN ANY DOUBT - ASK

DRAWING PT-Ref	DESCRIPTION	MONO PART NUMBER
PT-1	INTERIOR LIGHT M.C.B.	B872-22-063
PT-2	CONTROL CIRCUIT M.C.B.	B872-22-062
PT-4a	FAN MOTOR OVERLOAD UNIT N'1 (TOP)	B801-03-020
PT-4b	FAN MOTOR OVERLOAD N'1 AUXILIARY CONTACT	B801-14-012
PT-5a	FAN MOTOR OVERLOAD UNIT N'2 (BOTTOM)	B801-03-020
PT-5b	FAN MOTOR OVERLOAD N'2 AUXILIARY CONTACT	B801-14-012
PT-8a	INTERIOR LIGHT RELAY	B723-37-004
PT-8b	INTERIOR LIGHT RELAY BASE	B723-36-001
PT-10a	FAN MOTOR CONTACTOR N'1-FORWARD (TOP MOTOR)	B801-08-031
PT-10b	FAN MOTOR CONTACTOR N'1-REVERSE (TOP MOTOR)	B801-08-031
PT-11a	FAN MOTOR CONTACTOR N'2-FORWARD (BTM MOTOR)	B801-18-031
PT-11b	FAN MOTOR CONTACTOR N'2-REVERSE (BTM MOTOR)	B801-18-031
PT-14	24V DC POWER SUPPLY UNIT	B801-93-005
PT-15	HEATING ELEMENT CONTACTOR	B801-08-020
PT-17	{ DAMPER SOLENOID (L/H) DAMPER SOLENOID (R/H)	{ B749-83-003 B749-83-004
PT-18	FAN MOTOR UNIT N'1 (TOP MOTOR)	B720-74-001
PT-19	FAN MOTOR UNIT N'1 (BOTTOM MOTOR)	B720-74-001
PT-20	WATER SOLENOID	150-07-00400
PT-21	OVERHEAT THERMOSTAT N'1 (TOP)	B888-30-014
PT-23	OVEN THERMOCOUPLE	B873-95-002
PT-24	PCB ASSEMBLY	M158-25-14000
PT-26	PUSHBUTTON-GREEN-LATCHING	B836-07-004
PT-27	DOOR SWITCH	B842-07-023
PT-28A	INTERIOR LIGHT UNIT	B721-67-011
PT-28B	INTERIOR LIGHT BULB	B857-94-007
PT-29	BUZZER	B723-92-002
PT-30	8KW ELEMENT OVENS ONLY	
PT-31	HEATING ELEMENT UNIT N'1 (TOP) 240v	B847-04-068
PT-31	HEATING ELEMENT UNIT N'2 (BOTTOM) 240v	B847-04-068
PT-30	HEATING ELEMENT UNIT N'1 (TOP) 220v	B847-04-073
PT-31	HEATING ELEMENT UNIT N'2 (BOTTOM) 220v	B847-04-073
PT-30	7KW ELEMENT OVENS ONLY	
PT-31	HEATING ELEMENT UNIT N'1 (TOP) 240v	B847-04-067
PT-31	HEATING ELEMENT UNIT N'2 (BOTTOM) 240v	B847-04-067
PT-30	HEATING ELEMENT UNIT N'1 (TOP) 220v	B847-04-074
PT-31	HEATING ELEMENT UNIT N'2 (BOTTOM) 220v	B847-04-074
PT-34	REAR FAN UNIT	B869-75-018
PT-35	REAR FAN UNIT FUSE	B842-85-025
PT-36	AUX POWER OUTLET	B970-06-001
PT-37	AUX POWER OUTLET FUSE	B842-85-039



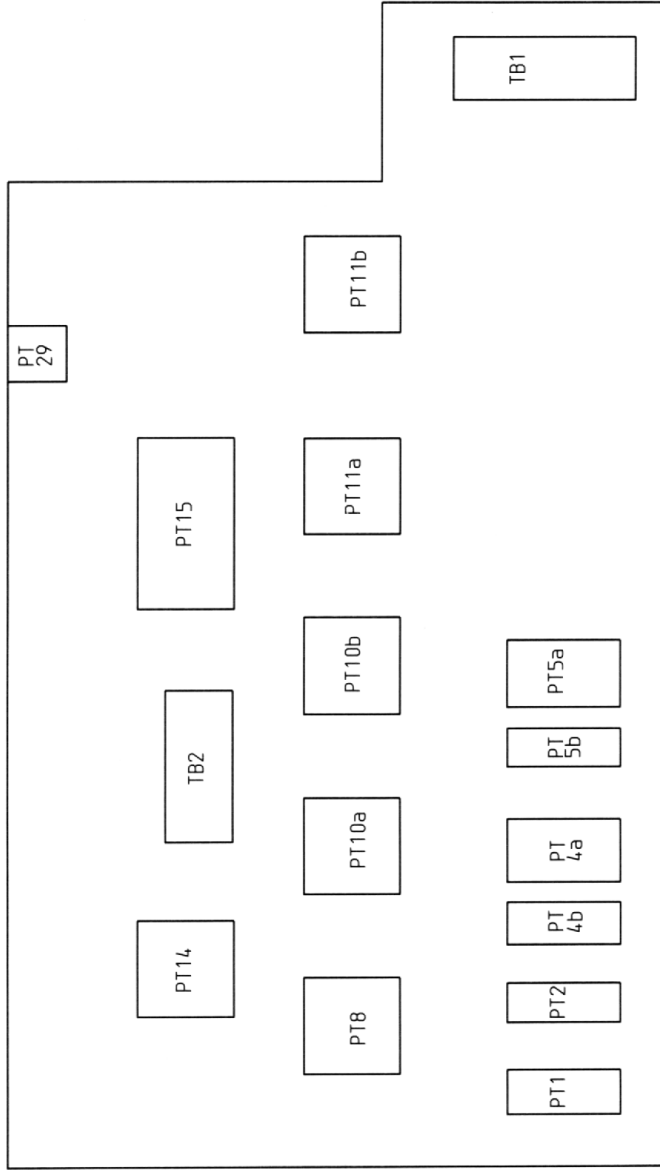
REV	SIG	DATE	REVISION	ECN NO.
M	RAC	31-3-10	PT28A WAS B721-67-006. PT28B WAS B857-94-004	B15/09
L	RAC	10-2-10	PT24a & b NOW PT. 24 AND PT. NO CHANGED	B38/09
K	JC	29-01-09	PT27 WAS ASSY 154-25-01200 (B801-11-001)	1957/08
J	RAC	29-03-07	PT22 O/HEAT THERMOSTAT DELETED; PT36/37 ADDED	2946
I	JC	30-10-06	PT-17 WAS B749-83-001 & B749-83-002	2868
H	RAC	31-10-05	B859- NOW B801-	2573
G	JC	27-7-05	PT-23 WAS B873-95-001	2525
F	JC	13-6-05	PT-14 WAS B705-93-006	2483
E	JC	7-4-05	PT-28A WAS B721-67-001	2435
D	JC	22-11-04	PT-26a-d WAS B801-xx (SEE LIST)	2329
C	JC	22-11-04	PT-34 WAS B869-75-023	2318
B	JC	25-9-03	SWITCH (PT-26) CHANGED	2056
A	JC	14-2-03	EXISTING SMALL FAN DELETED (IN CONJUNCTION WITH ECN 1925)	1927

<p>MONO EQUIPMENT QUEENSWAY SWANSEA WESTIND PARK SWANSEA, SA5 4EB. TEL: (01782) 581284 FAX: (01782) 581018</p>		<p>TITLE: ELECTRICAL COMPONENTS LAYOUT BXC 10 TRAY OVEN</p>	
<p>ELECTRICAL SPECIFICATIONS:- 4,15V 3PH 50HZ</p>		<p>DRAWN: ALW/JC</p>	<p>ELECTRICALLY APPROVED BY: <i>Adrian</i></p>
<p>DATE: 8/11/01</p>		<p>DRAWING NO. M150E25-51100</p>	<p>REV: M</p>

COPYRIGHT © 1998 - THIS DESIGN/DRAWING IS THE PROPERTY OF MONO EQUIPMENT LTD. AND MUST NOT BE REPRODUCED, COPIED, OR ITS CONTENTS DIVULGED WITHOUT PRIOR WRITTEN PERMISSION.



IF IN ANY DOUBT - ASK

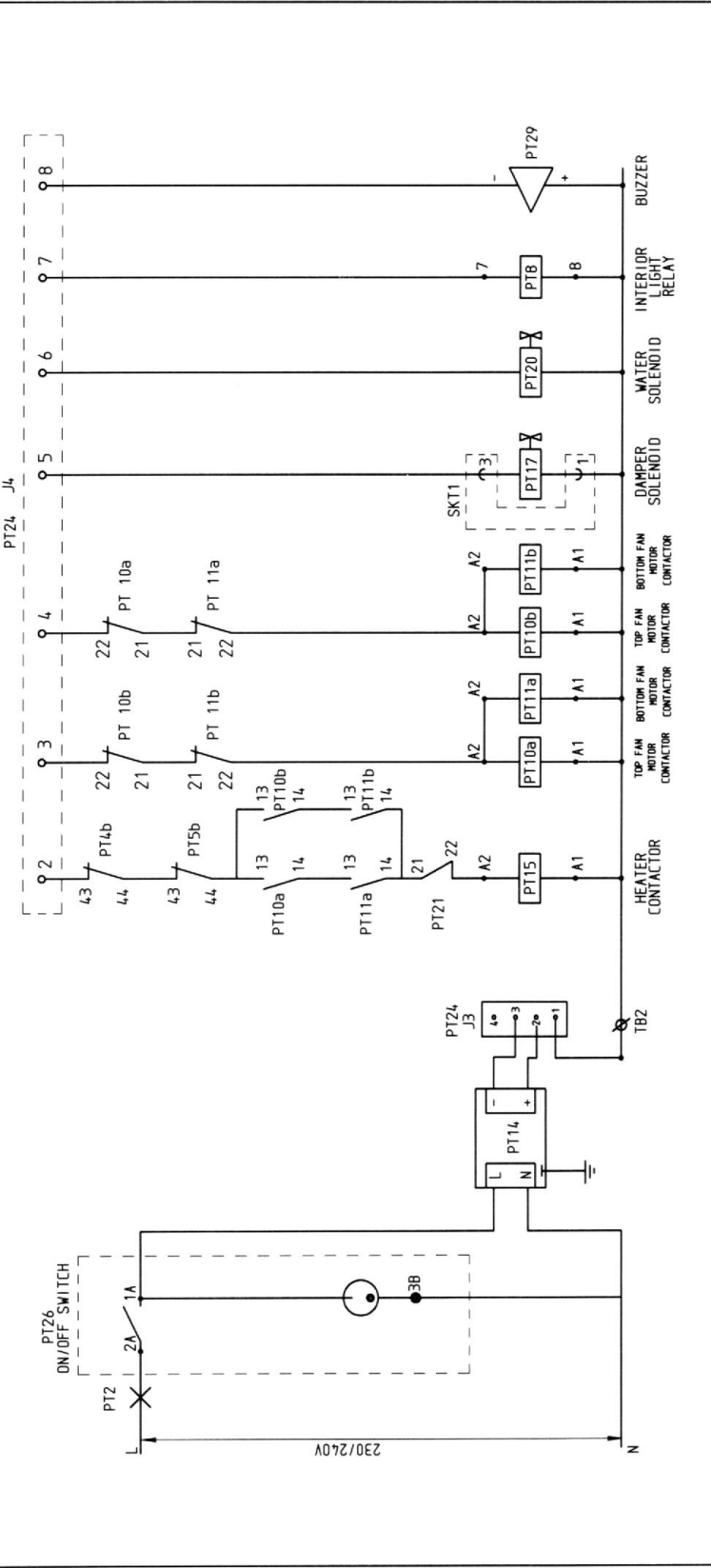


REV	SIG	DATE	REVISION	ECN NO.
 <b>MONO EQUIPMENT</b> QUEENSWAY SWANSEA WEST IND PARK SWANSEA, SA5 4EB. TEL: (01792) 561234 FAX: (01792) 561016		TITLE: COLOURSMART MAIN CONTROL PANEL LAYOUT 10 TRAY OVEN MK11		
ELECTRICAL SPECIFICATIONS:-		DRAWN: A.L.W.		
		ELECTRICALLY APPROVED BY:- P.BOYLES		
		DATE: 3/2/00	DRAWING NO: M150E25-03100	REV: -

COPYRIGHT © 1998 - THIS DESIGN/DRAWING IS THE PROPERTY OF MONO EQUIPMENT LTD. AND MUST NOT BE REPRODUCED, COPIED, NOR ITS CONTENTS DIVULGED WITHOUT PRIOR WRITTEN PERMISSION.



IF IN ANY DOUBT - ASK



REV	SIG	DATE	REVISION	ECN NO.
E	RAC	30-3-07	PT21 WIRING CHANGE	2946
D	RAC	31-10-05	A1 and A2 changed round	2573
C	JC	22-11-04	PT-26a-d WAS B801-xx (SEE LIST)	2329
B	JC	25-9-03	SWITCH (PT=26) CHANGED	2057
A	JC	14-2-03	EXISTING SMALL FAN DELETED (IN CONJUNCTION WITH ECN 1925)	1927

**MONO EQUIPMENT**  
 QUEENSWAY  
 SWANSEA WEST IND PARK  
 SWANSEA  
 SA5 4EB  
 TEL: (01792) 561234  
 FAX: (01792) 561016

**TITLE:**  
 BXC 10 TRAY mk3 OVEN  
 P.C.B. OUTPUTS

**ELECTRICAL SPECIFICATIONS:-**  
 415V 3 PHASE 50Hz

**DRAWN:**  
 ALW/JC

**ELECTRICALLY APPROVED BY:-**  
 P. BOYLES

**DATE:**  
 9-11-01

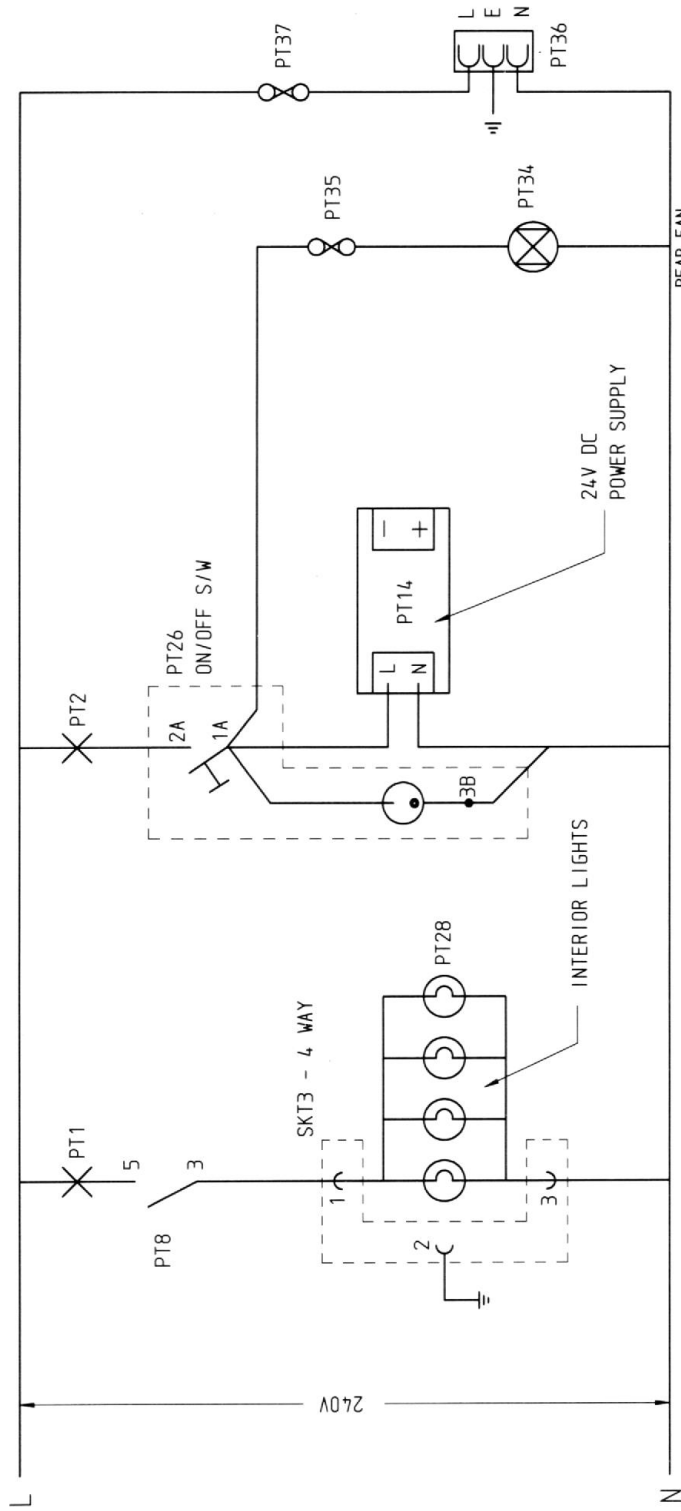
**DRAWING NO.:**  
 M150E25-51200

**REV.:**  
 E

COPYRIGHT © 1998 - THIS DESIGN/DRAWING IS THE PROPERTY OF MONO EQUIPMENT LTD. AND MUST NOT BE REPRODUCED, COPIED, NOR ITS CONTENTS DIVULGED WITHOUT PRIOR WRITTEN PERMISSION.



IF IN ANY DOUBT - ASK



REV	SIG	DATE	REVISION	ECN NO.
D	RAC	22-2-07	PT36 & PT37 ADDED	2946
C	JC	22-11-04	PT-26B-d WAS B801-xx (SEE LIST)	2329
B	JC	25-9-03	SWITCH (PT-26) CHANGED	2057
A	JC	14-2-03	EXISTING SMALL FAN DELETED (IN CONJUNCTION WITH ECN 1925)	1927

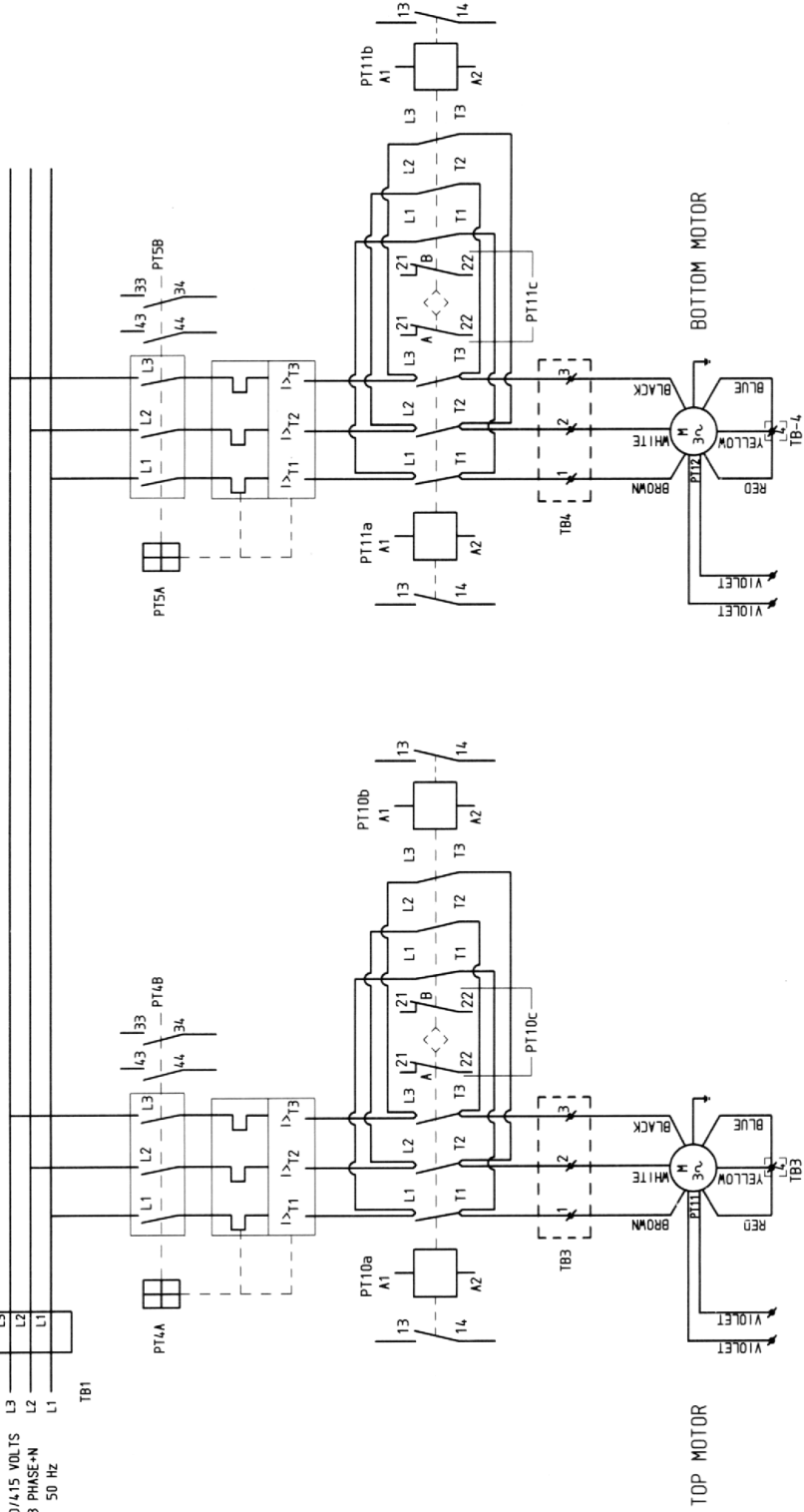
  

<p>MONO EQUIPMENT QUEENSWAY SWANSEA WEST IND PARK SWANSEA, SAW 4EB. TEL: (01792) 561234 FAX: (01792) 561016</p>	<p>TITLE: BXC 10 TRAY OVEN INTERIOR LIGHT &amp; POWER SUPPLY CIRCUIT</p>
<p>ELECTRICAL SPECIFICATIONS:-</p>	<p>ELECTRICALLY APPROVED BY:- P. BOYLES</p>
<p>DRAWN: JGJ/JC</p>	<p>DATE: 9-11-01</p>
<p>DRAWING NO. M150E25-51300</p>	<p>REV: D</p>

COPYRIGHT © 1998 - THIS DESIGN/DRAWING IS THE PROPERTY OF MONO EQUIPMENT LTD. AND MUST NOT BE REPRODUCED, COPIED, NOR ITS CONTENTS DIVULGED WITHOUT PRIOR WRITTEN PERMISSION.

IF IN ANY DOUBT - ASK

380/415 VOLTS  
 3 PHASE-N  
 50 Hz



REV	SIG	DATE	REVISION	ECN NO.

**MONO EQUIPMENT**  
 QUEENSWAY  
 SWANSEA WEST IND PARK  
 WALES SA5 4EB  
 TEL: (01792) 561234  
 FAX: (01792) 561016

**TITLE:**  
 MOTOR POWER CIRCUIT DIAGRAM  
 10 TRAY OVEN MK11

**ELECTRICAL SPECIFICATIONS:-**  
 380/415V 3 PH & N 50Hz

**DRAWN:**  
 A.L.W.

**ELECTRICALLY APPROVED BY:-**  
 P. BOYLES

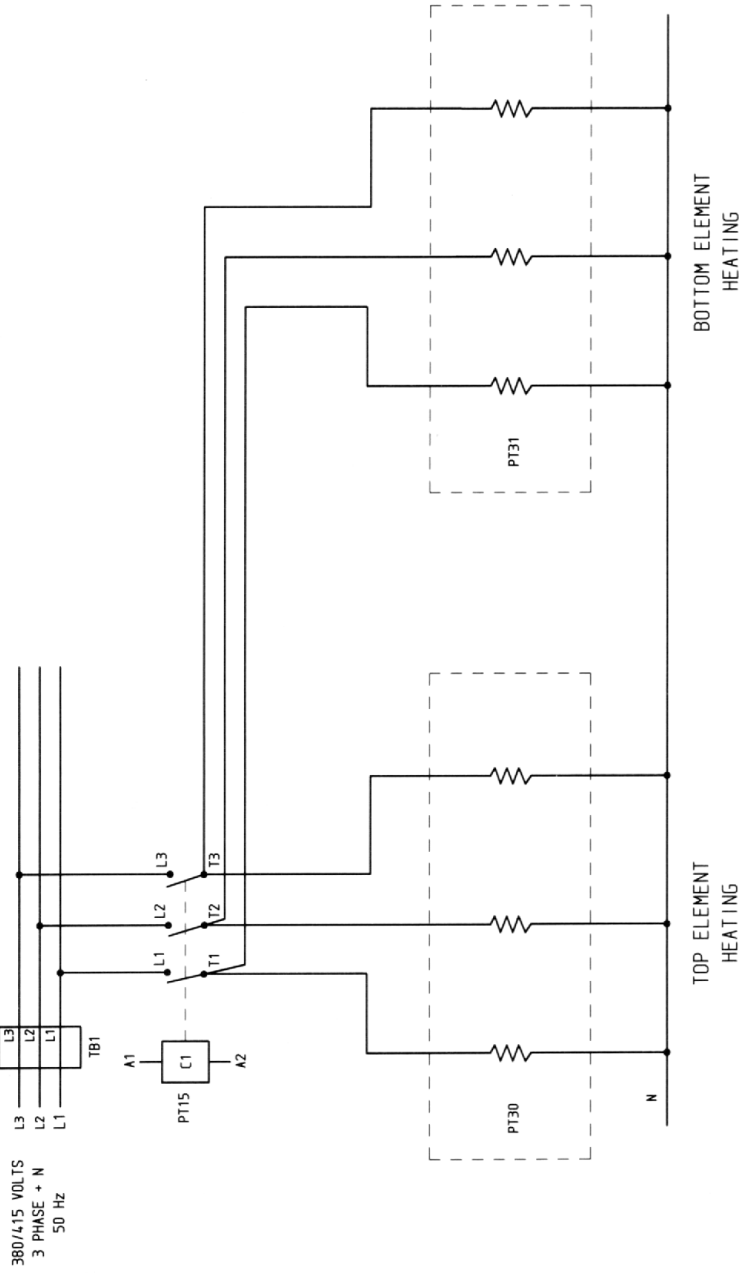
**DATE:**  
 3/2/00

**DRAWING NO.:**  
 M150E25-03200

COPYRIGHT © 1998 - THIS DESIGN/DRAWING IS THE PROPERTY OF MONO EQUIPMENT LTD. AND MUST NOT BE REPRODUCED. COPIED.  
 NOR ITS CONTENTS DIVULGED WITHOUT PRIOR WRITTEN PERMISSION.



IF IN ANY DOUBT - ASK

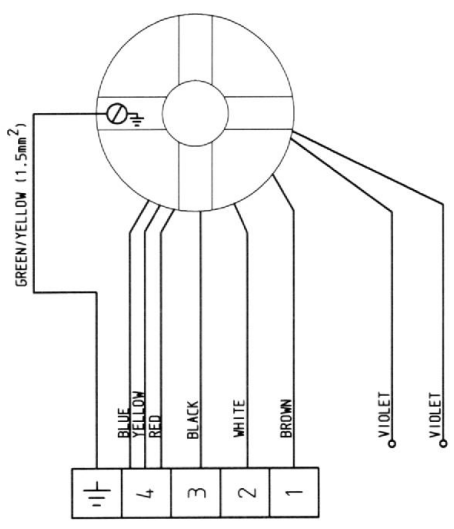


REV	SIG	DATE	REVISION	ECN NO.
A		22-2-07	PT21 & PT22 0/HEAT THERMOSTATS REMOVED	2946
<b>MONO EQUIPMENT</b> QUEENSWAY SWANSEA WEST IND PARK SWANSEA, SA5 4EB SAS 4EB TEL: (01792) 561234 FAX: (01792) 561016				
<b>MONO</b>			TITLE: HEATING POWER CIRCUIT DIAGRAM 10 TRAY OVEN MK11	
ELECTRICAL SPECIFICATIONS:- 380/415V 3 PHASE+N 50HZ			DRAWN: A.L.W. ELECTRICALLY APPROVED BY:- P.BOYLES	
			DATE: 3/2/00 DRAWING NO. M150E25-03300	
			REV: A	

COPYRIGHT © 1998 - THIS DESIGN/DRAWING IS THE PROPERTY OF MONO EQUIPMENT LTD. AND MUST NOT BE REPRODUCED, COPIED, NOR ITS CONTENTS DIVULGED WITHOUT PRIOR WRITTEN PERMISSION.

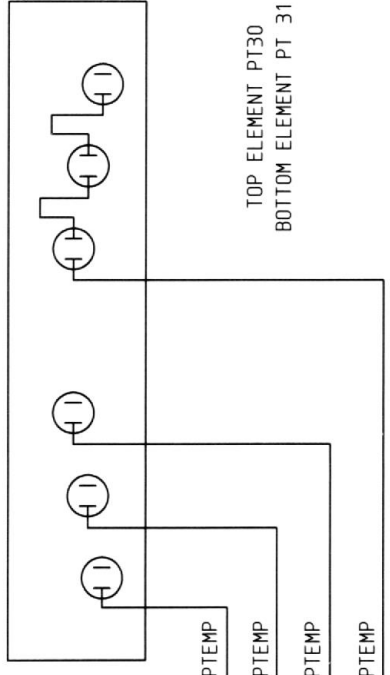


IF IN ANY DOUBT - ASK

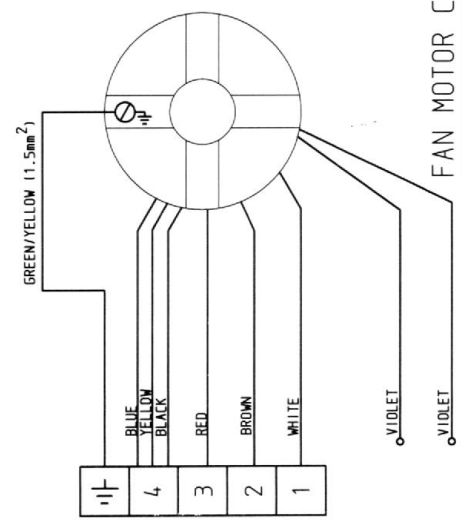


TOP MOTOR PT 18  
CLOCKWISE DIRECTION WHEN  
VIEWED FROM FRONT OF OVEN

L1	1.5 mm <sup>2</sup> PTEMP
L2	1.5 mm <sup>2</sup> PTEMP
L3	1.5 mm <sup>2</sup> PTEMP
N	1.5 mm <sup>2</sup> PTEMP



HEATING ELEMENT WIRING



BOTTOM MOTOR PT 19  
ANTI-CLOCKWISE DIRECTION WHEN  
VIEWED FROM FRONT OF OVEN

FAN MOTOR CONNECTIONS

REV	SIG	DATE	REVISION	ECN NO.
			FAN MOTOR CONNECTIONS & HEATING ELEMENT WIRING 10 TRAY OVEN	

<b>MONO EQUIPMENT</b> QUEENSWAY SWANSEA WEST IND PARK SWANSEA, SA5 4EB. TEL: (01792) 861034 FAX: (01792) 861016		TITLE: FAN MOTOR CONNECTIONS & HEATING ELEMENT WIRING 10 TRAY OVEN
ELECTRICAL SPECIFICATIONS:- 380/415V 3PH+N 50Hz		DRAWN: A.L.W. ELECTRICALLY APPROVED BY:- P. BOYLES
DATE: 3/2/00		DRAWING NO. M150E25-03400
		REV: -

COPYRIGHT © 1998 - THIS DESIGN/DRAWING IS THE PROPERTY OF MONO EQUIPMENT LTD. AND MUST NOT BE REPRODUCED, COPIED, NOR ITS CONTENTS DIVULGED WITHOUT PRIOR WRITTEN PERMISSION.



## **FG156**

## **2 TRAY**

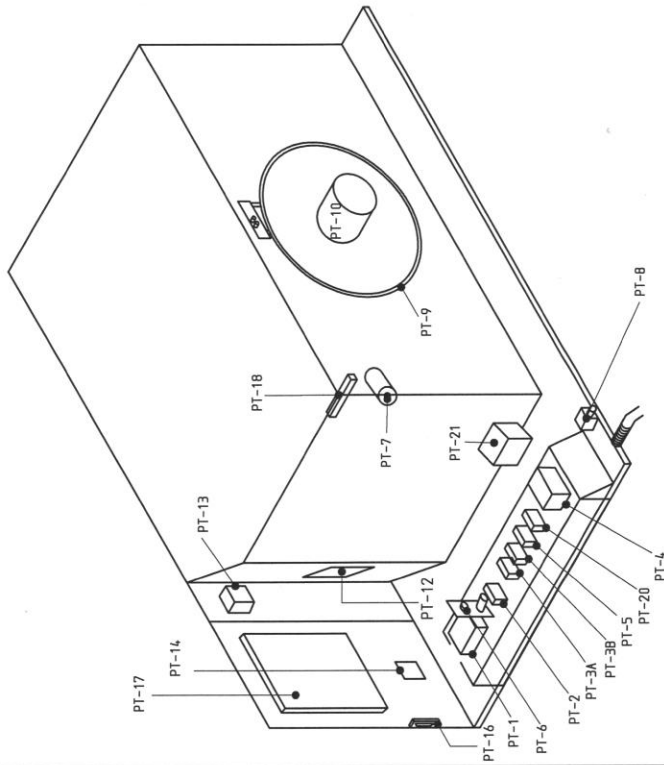
M156E25-13200	COMPONENTS
M156E25-13000	CONTROL AND POWER CIRCUIT
M156E25-13300	PCB CONNECTIONS
M156E25-13400	PCB OUTPUTS

**FOR ENGINEERS USE ONLY.  
DO NOT ATTEMPT ANY ALTERATIONS.  
IF IN DOUBT, CONTACT MONO FOR ADVICE**

# **SECTION 2**



IF IN ANY DOUBT - ASK

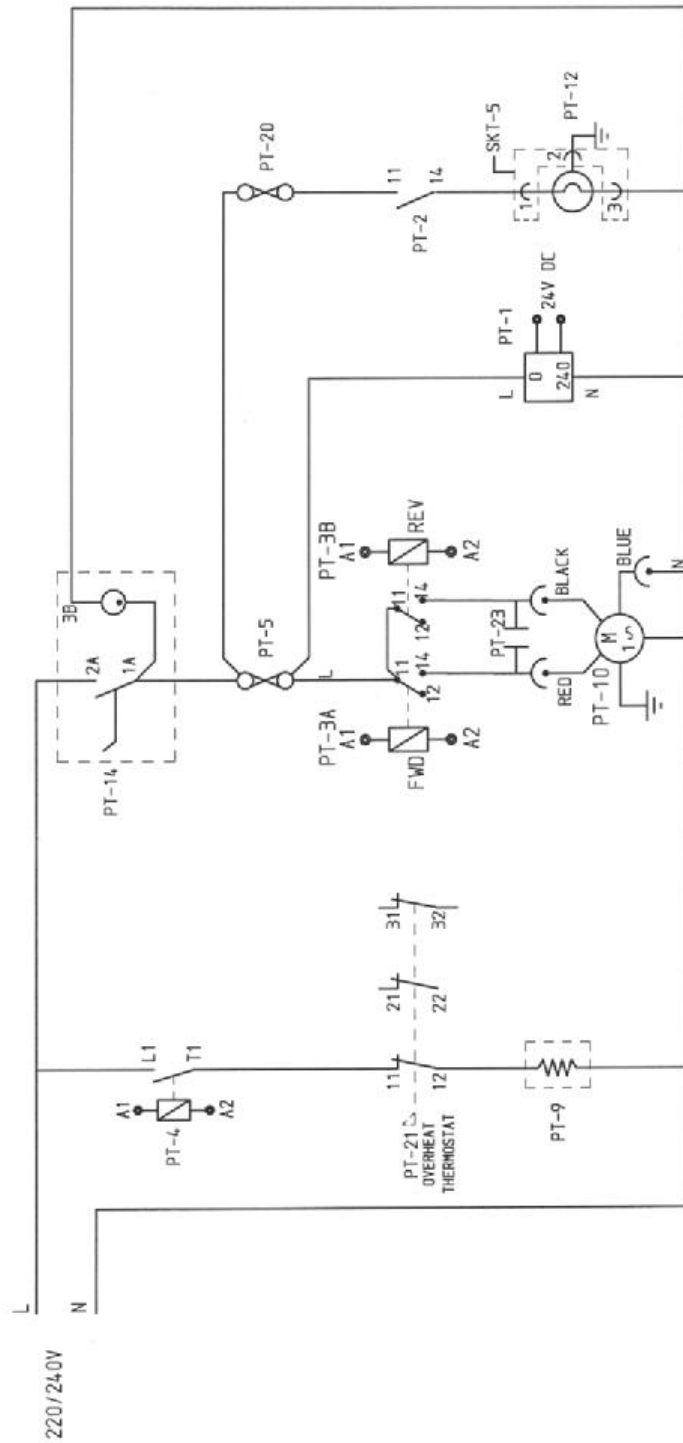


DRAWING PT-Ref	DESCRIPTION	MONO PART NUMBER
PT-1	24V DC POWER SUPPLY	B801-93-005
PT-2	INTERNAL LIGHT RELAY	B723-37-021
PT-3A	FAN MOTOR RELAY	B723-37-021
PT-3B	FAN MOTOR RELAY	B723-37-021
PT-4	HEATING ELEMENT CONTACTOR	3801-08-021
PT-5	CONTROL FUSE	B842-85-039
PT-6	BUZZER	B982-92-001
PT-7	DAMPER SOLENOID	B749-83-003
PT-8	2T WATER INLET ASSY	156-37-00400
* PT-9	(240V) HEATING ELEMENT	B854-04-117
PT-10	FAN MOTOR	B720-74-004
PT-12a	INTERIOR LIGHT UNIT	B721-67-011
PT-12b	INTERIOR LIGHT BULB (HAL)	B857-94-007
PT-13	DOOR SWITCH	B842-07-023
PT-14	ON/OFF SWITCH	B836-07-004
PT-16	DATA LINK SOCKET LEAD	B705-25-005
PT-17a	PCB ASSEMBLY	M156-25-14000
PT-18	OVEN THERMOCOUPLE	B873-95-002
PT-20	INTERIOR LIGHT FUSE	B842-85-042
PT-21	OVERHEAT THERMOSTAT	B888-30-014
PT-23	CAPACITOR	B720-23-003

REV	SIG	DATE	REVISION	ECN NO.
<p><b>MONO EQUIPMENT</b>                  1000 SWANSEA WEST IND PARK                  SWANSEA,                  SAG 4EB.                  TEL: (01792) 891234                  FAX: (01792) 891016</p>				
<p><b>MONO</b></p>			<p>TITLE: ELECTRICAL COMPONENTS LAYOUT                  2 TRAY 1 PHASE COLOUR                  TWO-WAY FAN</p>	
<p>ELECTRICAL SPECIFICATIONS:                  220/240V                  1 PHASE</p>			<p>DRAWN: JC/RAC                  DATE: 70809                  DRAWING NO: M156E25-13200                  REV: --</p>	
<p>MONO EQUIPMENT IS THE PROPERTY OF MONO EQUIPMENT LTD. AND MUST NOT BE REPRODUCED, COPIED, NOR ITS CONTENTS DIVULGED WITHOUT PRIOR WRITTEN PERMISSION.</p>				



IF IN ANY DOUBT - ASK

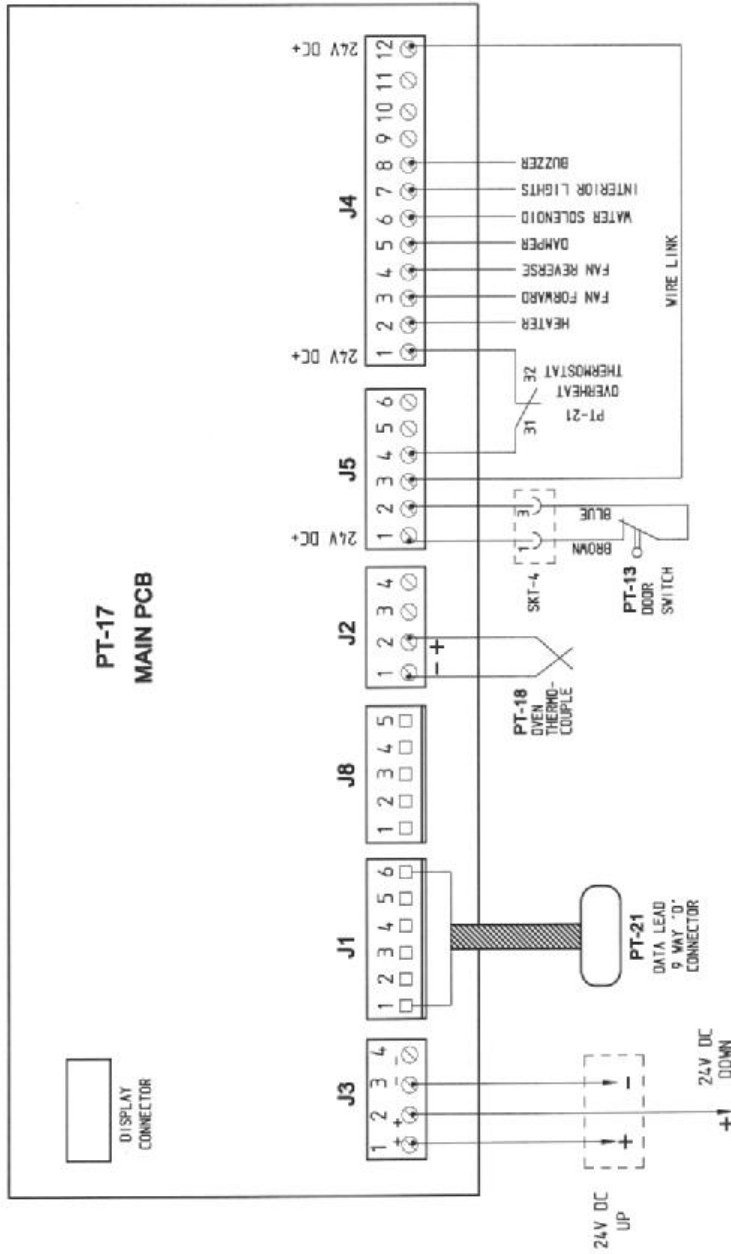


REV	SIG	DATE	REVISION	ECN NO.
<p><b>MONO EQUIPMENT</b>                  QUEENSWAY                  SWANSEA WEST IND PARK                  SWANSEA                  SA5 4EB.                  TEL: (01792) 861234                  FAX: (01792) 261010</p>			<p>TITLE:                  CONTROL &amp; POWER CIRCUIT DIAGRAM                  FOR 220/240V 1 PHASE 2 TRAY                  2 WAY FAN</p>	
<p>ELECTRICAL SPECIFICATIONS:-                  220/240V                  1 PHASE</p>			<p>DRAWN:                  RAC</p>	
<p>220/240V                  1 PHASE</p>			<p>ELECTRICALLY APPROVED BY:-                  A. THOMAS</p>	
<p>DATE: 28-7-09</p>			<p>DRAWING NO. M156E25-13000</p>	
<p>REV: ---</p>			<p>REV: ---</p>	

COPYRIGHT © 1998 - THIS DESIGN/DRAWING IS THE PROPERTY OF MONO EQUIPMENT LTD. AND MUST NOT BE REPRODUCED, COPIED, NOR ITS CONTENTS DIVULGED WITHOUT PRIOR WRITTEN PERMISSION.

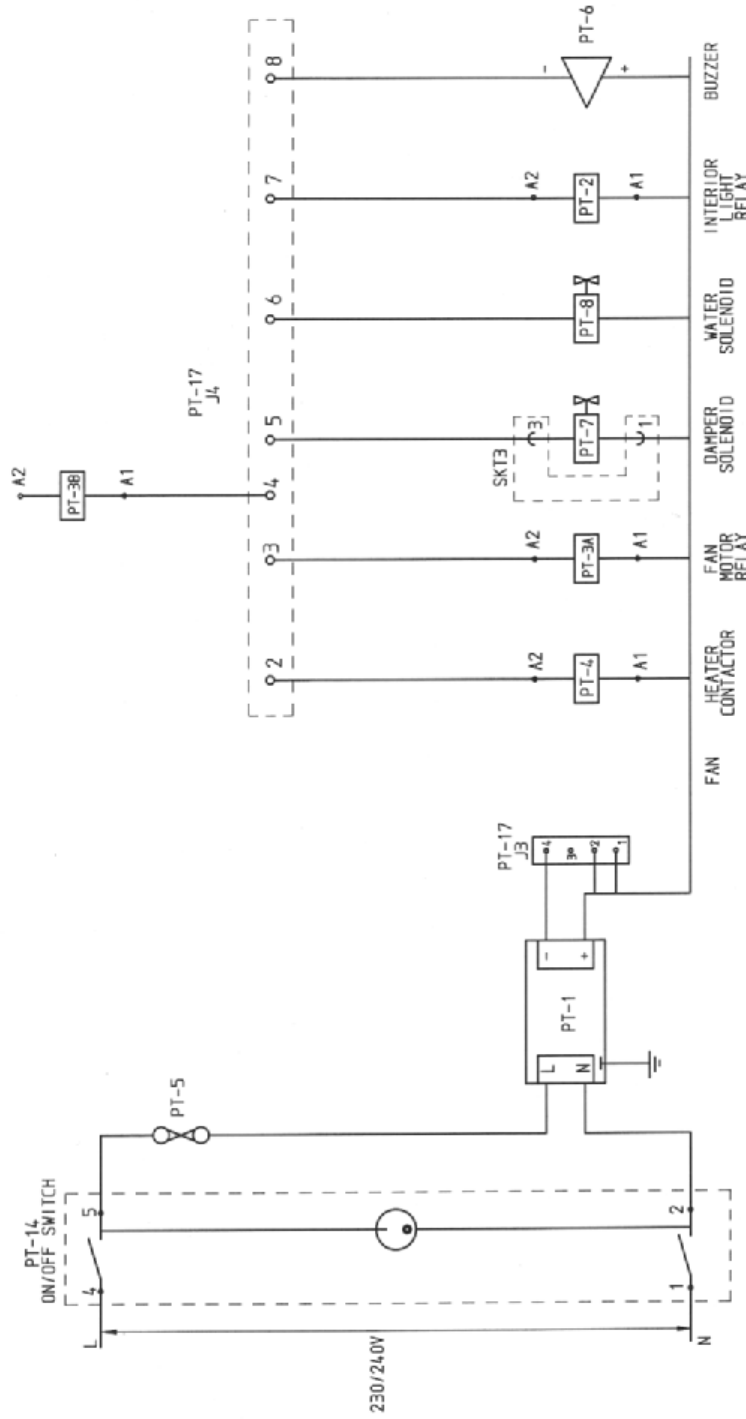


IF IN ANY DOUBT - ASK



REV	SIG	DATE	REVISION	ECN NO.
		<b>TITLE:</b> BXC 2 COLOUR PCB CONNECTIONS TWO-WAY FAN		
MONO EQUIPMENT QUEENSWAY SWANSEA WEST IND PARK SWANSEA, SA5 4EB. TEL: (01792) 861234 FAX: (01792) 861018		<b>DRAWN:</b> JC/RAC		
<b>ELECTRICAL SPECIFICATIONS:-</b>		<b>ELECTRICALLY APPROVED BY:-</b> AT		
COPYRIGHT © 1998 - THIS DESIGN/DRAWING IS THE PROPERTY OF MONO EQUIPMENT LTD. AND MUST NOT BE REPRODUCED, COPIED, NOR ITS CONTENTS DIVULGED WITHOUT PRIOR WRITTEN PERMISSION.		<b>DATE:</b> 7-08-09		<b>REV:</b> -
		<b>DRAWING NO</b> M156E25-13300		

IF IN ANY DOUBT - ASK



REV	SIG	DATE	REVISION	ECN NO.
<p><b>MONO EQUIPMENT</b>                  600 WINDWAY                  SWANSEA WEST IND PARK                  SWANSEA,                  SA5 4EB.                  TEL: (01792) 561234                  FAX: (01792) 551016</p>				
<p><b>TITLE:</b>                  P.C.B. OUTPUTS 2 TRAY COLOUR                  TWO-WAY FAN</p>				
<p><b>ELECTRICAL SPECIFICATIONS:-</b>                  DRAWN: RAC                  ELECTRICALLY APPROVED BY:- AT</p>				
<p><b>DATE:</b> 7-08-09  <b>DRAWING NO.</b> M156E25-136.00  <b>REV:</b> --</p>				
<p>COPYRIGHT © 1998 - THIS DESIGN/DRAWING IS THE PROPERTY OF MONO EQUIPMENT LTD. AND MUST NOT BE REPRODUCED, COPIED, NOR ITS CONTENTS DIVULGED WITHOUT PRIOR WRITTEN PERMISSION.</p>				

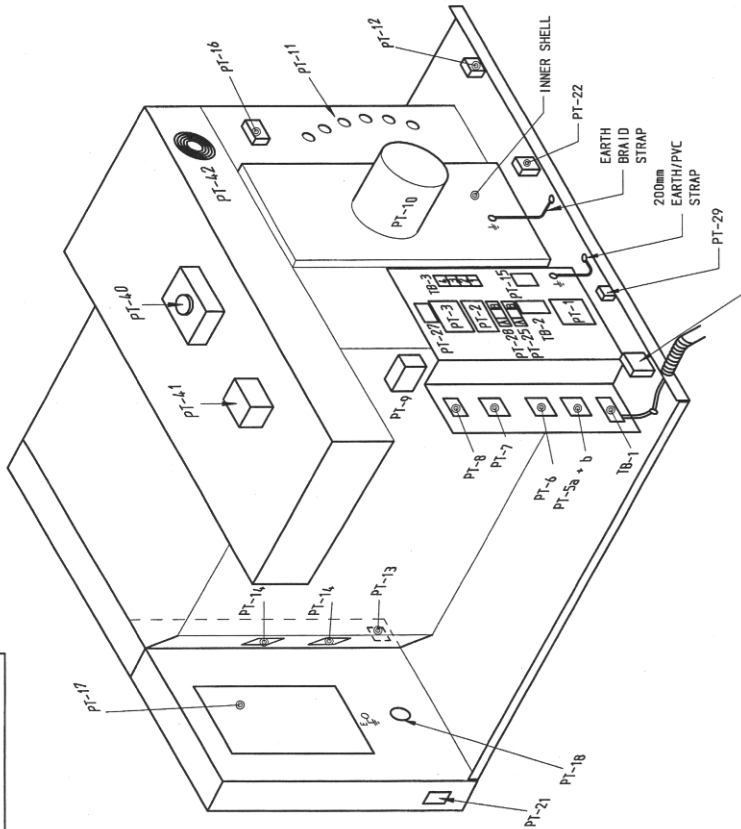
## FG153/158/159      4 TRAY

M159E25-10900	COMPONENTS (159 ONLY)
M159E25-11100	CONTROL CIRCUIT (159 ONLY)
M158E25-20600	COMPONENTS (153/158 ONLY)
M158E25-20700	CONTROL CIRCUIT (153/158 ONLY)
M158E25-21000	PCB CONNECTIONS
M158E25-20800	PCB OUTPUTS
M158E25-01800	POWER CIRCUIT
M158E25-20900	FAN AND ELEMENT WIRING

**FOR ENGINEERS USE ONLY.**  
DO NOT ATTEMPT ANY ALTERATIONS.  
IF IN DOUBT, CONTACT MONO FOR ADVICE

# SECTION 3

IF IN ANY DOUBT - ASK



CONDENSER UNIT IF FITTED  
 I PT-40 THERMOSTAT B842-30-003 I  
 I PT-41 WATER SOLENOID B867-83-011 I  
 I PT-42 FAN B842-75-003 I

DRAWING PT-Ref	DESCRIPTION	MONO PART NUMBER
PT-1	24V DC POWER SUPPLY UNIT	B801-93-005
PT-2a	INTERIOR LIGHT RELAY	B723-37-004
PT-2b	INTERIOR LIGHT RELAY BASE	B723-36-001
PT-3	CONTROL CIRCUIT M.C.B.	B872-22-062
PT-5a	FAN MOTOR OVERLOAD UNIT	B801-03-020
PT-5b	FAN MOTOR OVERLOAD AUXILIARY CONTACT	B801-14-012
PT-6	FAN MOTOR FORWARD CONTACTOR	B801-08-031
PT-7	FAN MOTOR REVERSE CONTACTOR	B801-08-021
PT-8	HEATING ELEMENT CONTACTOR	B801-08-021
PT-9	DAMPER SOLENOID (L/H)	(B749-83-004
PT-10	FAN MOTOR UNIT	B720-74-001
PT-11	HEATING ELEMENT (240V)	B847-04-068
PT-12	HEATING ELEMENT (220V)	B847-04-073
PT-13	4T WATER INLET ASSY	158-17-00400
PT-14	DOOR SWITCH	B842-07-023
PT-14a	INTERIOR LIGHT UNIT	B721-67-011
PT-14b	INTERIOR LIGHT BULB	B857-94-007
PT-15	BUZZER	B723-92-002
PT-16	THERMOCOUPLE	B873-95-002
PT-17	PCB ASSEMBLY	M158-25-14000
PT-18	PUSHBUTTON - GREEN	B836-07-004
PT-19	REAR COOLING FAN	B869-75-018
PT-21	DATA LINK SOCKET-CABLE	B705-25-005
PT-22	OVERHEAT THERMOSTAT	B888-30-014
PT-25	INTERNAL LIGHT FUSE	B842-85-042
PT-27	FAN FUSE	B842-85-025
PT-28	AUX FUSE	B842-85-039
PT-29	AUX SUPPLY SOCKET	B970-06-001

REV	SIG	DATE	REVISION	EGR NO.
F	JC	13-6-05	PT-1 WAS B705-93-006	2483
E	JC	7-4-05	PT-14A WAS B721-67-001	2435
D	JC	22-11-04	PT-18 CHANGED	2329
C	JC	22-11-04	PT-19 WAS B869-75-023	2318
B	JC	29-9-03	SWITCH (PT18) CHANGED	2057
A	JC	22-1-03	PT-27 AND WIRING FOR REAR FAN UNIT ADDED	1927

**MONO EQUIPMENT**  
 QUEENSWAY  
 SWANSEA WEST IND PARK  
 SWANSEA,  
 SA5 4EB.  
 TEL: (01792) 561234  
 FAX: (01792) 961016

**TITLE:** ELECTRICAL COMPONENTS LAYOUT  
 BXC 4-318 OVEN

**DRAWN:** JC

**ELECTRICALLY APPROVED BY:** *[Signature]*

**ELECTRICAL SPECIFICATIONS:**  
 380/415V 3PH 50HZ

**DATE:** 21-03-02

**DRAWING NO.:** M159E25-10900

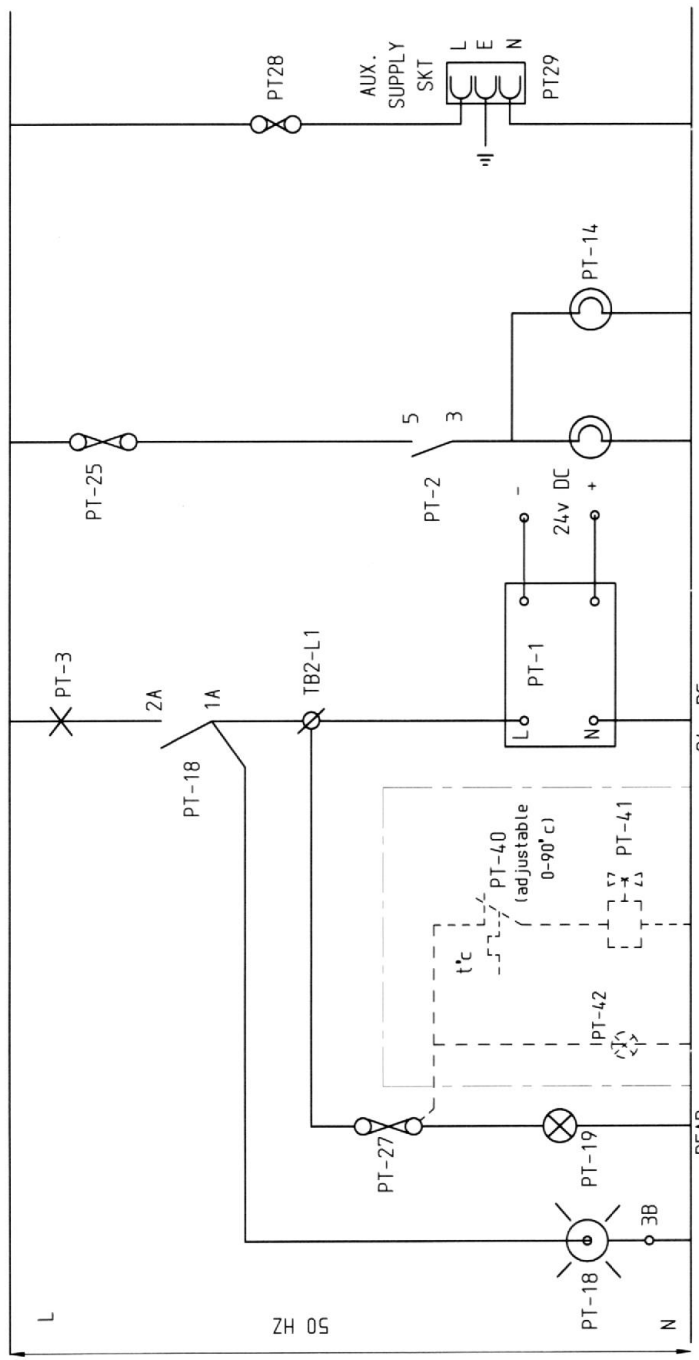
**REV:** 0.

0	RAC 01-04-10	PT14A WAS B721-67-006; PT14B WAS B857-94-004	B15/09
N	RAC 10-2-10	PT17A & B NOW PT17; PT NO CHANGED	3387/09
M	JC 29-01-09	PT13 WAS ASSY 154-25-01200 (B801-11-001)	195/08
L	JC 27-03-07	PT-28 & 29 ADDED	2946
K	JC 30-10-06	PT-9 WAS B749-83-001 & B749-83-002	2868
J	RAC 1-11-05	B801- WAS B859-	2573
I	JC 3-8-05	PT-41 WAS B867-83-002	2530
H	JC 3-8-05	PT-12 WAS B994-83-003	2528
G	JC 27-7-05	PT-16 WAS B873-95-001	2325

COPYRIGHT © 1998 - THIS DESIGN/DRAWING IS THE PROPERTY OF MONO EQUIPMENT LTD. AND MUST NOT BE REPRODUCED, COPIED, NOR ITS CONTENTS DIVULGED WITHOUT PRIOR WRITTEN PERMISSION.



IF IN ANY DOUBT - ASK



REV	SIG	DATE	REVISION	ECN NO.
C	JC	27-03-07	PT-28 & 29 ADDED	2946
B	JC	22-11-04	PT-18 CHANGED	2329
A	JC	29-9-03	SWITCH (PT18) CHANGED	2057

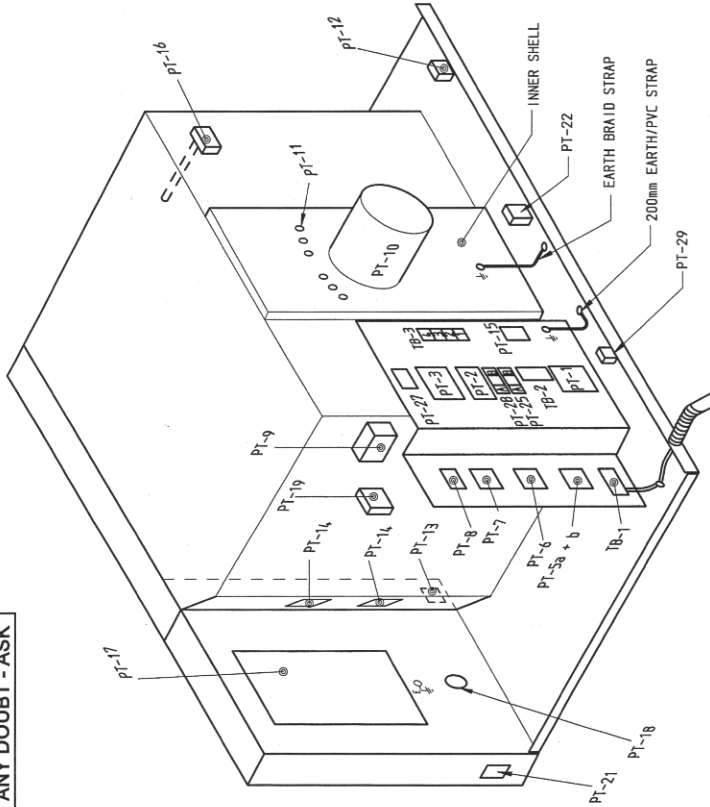
<b>MONO EQUIPMENT</b> QUEENSWAY SWANSEA WEST IND PARK SWANSEA, SA5 4EB. TEL: (01792) 561234 FAX: (01792) 561016		<b>TITLE:</b> BXC 4 TRAY OVEN CONTROL CIRCUIT (WITH CONDENSER IF FITTED)
<b>ELECTRICAL SPECIFICATIONS:-</b>		<b>DRAWN:</b> JC <b>ELECTRICALLY APPROVED BY:-</b> P. BOYLES
<b>DATE:</b> 27-1-03		<b>DRAWING NO.:</b> M159E25-11100
<b>REV.:</b> C		<b>ECN NO.:</b> 2946

COPYRIGHT © 1998 - THIS DESIGN/DRAWING IS THE PROPERTY OF MONO EQUIPMENT LTD., AND MUST NOT BE REPRODUCED, COPIED, NOR ITS CONTENTS DIVULGED WITHOUT PRIOR WRITTEN PERMISSION.





IF IN ANY DOUBT - ASK



DRAWING	DESCRIPTION	MONO
PT-Ref		PART NUMBER
PT-1	24V DC POWER SUPPLY UNIT	B801-93-005
PT-2a	INTERIOR LIGHT RELAY	B723-37-004
PT-2b	INTERIOR LIGHT RELAY BASE	B723-36-001
PT-3	CONTROL CIRCUIT M.C.B.	B872-22-062
PT-5a	FAN MOTOR OVERLOAD UNIT	B801-03-020
PT-5b	FAN MOTOR OVERLOAD AUXILIARY CONTACT	B801-14-012
PT-6	FAN MOTOR FORWARD CONTACTOR	B801-08-031
PT-7	FAN MOTOR REVERSE CONTACTOR	B801-08-031
PT-8	HEATING ELEMENT CONTACTOR	B801-08-021
PT-9	DAMPER SOLENOID (L/H)	B749-83-003
PT-9	DAMPER SOLENOID (R/H)	B749-83-004
PT-10	FAN MOTOR UNIT	B720-74-001
PT-11	HEATING ELEMENT (240V)	B847-04-067
PT-11	HEATING ELEMENT (220V)	B847-04-074
PT-12	LT WATER INLET ASSY	158-17-00400
PT-13	DOOR SWITCH	B842-07-023
PT-14a	INTERIOR LIGHT UNIT	B721-67-011
PT-14b	INTERIOR LIGHT BULB	B857-94-007
PT-15	BUZZER	B723-92-002
PT-16	THERMOCOUPLE	B873-95-002
PT-17	PCB ASSEMBLY	M158-25-14000
PT-18	PUSHBUTTON-GREEN-LATCHING	B836-07-004
PT-19	REAR COOLING FAN	B869-75-018
PT-21	DATA LINK SOCKET-CABLE	B705-25-005
PT-22	OVERHEAT THERMOSTAT	B888-30-014
PT-25	INTERNAL LIGHT FUSE	B842-85-042
PT-27	FAN FUSE	B842-85-025
PT-28	AUX FUSE	B842-85-039
PT-29	AUX SUPPLY SOCKET	B970-06-001

REV	SIG	DATE	REVISION	ECN NO.
N	RAC	01-04-10	PT114A WAS B721-67-006; PT14B WAS B857-94-004	315/09
M	RAC	10-2-10	PT17A & B NOW PT17 & PT NO CHANGE	338/09
L	JC	29-01-09	PT13 WAS ASSY 154-25-01200 (B801-11-001)	195/08
K	JC	27-03-07	PT-28 & 29 ADDED	2946
J	JC	30-10-06	PT-9 WAS B749-83-001 & B749-83-002	2868
I	RAC	1-11-05	B801- WAS B859-	2573
H	JC	3-8-05	PT-12 WAS B994-83-003	2528
G	JC	27-7-05	PT-16 WAS B873-95-001	2525
F	JC	13-6-05	PT-1 WAS B705-93-006	2483
E	JC	7-4-05	PT-14A WAS B721-67-001	2435
D	JC	22-11-04	PT-18 CHANGED	2329
C	JC	22-11-04	PT-19 WAS B869-75-023	2318
B	JC	25-9-03	SWITCH (PT-18) CHANGED	2057
A	JC	22-1-03	PT-27 AND WIRING FOR REAR FAN UNIT ADDED	1927
REV	SIG	DATE	REVISION	ECN NO.

MONO EQUIPMENT  
 SWANSEA WEST IND PARK  
 SWANSEA  
 SA5 4EB.  
 TEL: (01782) 561234  
 FAX: (01782) 561016

TITLE: ELECTRICAL COMPONENTS LAYOUT  
 BXC 4 TRAY OVEN

DRAWN: JC  
 ELECTRICALLY APPROVED BY: *[Signature]*

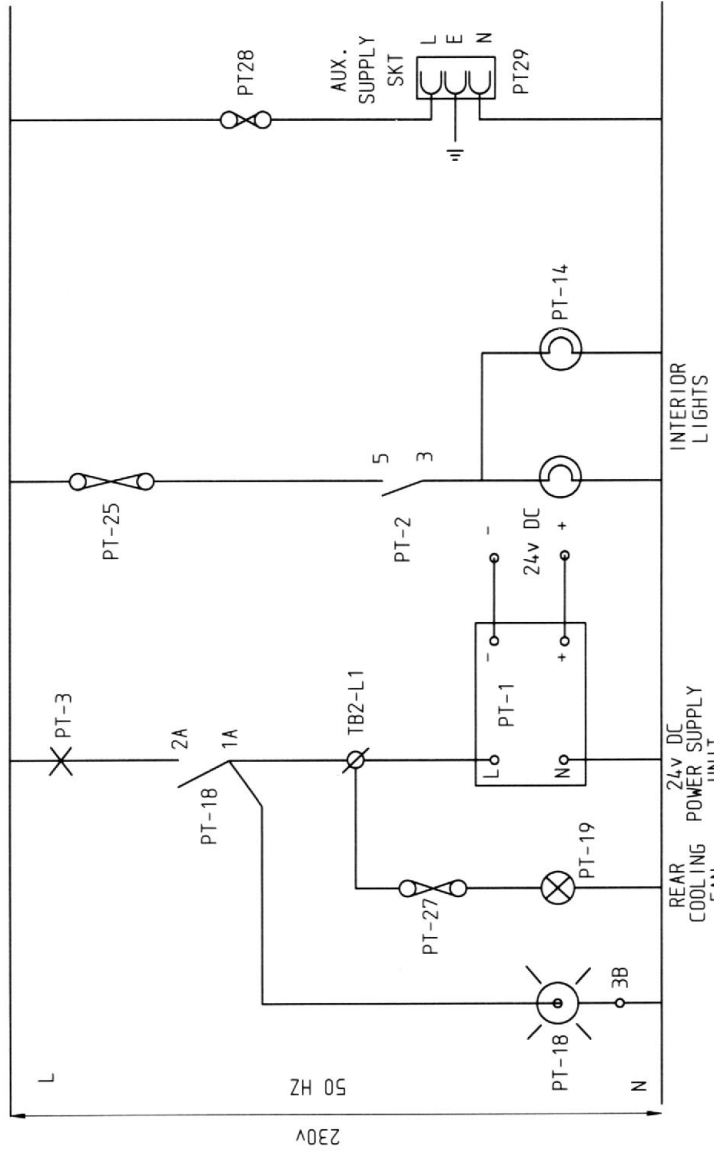
ELECTRICAL SPECIFICATIONS:-  
 380/415V 3PH 50HZ

DATE: 3-1-02  
 DRAWING NO. M158E25-20600  
 REV: N

COPYRIGHT © 1998 - THIS DESIGN/DRAWING IS THE PROPERTY OF MONO EQUIPMENT LTD. AND MUST NOT BE REPRODUCED, COPIED, NOR ITS CONTENTS DIVULGED WITHOUT PRIOR WRITTEN PERMISSION.



IF IN ANY DOUBT - ASK



REV	SIG	DATE	REVISION	ECN NO.
D	JC	27-03-07	PT-28 & 29 ADDED	2946
C	JC	22-11-04	PT-18 CHANGED	2329
B	JC	25-9-03	SWITCH (PT-18) CHANGED	2057
A	JC	22-1-03	ADD WIRING FOR REAR FAN UNIT	1927

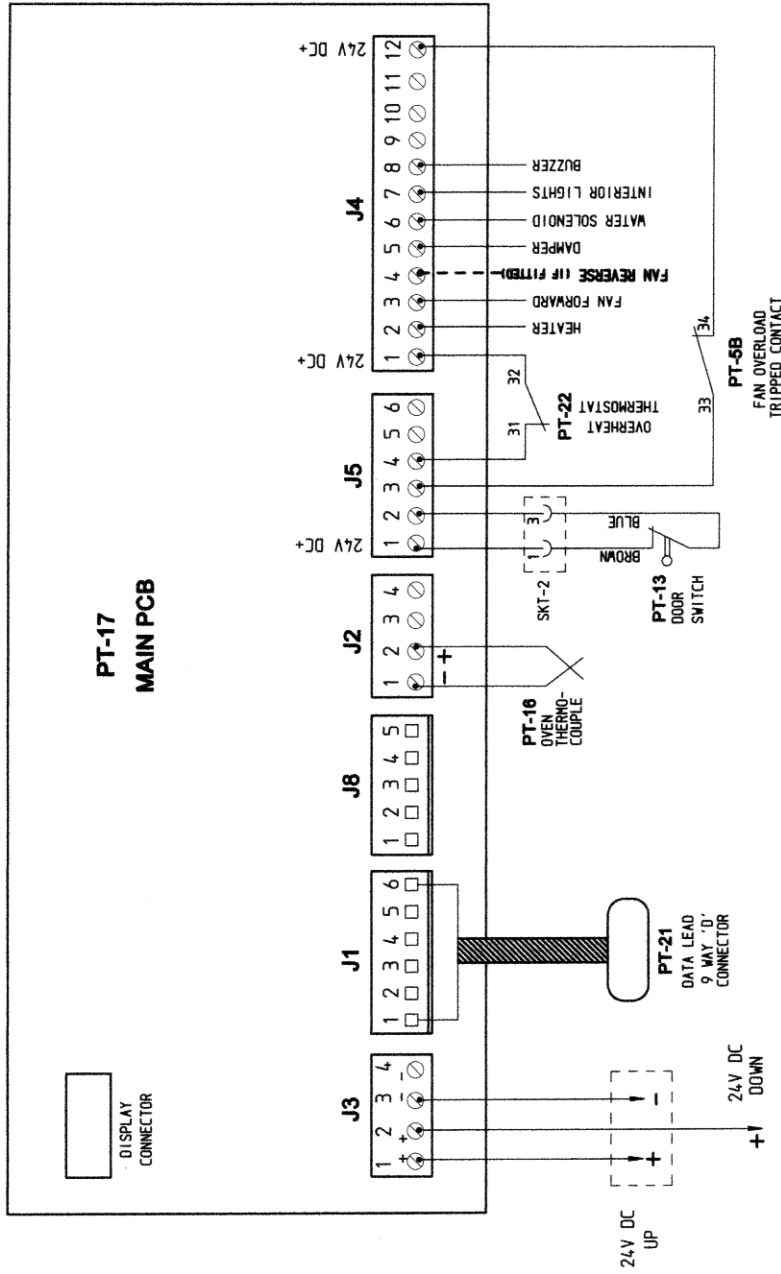
**MONO EQUIPMENT**  
 QUEENSWAY  
 SWANSEA WEST IND PARK  
 SWANSEA,  
 SA5 4EB.  
 TEL: (01792) 561234  
 FAX: (01792) 561016

TITLE: BX 4 TRAY OVEN CONTROL CIRCUIT  
 DRAWN: JC  
 ELECTRICALLY APPROVED BY: P. BOYLES  
 DATE: 14/12/01  
 DRAWING NO: M158E25-20700  
 REV: D

COPYRIGHT © 1998 - THIS DESIGN/DRAWING IS THE PROPERTY OF MONO EQUIPMENT LTD. AND MUST NOT BE REPRODUCED, COPIED, NOR ITS CONTENTS DIVULGED WITHOUT PRIOR WRITTEN PERMISSION.



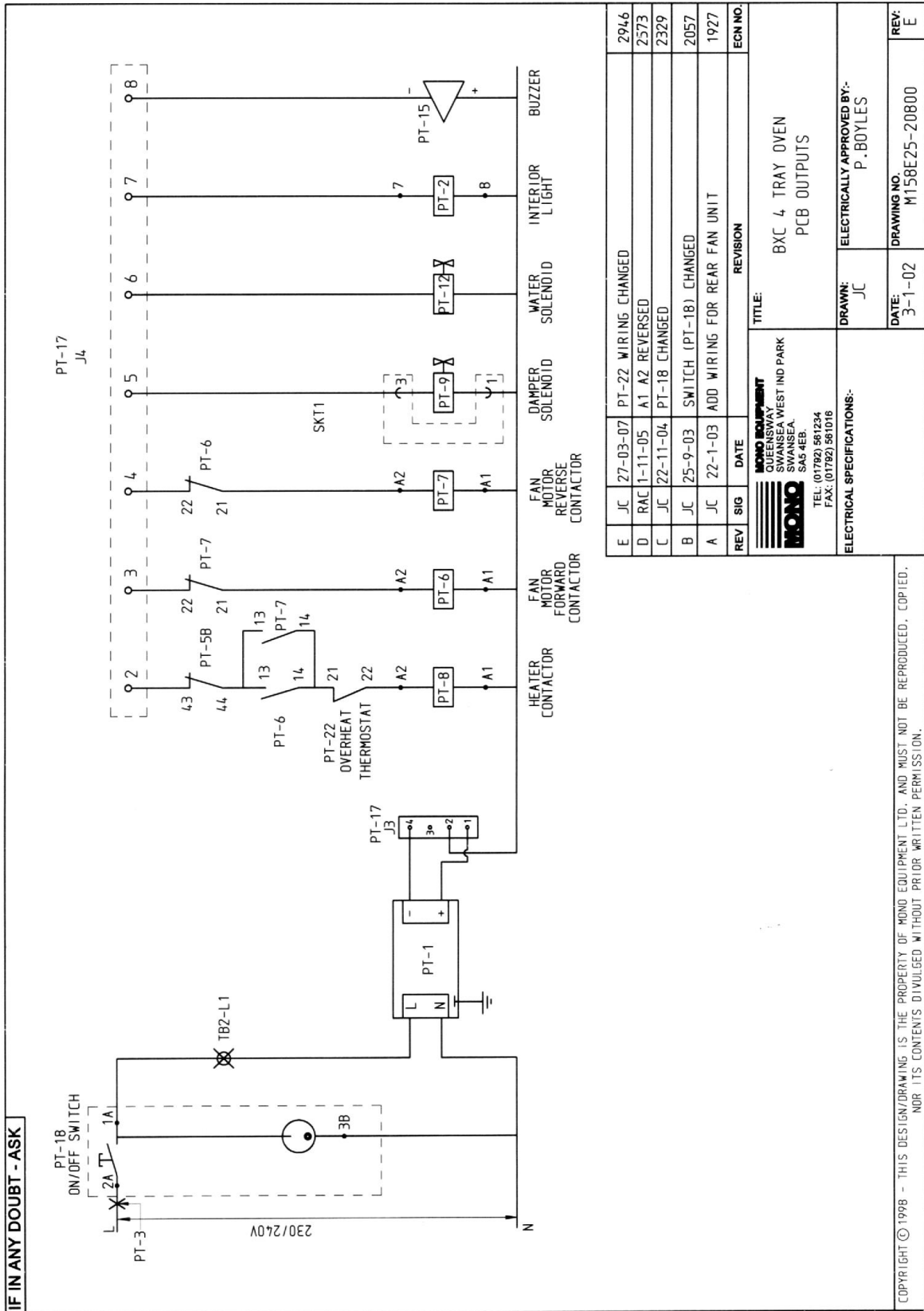
IF IN ANY DOUBT - ASK



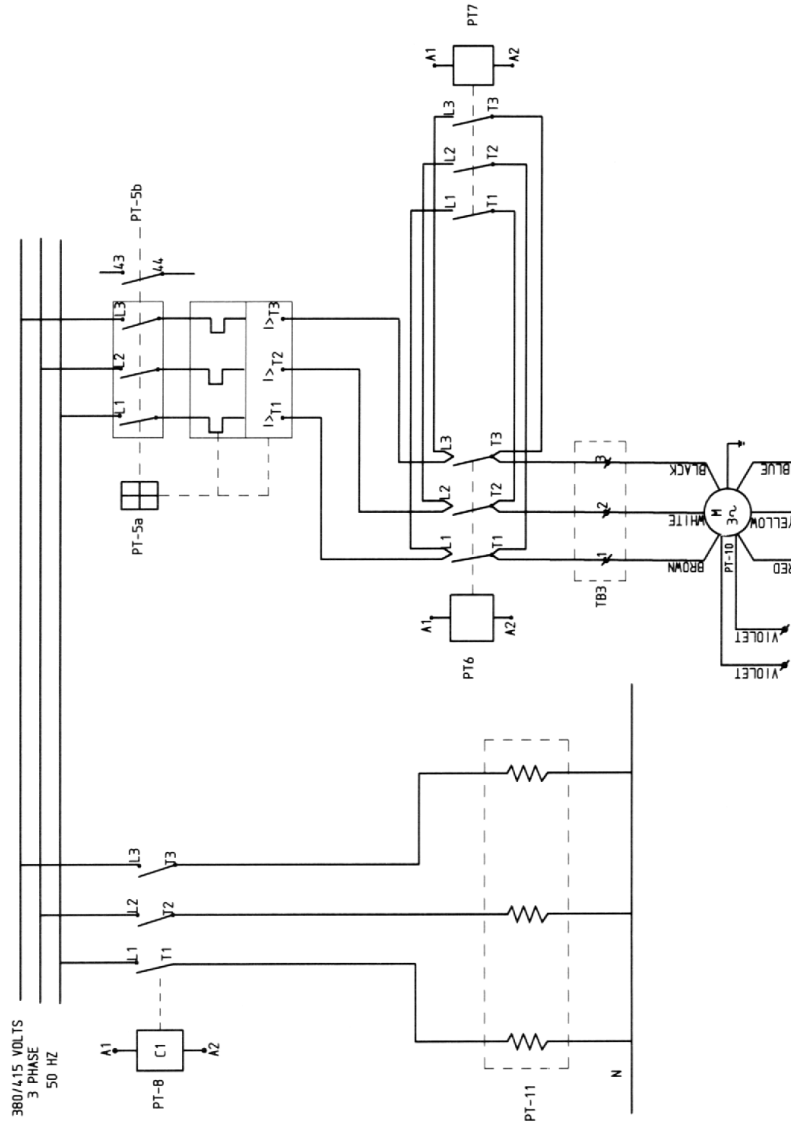
REV	SIG	DATE	REVISION	ECN NO.
<p><b>MONO EQUIPMENT</b>                  MONO EQUIPMENT                  SWANSEA WEST IND PARK                  SWANSEA,                  SA5 4EB.                  TEL: (01782) 561234                  FAX: (01782) 561016</p>				
ELECTRICAL SPECIFICATIONS:-			ELECTRICALLY APPROVED BY:-	
3PH & 1PH			A. THOMAS	
DRAWN: JC			DRAWING NO. M158E25-21000	
DATE: 6-6-06			REV: -	
TITLE: BXC 4 TRAY OVEN PCB CONNECTIONS				

COPYRIGHT © 1998 - THIS DESIGN/DRAWING IS THE PROPERTY OF MONO EQUIPMENT LTD. AND MUST NOT BE REPRODUCED, COPIED, NOR ITS CONTENTS DIVULGED WITHOUT PRIOR WRITTEN PERMISSION.





IF IN ANY DOUBT - ASK

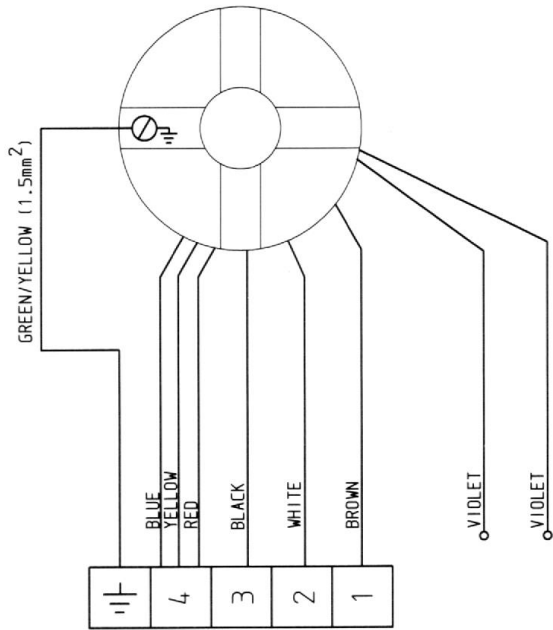


REV	SIG	DATE	REVISION	ECN NO.
A	JC	27-03-07	PT-22 REMOVED	2946
<p><b>MONO EQUIPMENT</b>          15 SWANSEA WEST IND PARK          SWANSEA SA5 4EB.          TEL: (01792) 561234          FAX: (01792) 561016</p>				
ELECTRICAL SPECIFICATIONS:-			TITLE: POWER CIRCUIT DIAGRAM 4 TRAY OVEN	
DRAWN: MT			ELECTRICALLY APPROVED BY:- P. BOYLES	
DATE: 29-6-99			DRAWING NO. M158E25-01800	
			REV: A	

COPYRIGHT © 1998 - THIS DESIGN/DRAWING IS THE PROPERTY OF MONO EQUIPMENT LTD. AND MUST NOT BE REPRODUCED, COPIED, NOR ITS CONTENTS DIVULGED WITHOUT PRIOR WRITTEN PERMISSION.

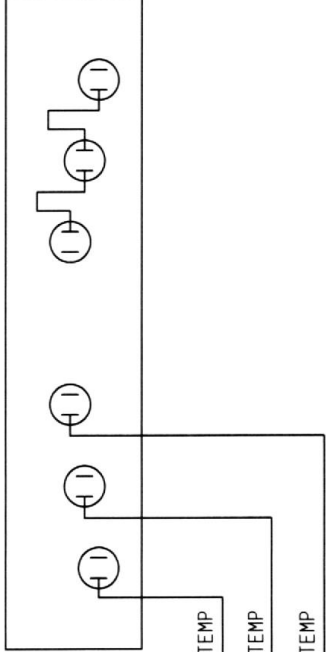


IF IN ANY DOUBT - ASK



FAN MOTOR CONNECTIONS


PT11



- L1 1.5 mm<sup>2</sup> PTEMP
- L2 1.5 mm<sup>2</sup> PTEMP
- L3 1.5 mm<sup>2</sup> PTEMP

HEATING ELEMENT WIRING

COPYRIGHT © 1998 - THIS DESIGN/DRAWING IS THE PROPERTY OF MONO EQUIPMENT LTD. AND MUST NOT BE REPRODUCED, COPIED, NOR ITS CONTENTS DIVULGED WITHOUT PRIOR WRITTEN PERMISSION.

REV	SIG	DATE	REVISION	ECN NO.
			TITLE: FAN MOTOR CONNECTIONS & HEATING ELEMENT WIRING 4 TRAY OVEN / COLOUR DISPLAY	
 <b>MONO EQUIPMENT</b> QUEENSWAY WEST IND PARK SWANSEA, SA5 4EB TEL: (01792) 561234 FAX: (01792) 561016			DRAWN: JC	
ELECTRICAL SPECIFICATIONS:-			ELECTRICALLY APPROVED BY:- P. BOYLES	
415V 3PH 50HZ			DATE: 14-12-01	DRAWING NO: M158E25-20900
				REV: -



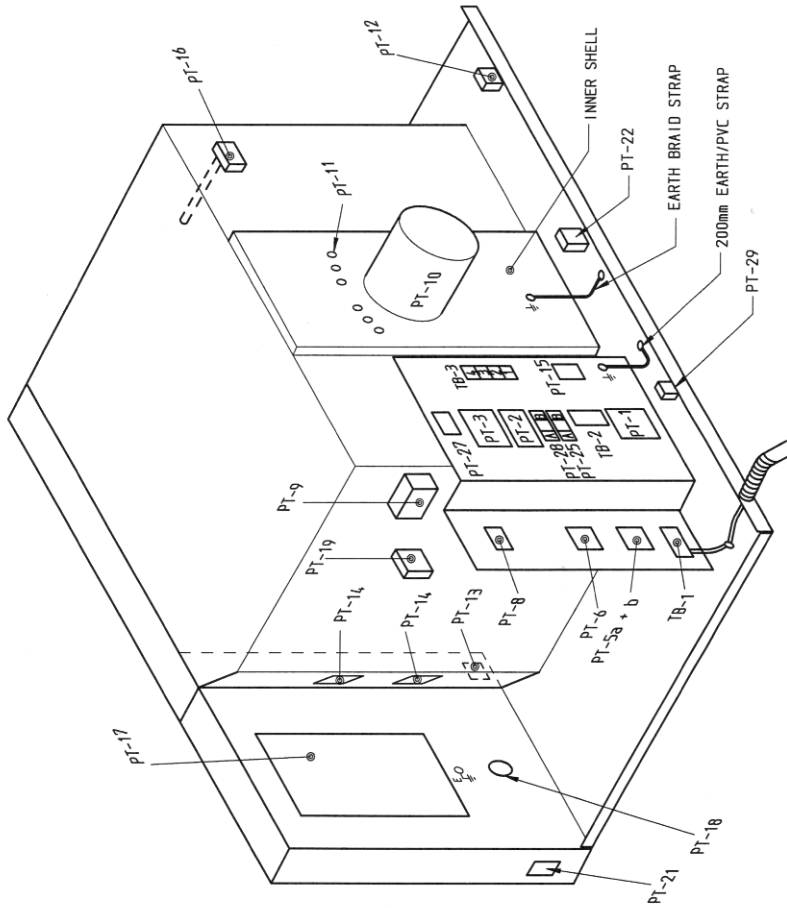
## FG158 4 TRAY 1 phase

M158E25-22500	COMPONENTS
M158E25-21000	PCB CONNECTIONS
M158E25-20700	CONTROL CIRCUIT
M158E25-22600	PCB OUTPUTS
M158E25-51300	POWER CIRCUIT
M158E25-52200	FAN AND ELEMENT WIRING

**FOR ENGINEERS USE ONLY.  
DO NOT ATTEMPT ANY ALTERATIONS.  
IF IN DOUBT, CONTACT MONO FOR ADVICE**

# SECTION 4

IF IN ANY DOUBT - ASK



DRAWING PT-REF	DESCRIPTION	MONO PART NUMBER
PT-1	24V DC POWER SUPPLY UNIT	B801-93-005
PT-2a	INTERIOR LIGHT RELAY	B723-37-004
PT-2b	CONTROL CIRCUIT M.C.B.	B672-22-062
PT-3	FAN MOTOR OVERLOAD UNIT	B801-03-023
PT-5a	FAN MOTOR OVERLOAD AUXILIARY CONTACT	B801-14-012
PT-5b	FAN MOTOR CONTACTOR	B801-08-031
PT-6	HEATING ELEMENT CONTACTOR	B801-08-021
PT-8	DAMPER SOLENOID (L/H)	B749-83-001
PT-9	FAN MOTOR UNIT	B720-74-001
PT-10	HEATING ELEMENT (240V)	B847-04-067
* PT-11	HEATING ELEMENT (220V)	B847-04-074
* PT-12	4T WATER INLET ASSY	158-17-00400
PT-13	DOOR SWITCH	B842-07-023
PT-14a	INTERIOR LIGHT UNIT	B721-67-011
PT-14b	INTERIOR LIGHT BULB	B657-94-007
PT-15	BUZZER	B723-92-002
PT-16	THERMOCOUPLE	B873-95-002
PT-17	PCB ASSEMBLY	M158-25-14000
PT-18	PUSHBUTTON-GREEN-LATCHING	B836-07-004
PT-19	REAR COOLING FAN	B869-75-018
PT-21	DATA LINK SOCKET-CABLE	B705-25-005
PT-22	OVERHEAT THERMOSTAT	B886-30-014
PT-25	INTERNAL LIGHT FUSE	B842-85-042
PT-27	FAN FUSE	B842-85-025
PT-28	AUX FUSE	B842-85-039
PT-29	AUX SUPPLY SOCKET	B970-06-001

REV	SIG	DATE	REVISION	ECN NO.
D	RAC	01-04-10	PT14A WAS B721-67-004; PT14B WAS B857-94-004	B15709
C	RAC	10-2-10	PT17A & B NOW PT17 AND PT NO CHANGED	B38709
B	JC	29-01-09	PT13 WAS ASSY 154-25-01200 (B801-11-001)	195708
A	JC	27-03-07	PT-28 & 29 ADDED	2946

**MONO EQUIPMENT**  
 QUEENSWAY  
 SWANSEA WEST IND PARK  
 SWANSEA,  
 SA6 4EB.  
 TEL: (01792) 861234  
 FAX: (01792) 861016

**MONO**

TITLE:  
 ELECTRICAL COMPONENTS LAYOUT  
 BXC 4 TRAY OVEN

DRAWN:  
 JC

ELECTRICALLY APPROVED BY:-

ELECTRICAL SPECIFICATIONS:-  
 230V 1PH 50HZ

DATE:  
 6-6-06

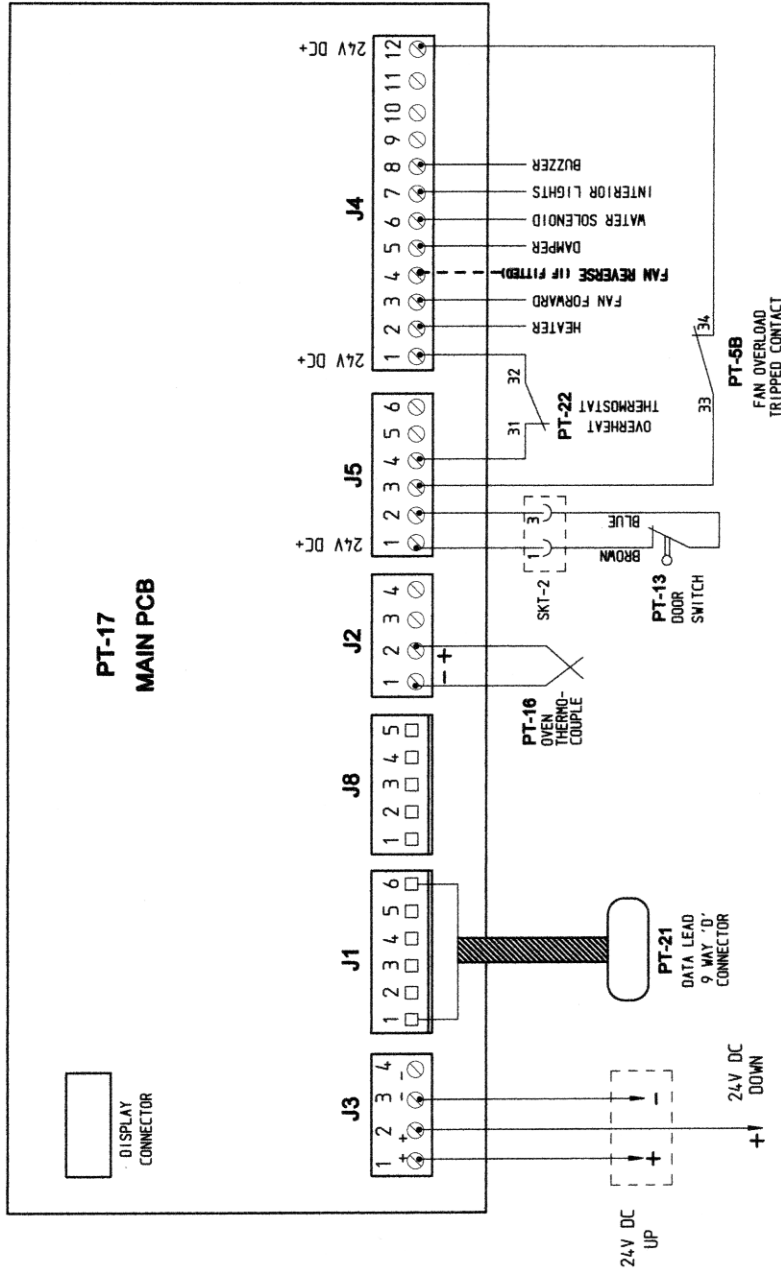
DRAWING NO.  
 M158E25-22500

REV:  
 D

COPYRIGHT © 1998 - THIS DESIGN/DRAWING IS THE PROPERTY OF MONO EQUIPMENT LTD. AND MUST NOT BE REPRODUCED, COPIED, NOR ITS CONTENTS DIVULGED WITHOUT PRIOR WRITTEN PERMISSION.



IF IN ANY DOUBT - ASK



**PT-17  
MAIN PCB**

REV	SIG	DATE	REVISION	ECN NO.

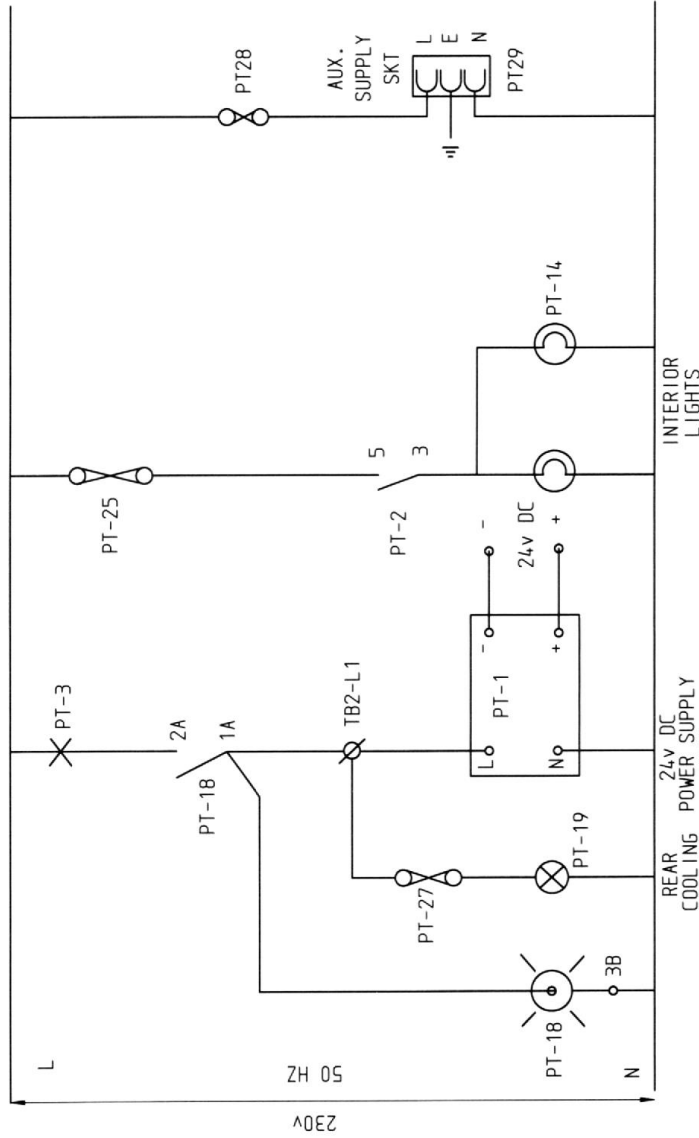
<p><b>MONO</b> MONO BRAY 100 SWANSEA WEST IND PARK SWANSEA, SA5 4EB. TEL: (01782) 561234 FAX: (01782) 561016</p>	<p><b>TITLE:</b> BXC 4 TRAY OVEN PCB CONNECTIONS</p>
<p><b>ELECTRICAL SPECIFICATIONS:-</b> 3PH &amp; 1PH</p>	<p><b>DRAWN:</b> JC <b>DATE:</b> 6-6-06</p>
<p><b>ELECTRICALLY APPROVED BY:-</b> A. THOMAS</p>	<p><b>DRAWING NO:</b> M158E25-21000 <b>REV:</b> —</p>

COPYRIGHT © 1998 - THIS DESIGN/DRAWING IS THE PROPERTY OF MONO EQUIPMENT LTD. AND MUST NOT BE REPRODUCED, COPIED, NOR ITS CONTENTS DIVULGED WITHOUT PRIOR WRITTEN PERMISSION.





IF IN ANY DOUBT - ASK



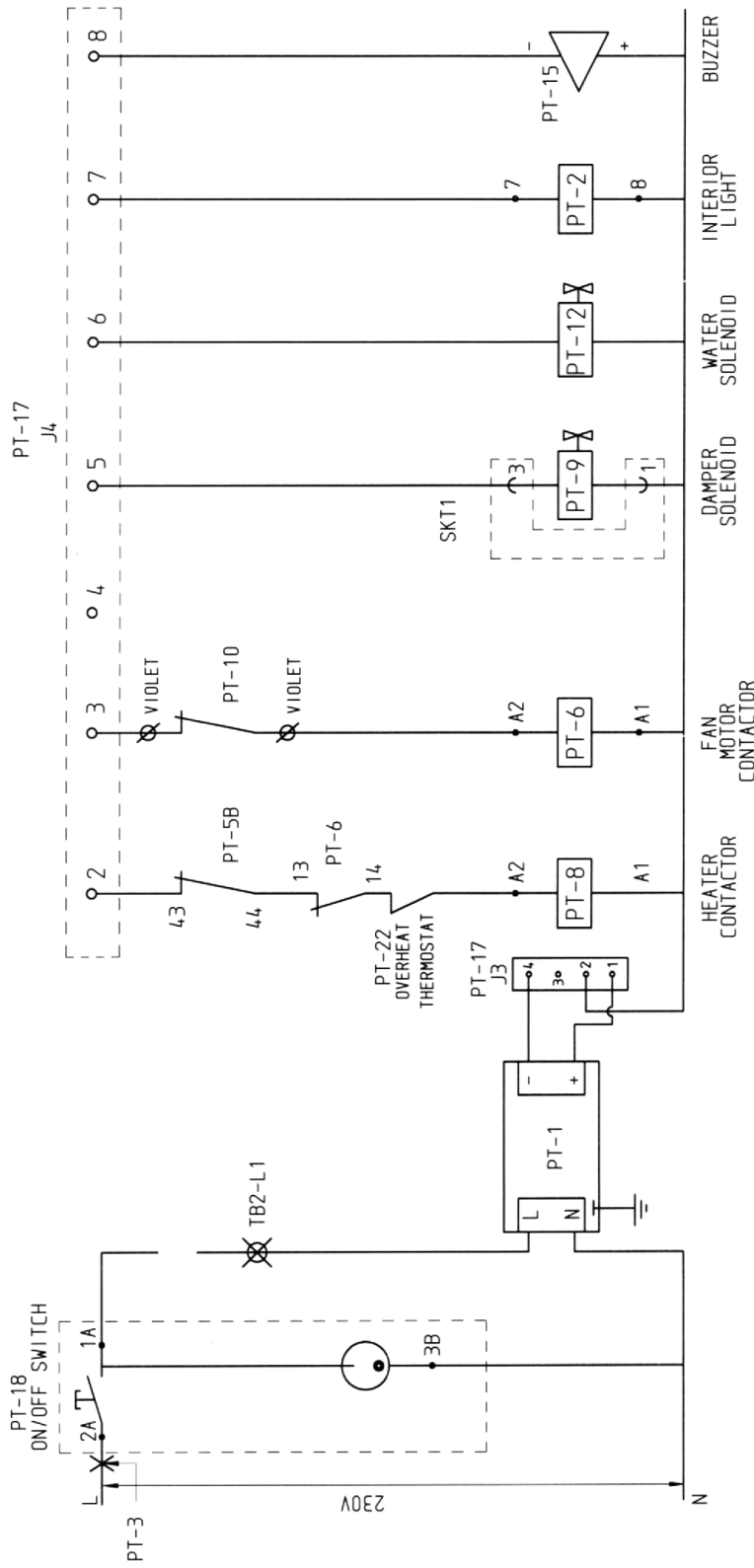
REV	SIG	DATE	REVISION	ECN NO.
D	JC	27-03-07	PT-28 & 29 ADDED	2946
C	JC	22-11-04	PT-18 CHANGED	2329
B	JC	25-9-03	SWITCH (PT-18) CHANGED	2057
A	JC	22-1-03	ADD WIRING FOR REAR FAN UNIT	1927

<b>MONO EQUIPMENT</b> WHEELSWAY SWANSEA WEST IND PARK SWANSEA SA5 4EB TEL: (01792) 561234 FAX: (01792) 561016		TITLE: BX 4 TRAY OVEN CONTROL CIRCUIT
ELECTRICAL SPECIFICATIONS:-		DRAWN: JC
ELECTRICAL SPECIFICATIONS:- MONO EQUIPMENT		ELECTRICALLY APPROVED BY:- P. BOYLES
DATE: 14/12/01		DRAWING NO. M158E25-20700
REV:		REV: D

COPYRIGHT © 1998 - THIS DESIGN/DRAWING IS THE PROPERTY OF MONO EQUIPMENT LTD. AND MUST NOT BE REPRODUCED, COPIED, NOR ITS CONTENTS DIVULGED WITHOUT PRIOR WRITTEN PERMISSION.



IF IN ANY DOUBT - ASK



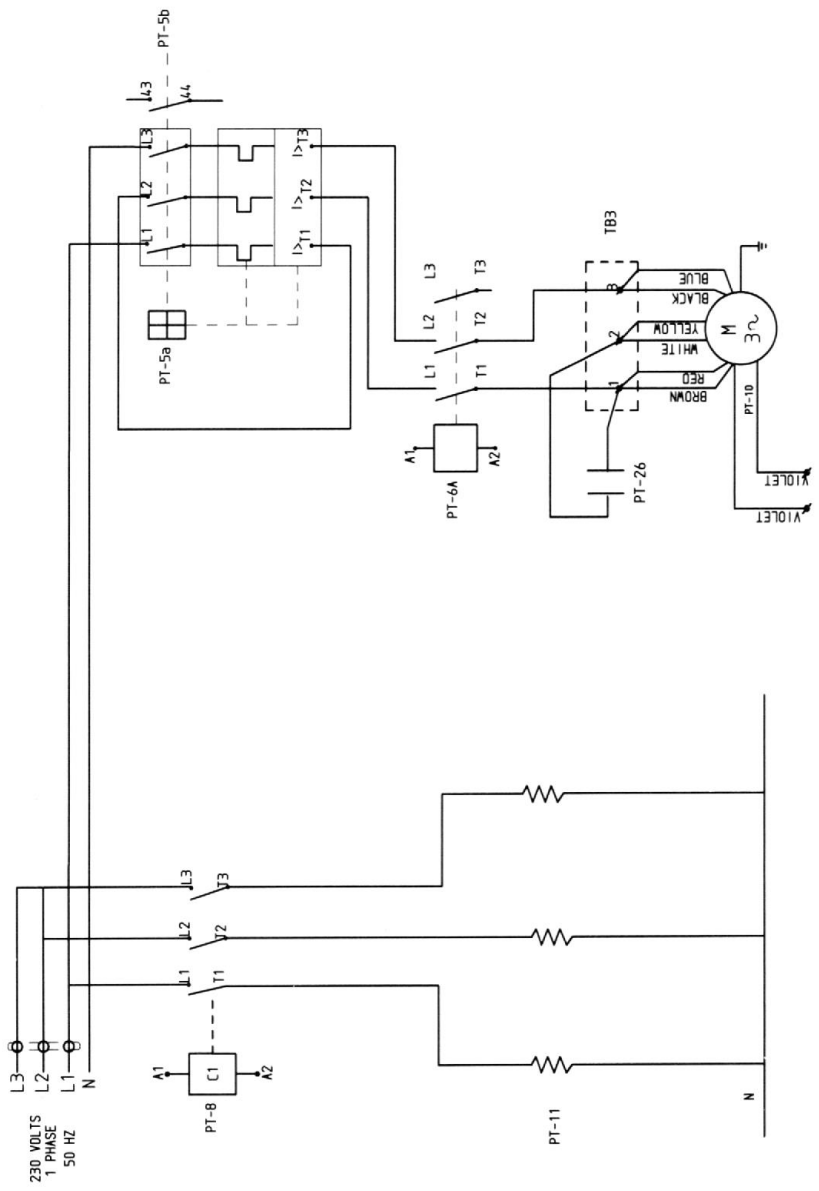
REV	SIG	DATE	REVISION	EGN NO.
A	JC	27-03-07	PT-22 WIRING CHANGED	2946

<b>MONO EQUIPMENT</b> QUEENSWAY SWANSEA WEST IND PARK SWANSEA, SA5 4EB. TEL: (01792) 561234 FAX: (01792) 561016	TITLE: BXC 4 TRAY OVEN PCB OUTPUTS
ELECTRICAL SPECIFICATIONS:- 230V 1PH/50HZ	DRAWN: JC
ELECTRICALLY APPROVED BY:- A. THOMAS	
DATE: 6-6-06	DRAWING NO. M158E25-22600
REV: A	REV: A

COPYRIGHT © 1998 - THIS DESIGN/DRAWING IS THE PROPERTY OF MONO EQUIPMENT LTD. AND MUST NOT BE REPRODUCED, COPIED, NOR ITS CONTENTS DIVULGED WITHOUT PRIOR WRITTEN PERMISSION.

IF IN ANY DOUBT - ASK

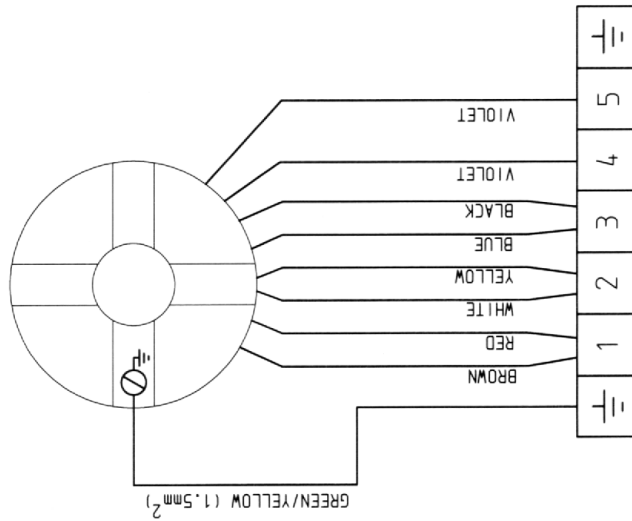


REV	SIG	DATE	REVISION	ECN NO.
A	JC	27-03-07	PT-22 REMOVED	2946
		TITLE: POWER CIRCUIT DIAGRAM 4 TRAY CLASSIC/COLOUR ONE WAY FAN ROTATING OVEN WITH STANDARD FAN IMPELLER		
QUEENSWAY SWANSEA WEST IND PARK SA5 4EB TEL: (01792) 561234 FAX: (01792) 561016		DRAWN: JC ELECTRICALLY APPROVED BY:- P. BOYLES		
ELECTRICAL SPECIFICATIONS:- 230V 1PH 50Hz		DATE: 12-7-99 DRAWING NO. M158E25-51300 REV: A		

COPYRIGHT © 1998 - THIS DESIGN/DRAWING IS THE PROPERTY OF MONO EQUIPMENT LTD. AND MUST NOT BE REPRODUCED, COPIED, NOR ITS CONTENTS DIVULGED WITHOUT PRIOR WRITTEN PERMISSION.

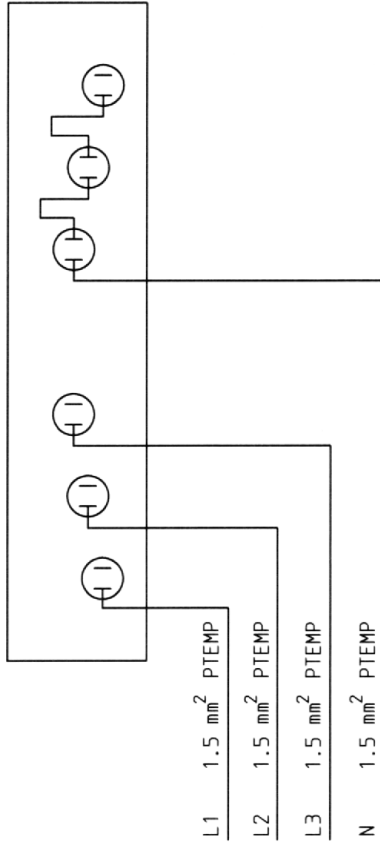


IF IN ANY DOUBT - ASK



FAN MOTOR CONNECTIONS

PT11

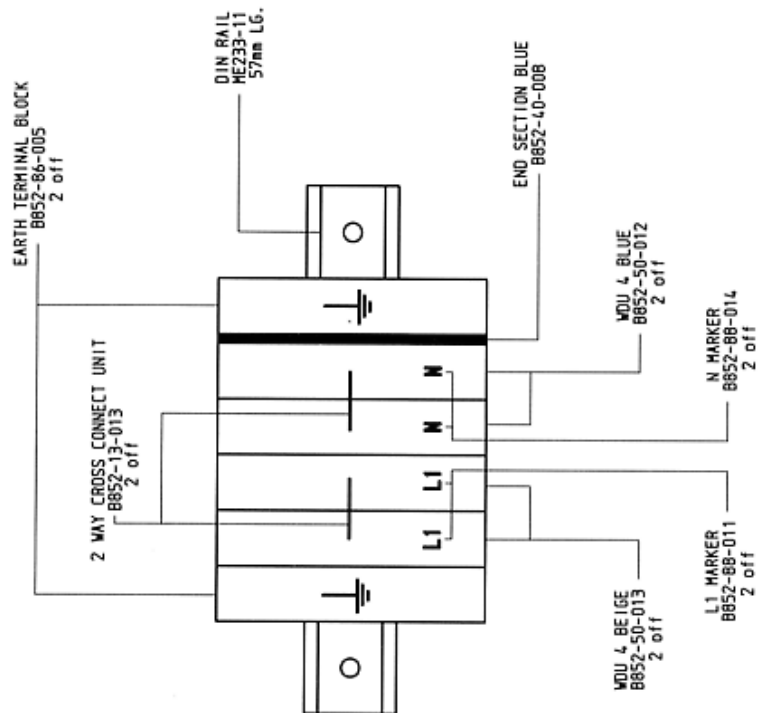


HEATING ELEMENT WIRING

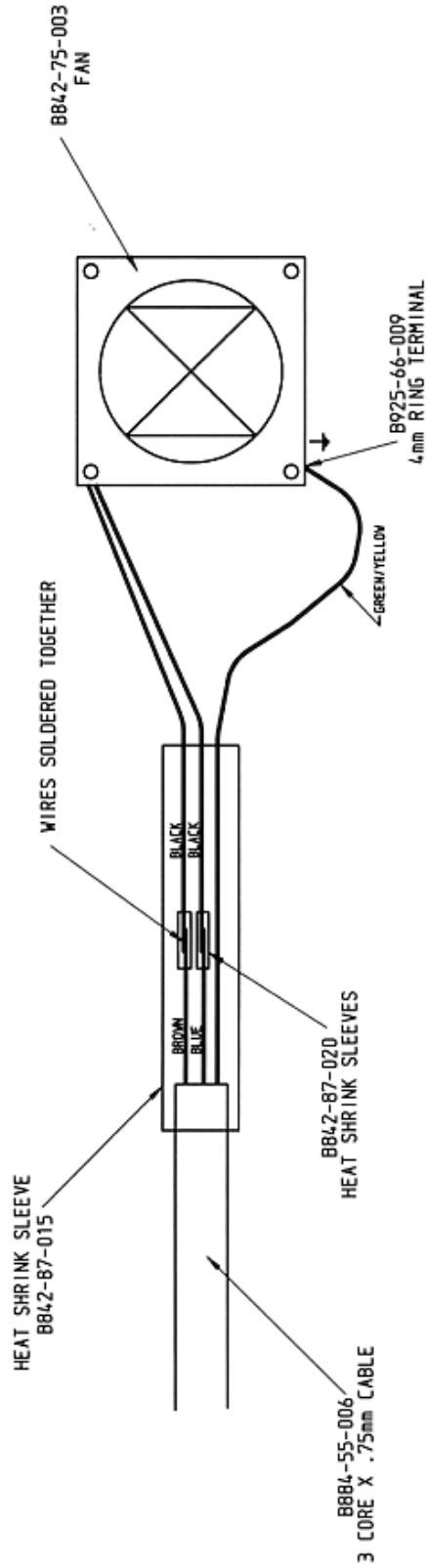
REV	SIG	DATE	REVISION	EGR NO.
			FAN MOTOR CONNECTIONS & HEATING ELEMENT WIRING 4 TRAY CLASSIC/COLOUR ONE WAY FAN ROTATING OVEN	
<b>MONO EQUIPMENT</b> QUEENSWAY SWANSEA WEST IND PARK SWANSEA, SA5 4UEB <b>MONO</b> TEL: (01792) 561234 FAX: (01792) 561016			TITLE: FAN MOTOR CONNECTIONS & HEATING ELEMENT WIRING 4 TRAY CLASSIC/COLOUR ONE WAY FAN ROTATING OVEN	
ELECTRICAL SPECIFICATIONS:-			DRAWN: JC	
230V 1PH 50Hz			ELECTRICALLY APPROVED BY:- P. BOYLES	
COPYRIGHT © 1998 - THIS DESIGN/DRAWING IS THE PROPERTY OF MONO EQUIPMENT LTD. AND MUST NOT BE REPRODUCED, COPIED, NDR ITS CONTENTS DIVULGED WITHOUT PRIOR WRITTEN PERMISSION.			DATE: 15-7-99	
			DRAWING NO. M158E25-52200	
			REV: —	

**FOR ENGINEERS USE ONLY.**  
DO NOT ATTEMPT ANY ALTERATIONS.  
IF IN DOUBT, CONTACT MONO FOR ADVICE

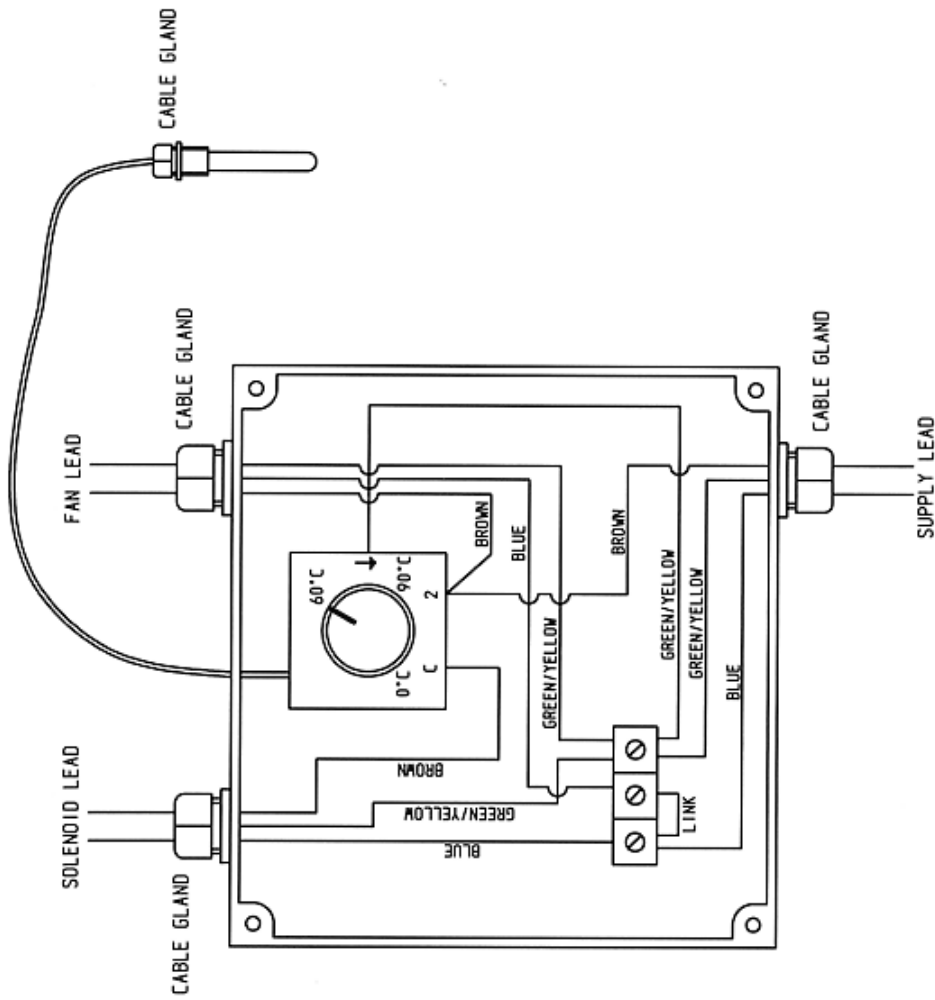
**CONDENSER**



CONDENSER UNIT  
 TERMINAL BLOCK LAYOUT  
 H150-25-10000

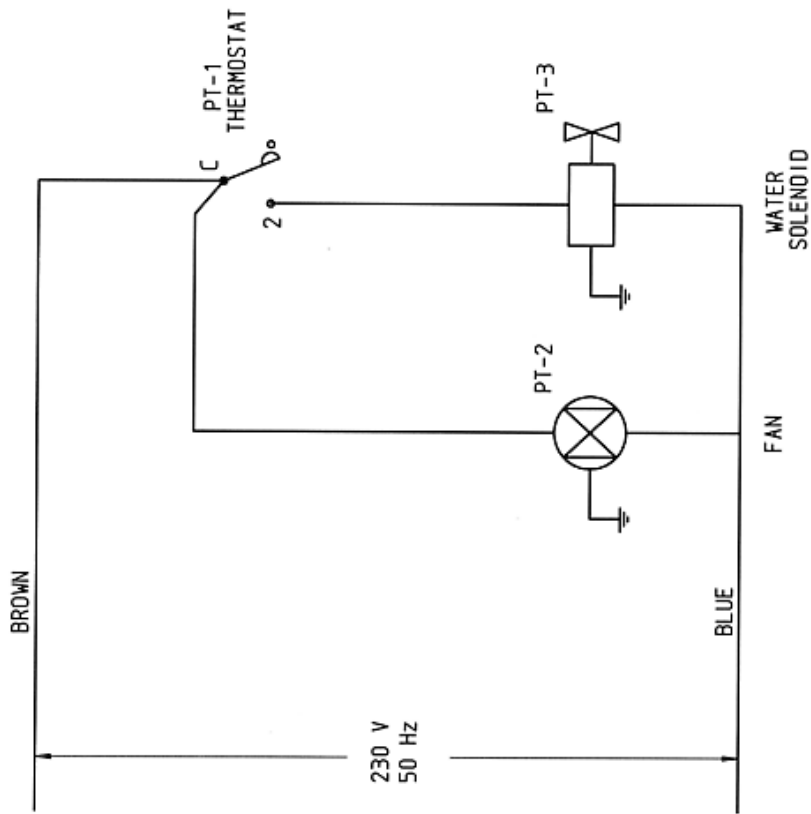


CONDENSER UNIT  
FAN CONNECTIONS  
M150-25-10200



CONDENSER UNIT  
ENCLOSURE BOX CONNECTIONS  
M150-25-10300

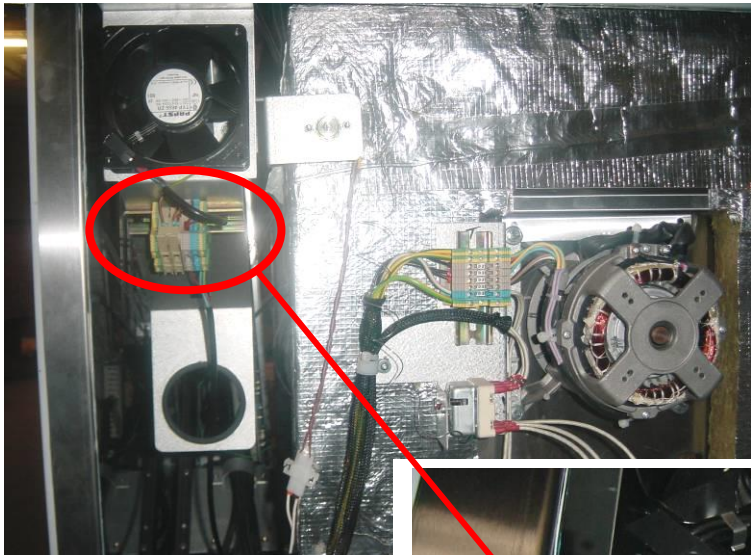




CONDENSER UNIT  
CIRCUIT DIAGRAM  
M150-25-10100



# CONDENSER WIRING 10 TRAY Bx OVEN

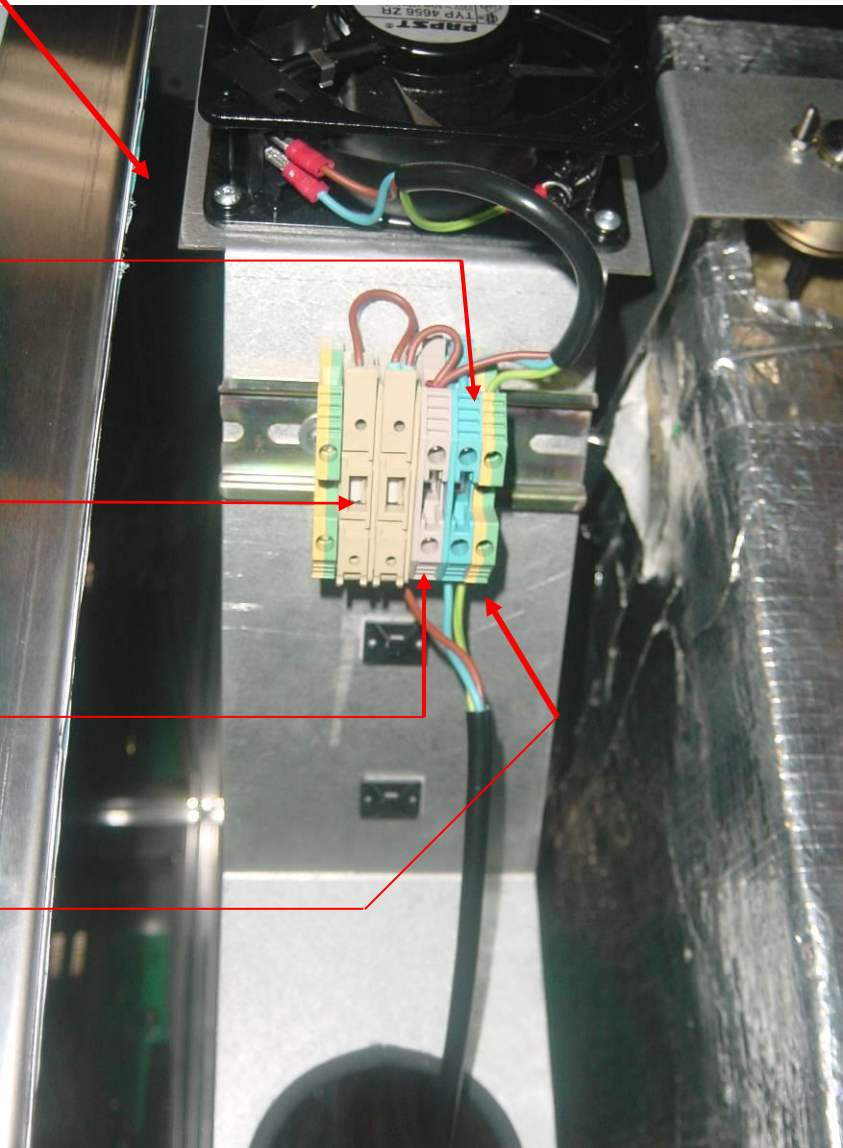


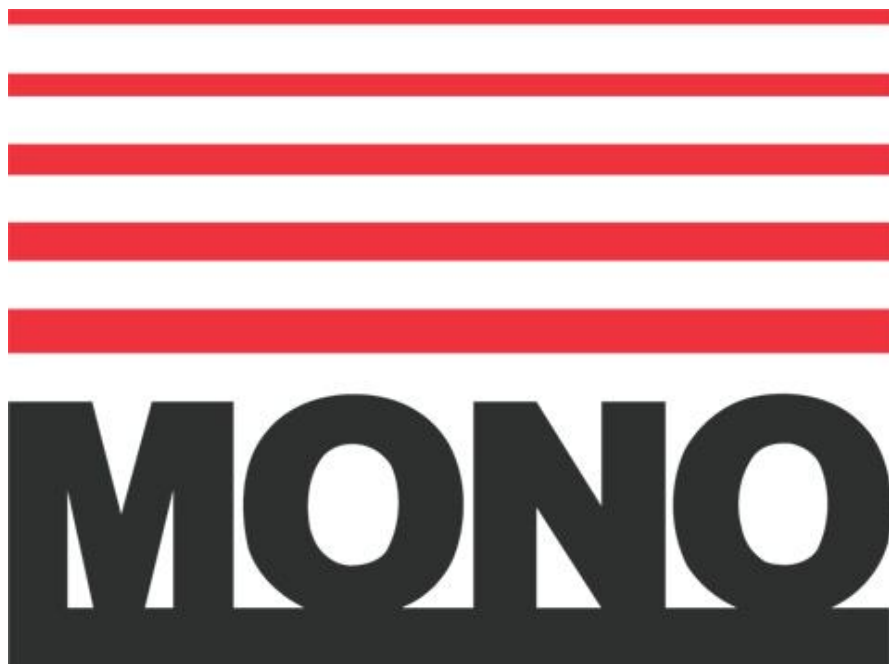
BLUE

1 AMP T FUSE

BROWN

GREEN/YELLOW





**MONO Equipment**

Queensway, Swansea West Industrial Park, Swansea, SA5 4EB UK

**Tel. 01792 561234**

Fax. 01792 561016

Email:mono@monoequip.com

**[www.monoequip.com](http://www.monoequip.com)**

As it is our policy to improve our machines continuously, we reserve the right to change specifications without prior notice.