

# Tabletop Doughnut Fryer

**EN**

## Quick Start Guide

### Product Version

- 2021 design with digital timer
- UK specifications
- 240 Vac (single-phase) or 415 Vac (three-phase)
- Optional 5-tray base

### Product Serial Number

---

---



# Safety Symbols

The following safety symbols are used throughout this product documentation and manual (available electronically at [MonoEquip.com](http://MonoEquip.com)). Before using your new equipment, read the instruction manual carefully and pay special attention to information marked with the following symbols.

**DANGER**

- Indicates an immediate hazard with a high risk which, if not avoided, will result in death or serious physical injury.
- 

**WARNING**

- Indicates a potential hazard with a medium risk which, if not avoided, could result in death or serious physical injury.
- 

**CAUTION**

- Indicates a hazard with a low risk which, if not avoided, could result in minor or moderate physical injury.
-

# Electrical Safety

## Advice regarding supplementary electrical protection

Commercial bakeries, kitchens and food service areas are environments where electrical appliances may be located close to liquids, or operate in and around damp conditions, or where restricted movement for installation and service is evident.

The installation and periodic inspection of the appliance should only be undertaken by a qualified, skilled and competent electrician, and connected to the correct supply suitable for the load as stipulated by the appliance data label.

The electrical installation and connections should meet the necessary requirements of the local electrical wiring regulations and any electrical safety guidelines.

### We recommend:

- Supplementary electrical protection with the use of a residual current device (RCD)
- Fixed wiring appliances incorporate a locally situated switch disconnecter to connect to, which is easily accessible for switching off and safe isolation purposes. The switch disconnecter must meet the specification requirements of IEC 60947.

### Your attention is drawn to: BS 7671:2018 – Guidance Note 8 – 8.13 : Other locations of increased risk

It is recognised that there may be locations of increased risk of electrical shock other than those specifically addressed in Part 7 of BS 7671. Examples of such locations could include laundries where there are washing and drying machines in close proximity, and water is present, and commercial kitchens with stainless steel units, where once again, water is present. Where, because of the perception of additional risks being likely, the installation designer decides that an installation or location warrants further protective measures, the options available includes:

- Automatic Disconnection of Supply (ADS) by means of a residual current device having a residual operating current not exceeding 30 mA;
- Supplementary protective equipotential bonding; and
- Reduction of maximum fault clearance time.

The provision of RCDs and supplementary bonding must be specified by the host organisation's appointed installation designer or electrical contractor and installed by a suitably qualified and competent electrician so as to comply with Regulations 419.2 and 544.2.



### WARNING

- The supply to this machine must be protected by a 30mA-rated Type A Residual Current Device (RCD).
  - Always fit a wall-mountable isolator switch to isolate the machinery from the electrical supply completely. The isolator must be visible, labeled as an emergency shutdown device, and easily accessible.
-


# EU Declaration of Conformity Certificate



## DECLARATION OF CONFORMITY

We hereby declare that this machine complies with the essential health and safety requirements of :-

- The Machinery Directive 2006 / 42 / EC
- The Low voltage Directive 2006 / 95 / EC
- The requirements of the Electromagnetic Compatibility Directive 2004 / 108EC, 91 / 263 / EEC, 92 / 31 / EEC
- The General Safety of Machinery and food processing Standards applicable
- Materials and Articles intended to come into contact with food - Regulation (EC) No. 1935 / 2004
- Good manufacturing practice for Materials intended to come into contact with food - Regulation (EC) No. 2023 / 2006

<b>Signed</b>	
<b>D. Osmundsen – Quality and Conformance Manager</b>	

<b>Date</b>	
-------------	--

<b>Machine FG Code.</b>		<b>Machine Serial No.</b>	
-------------------------	--	---------------------------	--

A technical construction file for this machine is retained at the following address:

**MONO EQUIPMENT**  
Queensway,  
Swansea West Industrial Park,  
Swansea  
SA5 4EB  
UK

**MONO EQUIPMENT** is a business name of **AFE GROUP Ltd**  
Registered in England No.3872673 VAT registration No.923428136

Registered office: Unit 35,  
Bryggen Road,  
North Lynn Industrial Estate,  
Kings Lynn Norfolk,  
PE30 2HZ

# Further Information

The information in this quick start guide should get your purchase up-and-running without any difficulty. Refer to the MONO Table Top Fryer [Installation and Operation Manual](#) for further instructions. If you still having a problem with your purchase, contact the Service Department. Please be prepared to quote the product serial number.

---

## **Mono Equipment Limited**

Queensway, Swansea West Industrial Park, Swansea, SA5 4EB, United Kingdom

Tel: +44/0 1792 561234

Fax: +44/0 1792 561016

Email: [mono@monoequip.com](mailto:mono@monoequip.com)

---

# 1. Introduction

## 1.1. The MONO Table Top Fryer

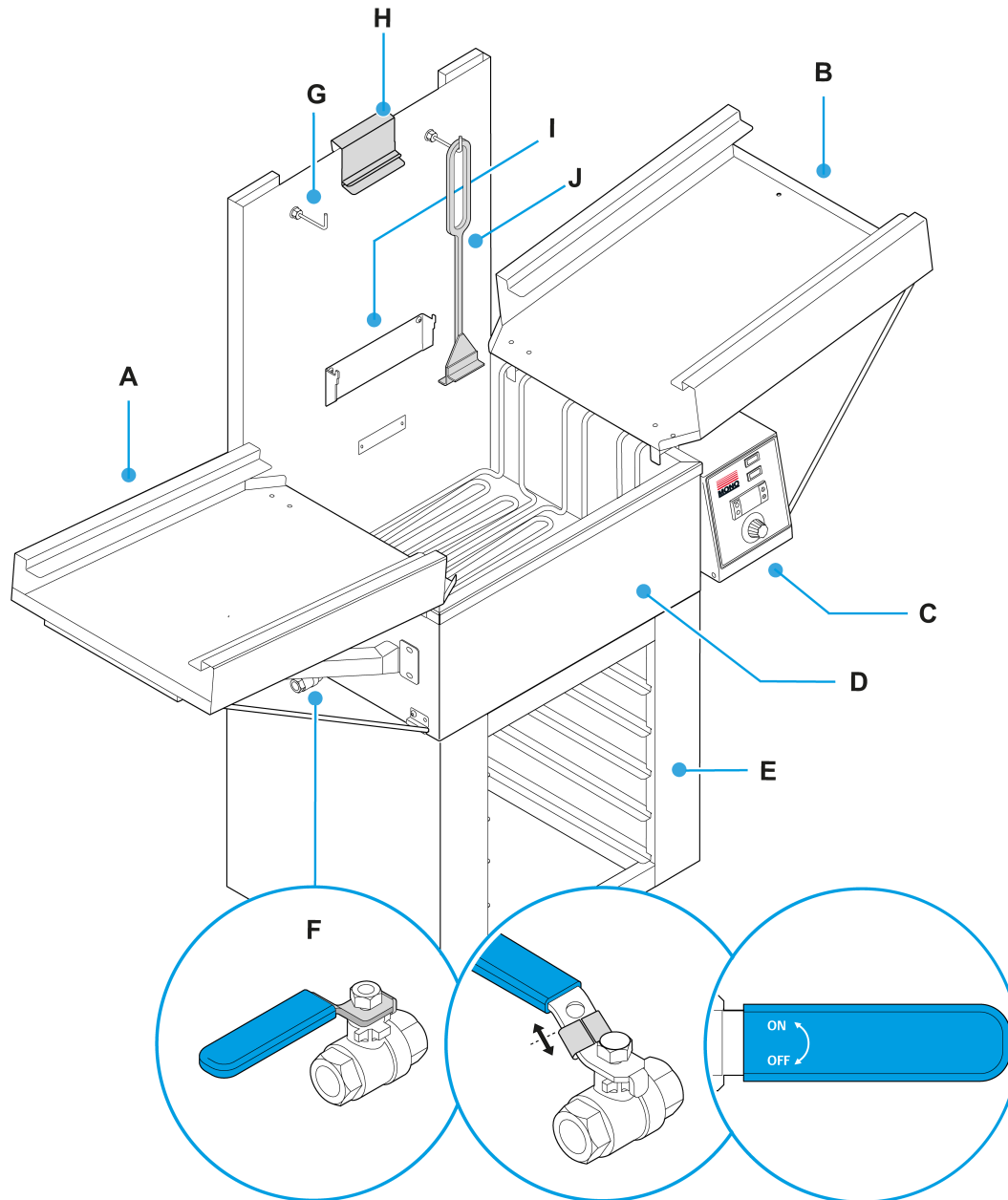
MONO Equipment's Table Top Fryer provides the perfect solution for a small business with limited space but wants to produce high-quality, professionally baked doughnuts.

This table-top fryer incorporates the essential functions and features needed to produce finger, ball, and ring-shaped doughnuts in a compact machine.

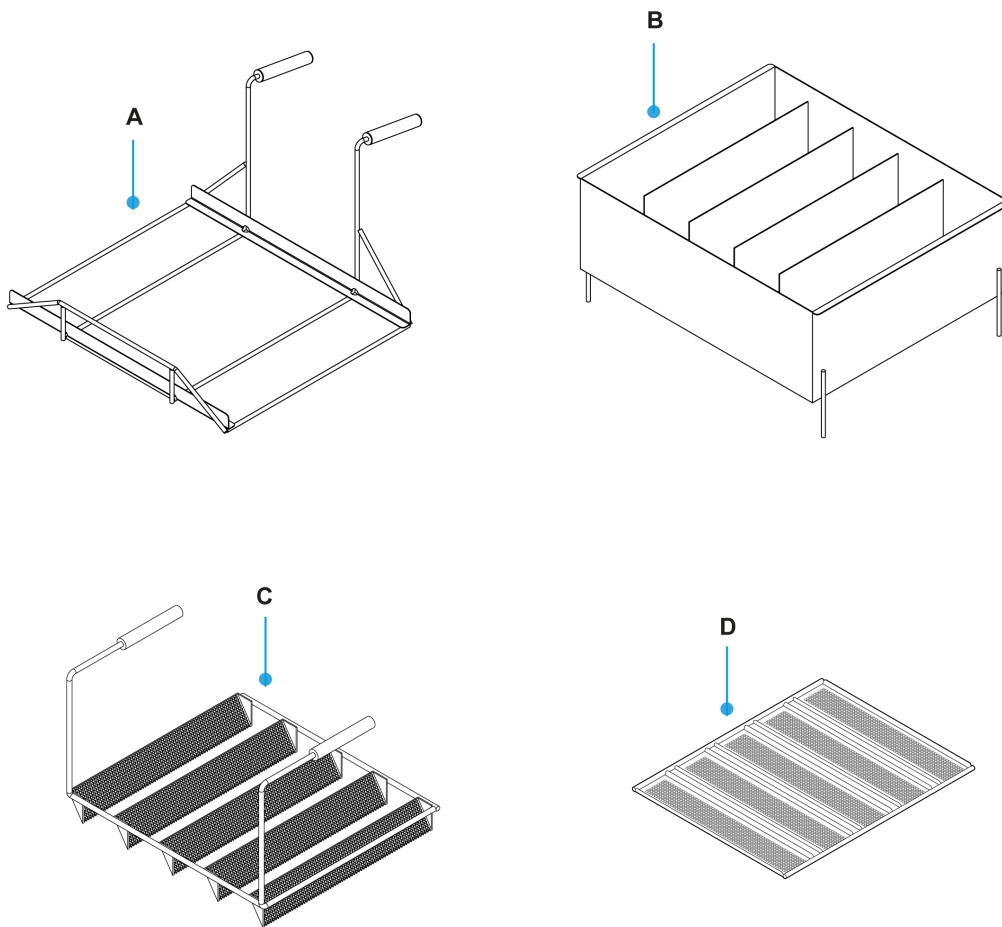
### Features:

- Output up to 500 doughnuts per hour.
- Available with turnover (lane), immersion, or float frying facilities
  - Easily lower and raise doughnuts into oil/fat
- Suitable for an 18-inch x 15-inch tray size
- Manufactured in hygienic stainless steel for quick and easy cleaning
- Easily removable control box with:
  - Adjustable thermostat to ensure the correct temperature
  - Automatic overheat protection (trips the power)
  - Digital timer with start/stop/pause buttons
  - Mains power and heat on/off indication lights
  - Manual reset button (in the hole on the side)
- Quick-drain mesh frying screens
- Drain tap
- Adjustable feet

Figure 1.1: Features



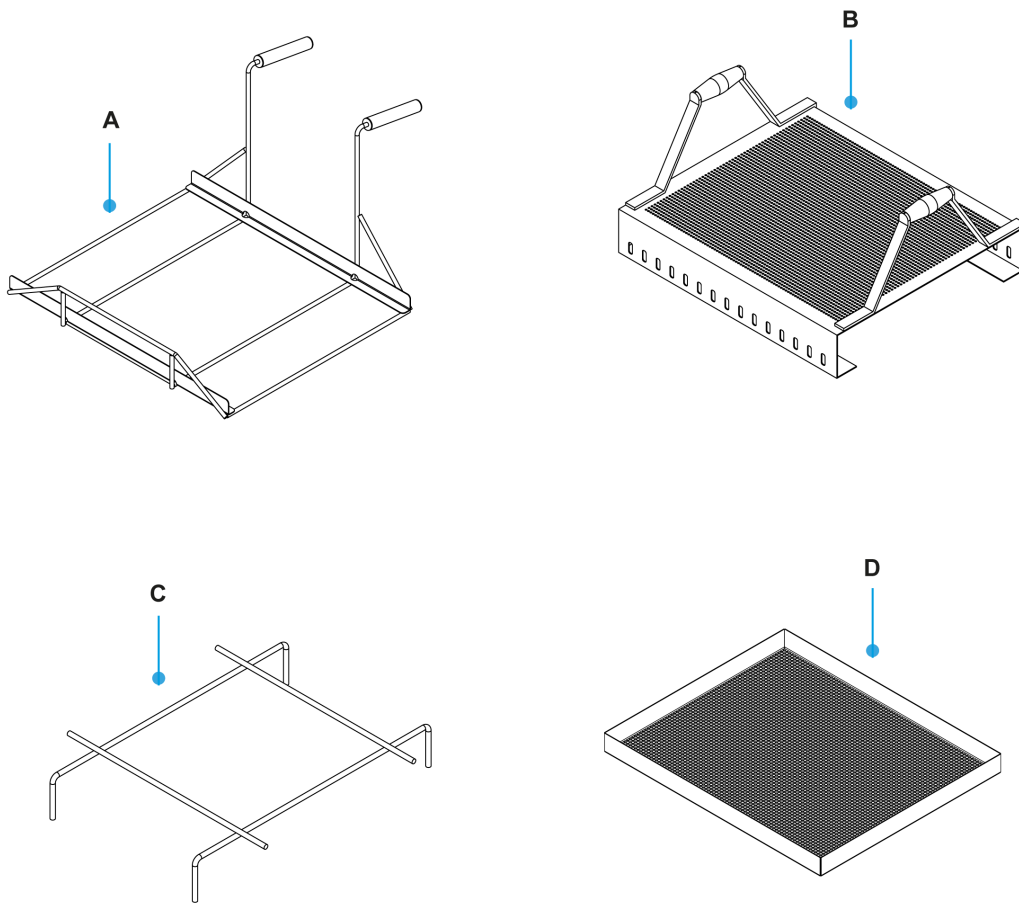
- A. Drainer
- B. Feeder
- C. Control box
- D. Oil/fat tank with heating elements
- E. Optional 5-tray base FG030/X02
- F. Drain tap
- G. Upper hooks
- H. Handles (4 off)
- I. Lower hooks
- J. Tray hook

**Figure 1.2:** Turnover frying accessories (5 lanes)

- 
- A. Tray-lift cradle
  - B. Separator (splitter) box
  - C. Turnover device
  - D. Segregated 5-lane tray
-



Figure 1.3: Immersion and float frying accessories (open tank)



- 
- A. Tray-lift cradle
  - B. Carrier
  - C. Element guard (spider)
  - D. Perforated tray
-

## 2. Safety

### 2.1. Safety notices

Only fully trained and authorised persons are permitted to do any work on the fryer. Qualified electricians must carry out all repairs and maintenance of the electrics. Always disconnect or isolate the power supply before starting any maintenance or cleaning work on the fryer.

The Bakery Manager or Supervisor must carry out daily safety checks. Bakery staff must not, under any circumstances, remove panels or guards to access any part of the fryer.

In the interests of safety and efficient operation of this fryer, it is essential that this manual should be made available to all personnel who may be required to operate it, before work is commenced

**WARNING**

- Before using the fryer:
  - Check that all cover panels are fitted and secured with bolts or screws.
  - Check that all guards are fitted and secured with bolts or screws (unless protected by a safety switch).
- If the fryer is damaged or malfunctioning:
  - Stop using the fryer.
  - Do not attempt any repairs to the fryer.
  - Contact the Service Department of Mono Equipment for advice.
- Operate the fryer only as described in this manual.
- Always switch off the power using the mains isolator when not using the fryer and before cleaning or maintenance.

**WARNING**

- Electrical connections must comply with the statutory legislation of the country.
  - The supply to this machine must be protected by a 30mA-rated Type A Residual Current Device (RCD) prior to installation and commissioning.
  - Fit a wall isolator to isolate the fryer completely. The isolator must be visible, labeled, and easily accessible by an operator.
  - Always ensure hands are dry before touching any electrical appliance (including cable, switch and plug).
-

**WARNING**

- Be aware of hot oil and surfaces. Take appropriate precautions to avoid burns.
  - Fully train operatives before using the fryer. Anyone undergoing training must be under direct supervision.
  - No one under the age of 16 may operate the fryer.
  - No loose clothing or jewellery are to be worn while operating the fryer
  - Before emptying and cleaning the fryer, See [Appendix A](#).
  - No one under the age of 18 may clean this machine under any circumstances.
  - Do not store items on top of, or near, the fryer.
  - No unauthorised modifications to the fryer are permitted.
-

## 3. Installation

### 3.1. Installation notes



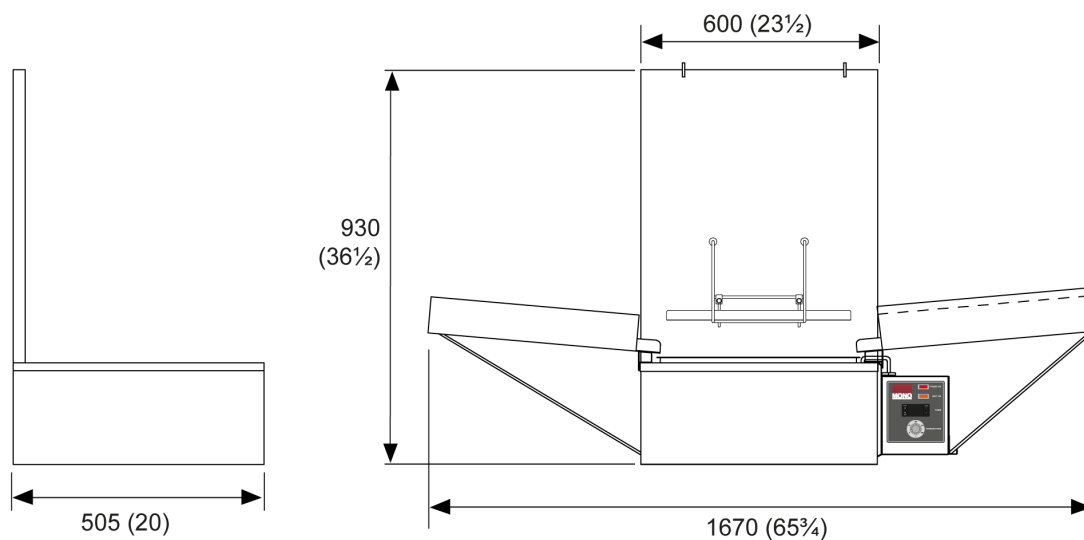
#### WARNING

- This equipment is too heavy for a single person to lift.
- Place the fryer on a table or bench strong enough to support a full load of oil and tolerate accidental knocks during frying operation.
- To ensure that the fryer is safe to use, any optional base unit supplied must be attached to the fryer by a MONO engineer.

1. Check that the mains power supply matches the ratings on the nameplate fixed to the control box.
2. Position the tabletop fryer away from any main thoroughfare, and ensure the surrounding floor area has suitable non-slip surfacing.
3. Install good ventilation, such as an extraction canopy, to remove convected heat and cooking smells.
  - Choose a canopy fitted with a grease trap.
  - The canopy should also extend a minimum of 300 mm (12 inches) beyond each edge of the fryer and have its lowest point between 1980 mm (78 inches) and 2740 mm (108 inches) above the floor.

### 3.2. Dimensional Drawing

Figure 1.1: Dimensions of tabletop fryer without base

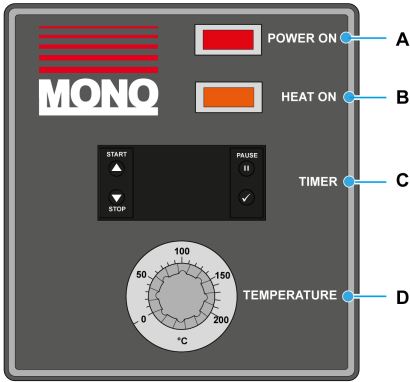


Dimensions are in mm (inches).

# 4. General Operations

## 4.1. Overview of the control box

Figure 1.1: Control panel features



- A. Power on/off indicator light
- B. Heat on/off indicator light
- C. Digital timer with start/stop/pause/confirm controls
- D. Thermostatic control (temperature setting)

## 4.2. Operating the digital timer

Figure 1.2: Instructions for the timer

Main Operation Screen



When the ENTER button is pressed, the "S" appears.

SET value Screen

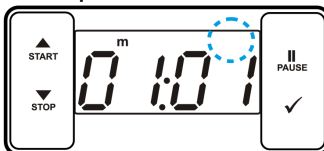


The Timer set value can be changed using the increment and decrement buttons.



When the ENTER button is pressed, the new timer value is saved.

Main Operation Screen



The "S" disappears and the display returns to the main operation screen.

## 5. Turnover Frying Method

### 5.1. Preparation for turnover frying

See [Figure 1.2 on page 3](#) for illustrations of the turnover frying accessories.

1. Attach the drainer and feeder boards, control box, and separator (splitter) box.
2. Hang the turnover device on the upper hooks of the back sheeting.
3. Hang the tray-lift cradle on the lower hooks of the back sheeting.
4. Check that the drain tap is closed.
5. Fill the fryer with suitable cooking oil to 50 mm (2 inches) below the top of the tank.
  - This is the correct operational level of the oil but allow for the expansion of heated oil.
  - **WARNING: If using solid fat, break up the fat and melt gradually by turning the heating elements on and off for 15-second periods until the elements are submerged. This routine stops any damage to the elements.**
6. Prove doughnuts on the frying screens to the required size and then place them in the fryer without being touched. If moved onto the frying screens after proving, they collapse and an inferior product results.

### 5.2. Turnover frying

1. Turn the thermostatic control to required frying temperature and observe indicator lamps light up.
2. Wait for all of the oil/fat to be uniformly heated.
  - The Heat On light goes out after a few minutes, but wait 45 to 60 minutes for best results.
3. Slide a segregated 5-lane tray of doughnuts onto the tray-lift cradle.
4. Set the timer to the frying time required.
5. Unhook the tray-lift cradle and gently lower into the oil.
6. Press the start button on the timer.
7. When the timer sounds and the doughnuts are cooked on one side:
  - a. Lower the turnover device into the tank.
  - b. Hold the turnover device against the baffles of the separator unit to make the doughnuts turnover.
  - c. Leave the turnover device in the oil.
8. Press the start button on the timer.
9. When the timer sounds and the doughnuts are cooked on one side:
  - a. Lift the turnover device out of the tank.
  - b. Hang the turnover device on the hooks of the back sheet.
10. Remove the tray-lift cradle and hang it back on the lower rear hooks to allow the doughnuts to drain.
11. Slide the segregated 5-lane tray onto the drainer to drain for more time.
12. Slide a fresh tray onto the tray-cradle and repeat the frying procedure.

## 6. Float Frying Method

### 6.1. Preparation for float frying

See [Figure 1.3 on page 4](#) for illustrations of the float frying accessories.

1. Attach the drainer and feeder boards and control box, but not the separator (splitter) box.
2. Place the element guard (spider) in the bottom of the tank.
3. Hang the tray-lift cradle on the lower hooks of the back sheeting.
4. Check that the drain tap is closed.
5. Fill the fryer with suitable cooking oil to 50 mm (2 inches) below the top of the tank.
  - This is the correct operational level of the oil but allow for the expansion of heated oil.
  - **WARNING: If solid fat is to be used, break up the fat and melt gradually by turning the heating elements on and off for 15-second periods until the elements are submerged. This routine stops any damage to the elements.**
6. Prove the doughnuts on the frying screens to the required size and then place them in the fryer without being touched. If moved onto the frying screens after proving, they collapse and an inferior product results.

### 6.2. Float frying

1. Turn the thermostatic control to the required frying temperature and ensure that both indicator lights are on.
2. Wait for all of the oil/fat to be uniformly heated.
  - The Heat On light goes out after a few minutes, but wait 45 to 60 minutes for best results.
3. Slide a perforated tray of doughnuts onto the tray-lift cradle.
4. Set the timer to the required frying time.
5. Unhook the tray-lift cradle and gently lower it into the oil or molten fat
6. Press the start button on the timer.
7. When the timer sounds and the doughnuts are cooked on one side:
  - a. Lift the tray-lift cradle out of the tank.
  - b. Hang the tray-lift cradle on the lower rear hooks to allow the doughnuts to drain.
8. Slide the tray carefully onto the drainer using the handles, and drain for more time.
9. slide a fresh tray onto the cradle and repeat the frying procedure/

## 7. Immersion Frying Method

### 7.1. Preparation for immersion frying

See [Figure 1.3 on page 4](#) for illustrations of the immersion frying accessories.

1. Attach the drainer and feeder boards and control box, but not the separator (splitter) box.
2. Place the element guard (spider) in the bottom of the tank.
3. Get the perforated tray and the carrier device ready.
4. Check that the drain tap is closed.
5. Fill the fryer with suitable cooking oil to 50 mm (2 inches) below the top of the tank.
  - This is the correct operational level of the oil but allow for the expansion of heated oil.
  - **WARNING: If solid fat is to be used, break up the fat and melt gradually by turning the heating elements on and off for 15-second periods until the elements are submerged. This routine stops any damage to the elements.**
6. Prove the doughnuts on the frying screens to the required size and then place them in the fryer without being touched. If moved onto the frying screens after proving, they collapse and an inferior product results.

### 7.2. Immersion frying

1. Turn the thermostatic control to the required frying temperature and ensure that both indicator lights are on.
2. Wait for all of the oil/fat to be uniformly heated.
  - The Heat On light goes out after a few minutes, but wait 45 to 60 minutes for best results.
3. Set the timer to the required frying time.
4. Slide the perforated tray of product into the carrier device.
5. Lower the carrier device into the tank.
6. Press the start button on the timer.
7. When the timer sounds:
  - a. Carefully lift the carrier device out of the tank.
  - b. Allow the oil to drip into the tank for a short time.
8. Slide the tray from the carrier device onto the drainer board to drain for more time.
9. slide a fresh tray into the carrier device and repeat the frying procedure/



# A. Safe Emptying and Cleaning of Fryers

---

**Note:** This content is taken from the [Catering Information Sheet No 17](#) on the UK government website.

---

## A.1. Introduction

This information was produced by the Hospitality and Catering Industry Liaison Forum, which has members from trade and professional associations, unions and enforcement authorities. Members' associations are free to reproduce and distribute this guidance to catering establishments. The guidance is issued by the Health and Safety Executive in the United Kingdom.

It provides advice to employers in the catering industry on safe emptying and cleaning of fryers. It gives guidance on manual emptying and cleaning and guidance on fryers with automated or semi-automated filtering (using enclosed portable filtering units).

Automated and semi-automated filtering processes avoid operators coming into contact with hot oil, significantly reducing the risks. This enables filtering to take place safely even while the oil is at normal cooking temperature. Most automated or semi-automated systems require an oil temperature of at least 100 °C (212 °F) for the filtering process to work effectively.

**You should only carry out manual emptying and filtering of fryers when the oil has been cooled to 40 °C (104 °F) or below.**

## A.2. Key messages

- Burns from hot oil can be very serious.
- Oil takes only 6–7 minutes to heat up but can take 6–7 hours to cool down again.

## A.3. What the law says

The Health and Safety at Work etc Act 1974 (the HSW Act) places a duty on employers to ensure, so far as reasonably practicable, the health, safety and welfare of their employees. This duty extends, amongst other things, to providing and maintaining systems of work which are, so far as reasonably practicable, safe and without risks to health. The HSW Act also places a duty on employees to take reasonable care of their own and others' health and safety.

Whichever type of fryer is used, you must:

- ensure the fryer is well maintained and any attachments used are suitable for their purposes, as recommended by the manufacturer – a procedure for reporting faults will help you comply with this duty;
- train staff in a safe system of work for emptying and cleaning;
- provide staff with suitable protective equipment where required by the risk assessment e.g., eye protection, heat-resistant gloves, and aprons.

## A.4. When to empty and clean

Many catering establishments are closed overnight. For fire safety and economy switch off fat fryers when unattended. Carry out oil filtering and cleaning as a first task of the day rather than as part of the closing-down procedure.

## A.5. Hazards

The hazards in emptying and cleaning fryers include:

- fire
- burns from hot oil
- contact with hot surfaces
- fumes from boiling cleaning chemicals
- boiling chemicals overflowing
- eye injuries from splashes
- slips from oil spillage
- strains and sprains from lifting and moving containers of oil

If the catering service runs for 24 hours and the appliance is required continuously, there are two safe options:

- Use more than one fryer and clean them in rotation.
- Use an automated filtering system or a semi-automated portable filtering unit that removes the hot oil directly from the fryer, filters the oil and holds it safely.

## A.6. Automated and semi-automated filtering

An automated system consists of an inbuilt oil filtration system. The oil is drained into an enclosed reservoir and an electric pump circulates it through a filter system and internal pipework back into the fryer. Since this process is enclosed within the equipment, the operator does not come into contact with hot oil, greatly reducing any risk.

Portable oil filtering units (semi-automated) units are not part of the fryer, but sit alongside it. The operator attaches an extension pipe to the fryer and the hot oil is drained into an enclosed container within the portable unit. The oil is then filtered and returned to the fryer.

If you have a fryer with automated oil draining system or a portable oil filtering unit, refer to the manufacturer's guidelines for draining/filtering temperatures and safe operational requirements. These, together with your own risk assessment, will determine the need for suitable protective equipment. If there is still a risk from contact with hot surfaces or oil splashing, you may need to provide staff with eye protection, a protective apron and/or heat-resistant gloves/gauntlets.

## A.7. Manual oil filtering

This involves the operator draining the oil from the fryer through a filter into a suitable metal-holding or heat-resistant hard, plastic container and manually lifting it back into the fryer (fryer oil is often supplied in hard, plastic, rigid containers). Serious accidents have occurred where oil that has not sufficiently cooled has been drained back into an empty plastic container and the base of the container has given way.

To drain oil safely and in the correct sequence, follow these guidelines:

- Turn off the appliance and the power supply at the wall socket for electric appliances, and the on/off control for gas appliances.
- Allow the oil to cool, ideally for at least six hours, and check the temperature using a suitable probe thermometer before draining. Do not drain if the temperature is above 40 °C (104 °F).
- Follow the manufacturer's instructions and use the correct equipment (eg a detachable spout for the type of fryer you are emptying), making sure to bring any equipment you need to the fryer before you start.
- Depending on the type of fryer, drain the oil by drain valve, removable spout, lifting container or by tilting.
- If the oil is too cold to drain easily, reheat it briefly and agitate with the fryer basket for no more than one minute. Switch the appliance off and check the temperature again before emptying.
- Using a filter, run the oil into a suitable metal-holding or heat-resistant hard, plastic container. These containers will generally need carrying handles and a cover or lid. Before moving, make sure that the lid or cover is secure.
- Make sure the container is empty and big enough to take the volume of oil being drained at any time.
- When you are draining large volumes of oil it is safer to drain off in smaller amounts. This avoids overfilling the container and will reduce the chance of spillages when you move it. Smaller amounts will also be easier to carry.
- Place the container in a safe place where it cannot be contaminated with chemicals, water or foreign bodies. Place the container on top of a drip tray to avoid any floor contamination.
- Clean up any spillages immediately.
- Make sure floor areas around equipment are completely clean and dry to avoid slip risks (see also the [HSE page for Catering Information Sheet No 6](#)).

### Other precautions

Make sure the design of the drain-off tap prevents it being turned on accidentally:

- Mark clearly on it that the tap should not be touched.
- Place warning signs near the tap.
- If possible, remove the tap handle when the fryer is switched on.

## A.8. Cleaning procedure

This section applies to all types of fryers.

- Turn off the appliance, and the power supply at the wall socket for electric appliances and the on/off control for gas appliances.
- Wear suitable protective equipment, including eye protection (if appropriate).
- Check that other activities will not be put at risk by the cleaning activity.
- Check that the oil has been thoroughly drained and that there are no spillages that may cause slipping.
- Remove loose debris from the internal surfaces.
- Thoroughly wash all internal and external surfaces with suitable cleaning chemicals and check for any leaks.

- For stubborn residues, fill the fryer with your recommended cleaning agents and leave or simmer according to instructions.
- Do not leave the fryer unattended or allow it to boil as this may cause it to cascade liquid onto the floor, causing additional scalding and slipping hazards.
- Drain the appliance and rinse thoroughly with plenty of water.
- Dry all internal surfaces and make sure there is no water left in the fryer.
- Check the drain valve is closed and working properly, then refill and switch on as required.
- When refilling the fryer with oil, the oil container may be too large or heavy for one member of staff. Where possible, use smaller containers.
- Do not overfill the fryer. Follow the manufacturer's guidelines.
- Clean up any spillages immediately.
- Make sure floor areas around the equipment are completely clean and dry to avoid slip risks.

## A.9. Training

This section applies to all types of fryers.

- Make sure only staff trained in the safe use of the cleaning chemicals and cleaning procedures for the fryer do this task.
- Train staff in reporting procedures if they find the equipment is faulty or if they have experienced any practical difficulties with cleaning the fryer in their specific work environment.
- Make staff aware of the reason for using suitable protective equipment, ie gloves, eye protection.
- Complete risk assessments for hazardous chemicals and make staff aware of the correct procedures for using cleaning chemicals.
- Make safety data sheets available to staff.
- A short, written procedure can act as a reminder to staff for both draining and cleaning operations.

## A.10. Further reading

Preventing slips and trips in kitchens and food service (HSE website page)

[HSE page for Catering Information Sheet No 6](#)

Safe use of cleaning substances in the hospitality industry (HSE website page)

[HSE page for Catering Information Sheet No 22](#)

HSE has produced a suite of Catering Information Sheets and other guidance for the catering and hospitality industry. These are available on the [HSE page for Catering and Hospitality](#)

There is also helpful advice on the [HSE page for Health and Safety Made Simple](#)

# B. Electrical Drawings

Figure 1. Power Circuit Diagram 030E25-00000 (Sheet 4)

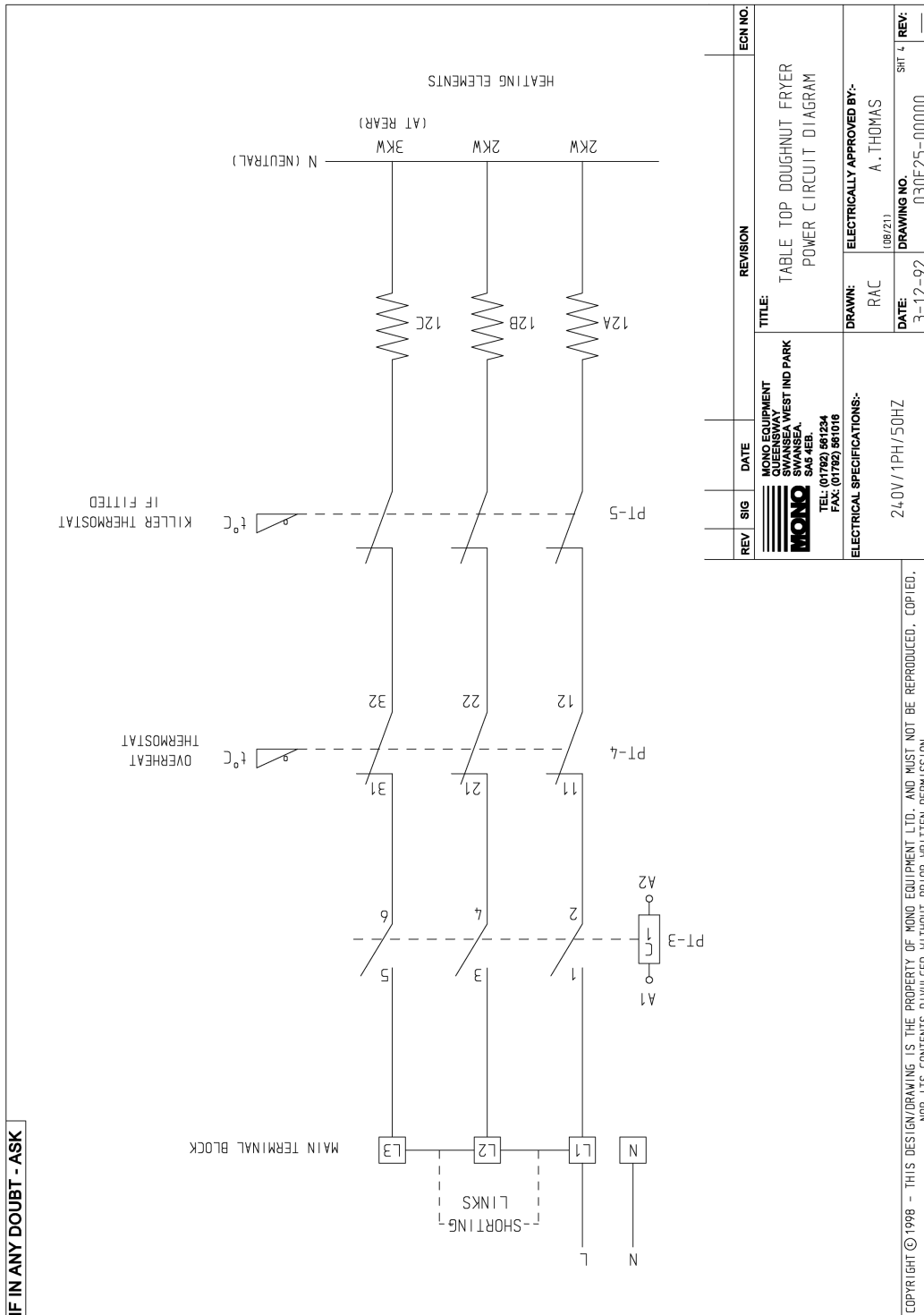


Figure 2. Power Circuit Diagram 030E25-00000 (Sheet 7)

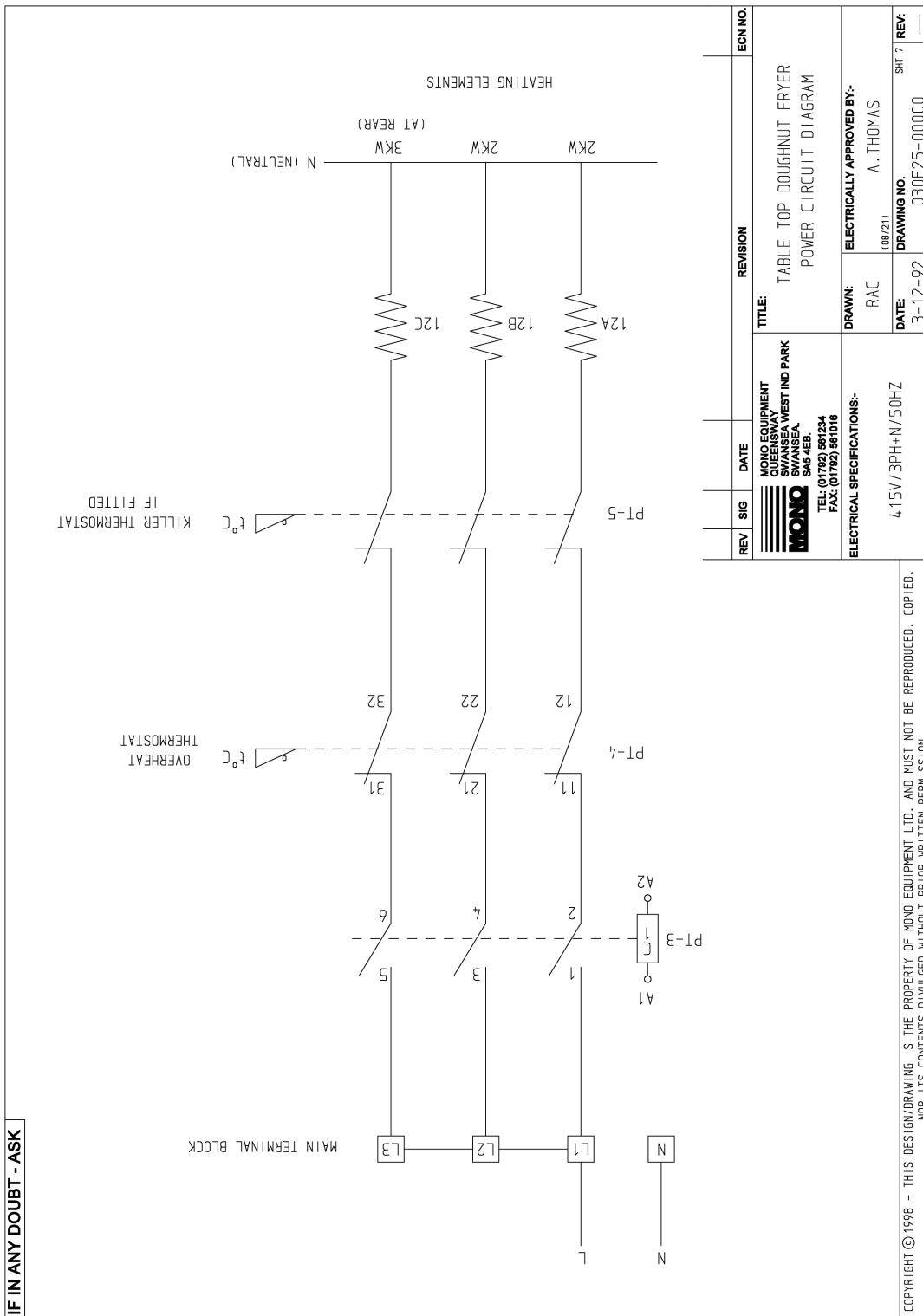


Figure 3. New Timer Version Component Layout 030E25-20001

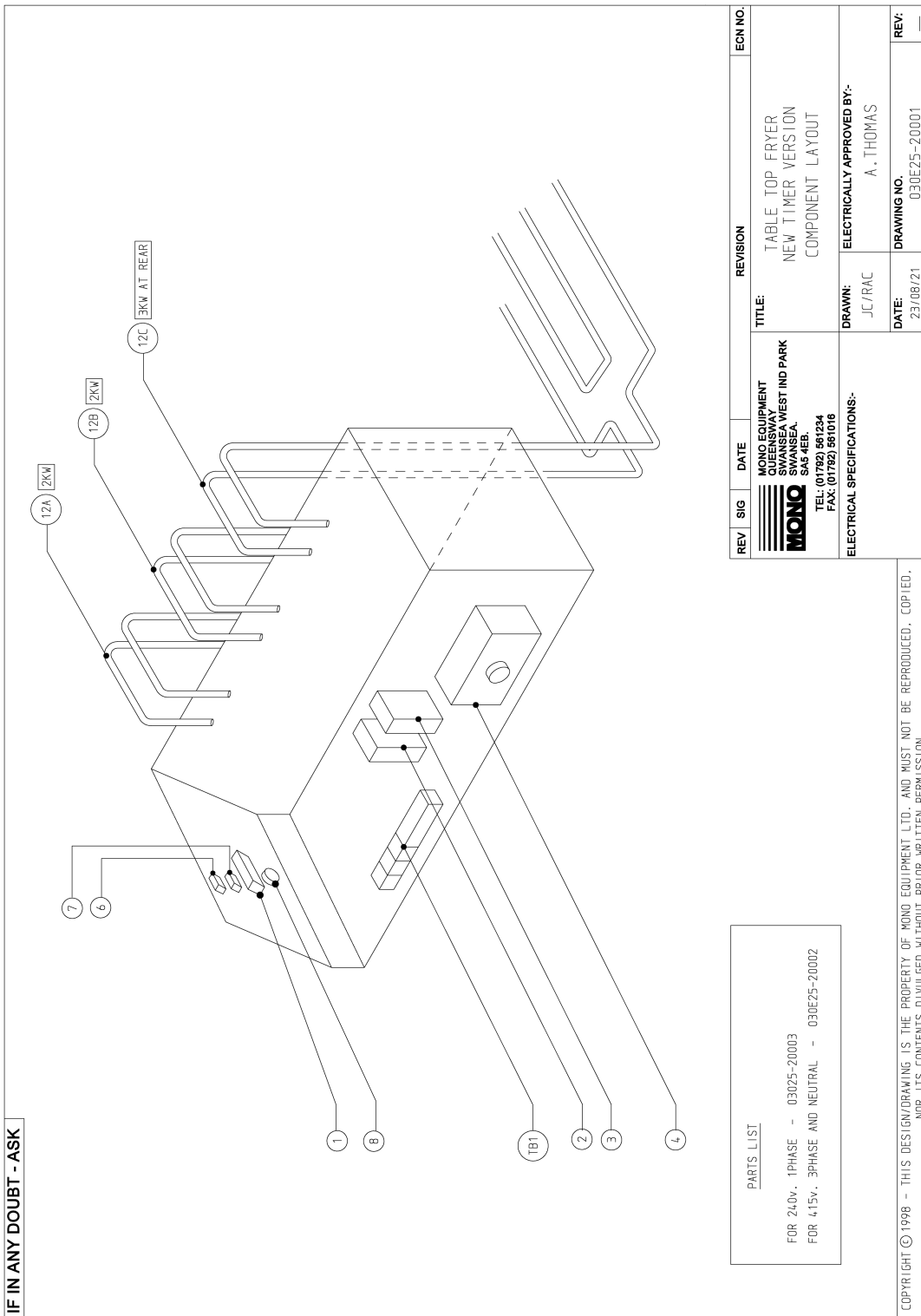


Figure 4. New Timer Version Parts List 030E25-20002 (3-Phase)

DRAWING PART No.	DESCRIPTION	PART No.	QTY
1	MAIN TIMER	B842-36-012	1
2	CONTROL MCB	B872-22-001	1
3	HEATER CONTACTOR	B801-08-007	1
4	OVERHEAT THERMOSTAT	B888-30-002	1
5	KILLER THERMOSTAT (IF FITTED)	B873-30-005	1
6	SUPPLY "ON" LIGHT	B842-43-005	1
7	HEAT "ON" LIGHT	B842-43-006	1
8	CONTROL THERMOSTAT	B873-30-013	1
12A	HEATING ELEMENT - 2KW	B847-04-028	1
12B	HEATING ELEMENT - 2KW	B847-04-028	1
12C	HEATING ELEMENT - 3KW	B847-04-029	1
	DIN RAIL C 100mm LONG	B852-26-009	0.055M
	TERMINAL BLOCKS	B852-50-022	4
	END PLATE	B852-40-016	1
	TERMINAL MARKER	B852-88-011	1
	TERMINAL MARKER	B852-88-012	1
	TERMINAL MARKER	B852-88-013	1
	TERMINAL MARKER	B852-88-014	1
	CABEL GLAND	B839-17-001	1
	MAINS CABLE	B843-57-002	3M
	LOCKNUT	B886-28-002	1
	SLEEVING - EXPANDIBLE	B842-87-003	1M
	CABLE - RED 1.5mm	B843-52-029	1.5M
	CABLE - BLUE 1.5mm	B843-52-025	1.5M
	CABLE - GREEN/YELLOW 1.5mm	B843-52-026	1M
	CABLE - RED 1.0mm	B843-52-001	1.5M
	CABLE - WHITE 1.0mm	B843-52-005	1.5M
	CABLE - BLUE 1.0mm	B843-52-002	1.5M

<b>REV</b>	<b>SIG</b>	<b>DATE</b>	<b>REVISION</b>	<b>ECH NO.</b>
			TABLE TOP FRYER NEW TIMER VERSION PARTS LIST	
 <b>MONO EQUIPMENT</b> QUEENSWAY SWANSEA WEST IND PARK SWANSEA, SAWABEA, WALES TEL: (01792) 561034 FAX: (01792) 561016			<b>TITLE:</b>	
ELECTRICAL SPECIFICATIONS:- 415V/3PH+N/50HZ			<b>DRAWN:</b> JC/RAC	<b>ELECTRICALLY APPROVED BY:-</b> A. THOMAS
			<b>DATE:</b> 23/08/2021	<b>DRAWING NO.</b> 030E25-20002
			<b>REV:</b> —	


COPYRIGHT © 1998 - THIS DESIGN/DRAWING IS THE PROPERTY OF MONO EQUIPMENT LTD. AND MUST NOT BE REPRODUCED, COPIED, NOR ITS CONTENTS DIVULGED WITHOUT PRIOR WRITTEN PERMISSION.



Figure 5. New Timer Version Parts List 030E25-20003 (1-Phase)

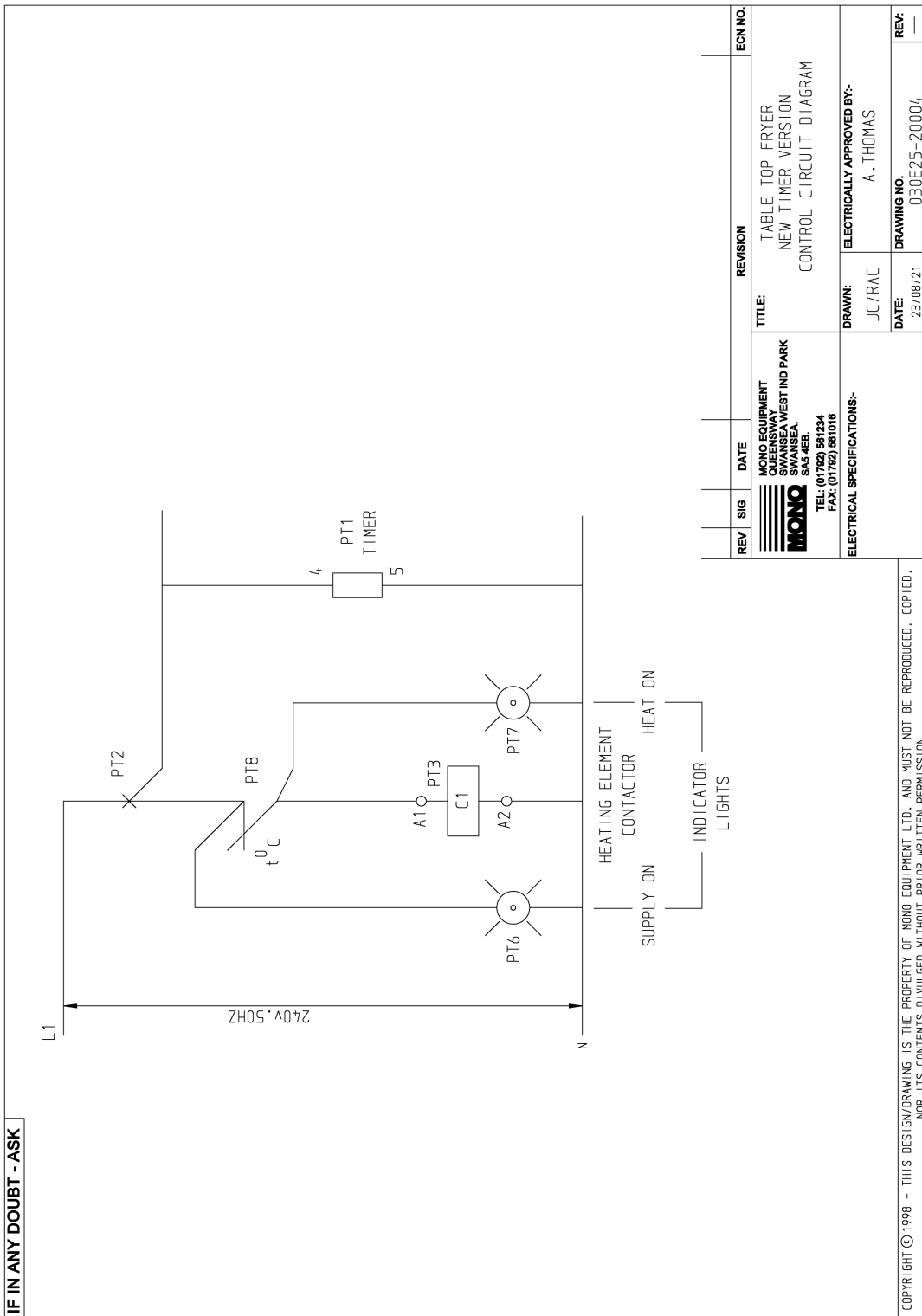
DRAWING PART No.	DESCRIPTION	PART No.	QTY
1	MAIN TIMER	B842-34-012	1
2	CONTROL MCB	B872-22-001	1
3	HEATER CONTACTOR	B801-08-007	1
4	OVERHEAT THERMOSTAT	B888-30-002	1
5	KILLER THERMOSTAT (IF FITTED)	B873-30-005	1
6	SUPPLY "ON" LIGHT	B842-43-005	1
7	HEAT "ON" LIGHT	B842-43-006	1
8	CONTROL THERMOSTAT	B873-30-013	1
12A	HEATING ELEMENT - 2KW	B847-04-028	1
12B	HEATING ELEMENT - 2KW	B847-04-028	1
12C	HEATING ELEMENT - 3KW	B847-04-029	1
	DIN RAIL C 100mm LONG	B852-26-009	0.055M
	TERMINAL BLOCKS	B852-50-022	4
	END PLATE	B852-40-016	1
	SHORTING LINKS	B852-13-019	2
	TERMINAL MARKER	B852-88-011	1
	TERMINAL MARKER	B852-88-012	1
	TERMINAL MARKER	B852-88-013	1
	TERMINAL MARKER	B852-88-014	1
	CABEL GLAND	B839-17-004	1
	MAINS CABLE	B886-72-001	3M
	LOCKNUT	B886-28-002	1
	SLEEVING - EXPANDIBLE	B842-87-003	1M
	CABLE - RED 1.5mm	B843-52-029	1.5M
	CABLE - BLUE 1.5mm	B843-52-025	1.5M
	CABLE - GREEN/YELLOW 1.5mm	B843-52-026	1M
	CABLE - RED 1.0mm	B843-52-001	1.5M
	CABLE - WHITE 1.0mm	B843-52-005	1.5M
	CABLE - BLUE 1.0mm	B843-52-002	1.5M

<b>REV</b>	<b>SIG</b>	<b>DATE</b>	<b>REVISION</b>	<b>ECH NO.</b>
			TITLE: TABLE TOP FRYER NEW TIMER VERSION PARTS LIST	
 <b>MONO EQUIPMENT</b> SWANSEA WEST IND PARK 484 WILSON SWANSEA, SAW 11EA TEL: (01792) 561034 FAX: (01792) 561016			<b>DRAWN:</b> JC/RAC	<b>ELECTRICALLY APPROVED BY:</b> A. THOMAS
<b>ELECTRICAL SPECIFICATIONS:-</b> 240V/1PH/50HZ			<b>DATE:</b> 23/08/2021	<b>DRAWING NO.</b> 030E25-20003
			<b>REV:</b> ---	

COPYRIGHT © 1998 - THIS DESIGN/DRAWING IS THE PROPERTY OF MONO EQUIPMENT LTD. AND MUST NOT BE REPRODUCED, COPIED, NOR ITS CONTENTS DIVULGED WITHOUT PRIOR WRITTEN PERMISSION.

Figure 6. New Timer Version Control Circuit Diagram 030E25-20004



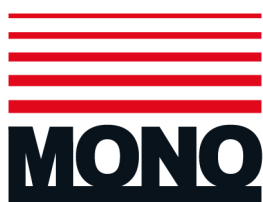


MONO Equipment is one of the leading designers and manufacturers of bakery and foodservice equipment in the United Kingdom. This proud heritage of British craftsmanship, combined with a reputation for creating high-quality, innovative products, can be traced back to its origins in 1947.

MONO Equipment's comprehensive range of doughnut equipment is available in a variety of sizes to suit most businesses - from the compact Table Top Fryer through to the ever popular Aztec Doughnut Fryer.

Manufactured in hygienic and easy-to-clean stainless steel, these highly versatile fryers are suitable for producing a wide range of yeast raised doughnuts.

MONO Equipment also supplies a wide range of specialist equipment to satisfy the constantly developing needs of the bakery, foodservice and confectionary markets.



### **MONO Equipment Limited**

Queensway  
Swansea West Industrial Park  
Swansea  
SA5 4EB

Tel: +44 (0)1792 561 234 (Switchboard)  
Tel: +44 (0)1792 564 000 (UK Sales)  
Tel: +44 (0)1792 564 004 (International Sales)  
Tel: +44 (0)1792 564 048 / +44 (0)1792 564 049 (Spares)  
Fax: +44 (0)1792 561 016

Email: [sales@monoequip.com](mailto:sales@monoequip.com)  
web: [www.monoequip.com](http://www.monoequip.com)



*Scan using your smart  
phone to view our  
website*

