

Innovative equipment
for traditional baking

Automatic Injector

MONO Equipment's Automatic Injector has been designed to consistently and accurately fill donuts and pastries with a wide range of fillings.

Featuring a 65K OLED color screen, the Automatic Injector can store up to 85 pictorial and up to 99 numerical programmes. The controller also incorporates variable speed and suck back settings which can be set for each programme to ensure exceptional accuracy. The Automatic Injector features two injector needles which make clean and accurate insertions into a wide range of fillings - without mess or waste.

Fillings can be quickly and easily altered by simply changing the reinforced plastic hoppers.



Features and Benefits

- Suitable for filling a wide range of donuts and pastries
- Features 65k Oled Color Touch Screen
- User modes available include pictorial, numerical, manual, continuous and guest
- Variable speed function
- Quick and easy one person set up and operation
- Stores up to 99 numerical and 85 pictorial programmes
- Now with a programmable suck back function
- Fills up to 1,200 pieces per hour
- Fillings quickly and easily changed
- Exceptional accuracy of fillings
- Generous 20lbs hopper capacity
- Delivers fillings between 1/4oz to 31oz
- Eliminates mess and wastage
- Single phase 'Plug-&-Play'
- Optional Foot pedal activator available
- Takes up minimum countertop space
- 2-year warranty

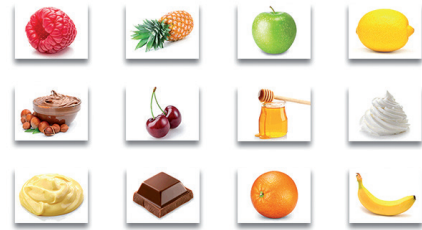
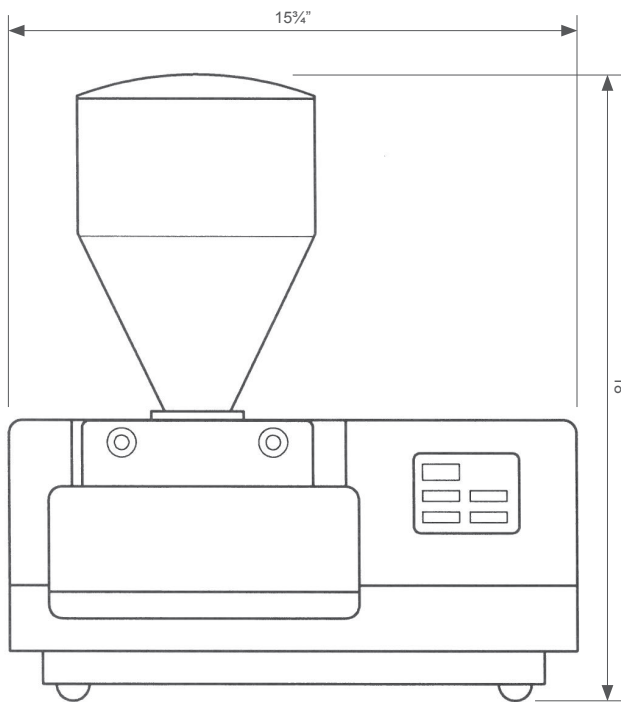
Options

- Foot pedal activator
- Additional hoppers
- Ring doughnut injector needles

Specifications and Dimensions

Specifications	Automatic Injector
Height to hopper	18"
Height without hopper	8"
Depth	14"
Width	15¾"
Weight	23lbs
Output per hour	1,200
Hopper capacity	20lbs
Number of Programmes	99 numerical 85 pictorial
Electrics:	
Power Supply	120v, 1 phase, 60Hz (2wire and ground)
Noise level	Less than 85db

Specifications correct at time of publication.
MONO Equipment reserves the right to amend the specification without prior notice.



A range of colorful icons feature on the OLED Color Screen



Additional hoppers available



4-prong needle assemble and cover for ring donuts



Needles (44mm long)



Optional foot activator pedal



Needles (70mm long)