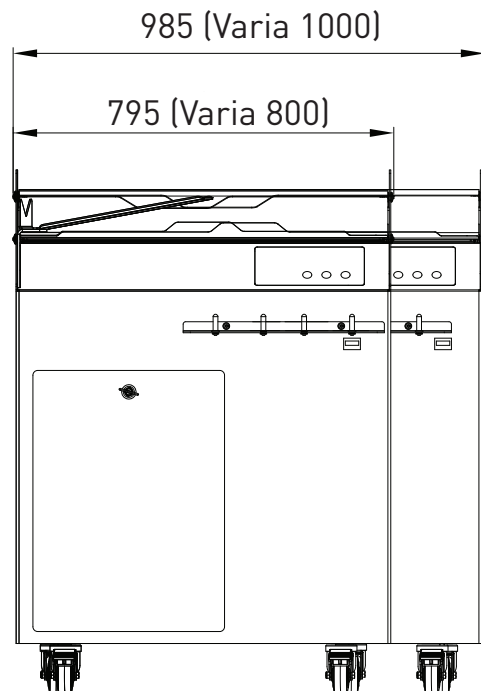
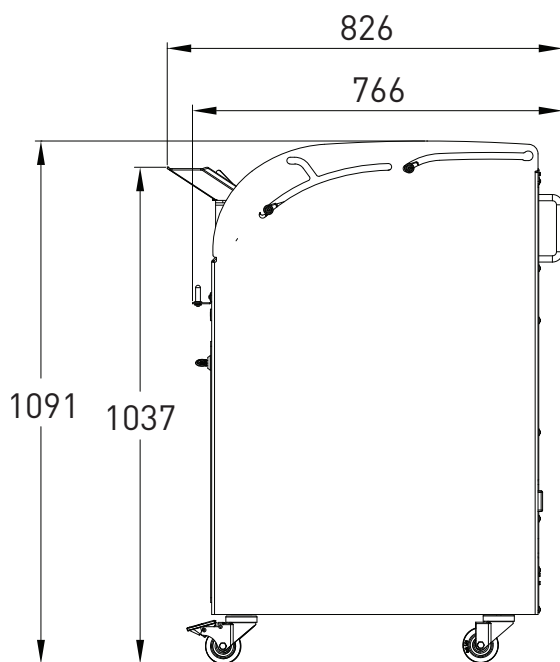


# Self-service circular blade slicers

## VARIA SELF

- ✓ Choice in the number of slices, singles, by half-loaf or whole loaf
- ✓ Maximum safety
- ✓ Exemplary hygiene
- ✓ Stainless or painted steel finish
- ✓ Oil-free cutting

Up to 120 slices a minute





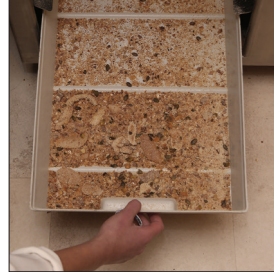
**Automatic claw**  
Stabilises the loaf during slicing and makes handling safer.  
- Ergonomics  
- Ease of use  
- Efficiency



**Teflon-coated circular blade**  
Non-stick for the clean cutting of all types of bread.



**Control panel**  
Allows the user to select a thickness between 5 and 25 mm\*



**Removable crumb collector**  
Made of light-weight material  
18 L capacity.



**Safety cover**  
Locked during the cutting cycle, prevents access to the blade.



**Option**  
**Touch keypad**  
Quick and easy to use.



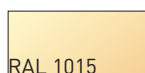
**Option**  
**Bag holder**  
Facilitates bread bagging

\* Thickness to be determined according to the style of bread.

FEATURES	VARIA SELF 800	VARIA SELF 1000
Size of entry channel (L x W x H) in cm	36 x 28.5 x 16	43 x 28.5 x 16
Slice thickness in mm	Can be set from 5 to 25mm*	Can be set from 5 to 25mm*
Type of motor	230V three-phase 400V three-phase	230V three-phase 400V three-phase
Motor power in kW	1.1	1.1
Net weight (in kg)	220	230
Cleaning position	•	•
Blade type and dimensions in mm	420 mm diameter, Teflon-coated	420 mm diameter, Teflon-coated

CHOICES	VARIA SELF 800	VARIA SELF 1000
Standard colour (not compatible with stainless steel exterior)**	•	•
<b>OPTIONS</b>		
Stainless steel exterior	•	•
Touch keypad	•	•
Bag holder	•	•
Users explanatory notice	•	•
Special colour (not compatible with stainless steel exterior)	•	•

\*\*STANDARD COLOURS



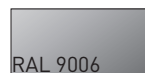
RAL 1015



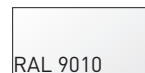
RAL 3013



RAL 9005



RAL 9006



RAL 9010