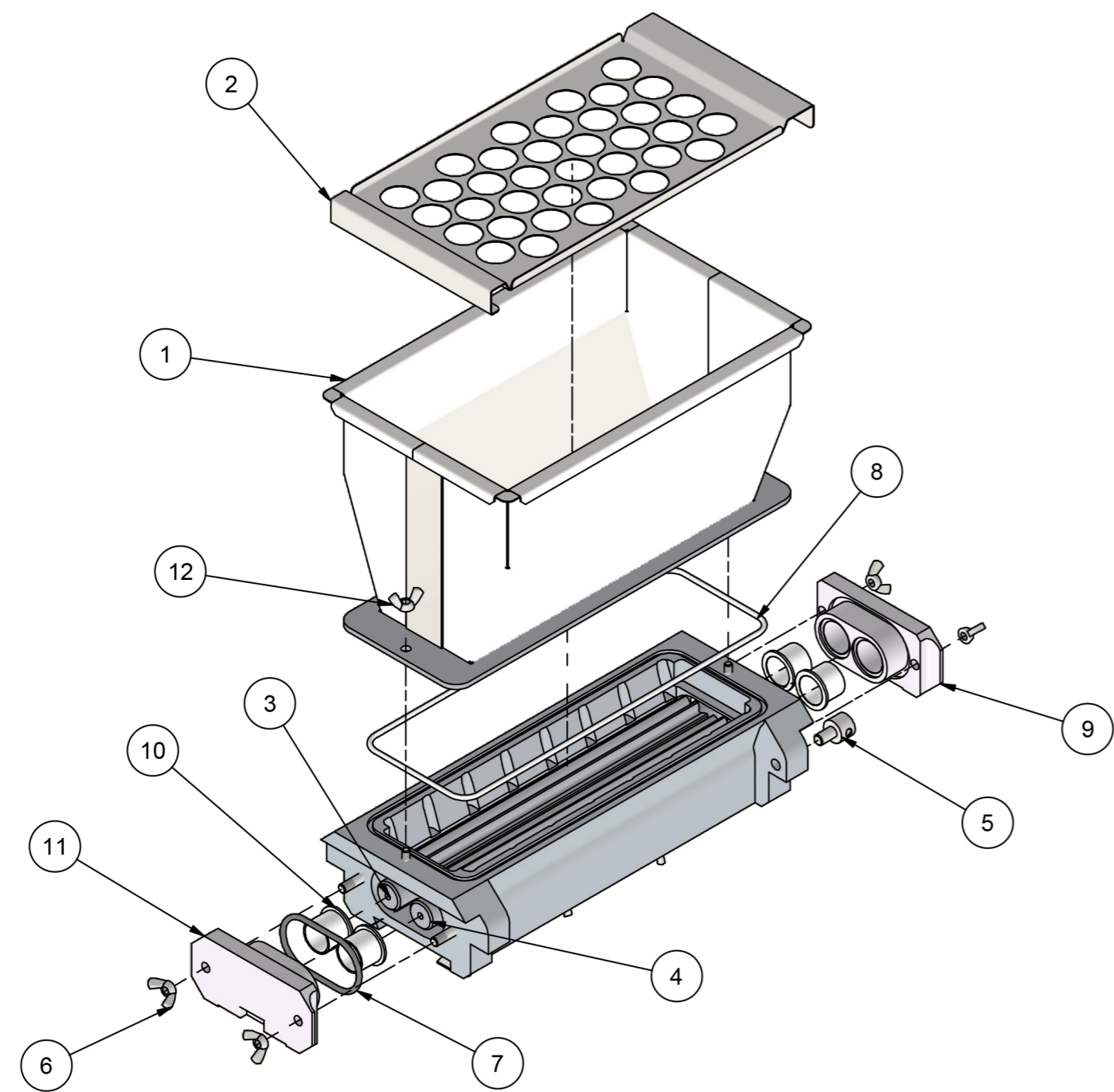


SOFT DOUGH HOPPER PARTS

HOPPER SIZE	SOFT DOUGH HOPPER	POUR THROUGH GUARD
400	080-09-00008	080-09-00010
450	080-09-00011	080-09-00014

PARTS LIST

ITEM	PART NUMBER	DESCRIPTION	QTY
1	080-09-00008	HOPPER FABN 400mm - SOFT DOUGH LOW PROFILE FLANGE	1
2	080-09-00010	SAFETY GUARD - 400H SD	1
3	073-09-00700	10T DRIVER - 400mm HOPPER GEAR	1
4	073-09-00702	10T DRIVEN - 400mm HOPPER GEAR	1
5	080-09-01300	LOCATING BOSS	1
6	A900-04-147	WING NUT M10 STAIN.ST	4
7	A900-12-074	O-RING 84.3 ID x 5.7 SECTION	1
8	A900-12-083	O-RING 345 ID x 5.5 DIA	1
9	073-09-00500	HOPPER END CAP - DRIVE SIDE	1
10	073-09-00600	END CAP BUSH	2
11	073-09-03200	HOPPER END CAP IDLER	1
12	A900-04-147	WING NUT M10 STAIN.ST	2




 QUEENSWAY
 SWANSEA WEST IND. PARK
 SWANSEA SA5 4EB
 TEL 01792 561234
 FAX 01792 561016

EPSILON 400 SOFT MIX HOPPER