

SOFT DOUGH HOPPER PARTS

HOPPER SIZE	STANDARD HOPPER (SOFT DOUGH) (2)	EXTENDED HOPPER (SOFT DOUGH) (2)	POUR THROUGH GUARD STANDARD (SOFT DOUGH) (5)	POUR THROUGH GUARD EXTENDED (SOFT DOUGH) (5)
400	078-09-00008	073-09-00200	078-11-00066	078-11-00063
450	078-09-00001	073-09-00202	078-11-00067	078-11-00064
580	078-09-00046	073-09-00203	078-11-00068	078-11-00065

HARD DOUGH HOPPER PARTS

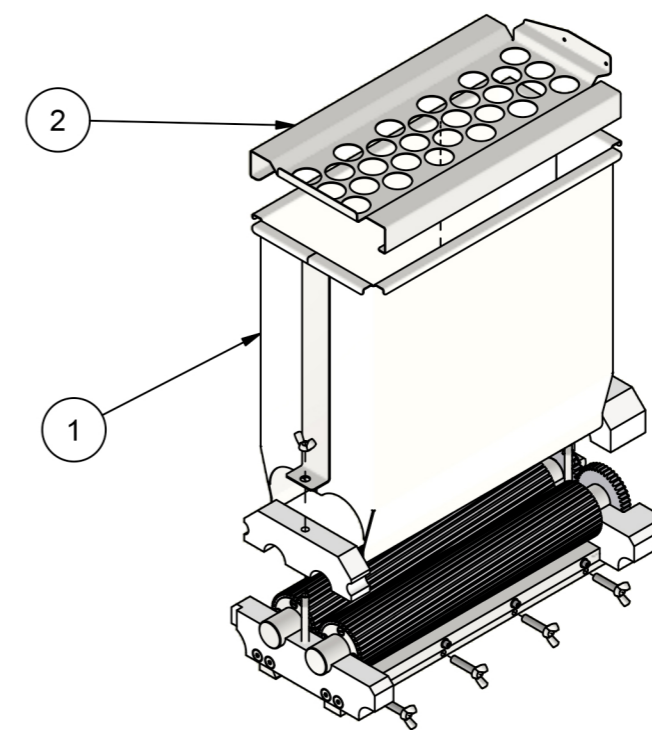
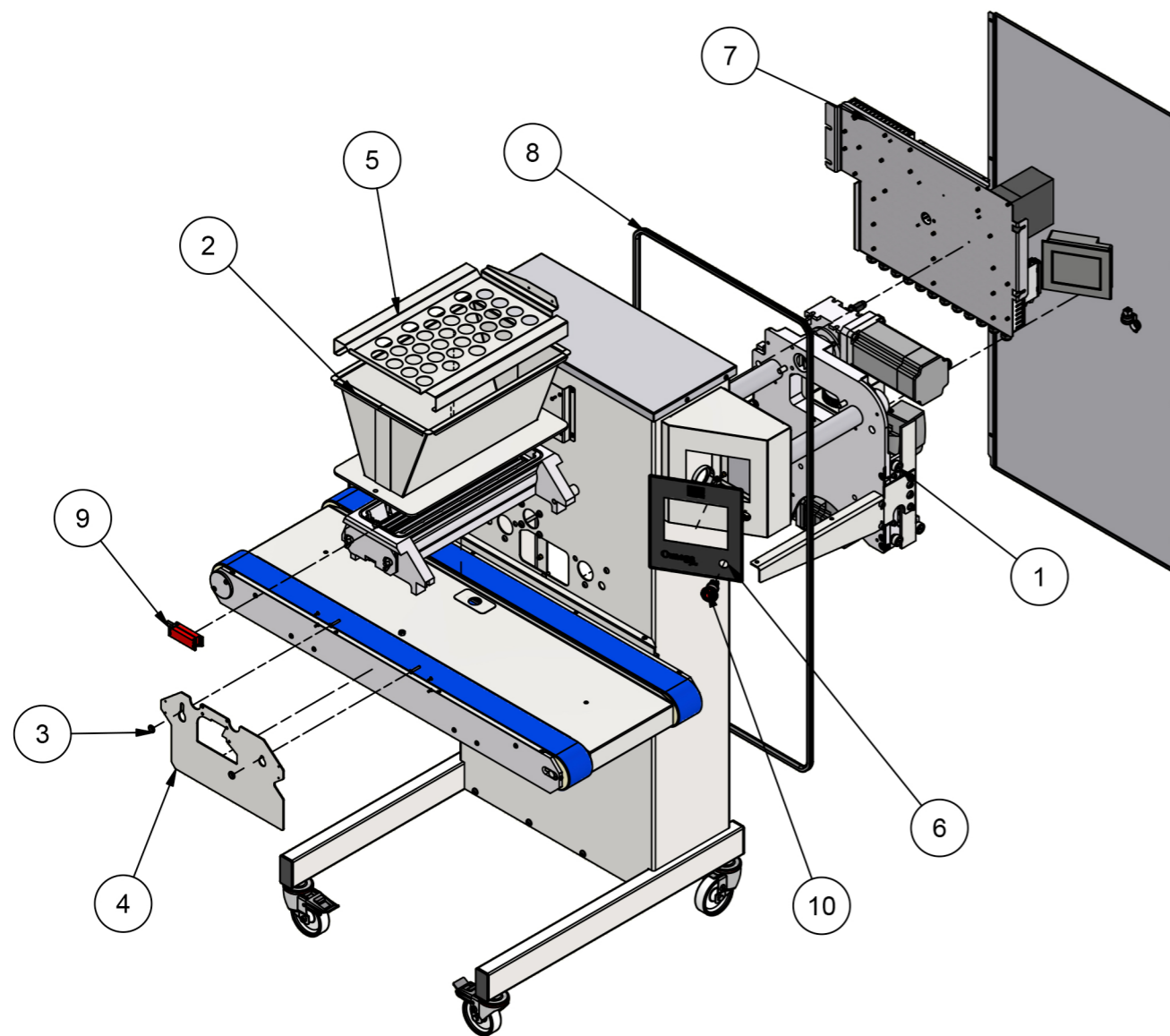
HOPPER SIZE	STANDARD HOPPER (HARD DOUGH) (1)	EXTENDED HOPPER (HARD DOUGH) (1)	POUR THROUGH GUARD (HARD DOUGH) (2)	POUR THROUGH GUARD EXTENDED (HARD DOUGH) (2)
400	078-09-00086	078-09-00087	078-11-00060	078-09-00087
450	078-09-00042	078-09-00088	078-11-00061	078-09-00088
580	078-09-00089	078-09-00092	078-11-00062	078-09-00092

PARTS LIST

ITEM	PART NUMBER	DESCRIPTION
1	078-03-00052	MECH DRIVE ASSY - OMEGA PLUS (400/450)
2	078-09-00001	HOPPER FABN - 450mm
3	078-11-00035	RETAINER - END GUARD
4	078-11-00036	END GUARD (STAINLESS STEEL)
5	078-11-00067	POUR THROUGH GUARD (450mm) - OMEGA SOFT DOUGH HOPPER STD
6	078-90-00002	OMEGA PLUS OVERLAY
7	079-25-00147	ELECTRICAL PANEL ASSY - OMEGA PLUS
8	A900-25-309	DRAUGHT EXCLUDER - COMPOSITE SELF GRIP TYPE
9	B801-07-005	MAGNETIC SAFETY SWITCH
10	B801-12-003	PUSH LOCK STOP TYPE ZB4 BS54

HARD DOUGH HOPPER

ITEM	PART NUMBER	DESCRIPTION
1	078-09-00088	HOPPER FABN 450mm - EXTENDED HARD DOUGH
2	078-11-00061	POUR THROUGH GUARD (450mm) - OMEGA HARD DOUGH HOPPER




 QUEENSWAY
 SWANSEA WEST IND. PARK
 SWANSEA SA5 4EB
 TEL 01792 561234
 FAX 01792 561016

**OMEGA PLUS 400, 450 & 580
MAIN ASSEMBLY**