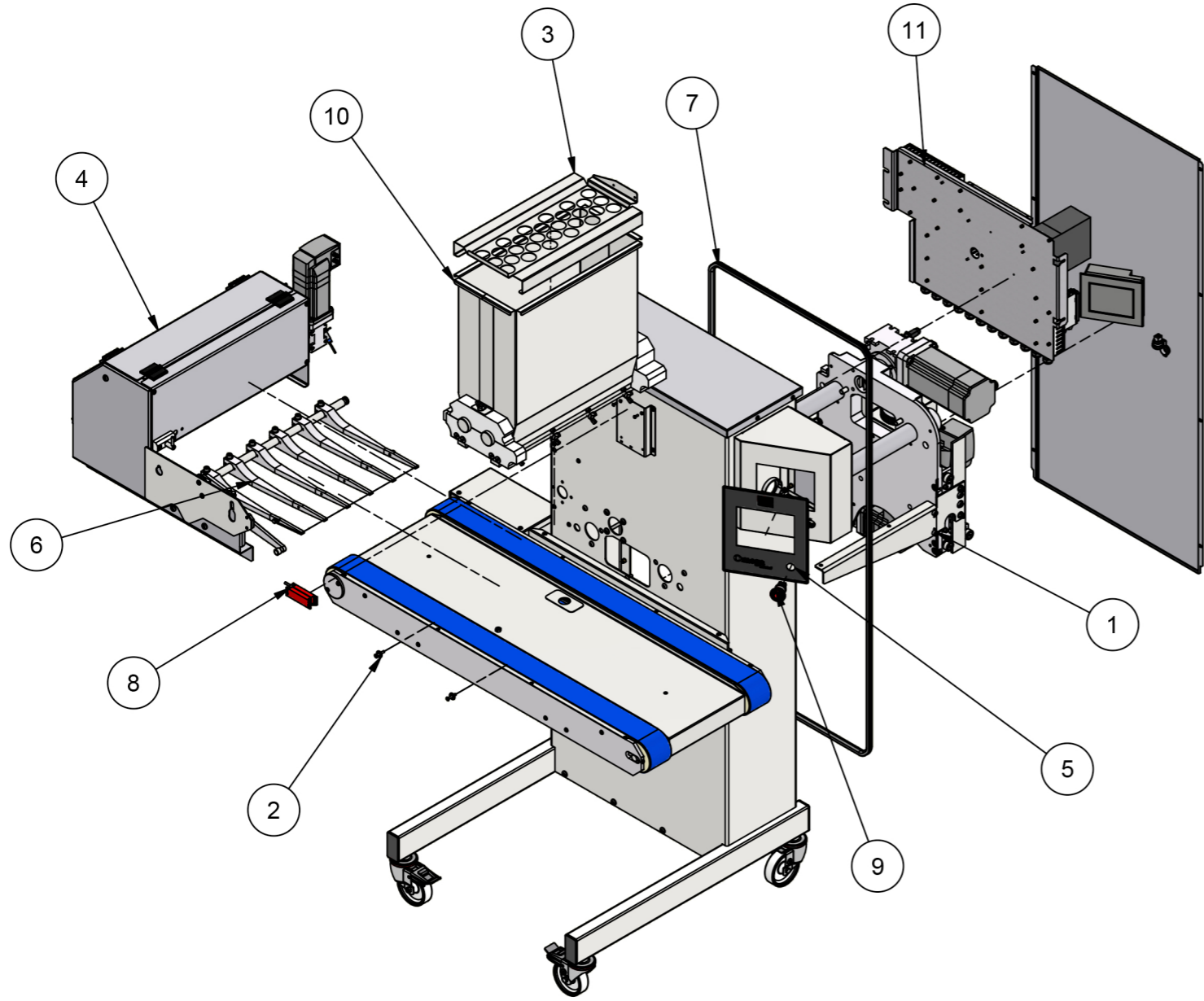


OMEGA HARD DOUGH HOPPERS

HOPPER SIZE	STANDARD HOPPER (10)	EXTENDED HOPPER (10)	POUR THROUGH GUARD (3)
400	078-09-00086	078-09-00087	078-11-00060
450	078-09-00042	078-09-00088	078-11-00061

PARTS LIST

ITEM	PART NUMBER	DESCRIPTION
1	078-03-00052	MECH DRIVE ASSY - OMEGA PLUS (400/450)
2	078-11-00035	RETAINER - END GUARD
3	078-11-00061	POUR THROUGH GUARD (450mm) - OMEGA HARD DOUGH HOPPER
4	078-12-00000	WIRECUT KIT - 400/450 HOPPER - OMEGA
5	078-90-00003	OMEGA WIRECUT OVERLAY
6	079-13F00***	WIRECUT FINGER FRAME ASSY
7	A900-25-309	DRAUGHT EXCLUDER - COMPOSITE SELF GRIP TYPE
8	B801-07-005	MAGNETIC SAFETY SWITCH
9	B801-12-003	PUSH LOCK STOP TYPE ZB4 BS54
10	M078S-450EHDH	HOPPER ASSY - 450mm EXTENDED HARD DOUGH SPIRAL ROLLERS
11	079-25-00149	ELECTRICAL PANEL ASSY - OMEGA WIRECUT




 QUEENSWAY
 SWANSEA WEST IND. PARK
 SWANSEA SA5 4EB
 TEL 01792 561234
 FAX 01792 561016

**OMEGA PLUS WITH WIRECUT
400 & 450 MAIN ASSEMBLY**