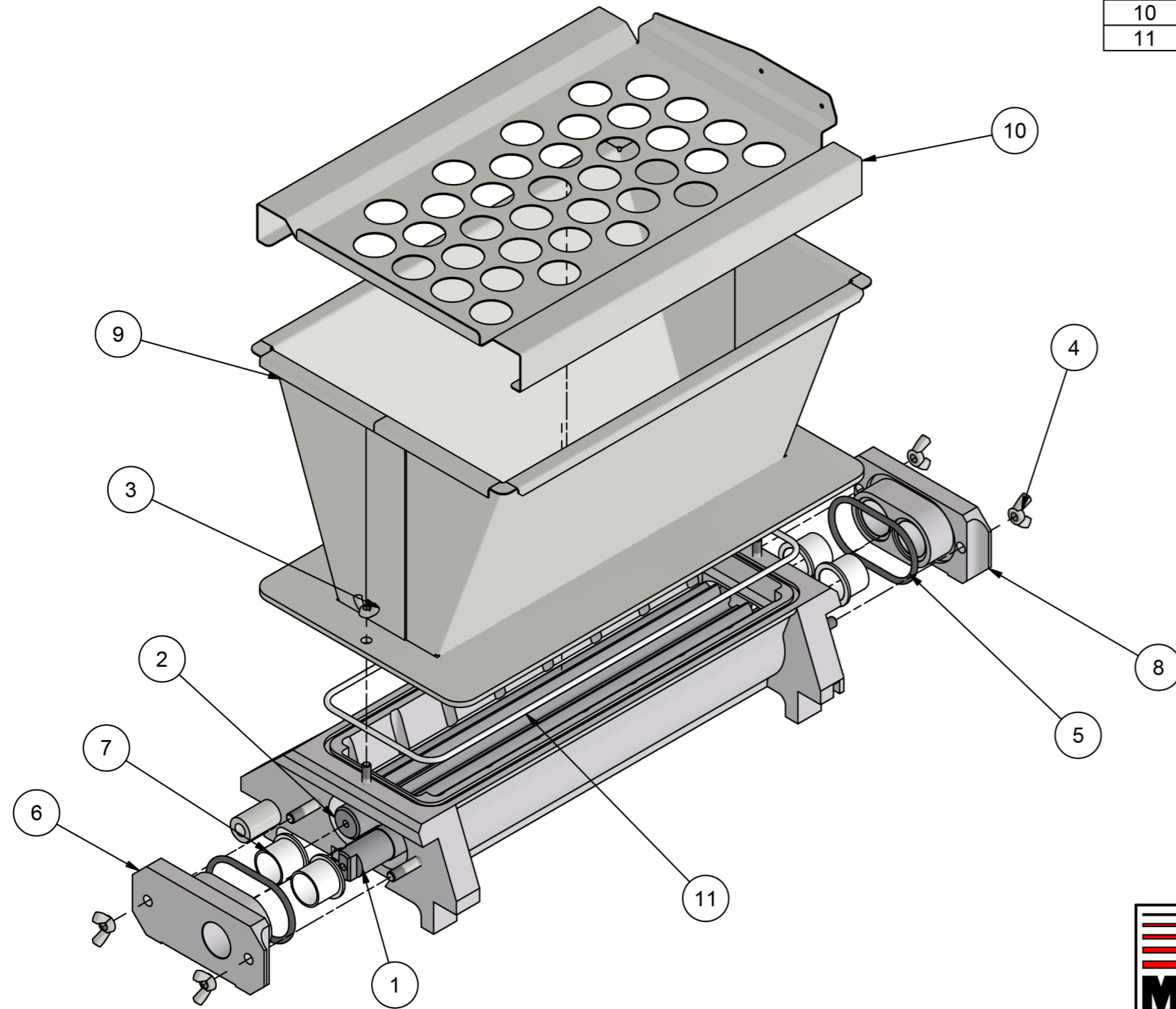


SOFT DOUGH HOPPER SPARE PARTS

HOPPER SIZE	STANDARD HOPPER (9)	EXTENDED HOPPER (9)	HOPPER SEAL (11)	DRIVEN GEAR (2)	DRIVE GEAR (1)	POUR THROUGH GUARD (10)
400	078-09-00008	073-09-00200	A900-12-083	073-09-00702	073-09-00700	078-11-00066
450	078-09-00001	073-09-00202	A900-12-084	073-09-01602	073-09-01600	078-11-00067
580	078-09-00046	073-09-00203	A900-12-085	073-09-01702	073-09-01700	078-11-00068

PARTS LIST

ITEM	PART NUMBER	DESCRIPTION
1	073-09-01600	10T DRIVER - 450mm HOPPER GEAR
2	073-09-01602	10T DRIVEN - 450mm HOPPER GEAR
3	A900-04-043	M8 Wing Nut (ST/ST)
4	A900-04-147	WING NUT M10 STAIN.ST
5	A900-12-074	O-RING 84.3 ID x 5.7 SECTION
6	073-09-00500	HOPPER END CAP - DRIVE SIDE
7	073-09-00600	END CAP BUSH
8	073-09-03200	HOPPER END CAP IDLER
9	078-09-00001	HOPPER FABN - 450mm
10	078-11-00067	POUR THROUGH GUARD (450mm) - OMEGA SOFT DOUGH HOPPER STD
11	A900-12-084	O-RING 375 ID x 5.5 DIA




 QUEENSWAY
 SWANSEA WEST IND. PARK
 SWANSEA SA5 4EB
 TEL 01792 561234
 FAX 01792 561016

OMEGA 400, 450 & 580 SOFT MIX HOPPER ASSEMBLY