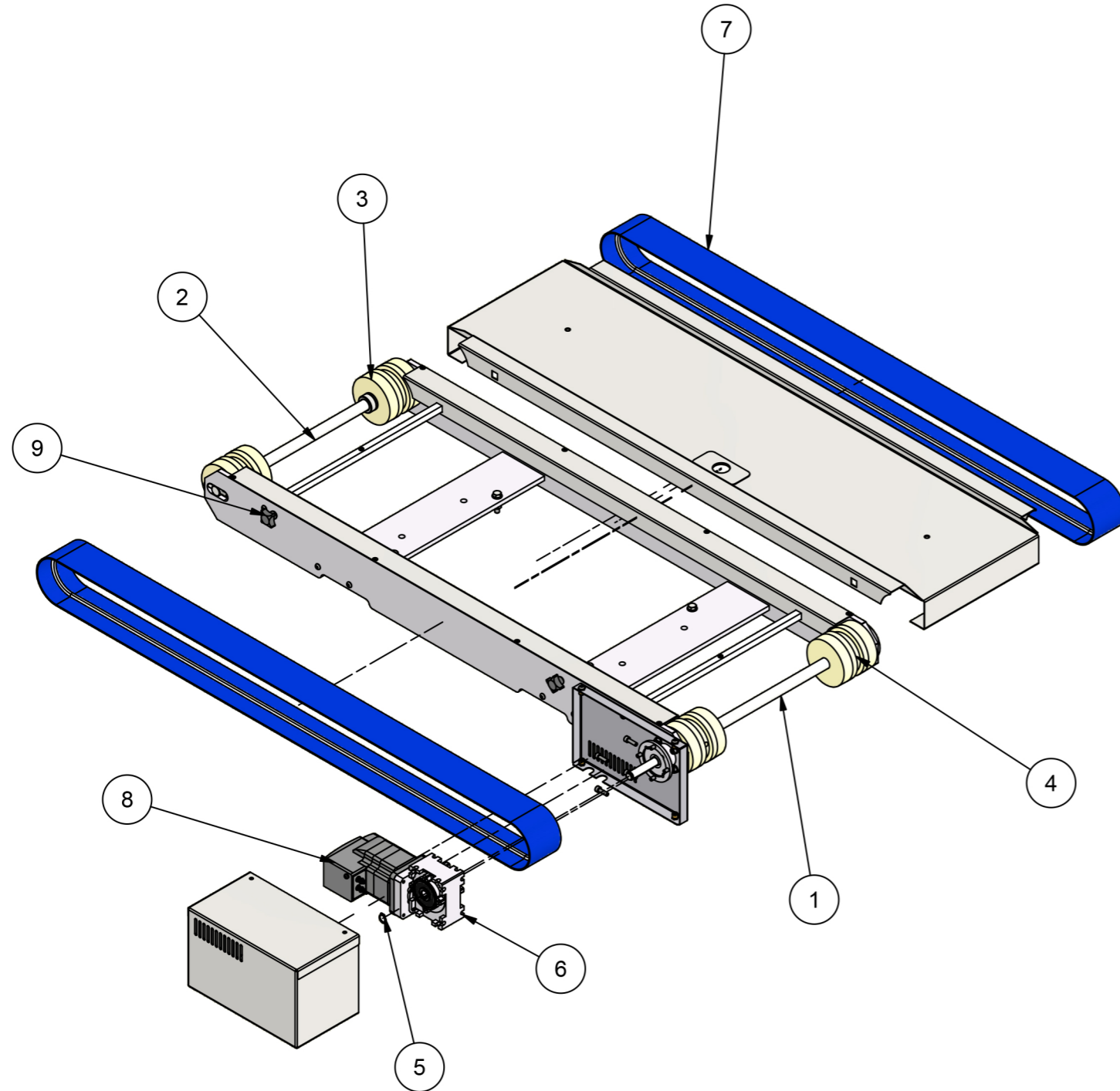


PARTS LIST		
ITEM	PART NUMBER	DESCRIPTION
1	078-08-00003	DRIVE SHAFT
2	078-08-00004	IDLE SHAFT
3	078-08-00015	IDLE PULLEY
4	078-08-00017	DRIVE PULLEY
5	A900-01-280	CIRCLIP-EXT METRIC 14mm DIA
6	A900-11-091	GEARBOX ASSY
7	A900-22-120	BELT - CONVEYOR
8	B780-74-002	STEPPER MOTOR TYPE IFS91
9	P700-04-018	THUMB SCREW (STAR) TYPE 1507/M - PART No 15163V-( M6 x 20)




 QUEENSWAY  
 SWANSEA WEST IND. PARK  
 SWANSEA SA5 4EB  
 TEL 01792 561234  
 FAX 01792 561016

# OMEGA

## TABLE AND CONVEYOR ASSEMBLY