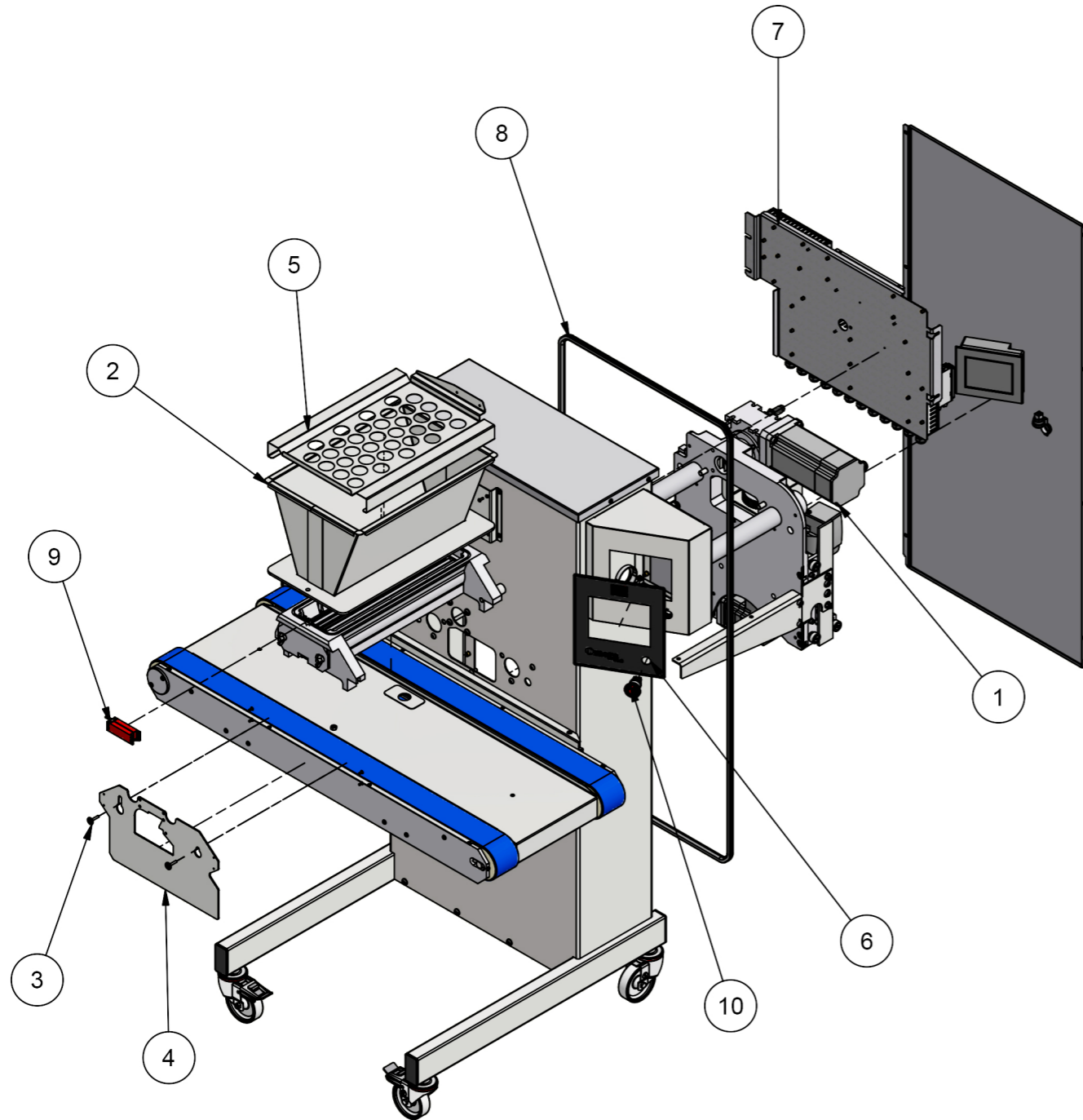


OMEGA TOUCH HOPPERS

HOPPER SIZE	STANDARD HOPPER (2)	EXTENDED HOPPER (2)	POUR THROUGH GUARD (5)	POUR THROUGH GUARD EXTENDED (5)
400	078-09-00008	073-09-00200	078-11-00066	078-11-00063
450	078-09-00001	073-09-00202	078-11-00067	078-11-00064
580	078-09-00046	073-09-00203	078-11-00068	078-11-00065

PARTS LIST

ITEM	PART NUMBER	DESCRIPTION
1	078-03-00052	MECH DRIVE ASSY - OMEGA PLUS (400/450)
2	078-09-00001	HOPPER FABN - 450mm
3	078-11-00035	RETAINER - END GUARD
4	078-11-00036	END GUARD (STAINLESS STEEL)
5	078-11-00067	POUR THROUGH GUARD (450mm) - OMEGA SOFT DOUGH HOPPER STD
6	078-90-00001	OMEGA TOUCH OVERLAY
7	079-25-00146	ELECTRICAL PANEL ASSY - OMEGA TOUCH
8	A900-25-309	DRAUGHT EXCLUDER - COMPOSITE SELF GRIP TYPE
9	B801-07-005	MAGNETIC SAFETY SWITCH
10	B801-12-003	PUSH LOCK STOP TYPE ZB4 BS54




 QUEENSWAY
 SWANSEA WEST IND. PARK
 SWANSEA SA5 4EB
 TEL 01792 561234
 FAX 01792 561016

OMEGA TOUCH 400, 450 & 580 MAIN ASSEMBLY