

SOFT DOUGH HOPPER SPARE PARTS

| HOPPER SIZE | STANDARD HOPPER (10) | EXTENDED HOPPER (10) | HOPPER SEAL (12) | DRIVEN GEAR (2) | DRIVE GEAR (1) | POUR THROUGH GUARD (11) | POUR THROUGH EXTENDED GUARD (11) | HOPPER BASE (3) |
|-------------|----------------------|----------------------|------------------|-----------------|----------------|-------------------------|----------------------------------|-----------------|
| 400 | 078-09-00008 | 073-09-00200 | A900-12-083 | 073-09-00702 | 073-09-00700 | 078-11-00066 | 078-11-00063 | 073-09-02000 |
| 450 | 078-09-00001 | 073-09-00202 | A900-12-084 | 073-09-01602 | 073-09-01600 | 078-11-00067 | 078-11-00064 | 073-09-02002 |
| 580 | 078-09-00046 | 073-09-00203 | A900-12-085 | 073-09-01702 | 073-09-01700 | 078-11-00068 | 078-11-00065 | 073-09-02003 |

PARTS LIST

| ITEM | PART NUMBER | DESCRIPTION |
|------|--------------|--|
| 1 | 073-09-01600 | 10T DRIVER - 450mm HOPPER GEAR |
| 2 | 073-09-01602 | 10T DRIVEN - 450mm HOPPER GEAR |
| 3 | 073-09-02002 | PUMP CASING (SOFT DOUGH) - 450mm - MACHINED |
| 4 | A900-04-043 | M8 Wing Nut (ST/ST) |
| 5 | A900-04-147 | WING NUT M10 STAIN.ST |
| 6 | A900-12-074 | O-RING 84.3 ID x 5.7 SECTION |
| 7 | 073-09-03200 | HOPPER END CAP IDLER |
| 8 | 073-09-00600 | END CAP BUSH |
| 9 | 073-09-00500 | HOPPER END CAP - DRIVE SIDE |
| 10 | 078-09-00001 | HOPPER FABN - 450mm |
| 11 | 078-11-00067 | POUR THROUGH GUARD (450mm) - OMEGA SOFT DOUGH HOPPER STD |
| 12 | A900-12-084 | O-RING 375 ID x 5.5 DIA |

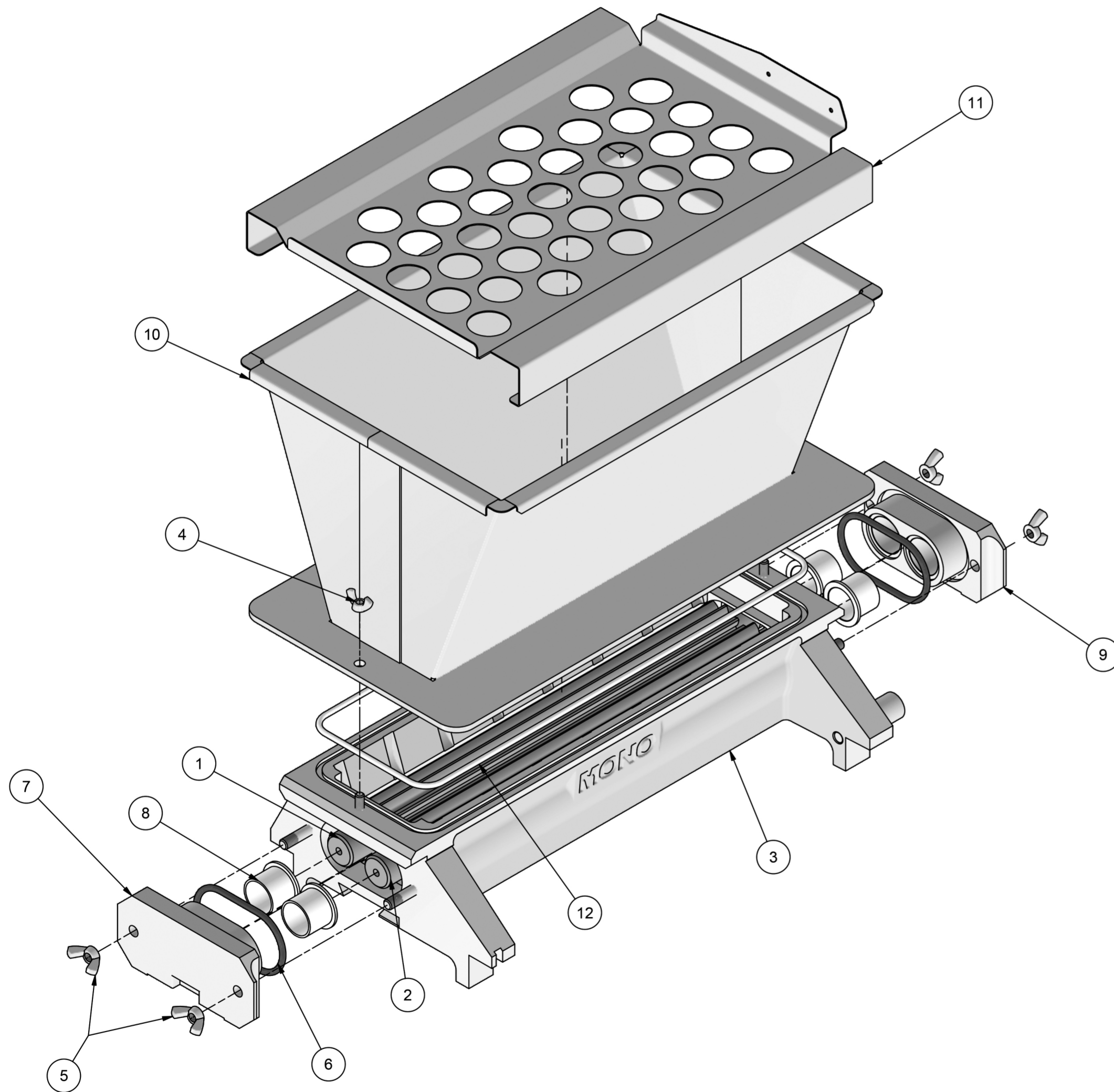
KITS

M073-KSX020 (END CAP ASSEMBLY - IDLER)

- 073-09-03200 (HOPPER END CAP - IDLER)
- 073-09-00600 (END CAP BUSH)

M073-KSX023 (END CAP ASSEMBLY - DRIVE END)

- 073-09-00500 (HOPPER END CAP - DRIVE SIDE)
- 073-09-00600 (END CAP BUSH)



OMEGA 400, 450, 580
Soft Mix Hopper