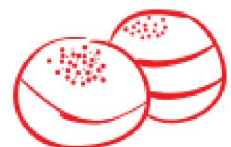




# BDP

## HORIZONTAL SLICERS



# BDP-400/1000-UK

Cutting machine BDP-400 is designed to horizontally cut cakes, bread, biscuits and other bakery and confectionery products. Products are compressed between two infeed conveyors. The band saw cuts the product horizontally according to selected cutting height. Moreover, we manufacture BDP – 400 – UK. A horizontal slicing machine made for industrial bakeries according to the safety regulations in the United Kingdom. This slicer does a stable job 24/7, BDP-1000-UK version lets you obtain maximum productivity without stopping the process for big capacities of production. BDP – 400 – UK can be used as a part of an automatic line or for individual work.



## TECHNICAL DATA

Length of product	Endless shape
Width of product	up to 400 mm
Height of product	10-80 mm
Cut height	5-40 mm
Productivity (It depends on the product)	60 pcs/min
Power input	1 kW, 2A
Power supply	400 V, 50 Hz
Weight	220 kg

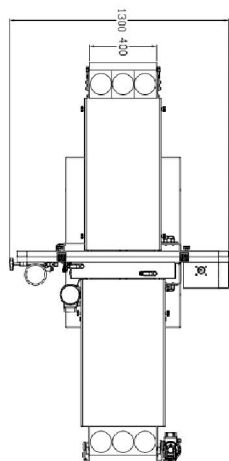
## SUITABLE FOR PRODUCTS

- Hamburger buns
- Hot-dog buns
- Biscuits
- Panini
- Baguettes
- Bagels
- Welsh cake
- Rye bread
- Kaiser roll

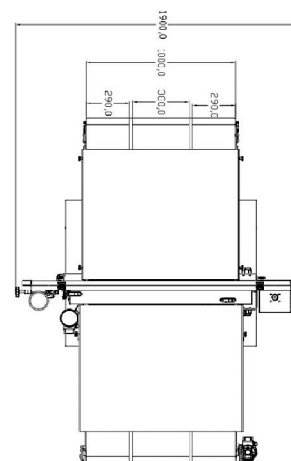
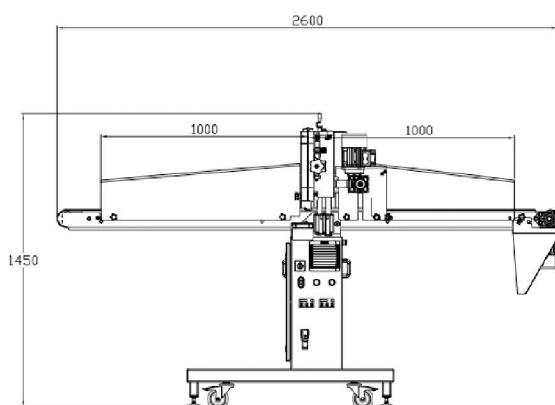
## FEATURES

- Possibility to adjust speed of conveyor
- Possibility to adjust speed of the blade
- New lubrication of oil system for lower expenses
- Option for second band saw to cut product in three parts
- Stainless steel design

## BDP-400-UK



## BDP-1000-UK



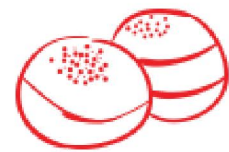
## CUTTING TYPES

Full cut



Double full cut





This equipment was built for medium and large scale bakeries, for horizontal slicing of bakery products. BDP – DD – 500 can easily cut wide range of different buns and breads. Cut products from one or both sides (partial or full cuts). It is possible to choose depth of cut, height of product or cut, speed of transporter or blades. A horizontal slicing machine made for industrial bakeries according to the safety regulations in the United Kingdom.

## TECHNICAL DATA

Gap between cuts	3-30 mm
Depth of cut	70 mm
Height of product	20-80 mm
Cut height	10-40 mm
Productivity (It depends on the product and cutting type)	100 pcs/min
Power input	2 kW, 2A
Power supply	400 V, 50 Hz
Weight	300 kg



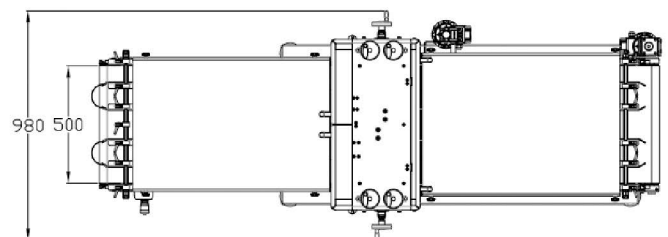
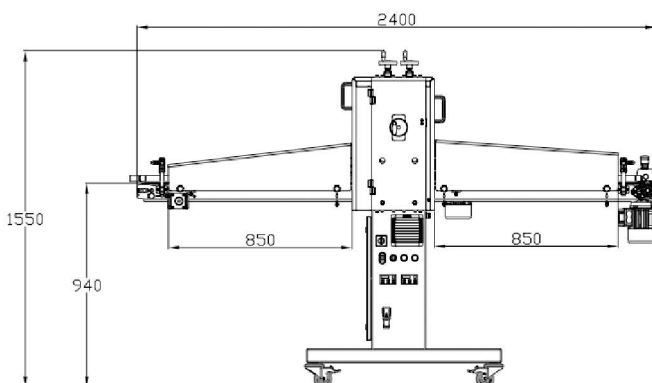
## SUITABLE FOR PRODUCTS

- Hamburger buns
- Hot-dog buns
- Biscuits
- Panini
- Baguettes
- Bagels
- Welsh cake
- Rye bread
- Kaiser roll

## FEATURES

- Possibility to adjust speed of conveyor
- Possibility to adjust speed of the blades
- Stainless steel design

## BDP-DD-500-UK



Hinge cut



Butterfly cut



CUTTING TYPES



- **EQUIPMENT FOR BAKERIES**
- **EQUIPMENT FOR BREAD SLICING AND PACKAGING**
- **SOLUTIONS FOR AUTOMATION**

- **We speak: Lithuanian, English, Russian, Spanish, Polish**
- **Experience since 1992**
- **Up to 30 successful projects per year**
- **90 employees**
- **Private Design Department**
- **Private Manufacturing Facility**



**DOVAINA, UAB**  
Uoles str. 16, Kaisiadorys str.,  
LT-56341, Lithuania  
Tel. +370 34646618  
[www.dovaina.lt](http://www.dovaina.lt)

