

NEW MONO Compact Harmony Modular Deck Oven



MONO Equipment's **NEW** Compact Harmony Bakery Deck oven provides the ideal solution for businesses where space is at a premium but you still wish to offer your customers a wide range of freshly baked products.

Our NEW 2-tray wide Compact Harmony Bakery Deck Oven has a smaller footprint than our standard Harmony Bakery Deck Oven range and is just 1,354mm wide by 1,118mm deep with a usable area of 880mm wide by 630mm deep per deck.

Available in a 2-tray wide, and from 1 to 5-decks high, each deck can hold up to two 600mm x 400mm baking trays and features heavy sole plates which are perfect for baking an exquisite range of artisan and oven bottom bread where a beautiful crust and outstanding sheen is essential. The oven also accommodates Gastronorm GN1/1 size trays.

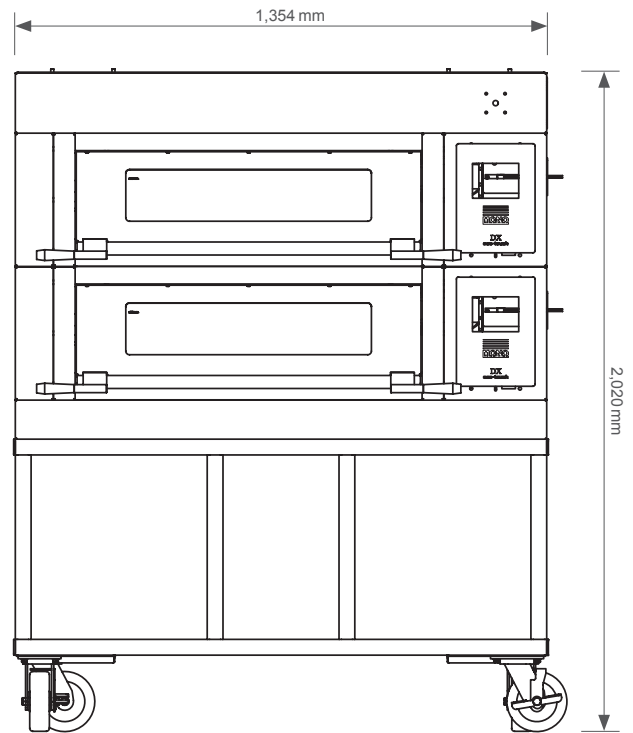


Features and Benefits

- Reduced depth and width – just 1,354mm(w) x 1,115mm(d)
- Suitable for 600mm x 400mm trays & Gastronorm GN1/1
- Each deck can hold up to 2 trays
- Can be stacked up to 5 decks high
- Available in 2-tray width models
- Independent controls for top and bottom elements to create the perfect balance of heat
- Single-piece, heavy sole plates for evenly distributed bottom heat perfect for traditional oven-bottom bread
- Patented Cumulus Steam Generating System
- Choice of control panels Classic or Eco-Touch
- Each deck separately controlled for complete flexibility
- All decks have a generous 8" crown
- Rapid heat recovery rate
- Provides a gentle mellow bake each time
- Simple damper facility
- Illuminated bake chamber uses halogen bulbs with external access
- Helps reduce energy consumption by only heating the decks required
- Engineered in hygienic stainless steel for quick and easy cleaning
- Modular components – make it suitable for installation in basements or above-ground-level locations
- Generous slabs of rock wool insulation deliver exceptional heat retention
- 2-year UK warranty

Specifications and Dimensions

Specifications	2-Trays Wide
Width (mm)	1,354mm (53.25")
Depth (mm)	1,115mm (43.75")
Height - 2 decks (including base & top finishing section)	2,020mm (79.5")
Height - 3 decks (including base & top finishing section)	2,020mm (79.5")
Height - 4 decks (including base & top finishing section)	2,020mm (79.5")
Height - 5 decks (including base & top finishing section)	2,140mm (84.25")
Internal deck height with door open	192mm (7.5")
Number of trays per deck (600mm x 400mm)	2
Number of Programmes (Classic)	9
Number of Programmes (Eco-Touch)	240
Electrics	
Power Supply	3-phase plus E and N, 400v, 50Hz, 4.8kW, 7.5 Amps per phase per deck

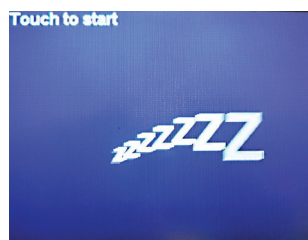


The Eco-Touch Controller



The Classic Controller

Each deck carries its own independently controlled Eco-Touch or Classic Controller.



The Sleep Mode function can significantly reduce energy consumption when initiated.



The 7-Day Timer provides the facility to pre-programme the Harmony Modular Deck Oven to reach the desired optimum pre-bake temperature at a specific time for each day.

