

www.monoequip.com

Enter **Serial No.** here. _____

In the event of an enquiry please quote this serial number.

Bx OVEN

ELECTRICAL INFORMATION

FOR ENGINEERS USE ONLY.
DO NOT ATTEMPT ANY ALTERATIONS.
IF IN DOUBT, CONTACT MONO FOR ADVICE

COLOUR VERSION

ELECTRICAL SAFETY AND ADVICE REGARDING SUPPLEMENTARY ELECTRICAL PROTECTION:

Commercial bakeries, kitchens and food service areas are environments where electrical appliances may be located close to liquids, or operate in and around damp conditions, or where restricted movement for installation and service is evident.

The installation and periodic inspection of the appliance should only be undertaken by a qualified, skilled and competent electrician, and connected to the correct supply suitable for the load as stipulated by the appliance data label.

The electrical installation and connections should meet the necessary requirements of the local electrical wiring regulations and any electrical safety guidelines.

We Recommend:

- Supplementary electrical protection with the use of a residual current device (RCD)
- Fixed wiring appliances incorporate a locally situated switch disconnecter to connect to, which is easily accessible for switching off and safe isolation purposes. The switch disconnecter must meet the specification requirements of IEC 60947.

Your attention is drawn to:

BS 7671:2018 – Guidance Note 8 – 8.13 : Other locations of increased risk

It is recognised that there may be locations of increased risk of electrical shock other than those specifically addressed in Part 7 of BS 7671. Examples of such locations could include laundries where there are washing and drying machines in close proximity, and water is present, and commercial kitchens with stainless steel units, where once again, water is present. Where, because of the perception of additional risks being likely, the installation designer decides that an installation or location warrants further protective measures, the options available includes:

- Automatic Disconnection of Supply (ADS) by means of a residual current device having a residual operating current not exceeding 30 mA;
- Supplementary protective equipotential bonding; and
- Reduction of maximum fault clearance time.

The provision of RCDs and supplementary bonding must be specified by the host organisation's appointed installation designer or electrical contractor and installed by a suitably qualified and competent electrician so as to comply with Regulations 419.2 and 544.2.



The supply to this machine must be protected by a **30mA RCD**

BX COLOUR WIRING DIAGRAMS

SECTION 1

FG149/150

10 TRAY COLOUR

PAGE 3

M150E25-51100	COMPONENTS
M150E25-03100	CONTROL PANEL LAYOUT
M150E25-51400	PCB CONNECTIONS
M150E25-51200	PCB OUTPUTS
M150E25-51300	LIGHT AND POWER CIRCUIT
M150E25-03200	MOTOR POWER CIRCUIT
M150E25-03300	HEATING POWER CIRCUIT
M150E25-03400	FAN AND ELEMENT WIRING

SECTION 2

FG156

2 TRAY COLOUR

PAGE 12

M156E25-13200	COMPONENTS
M156E25-13000	CONTROL AND POWER CIRCUIT
M156E25-13300	PCB CONNECTIONS
M156E25-13400	PCB OUTPUTS

SECTION 3

FG153/158/159

4 TRAY COLOUR

PAGE 17

M159E25-10900	COMPONENTS (159 ONLY)
M159E25-11100	CONTROL CIRCUIT (159 ONLY)
M158E25-20600	COMPONENTS (153/158 ONLY)
M158E25-20700	CONTROL CIRCUIT (153/158 ONLY)
M158E25-21000	PCB CONNECTIONS
M158E25-20800	PCB OUTPUTS
M158E25-01800	POWER CIRCUIT
M158E25-20900	FAN AND ELEMENT WIRING

SECTION 4

FG158 4 TRAY 1 PHASE

PAGE 26

M158E25-22500	COMPONENTS
M158E25-21000	PCB CONNECTIONS
M158E25-20700	CONTROL CIRCUIT
M158E25-22600	PCB OUTPUTS
M158E25-51300	POWER CIRCUIT
M158E25-52200	FAN AND ELEMENT WIRING

CONDENSER (IF FITTED)

PAGE 33

FG149/150 COLOUR 10 TRAY

M150E25-51100	COMPONENTS
M150E25-03100	CONTROL PANEL LAYOUT
M150E25-51400	PCB CONNECTIONS
M150E25-51200	PCB OUTPUTS
M150E25-51300	LIGHT AND POWER CIRCUIT
M150E25-03200	MOTOR POWER CIRCUIT
M150E25-03300	HEATING POWER CIRCUIT
M150E25-03400	FAN AND ELEMENT WIRING

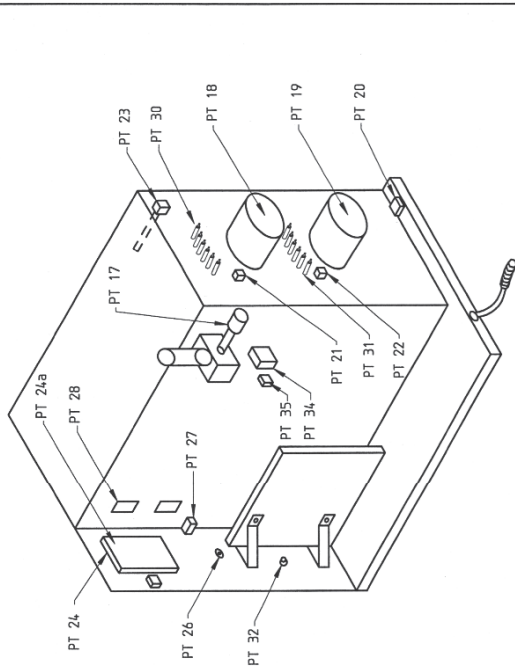
**FOR ENGINEERS USE ONLY.
DO NOT ATTEMPT ANY ALTERATIONS.
IF IN DOUBT, CONTACT MONO FOR ADVICE**

SECTION 1



IF IN ANY DOUBT - ASK

DRAWING		MONO	
PT-Ref	DESCRIPTION	PART NUMBER	
PT-1	INTERIOR LIGHT M.C.B.	B872-22-063	
PT-2	CONTROL CIRCUIT M.C.B.	B872-22-062	
PT-4a	FAN MOTOR OVERLOAD UNIT N'1 (TOP)	B801-03-020	
PT-4b	FAN MOTOR OVERLOAD N'1 AUXILIARY CONTACT	B801-14-012	
PT-5a	FAN MOTOR OVERLOAD UNIT N'2 (BOTTOM)	B801-03-020	
PT-5b	FAN MOTOR OVERLOAD N'2 AUXILIARY CONTACT	B801-14-012	
PT-8a	INTERIOR LIGHT RELAY	B723-37-004	
PT-8b	INTERIOR LIGHT RELAY BASE	B723-36-001	
PT-10a	FAN MOTOR CONTACTOR N'1-FORWARD (TOP MOTOR)	B801-08-031	
PT-10b	FAN MOTOR CONTACTOR N'1-REVERSE (TOP MOTOR)	B801-08-031	
PT-11a	FAN MOTOR CONTACTOR N'2-FORWARD (BTM MOTOR)	B801-18-031	
PT-11b	FAN MOTOR CONTACTOR N'2-REVERSE (BTM MOTOR)	B801-18-031	
PT-14	24V DC POWER SUPPLY UNIT	B801-93-005	
PT-15	HEATING ELEMENT CONTACTOR	B801-08-020	
PT-17	{ DAMPER SOLENOID (L/H) DAMPER SOLENOID (R/H)	{ B749-83-003 B749-83-004	
PT-18	FAN MOTOR UNIT N'1 (TOP MOTOR)	B720-74-001	
PT-19	FAN MOTOR UNIT N'1 (BOTTOM MOTOR)	B720-74-001	
PT-20	WATER SOLENOID	150-07-004.00	
PT-21	OVERHEAT THERMOSTAT N'1 (TOP)	B888-50-014	
PT-23	OVEN THERMOCOUPLE	B873-95-002	
PT-24	PCB ASSEMBLY	M158-25-14.000	
PT-26	PUSHBUTTON-GREEN-LATCHING	B836-07-004	
PT-27	DOOR SWITCH	B842-07-023	
PT-28A	INTERIOR LIGHT UNIT	B721-67-011	
PT-28B	INTERIOR LIGHT BULB	B857-94-007	
PT-29	BUZZER	B723-92-002	
8KW ELEMENT OVENS ONLY			
PT-30	HEATING ELEMENT UNIT N'1 (TOP)	240v	B847-04-068
PT-31	HEATING ELEMENT UNIT N'2 (BOTTOM)	240v	B847-04-068
PT-30	HEATING ELEMENT UNIT N'1 (TOP)	220v	B847-04-073
PT-31	HEATING ELEMENT UNIT N'2 (BOTTOM)	220v	B847-04-073
7KW ELEMENT OVENS ONLY			
PT-30	HEATING ELEMENT UNIT N'1 (TOP)	240v	B847-04-067
PT-31	HEATING ELEMENT UNIT N'2 (BOTTOM)	240v	B847-04-067
PT-30	HEATING ELEMENT UNIT N'1 (TOP)	220v	B847-04-074
PT-31	HEATING ELEMENT UNIT N'2 (BOTTOM)	220v	B847-04-074
PT-34	REAR FAN UNIT		B849-75-018
PT-35	REAR FAN UNIT FUSE		B842-85-025
PT-36	AUX POWER OUTLET		B970-06-001
PT-37	AUX POWER OUTLET FUSE		B842-85-039

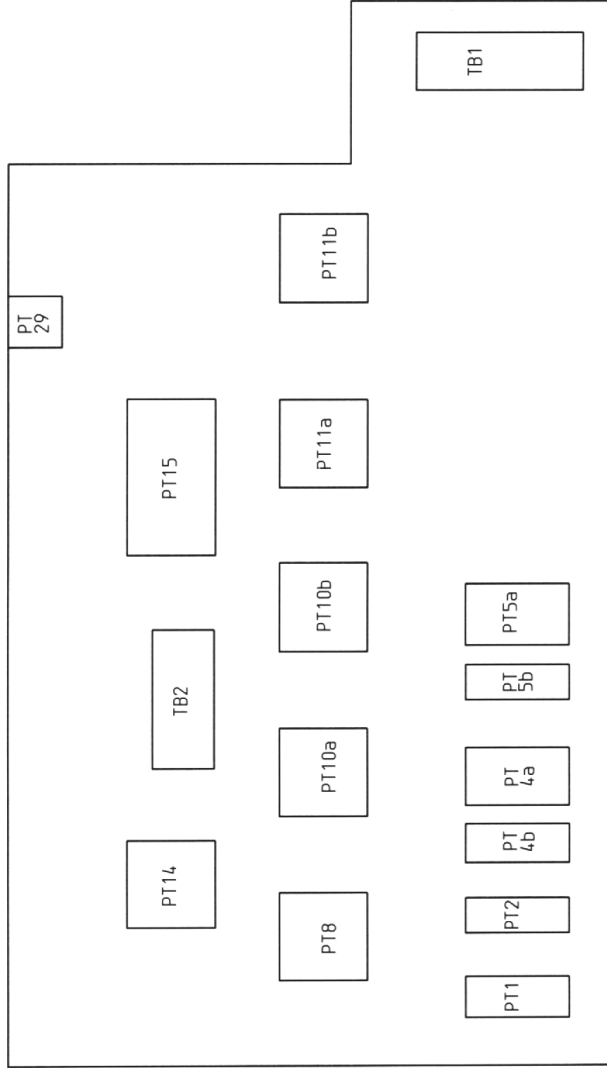



REV	SIG	DATE	REVISION	ECH NO.
M	RAC	31-3-10	PT28A WAS B721-67-006. PT28B WAS B857-94-004.	315/09
L	RAC	10-2-10	PT24a & b NOW PT.24 AND PT ND CHANGED	338/09
K	JC	29-01-09	PT27 WAS ASSY 154-25-01200 (B801-11-001)	195/08
J	RAC	29-03-07	PT22 O/HEAT THERMOSTAT DELETED;PT36/37 ADDED	2946
I	JC	30-10-06	PT-17 WAS B749-83-001 & B749-83-002	2868
H	RAC	31-10-05	B859- NOW B801-	2573
G	JC	27-7-05	PT-23 WAS B873-95-001	2525
F	JC	13-6-05	PT-14 WAS B705-93-006	2483
E	JC	7-4-05	PT-28A WAS B721-67-001	2435
D	JC	22-11-04	PT-26a-d WAS B801-x (SEE LIST)	2329
C	JC	22-11-04	PT-34 WAS B849-75-023	2318
B	JC	25-9-03	SWITCH (PT-26) CHANGED	2056
A	JC	14-2-03	EXISTING SMALL FAN DELETED (IN CONJUNCTION WITH ECH 1925)	1927

MONO EQUIPMENT		REVISION	
QUEENSWAY WEST IND PARK SWANSEA, SA8 4EB.		TITLE:	
TEL: (01782) 85 234 FAX: (01782) 85 016		ELECTRICAL COMPONENTS LAYOUT BXC 10 TRAY OVEN	
ELECTRICAL SPECIFICATIONS:- 4.15V 3PH 50HZ		DRAWN: ALW/JC	
		ELECTRICALLY APPROVED BY:- <i>[Signature]</i>	
		DATE: 8/11/01	
		DRAWING NO: M150E25-51100	
		REV: M	

COPYRIGHT © 1998 - THIS DESIGN/DRAWING IS THE PROPERTY OF MONO EQUIPMENT LTD. AND MUST NOT BE REPRODUCED, COPIED, NOR ITS CONTENTS DIVULGED WITHOUT PRIOR WRITTEN PERMISSION.

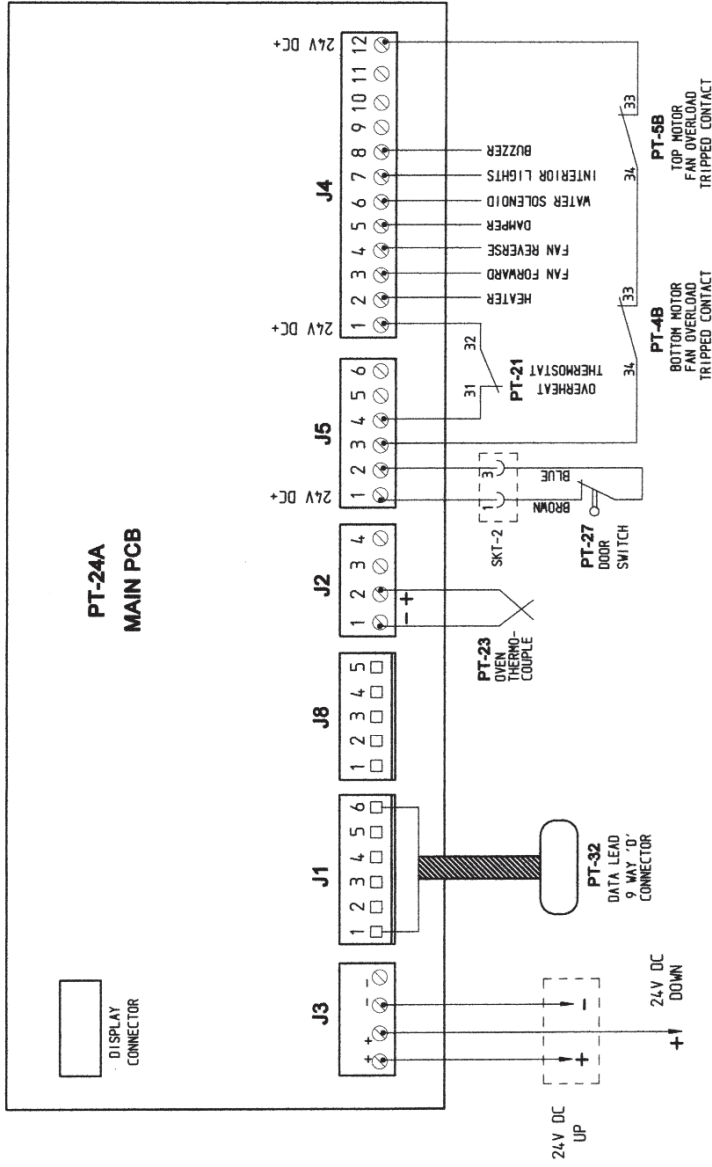
IF IN ANY DOUBT - ASK



REV	SIG	DATE	REVISION	ECN NO.
 MONO EQUIPMENT 10 TRAY OVEN MK II SWANSEA WEST IND PARK SWANSEA, SA5 4EB. TEL: (01792) 561234 FAX: (01792) 561018		TITLE: COLOURSMART MAIN CONTROL PANEL LAYOUT 10 TRAY OVEN MK II		
ELECTRICAL SPECIFICATIONS:-		DRAWN: A.L.W. ELECTRICALLY APPROVED BY:- P. BOYLES		
		DATE: 3/2/00	DRAWING NO: M150E25-03100	REV: 1

COPYRIGHT © 1998 - THIS DESIGN/DRAWING IS THE PROPERTY OF MONO EQUIPMENT LTD. AND MUST NOT BE REPRODUCED, COPIED, NOR ITS CONTENTS DIVULGED WITHOUT PRIOR WRITTEN PERMISSION.

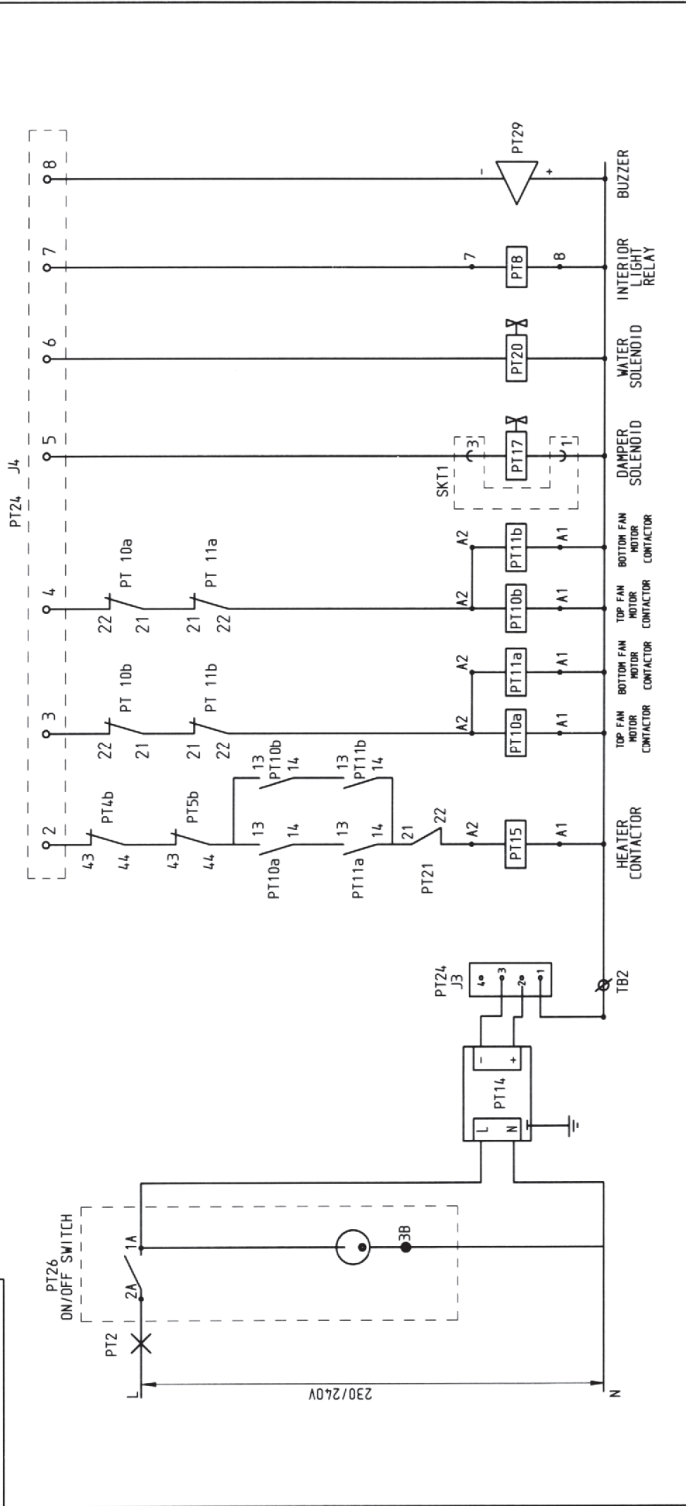
IF IN ANY DOUBT - ASK



REV	SIG	DATE	REVISION	ECN NO.
A	JC	14-2-03	EXISTING SMALL FAN DELETED (IN CONJUNCTION WITH ECN 1925)	1927
<p>MONO EQUIPMENT QUEENSWAY SWANSEA WEST IND PARK SWANSEA, G4S 4EB. TEL: (01782) 561244 FAX: (01782) 561616</p>				
<p>TITLE: BXC 10 TRAY OVEN PCB CONNECTIONS (COLOURSMART)</p>			<p>ELECTRICALLY APPROVED BY:- P. BOYLES</p>	
<p>ELECTRICAL SPECIFICATIONS:-</p>			<p>DRAWN: JC DATE: 9-11-01 DRAWING NO. M150E25-51400</p>	
<p>COPYRIGHT © 1998 - THIS DESIGN/DRAWING IS THE PROPERTY OF MONO EQUIPMENT LTD. AND MUST NOT BE REPRODUCED, COPIED, NOR ITS CONTENTS DIVULGED WITHOUT PRIOR WRITTEN PERMISSION.</p>				



IF IN ANY DOUBT - ASK



REV	SIG	DATE	REVISION	ECN NO.
E	RAC	30-3-07	PT21 WIRING CHANGE	2946
D	RAC	31-10-05	A1 and A2 changed round	2573
C	JC	22-11-04	PT-26B-d WAS BB01-xxx (SEE LIST)	2329
B	JC	25-9-03	SWITCH (PT-26) CHANGED	2057
A	JC	14-2-03	EXISTING SMALL FAN DELETED (IN CONJUNCTION WITH ECN 1925)	1927

MONO INDUSTRIES
 1000 WINDYBUSH
 SWANSEA WEST IND PARK
 SWANSEA, SA5 4EB.
 TEL: (01792) 561234
 FAX: (01792) 561018

MONO

TITLE: BXC 10 TRAY mk3 OVEN
 P.C.B. OUTPUTS

DRAWN: ALW/JC
 ELECTRICALLY APPROVED BY:-
 P. BOYLES

ELECTRICAL SPECIFICATIONS:-
 4.15V 3 PHASE 50Hz

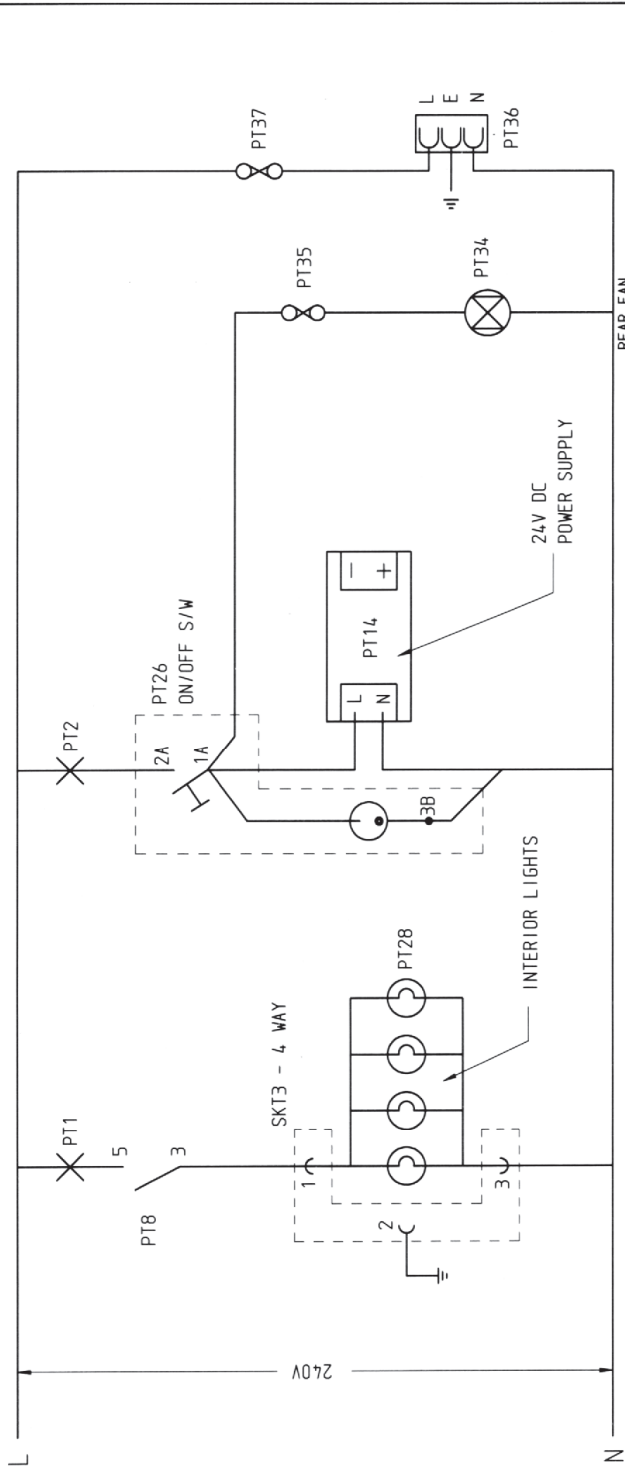
DATE: 9-11-01
 DRAWING NO: M150E25-51200
 REV: E

Copyright © 1998 - This Design/Drawing is the property of Mono Equipment Ltd. and must not be reproduced, copied, nor its contents divulged without prior written permission.





IF IN ANY DOUBT - ASK

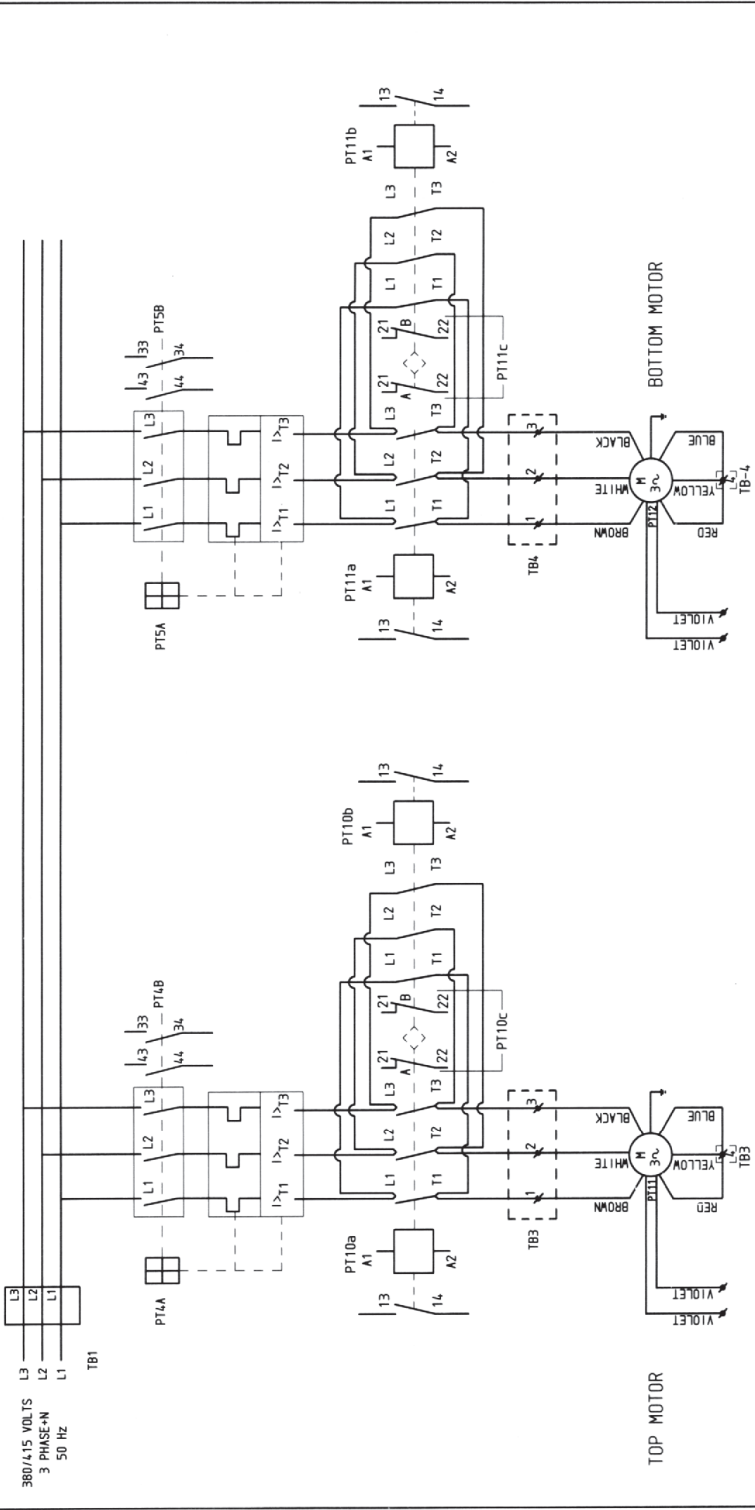


REV	SIG	DATE	REVISION	ECN NO.
D	RAC	22-2-07	PT36 & PT37 ADDED	2946
C	JC	22-11-04	PT-26a-d WAS B801-*** (SEE LIST)	2329
B	JC	25-9-03	SWITCH (PT-26) CHANGED	2057
A	JC	14-2-03	EXISTING SMALL FAN DELETED (IN CONJUNCTION WITH ECN 1925)	1927

<p>MONO EQUIPMENT SWANSEA WEST IND PARK SWANSEA, SA5 4EB. TEL: (01782) 561234 FAX: (01782) 561016</p>	<p>TITLE: BXC 10 TRAY OVEN INTERIOR LIGHT & POWER SUPPLY CIRCUIT</p>
<p>ELECTRICAL SPECIFICATIONS:- DRAWN: JG/JC ELECTRICALLY APPROVED BY:- P. BOYLES</p>	<p>DATE: 9-11-01 DRAWING NO: HT50E25-51300 REV: D</p>

COPYRIGHT © 1998 - THIS DESIGN/DRAWING IS THE PROPERTY OF MONO EQUIPMENT LTD., AND MUST NOT BE REPRODUCED, COPIED, NOR ITS CONTENTS DIVULGED WITHOUT PRIOR WRITTEN PERMISSION.

IF IN ANY DOUBT - ASK

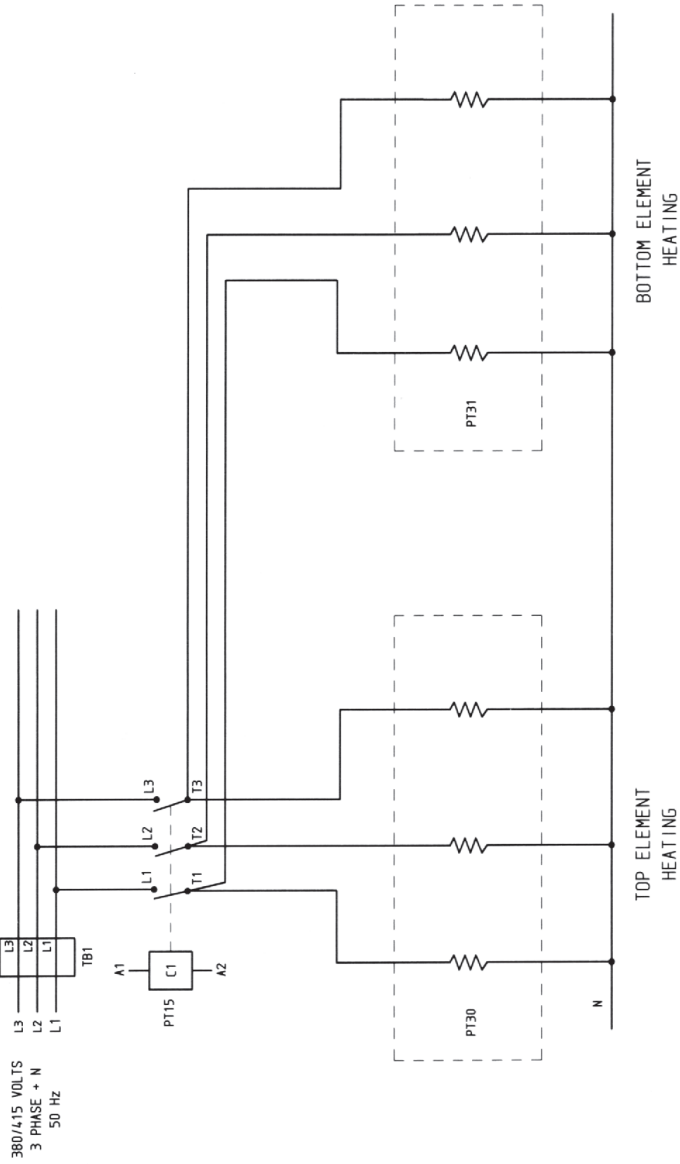



REV	SIG	DATE	REVISION	ECN NO.
<p>MONO EQUIPMENT MONO EQUIPMENT SWANSEA WEST IND PARK SWANSEA SA5 4EB. TEL: (01792) 561234 FAX: (01792) 561016</p>				
<p>ELECTRICAL SPECIFICATIONS:- 380/415V 3 PH & N 50Hz</p>			<p>DRAWN: A.L.W. ELECTRICALLY APPROVED BY:- P. BOYLES</p>	
<p>TITLE: MOTOR POWER CIRCUIT DIAGRAM 10 TRAY OVEN MK11</p>			<p>DRAWING NO.: M150E25-03200</p>	
<p>DATE: 3/2/00</p>			<p>REV: -</p>	

COPYRIGHT © 1998 - THIS DESIGN/DRAWING IS THE PROPERTY OF MONO EQUIPMENT LTD. AND MUST NOT BE REPRODUCED, COPIED, NOR ITS CONTENTS DIVULGED WITHOUT PRIOR WRITTEN PERMISSION.



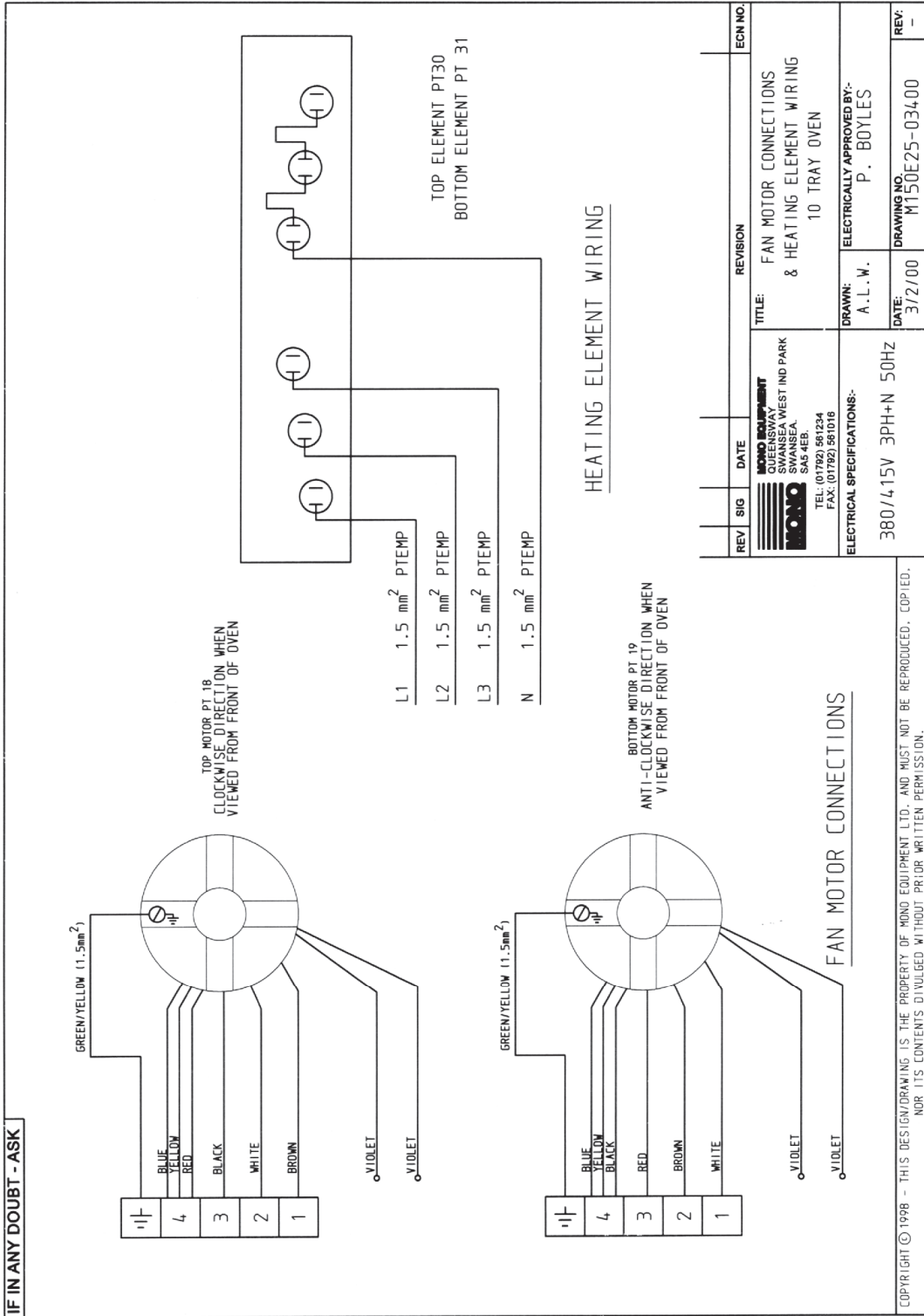
IF IN ANY DOUBT - ASK



REV	SIG	DATE	REVISION	ECN NO.
A		RAC 22-2-07	PT21 & PT22 0/HEAT THERMOSTATS REMOVED	2946
 MONO EQUIPMENT SWANSEA WEST IND PARK SWANSEA, SA5 4EB. TEL: (01792) 561234 FAX: (01792) 561018				
ELECTRICAL SPECIFICATIONS:-			TITLE:	
380/415V 3 PHASE+N 50Hz			HEATING POWER CIRCUIT DIAGRAM 10 TRAY OVEN MK11	
DRAWN: A.L.W.			ELECTRICALLY APPROVED BY:- P. BOYLES	
DATE: 3/2/00			DRAWING NO: M150E25-03300	
			REV: A	

COPYRIGHT © 1998 - THIS DESIGN/DRAWING IS THE PROPERTY OF MONO EQUIPMENT LTD. AND MUST NOT BE REPRODUCED, COPIED, NOR ITS CONTENTS DIVULGED WITHOUT PRIOR WRITTEN PERMISSION.





FG156

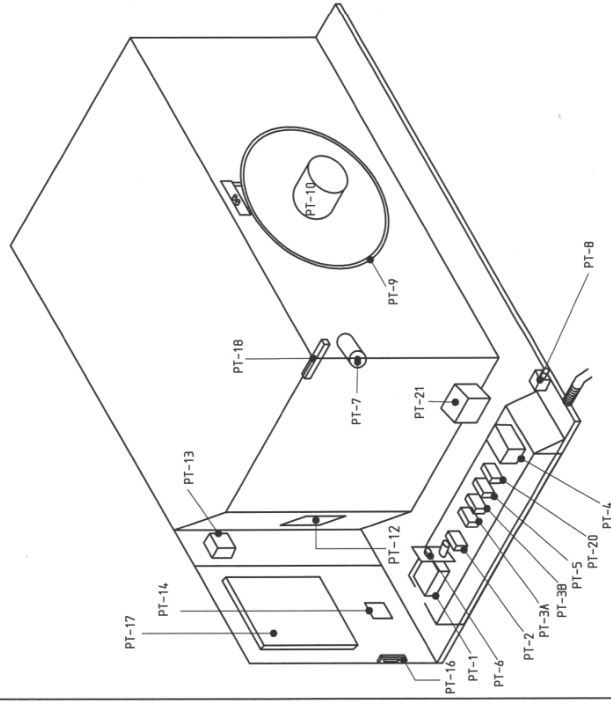
2 TRAY

M156E25-13200	COMPONENTS
M156E25-13000	CONTROL AND POWER CIRCUIT
M156E25-13300	PCB CONNECTIONS
M156E25-13400	PCB OUTPUTS

**FOR ENGINEERS USE ONLY.
DO NOT ATTEMPT ANY ALTERATIONS.
IF IN DOUBT, CONTACT MONO FOR ADVICE**

SECTION 2

IF IN ANY DOUBT - ASK



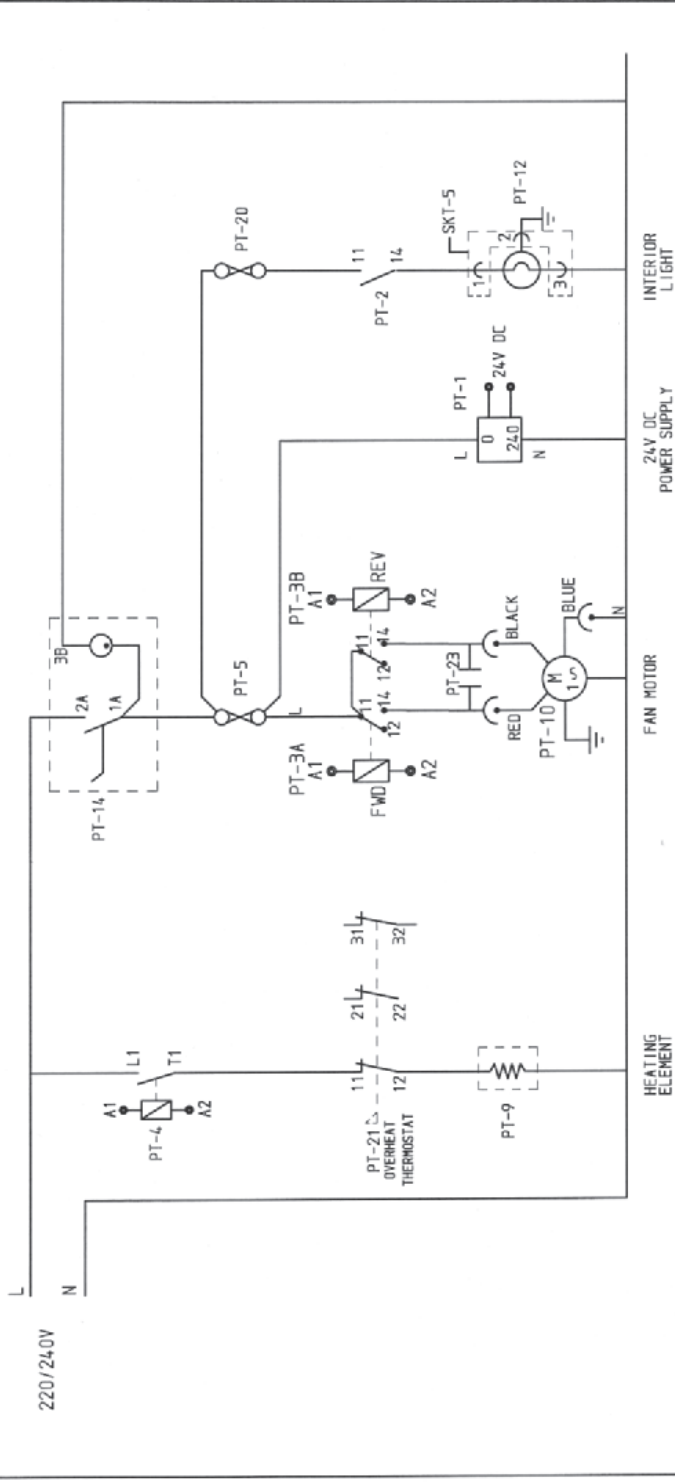
DRAWING PT-Ref	DESCRIPTION	MONO PART NUMBER
PT-1	24V DC POWER SUPPLY	B801-93-005
PT-2	INTERNAL LIGHT RELAY	B723-37-021
PT-3A	FAN MOTOR RELAY	B723-37-021
PT-3B	FAN MOTOR RELAY	B723-37-021
PT-4	HEATING ELEMENT CONTACTOR	B801-08-021
PT-5	CONTROL FUSE	B842-85-039
PT-6	Buzzer	B982-97-001
PT-7	DAMPER SOLENOID	B749-83-003
PT-8	2T WATER INLET ASSY	156-37-00400
* PT-9	(240V) HEATING ELEMENT	B854-04-117
PT-10	FAN MOTOR	B720-74-004
PT-10a	INTERIOR LIGHT UNIT	B721-67-011
PT-10b	INTERIOR LIGHT BULB (HAL)	B857-94-007
PT-11	DOOR SWITCH	B842-07-023
PT-12	ON/OFF SWITCH	B836-07-004
PT-13	DATA LINK SOCKET LEAD	B705-25-005
PT-14	PCB ASSEMBLY	M158-25-14000
PT-15	OVEN THERMOCOUPLE	B673-95-002
PT-16	INTERIOR LIGHT FUSE	B842-85-042
PT-17	OVERHEAT THERMOSTAT	B888-30-014
PT-18	CAPACITOR	B720-23-003

REV	SIG	DATE	REVISION	ECH NO.
		MONO EQUIPMENT SUDBURY WEST IND PARK SWANSEA SA5 4EB. TEL: (01792) 591234 FAX: (01792) 591016		
ELECTRICAL SPECIFICATIONS:- 220/240V 1 PHASE		TITLE: ELECTRICAL COMPONENTS LAYOUT 2 TRAY 1 PHASE COLOUR TWO-WT FAN		
DRAWN: JC/RAC		ELECTRICALLY APPROVED BY:-		
DATE: 7/09/99		DRAWING NO. M156E25-13200		
REV: ---		REV: ---		

COPYRIGHT © 1998 - THIS DESIGN/DRAWING IS THE PROPERTY OF MONO EQUIPMENT LTD. AND MUST NOT BE REPRODUCED, COPIED, NOR ITS CONTENTS DIVULGED WITHOUT PRIOR WRITTEN PERMISSION.



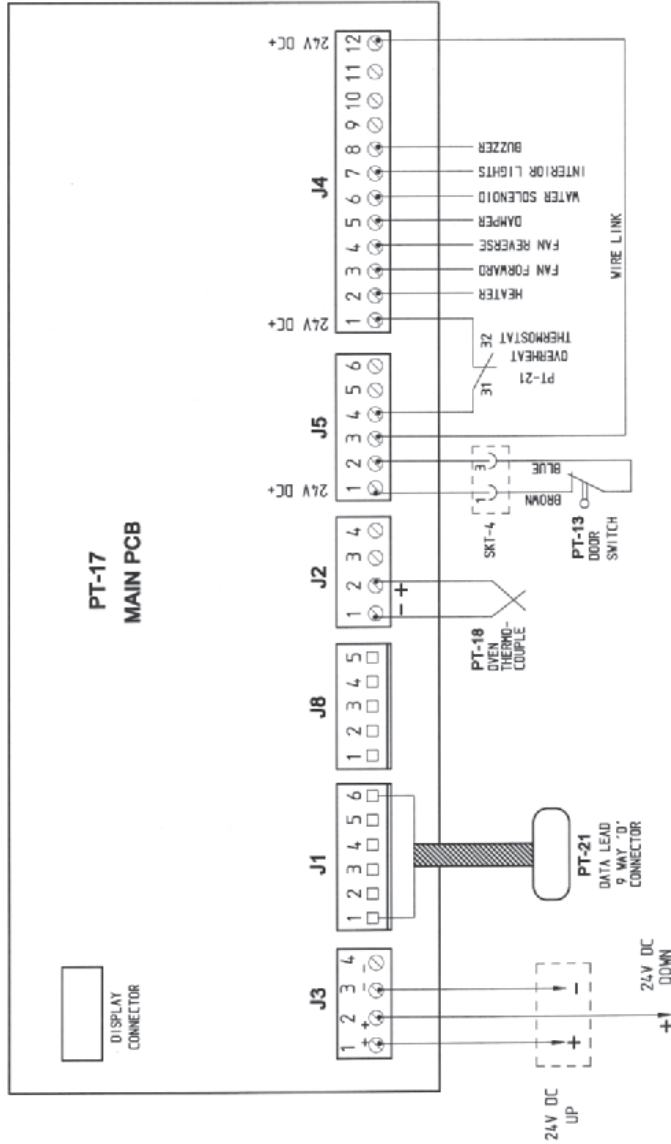
IF IN ANY DOUBT - ASK



REV	SIG	DATE	REVISION	ECN NO.
<p>MONO EQUIPMENT QUEENSWAY SWANSEA WEST IND PARK SWANSEA SAS AREA TEL: (01792) 861234 FAX: (01792) 301016</p>			<p>TITLE: CONTROL & POWER CIRCUIT DIAGRAM FOR 220/240V 1 PHASE 2 TRAY 2 WAY FAN</p>	
<p>ELECTRICAL SPECIFICATIONS:- 220/240V 1 PHASE</p>			<p>DRAWN: A. THOMAS RAC DATE: 28-7-09 DRAWING NO. MT156E25-13000</p>	
<p>COPYRIGHT © 1998 - THIS DESIGN/DRAWING IS THE PROPERTY OF MONO EQUIPMENT LTD. AND MUST NOT BE REPRODUCED, COPIED, NOR ITS CONTENTS DIVULGED WITHOUT PRIOR WRITTEN PERMISSION.</p>				



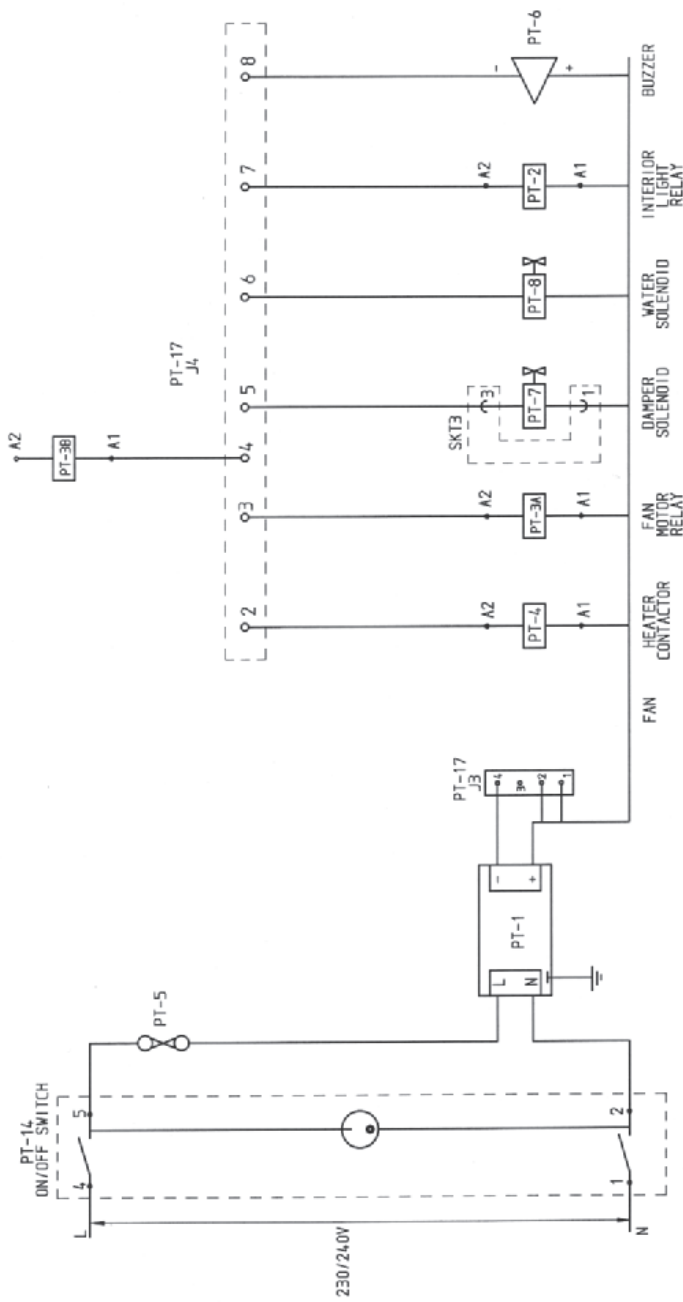
IF IN ANY DOUBT - ASK




REV	SIG	DATE	REVISION	ECH NO.
			BXC 2 COLOUR PCB CONNECTIONS TWO-WAY FAN	
<p>MONO EQUIPMENT QUEENSWAY SWANSEA WEST IND PARK SWANSEA SAS 4EB. TEL: (01792) 561254 FAX: (01792) 561018</p>			<p>TITLE: BXC 2 COLOUR PCB CONNECTIONS TWO-WAY FAN</p>	
ELECTRICAL SPECIFICATIONS:-			DRAWN: JC/RAC	
PT-17 MAIN PCB			ELECTRICALLY APPROVED BY:- AT	
COPYRIGHT © 1998 - THIS DESIGN/DRAWING IS THE PROPERTY OF MONO EQUIPMENT LTD. AND MUST NOT BE REPRODUCED. COPIED. NOR ITS CONTENTS DIVULGED WITHOUT PRIOR WRITTEN PERMISSION.			DATE: 7-08-09	
			DRAWING NO. M156E25-13300	
			REV:- —	



IF IN ANY DOUBT - ASK



REV	SIG	DATE	REVISION	ECH NO.
 MONO EQUIPMENT 10 WILSON STREET IND PARK SWANSEA SA5 4EE. TEL: (01792) 861234 FAX: (01792) 691018				
TITLE: P.C.B. OUTPUTS 2 TRAY COLOUR TWO-WAY FAN			DRAWN: RAC	
ELECTRICAL SPECIFICATIONS:-			ELECTRICALLY APPROVED BY:- AT	
COPYRIGHT © 1998 - THIS DESIGN/DRAWING IS THE PROPERTY OF MONO EQUIPMENT LTD. AND MUST NOT BE REPRODUCED, COPIED, NOR ITS CONTENTS DIVULGED WITHOUT PRIOR WRITTEN PERMISSION.			DATE: 7-08-09	
			DRAWING NO. M156E25-134.00	
			REV:	

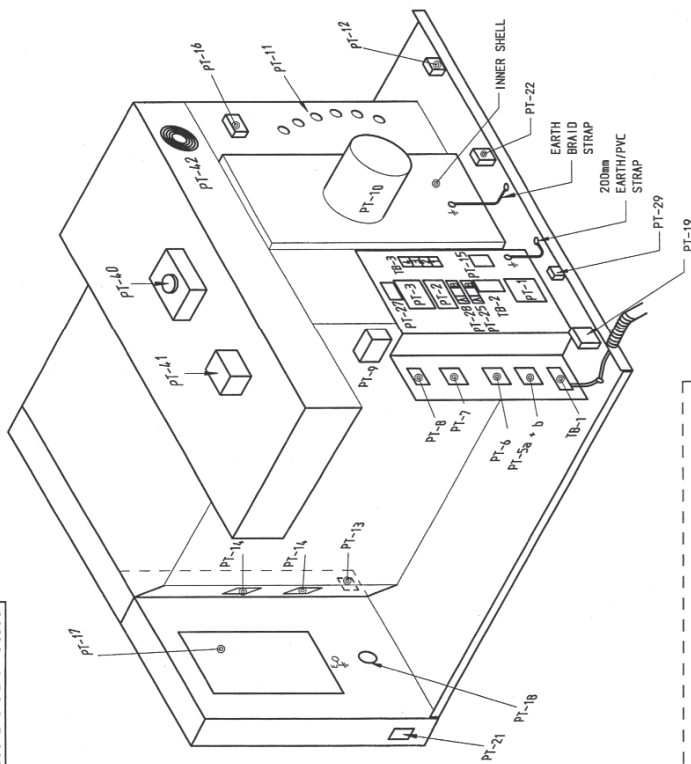
FG153/158/159 4 TRAY

M159E25-10900	COMPONENTS (159 ONLY)
M159E25-11100	CONTROL CIRCUIT (159 ONLY)
M158E25-20600	COMPONENTS (153/158 ONLY)
M158E25-20700	CONTROL CIRCUIT (153/158 ONLY)
M158E25-21000	PCB CONNECTIONS
M158E25-20800	PCB OUTPUTS
M158E25-01800	POWER CIRCUIT
M158E25-20900	FAN AND ELEMENT WIRING

**FOR ENGINEERS USE ONLY.
DO NOT ATTEMPT ANY ALTERATIONS.
IF IN DOUBT, CONTACT MONO FOR ADVICE**

SECTION 3

IF IN ANY DOUBT - ASK



CONDENSER UNIT IF FITTED
 PT-40 THERMOSTAT
 PT-41 WATER SOLENOID
 PT-42 FAN

MONO PART NUMBER	DESCRIPTION	MONO PART NUMBER
PT-1	24V DC POWER SUPPLY UNIT	B801-93-005
PT-2a	INTERIOR LIGHT RELAY	B723-37-004
PT-2b	INTERIOR LIGHT RELAY BASE	B723-36-001
PT-3	CONTROL CIRCUIT M.C.B.	B872-22-562
PT-5a	FAN MOTOR OVERLOAD UNIT	B801-03-020
PT-5b	FAN MOTOR OVERLOAD AUXILIARY CONTACT	B801-14-012
PT-6	FAN MOTOR FORWARD CONTACTOR	B801-08-031
PT-7	FAN MOTOR REVERSE CONTACTOR	B801-08-021
PT-8	HEATING ELEMENT CONTACTOR	B801-08-021
PT-9	DAMPER SOLENOID (L/H)	B749-83-003
PT-9	DAMPER SOLENOID (R/H)	B749-83-004
PT-10	FAN MOTOR UNIT	B720-74-001
PT-11	HEATING ELEMENT (240v)	B842-04-048
PT-11	HEATING ELEMENT (220v)	B842-04-048
PT-12	4T WATER INLET ASSY	B842-04-073
PT-13	DOOR SWITCH	158-17-00400
PT-14	INTERIOR LIGHT UNIT	B842-07-023
PT-14a	INTERIOR LIGHT BULB	B721-67-011
PT-15	BUZZER	B857-94-007
PT-16	THERMOCOUPLE	B723-92-002
PT-16	THERMOCOUPLE	B873-95-002
PT-17	PCB ASSEMBLY	M158-25-14000
PT-18	PUSHBUTTON - GREEN	B836-07-004
PT-19	REAR COOLING FAN	B869-75-018
PT-21	DATA LINK SOCKET-CABLE	B705-25-005
PT-22	OVERHEAT THERMOSTAT	B888-30-014
PT-25	INTERNAL LIGHT FUSE	B842-85-042
PT-27	FAN FUSE	B842-85-025
PT-28	AUX FUSE	B842-85-039
PT-29	AUX SUPPLY SOCKET	B970-06-001

REV	SIG	DATE	REVISION	ECN NO.
F	JC	13-6-05	PT-1 WAS B705-93-006	2493
E	JC	7-4-05	PT-14A WAS B721-67-001	2435
D	JC	22-11-04	PT-18 CHANGED	2329
C	JC	22-11-04	PT-19 WAS B869-75-023	2318
B	JC	29-9-03	SWITCH (PT18) CHANGED	2057
A	JC	22-1-03	PT-27 AND WIRING FOR REAR FAN UNIT ADDED	1927

MONO EQUIPMENT
 QUEENSWAY WEST IND PARK
 SWANSEA SA5 4EB.
 TEL: (01792) 561234
 FAX: (01792) 561016

MONO

TITLE: ELECTRICAL COMPONENTS LAYOUT
 BXC 4-318 OVEN

ELECTRICAL SPECIFICATIONS:-
 380/415V 3PH 50HZ

DRAWN: JC
 ELECTRICALLY APPROVED BY: [Signature]

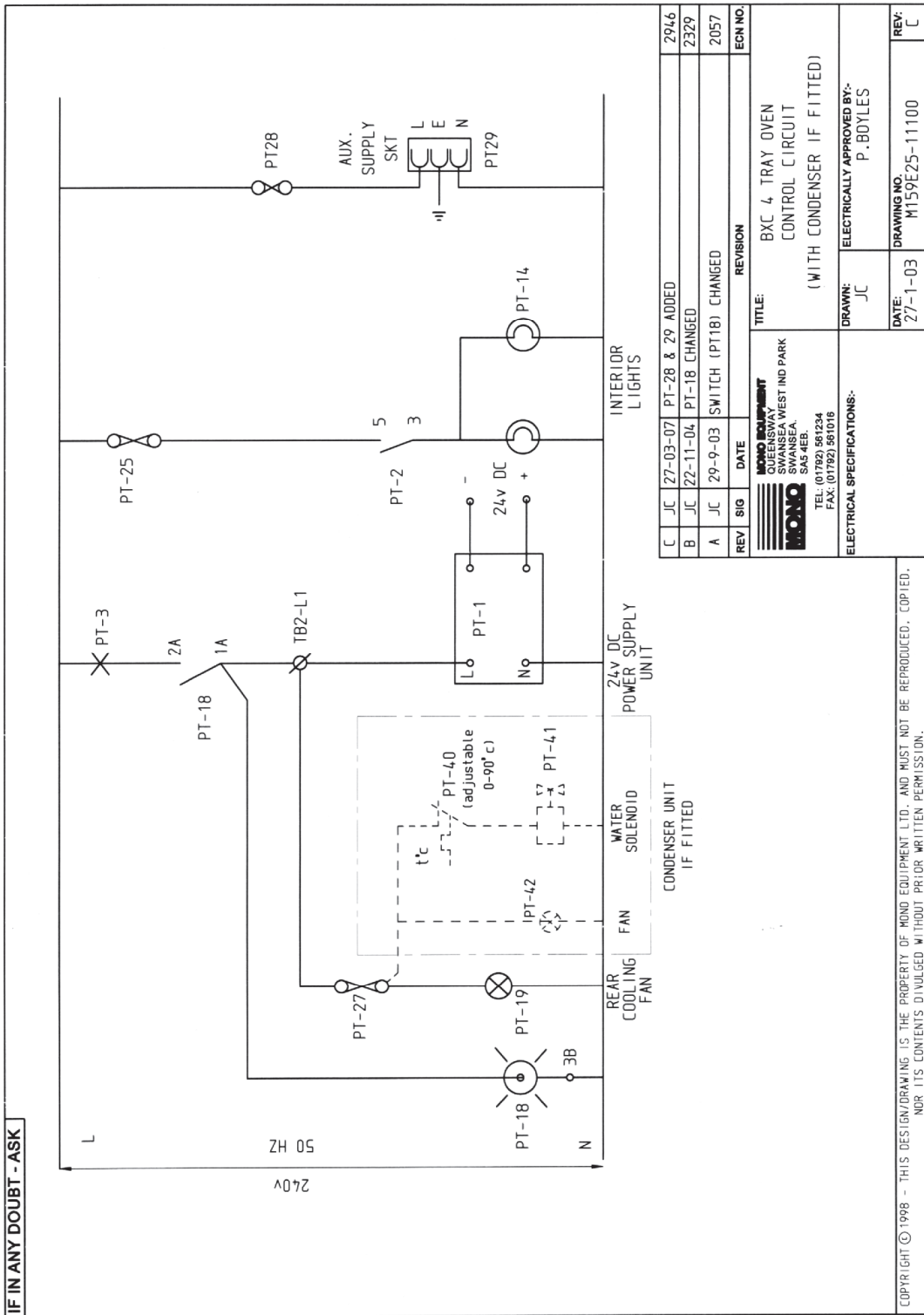
DATE: 21-03-02
 DRAWING NO: M159E25-10900

REV: 0

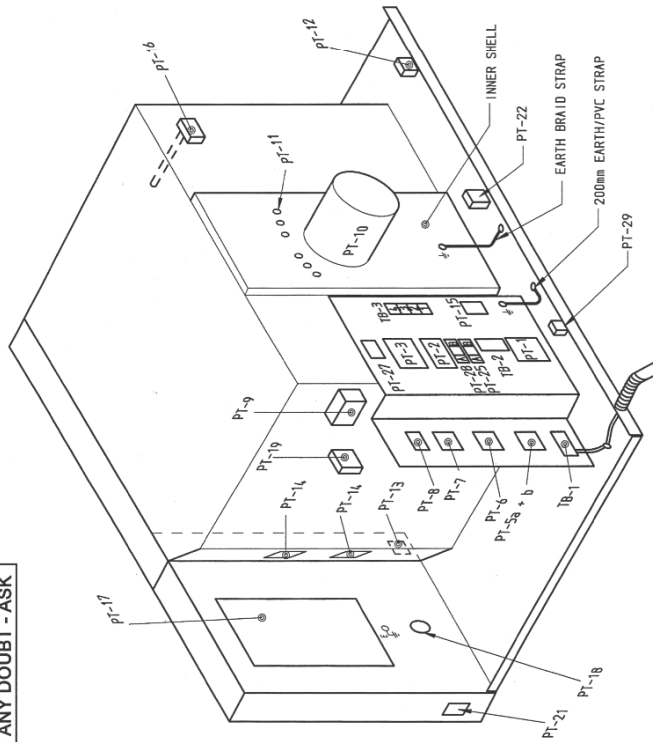
O	RAC	01-04-10	PT14A WAS B721-67-006; PT14B WAS B857-94-004	B15/09
N	RAC	10-2-10	PT17A & B NOW PT17; PT-NO CHANGED	B38/09
M	JC	29-01-09	PT13 WAS ASSY 154-25-01200 (B801-11-001)	195/08
L	JC	27-03-07	PT-26 & 29 ADDED	2946
K	JC	30-10-06	PT-9 WAS B749-83-001 & B749-83-002	2868
J	RAC	1-11-05	B801- WAS B859-	2573
I	JC	3-8-05	PT-41 WAS B867-83-002	2530
H	JC	3-8-05	PT-12 WAS B894-83-003	2528
G	JC	27-7-05	PT-16 WAS B873-95-001	2325

COPYRIGHT © 1998 - THIS DESIGN/DRAWING IS THE PROPERTY OF MONO EQUIPMENT LTD. AND MUST NOT BE REPRODUCED, COPIED, NOR ITS CONTENTS DIVULGED WITHOUT PRIOR WRITTEN PERMISSION.





IF IN ANY DOUBT - ASK



DRAWING PT-Ref	DESCRIPTION	MOND PART NUMBER
PT-1	24V DC POWER SUPPLY UNIT	B601-93-005
PT-2a	INTERIOR LIGHT RELAY	B723-37-004
PT-2b	INTERIOR LIGHT RELAY BASE	B723-36-001
PT-3	CONTROL CIRCUIT M.C.B.	B672-22-062
PT-5a	FAN MOTOR OVERLOAD UNIT	B601-03-020
PT-5b	FAN MOTOR OVERLOAD AUXILIARY CONTACT	B601-14-012
PT-6	FAN MOTOR FORWARD CONTACTOR	B601-08-031
PT-7	FAN MOTOR REVERSE CONTACTOR	B601-08-031
PT-8	HEATING ELEMENT CONTACTOR	B601-08-021
PT-9	DAMPER SOLENOID (L/H)	B749-83-003
PT-10	FAN MOTOR UNIT	B720-74-001
PT-11	HEATING ELEMENT (240v)	B647-04-067
PT-11	HEATING ELEMENT (220v)	B647-04-074
PT-12	4T WATER INLET ASSY	158-17-00400
PT-13	DOOR SWITCH	B642-07-023
PT-14a	INTERIOR LIGHT UNIT	B721-67-011
PT-14b	INTERIOR LIGHT BULB	B657-94-007
PT-15	BUZZER	B723-92-002
PT-16	THERMOCOUPLE	B673-95-002
PT-17	PCB ASSEMBLY	M158-25-14.000
PT-18	PUSHBUTTON-GREEN-LATCHING	B636-07-004
PT-19	REAR COOLING FAN	B669-75-018
PT-21	DATA LINK SOCKET-CABLE	B705-25-005
PT-22	OVERHEAT THERMOSTAT	B688-30-014
PT-25	INTERNAL LIGHT FUSE	B642-85-042
PT-27	FAN FUSE	B642-85-025
PT-28	AUX FUSE	B642-85-039
PT-29	AUX SUPPLY SOCKET	B970-06-001

REV	SIG	DATE	REVISION	ECN NO.
N		31/5/09		
M		3/8/09		
L	JC	29-01-09	PT17A & B NOW PT17 & PT NO CHANGE	195708
K	JC	27-03-07	PT13 WAS ASSY 154-25-01200 (B601-11-001)	2946
J	JC	30-10-06	PT-9 WAS B749-83-001 & B749-83-002	2668
I	JC	1-11-05	B801- WAS B859-	2573
H	JC	3-8-05	PT-12 WAS B994-83-003	2528
G	JC	27-7-05	PT-16 WAS B873-95-001	2525
F	JC	13-6-05	PT-1 WAS B705-93-006	2483
E	JC	7-4-05	PT-14A WAS B721-67-001	2435
D	JC	22-11-04	PT-18 CHANGED	2329
C	JC	22-11-04	PT-19 WAS B669-75-023	2318
B	JC	25-9-03	SWITCH (PT-18) CHANGED	2057
A	JC	22-1-03	PT-27 AND WIRING FOR REAR FAN UNIT ADDED	1927
REV	SIG	DATE	REVISION	ECN NO.

MONO EQUIPMENT
 SWANSEA WEST IND PARK
 SWANSEA,
 SA5 4EB.
 TEL: (01792) 561234
 FAX: (01792) 561016

MONO

REV: 3-1-02
 DATE: 3-1-02
 DRAWING NO. M158E25-20600
 REV: N

TITLE: ELECTRICAL COMPONENTS LAYOUT
 BXC 4 TRAY OVEN

ELECTRICALLY APPROVED BY: *[Signature]*

DRAWN: JC

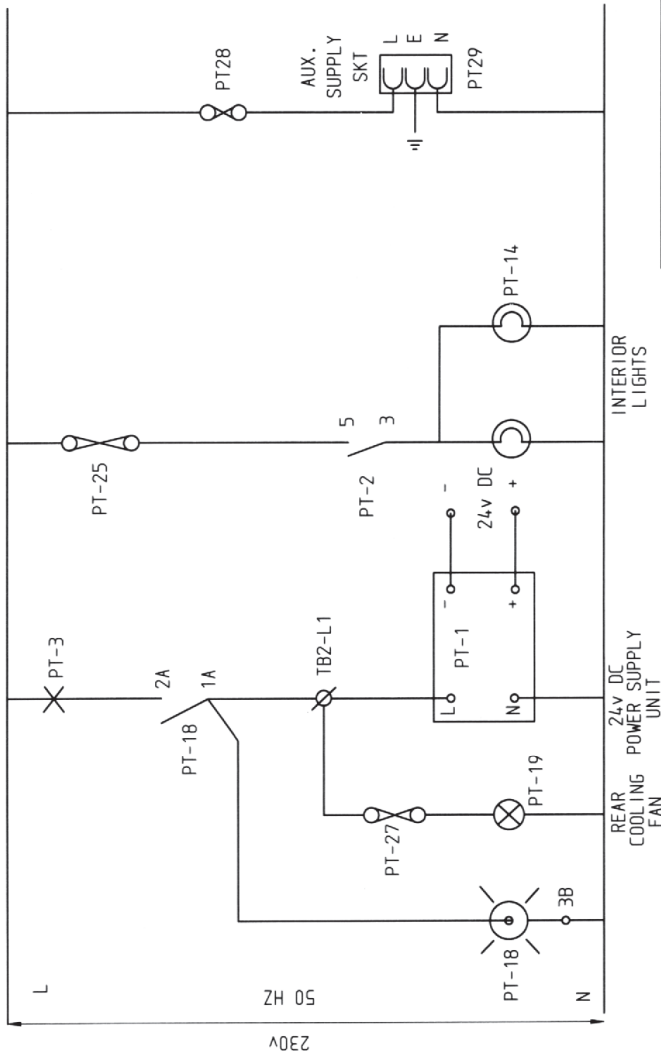
ELECTRICAL SPECIFICATIONS:-
 380/415V 3PH 50HZ

MONO EQUIPMENT IS THE PROPERTY OF MONO EQUIPMENT LTD. AND MUST NOT BE REPRODUCED, COPIED, OR ITS CONTENTS DIVULGED WITHOUT PRIOR WRITTEN PERMISSION.





IF IN ANY DOUBT - ASK

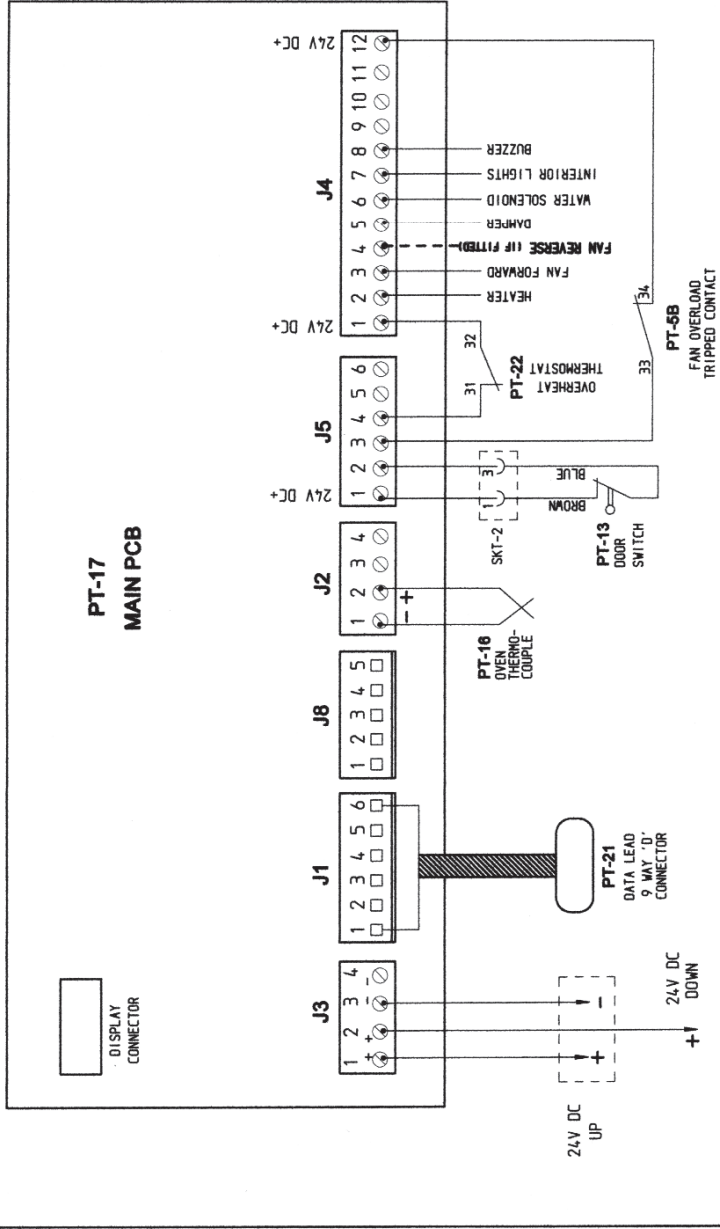


REV	SIG	DATE	REVISION	ECN NO.
D	JC	27-03-07	PT-28 & 29 ADDED	2946
C	JC	22-11-04	PT-18 CHANGED	2329
B	JC	25-9-03	SWITCH (PT-18) CHANGED	2057
A	JC	22-1-03	ADD WIRING FOR REAR FAN UNIT	1927

 MONO EQUIPMENT SWANSEA WEST IND PARK SWANSEA, SA5 4EB. TEL: (01782) 561234 FAX: (01782) 561016	TITLE: BX 4 TRAY OVEN CONTROL CIRCUIT
ELECTRICAL SPECIFICATIONS:-	DRAWN: JC
	ELECTRICALLY APPROVED BY:- P. BOYLES
	DATE: 14/12/01
	DRAWING NO. M158E25-20700
	REV: D

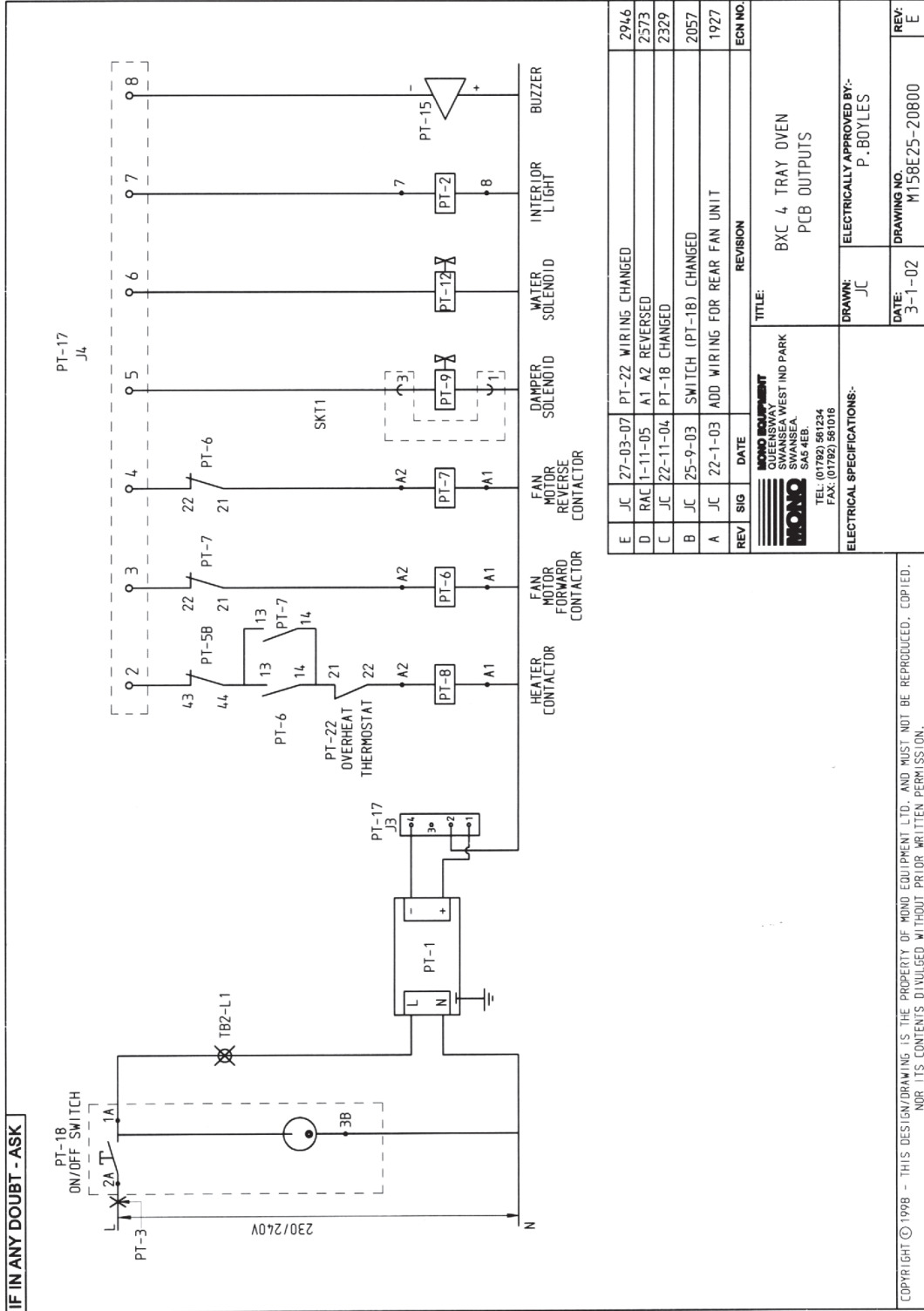
COPYRIGHT © 1998 - THIS DESIGN/DRAWING IS THE PROPERTY OF MONO EQUIPMENT LTD. AND MUST NOT BE REPRODUCED, COPIED, NOR ITS CONTENTS DIVULGED WITHOUT PRIOR WRITTEN PERMISSION.

IF IN ANY DOUBT - ASK



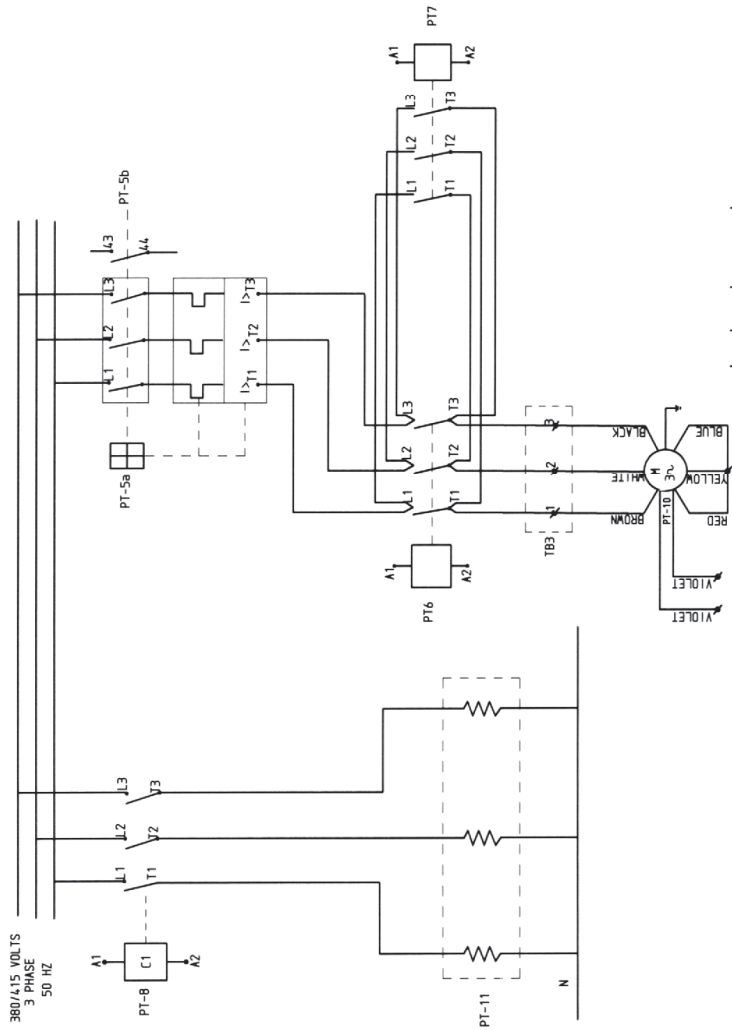
REV	SIG	DATE	REVISION	ECH NO.
<p>MONO EQUIPMENT QUEENSWAY SWANSEA WEST IND PARK SWANSEA, SA3 4EB. TEL: (01792) 587264 FAC: (01792) 581018</p>				
<p>PT-17 MAIN PCB</p>			<p>TITLE: BXC 4 TRAY OVEN PCB CONNECTIONS</p>	
<p>ELECTRICAL SPECIFICATIONS:- 3PH & 1PH</p>			<p>DRAWN: JC DATE: 6-6-06 DRAWING NO. M158E25-21000</p>	
<p>ELECTRICALLY APPROVED BY:- A. THOMAS</p>				
<p>COPYRIGHT © 1998 - THIS DESIGN/DRAWING IS THE PROPERTY OF MONO EQUIPMENT LTD. AND MUST NOT BE REPRODUCED, COPIED, NOR ITS CONTENTS DIVULGED WITHOUT PRIOR WRITTEN PERMISSION.</p>				







IF IN ANY DOUBT - ASK



REV	SIG	DATE	REVISION	ECN NO.
A	JC	27-03-07	PT-22 REMOVED	2946

MONO EQUIPMENT
 QUEENSWAY
 SWANSEA WEST IND PARK
 SWANSEA,
 SA5 4EB.
 TEL: (01792) 561234
 FAX: (01792) 561016

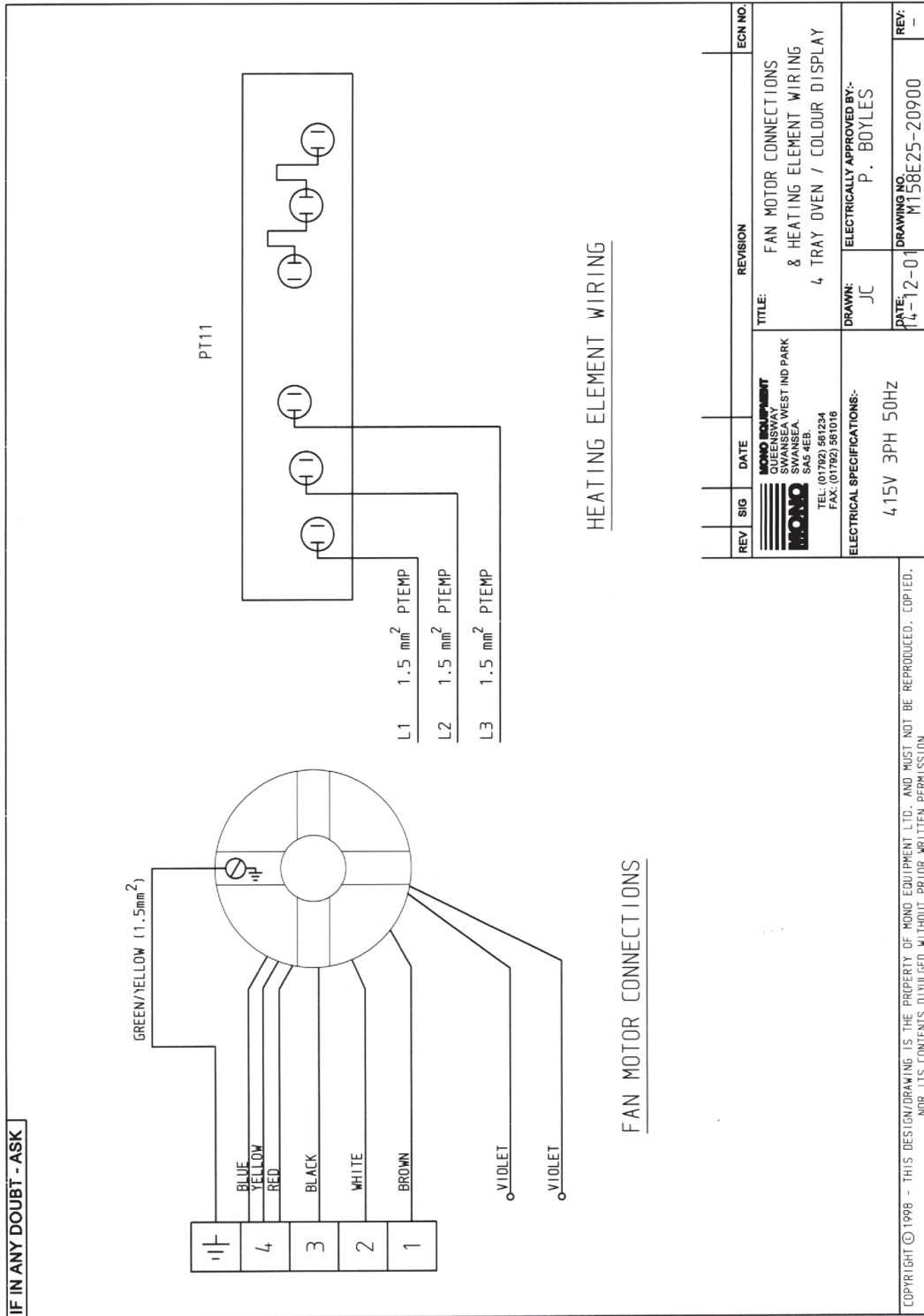
ELECTRICAL SPECIFICATIONS:-

TITLE: POWER CIRCUIT DIAGRAM
 4 TRAY OVEN

DRAWN: MT
 DATE: 29-6-99
 ELECTRICALLY APPROVED BY:-
 P. BOYLES

DRAWING NO. M158E25-01800
 REV: A

COPYRIGHT © 1998 - THIS DESIGN/DRAWING IS THE PROPERTY OF MONO EQUIPMENT LTD. AND MUST NOT BE REPRODUCED. COPIED, NOR ITS CONTENTS DIVULGED WITHOUT PRIOR WRITTEN PERMISSION.



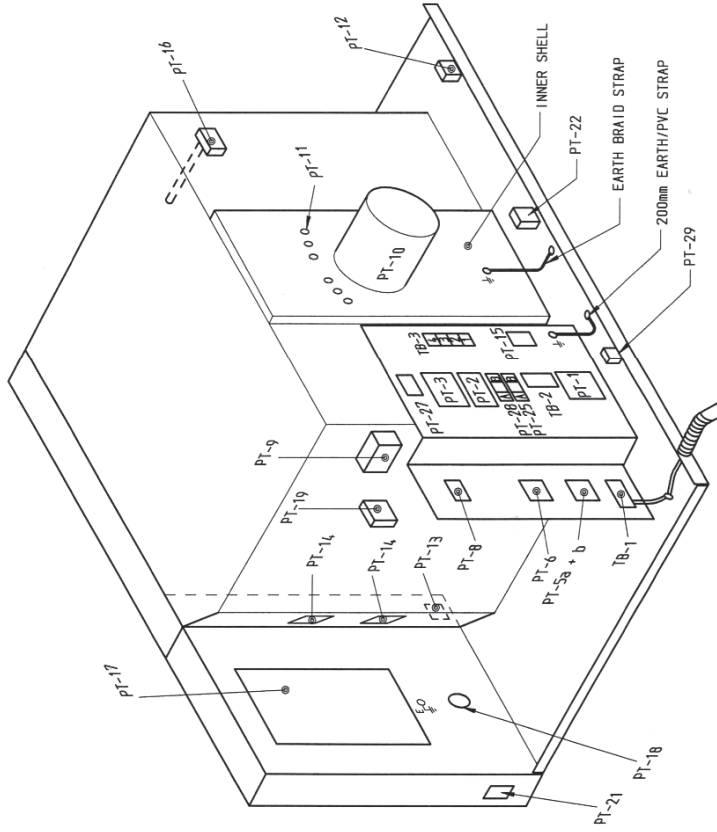
FG158 4 TRAY 1 phase

M158E25-22500	COMPONENTS
M158E25-21000	PCB CONNECTIONS
M158E25-20700	CONTROL CIRCUIT
M158E25-22600	PCB OUTPUTS
M158E25-51300	POWER CIRCUIT
M158E25-52200	FAN AND ELEMENT WIRING

**FOR ENGINEERS USE ONLY.
DO NOT ATTEMPT ANY ALTERATIONS.
IF IN DOUBT, CONTACT MONO FOR ADVICE**

SECTION 4

IF IN ANY DOUBT - ASK



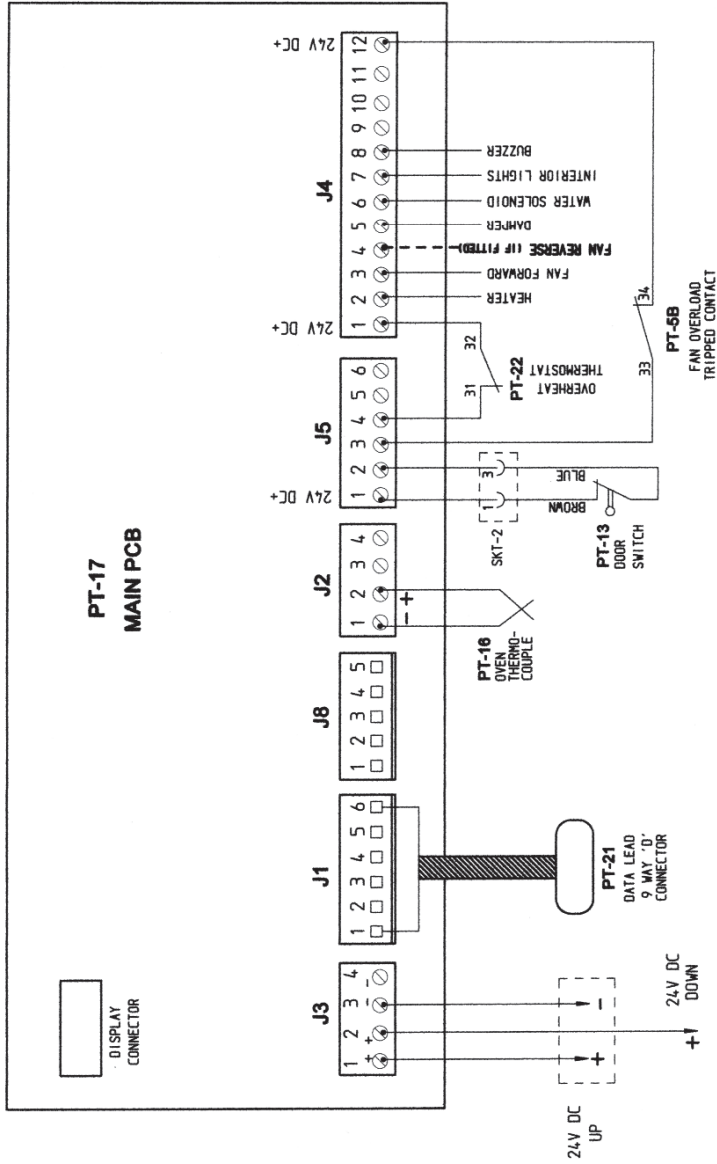
DRAWING PT-Ref	DESCRIPTION	MONO PART NUMBER
PT-1	24V DC POWER SUPPLY UNIT	B801-93-005
PT-28	INTERIOR LIGHT RELAY	B723-37-004
PT-26	INTERIOR LIGHT RELAY BASE	B723-36-001
PT-5	CONTROL CIRCUIT P.C.C.B.	B872-22-062
PT-5B	FAN MOTOR OVERLOAD UNIT	B801-03-023
PT-6	FAN MOTOR OVERLOAD AUXILIARY CONTACT	B801-14-012
PT-6	FAN MOTOR CONTACTOR	B801-08-031
PT-9	HEATING ELEMENT CONTACTOR	B801-08-021
PT-9	DAMPER SOLENOID (L/H)	B749-83-001
PT-9	DAMPER SOLENOID (R/H)	B749-83-002
PT-10	FAN MOTOR UNIT	B720-74-001
PT-11	HEATING ELEMENT (240V)	B847-04-067
PT-11	HEATING ELEMENT (220V)	B847-04-074
PT-12	4T WATER INLET ASSY	158-17-00400
PT-13	DOOR SWITCH	B842-07-023
PT-14A	INTERIOR LIGHT UNIT	B721-67-011
PT-14B	INTERIOR LIGHT BULB	B857-94-007
PT-15	BUZZER	B723-92-002
PT-16	THERMOCOUPLE	B873-95-002
PT-17	PCB ASSEMBLY	M158-25-14000
PT-18	PUSHBUTTON-GREEN-LATCHING	B836-07-004
PT-19	REAR COOLING FAN	B869-75-018
PT-21	DATA LINK SOCKET-CABLE	B705-25-005
PT-22	OVERHEAT THERMOSTAT	B888-30-014
PT-25	INTERNAL LIGHT FUSE	B842-85-042
PT-27	FAN FUSE	B842-85-025
PT-28	AUX FUSE	B842-85-039
PT-29	AUX SUPPLY SOCKET	B970-06-001

REV	SIG	DATE	REVISION	ECN NO.
D		01-04-10	PT14A WAS B721-67-006; PT14B WAS B857-94-004	315/09
C		10-2-10	PT17A & B NOW PT17 AND PT NO CHANGED	338/09
B	JC	29-01-09	PT13 WAS ASSY 154-25-01200 (B801-11-001)	195/08
A	JC	27-03-07	PT-28 & 29 ADDED	29/6

 MONO EQUIPMENT QUENSWAY SWANSEA WEST IND PARK SWANSEA SA5 4EB TEL: (01792) 561234 FAX: (01792) 561016		TITLE: ELECTRICAL COMPONENTS LAYOUT BXC 4 TRAY OVEN	
ELECTRICAL SPECIFICATIONS:- 230V 1PH 50HZ		DRAWN: JC DATE: 6-6-06 ELECTRICALLY APPROVED BY:-	
		DRAWING NO. M158E25-22500 REV: D	

COPYRIGHT © 1998 - THIS DESIGN/DRAWING IS THE PROPERTY OF MONO EQUIPMENT LTD. AND MUST NOT BE REPRODUCED, COPIED, NOR ITS CONTENTS DIVULGED WITHOUT PRIOR WRITTEN PERMISSION.

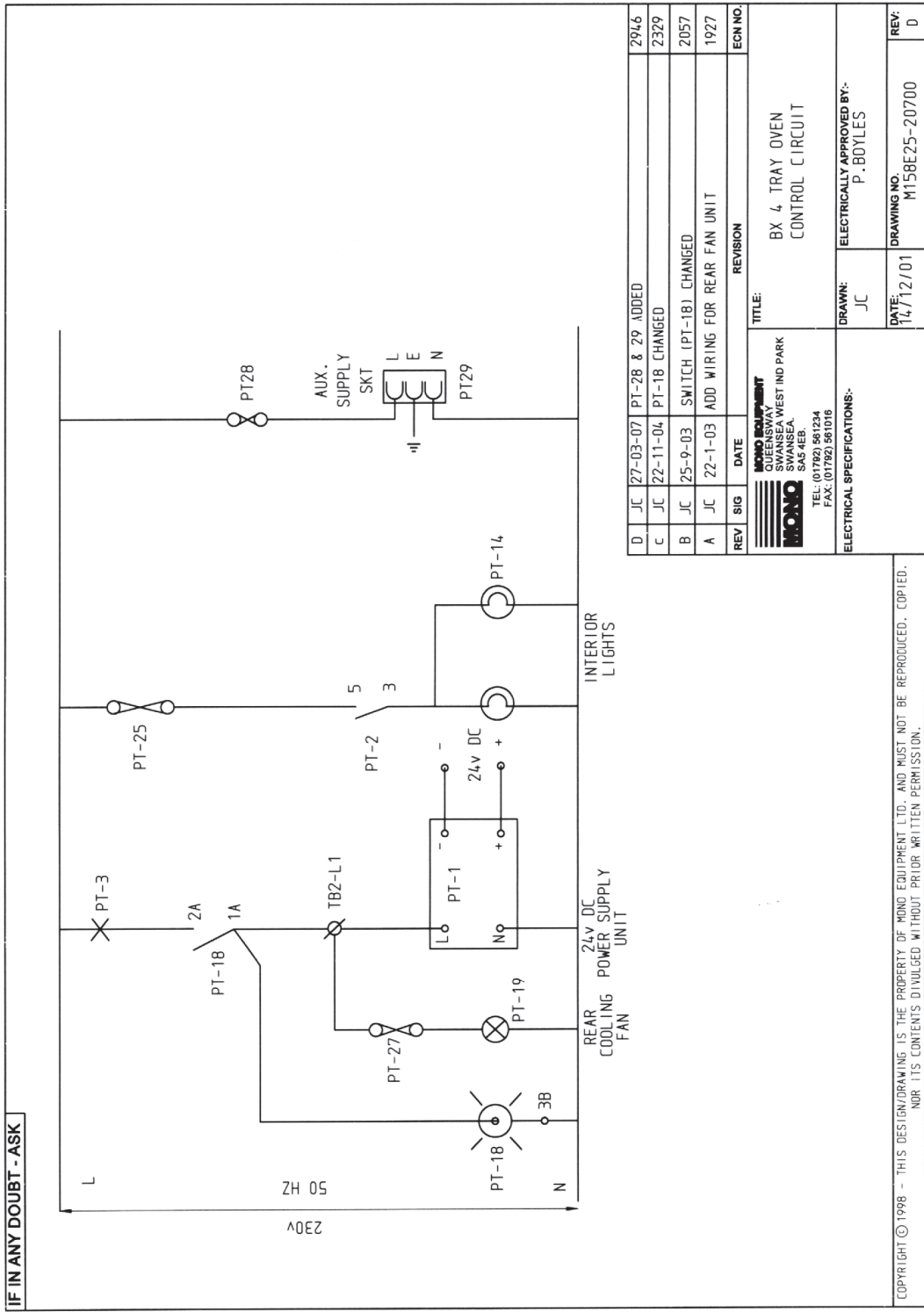
IF IN ANY DOUBT - ASK



REV	SIG	DATE	REVISION	ECH NO.
<p>MONO EQUIPMENT QUEENSWAY SWANSEA WEST IND PARK SWANSEA, SA3 4EB. TEL: (01792) 59724 FAC: (01792) 591018</p>				
TITLE:			BXC 4 TRAY OVEN PCB CONNECTIONS	
ELECTRICAL SPECIFICATIONS:-			DRAWN: JC DATE: 6-6-06 ELECTRICALLY APPROVED BY:- A. THOMAS	
3PH & 1PH			DRAWING NO. M158E25-21000 REV: -	

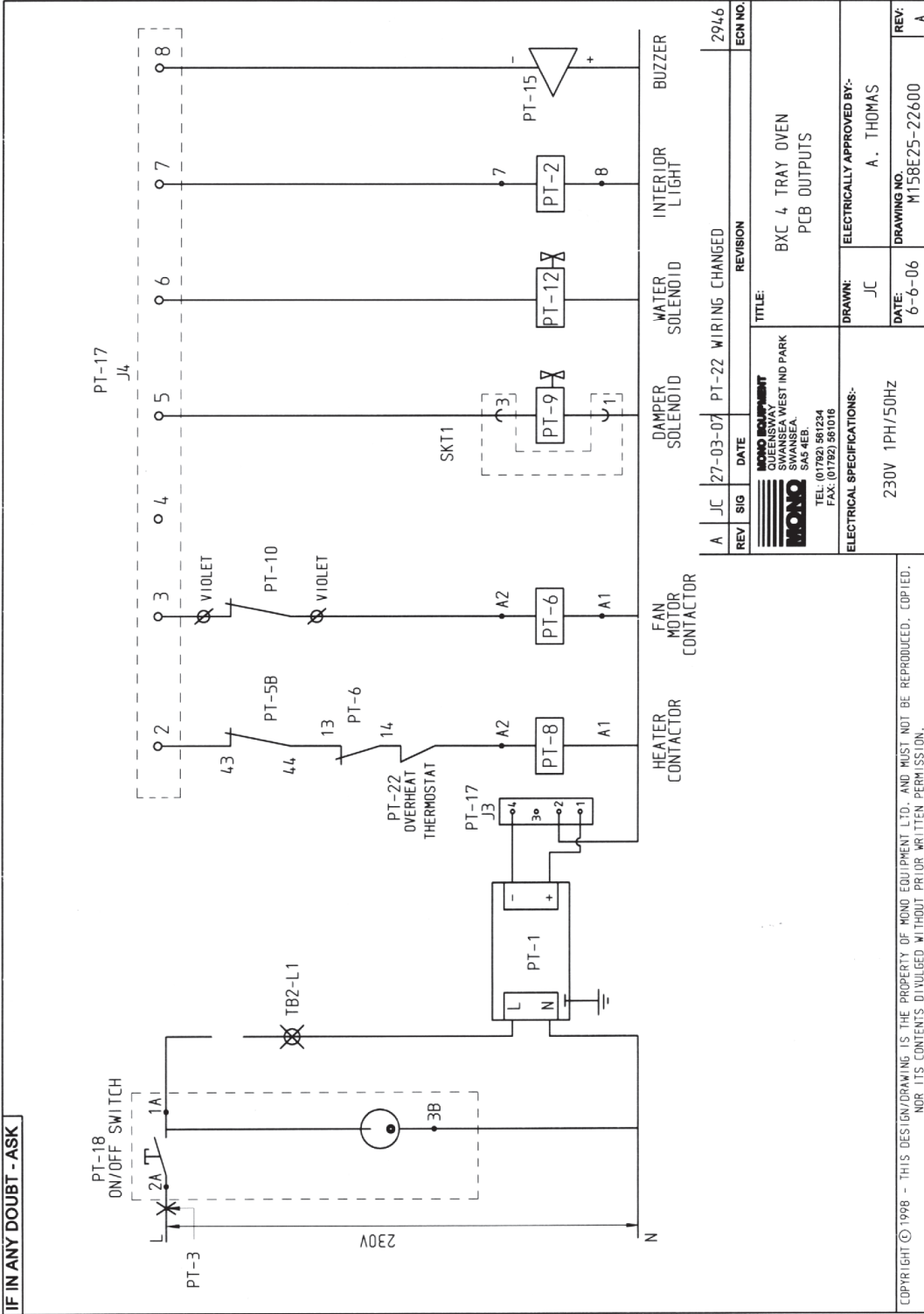
COPYRIGHT © 1998 - THIS DESIGN/DRAWING IS THE PROPERTY OF MONO EQUIPMENT LTD. AND MUST NOT BE REPRODUCED, COPIED, NOR ITS CONTENTS DIVULGED WITHOUT PRIOR WRITTEN PERMISSION.

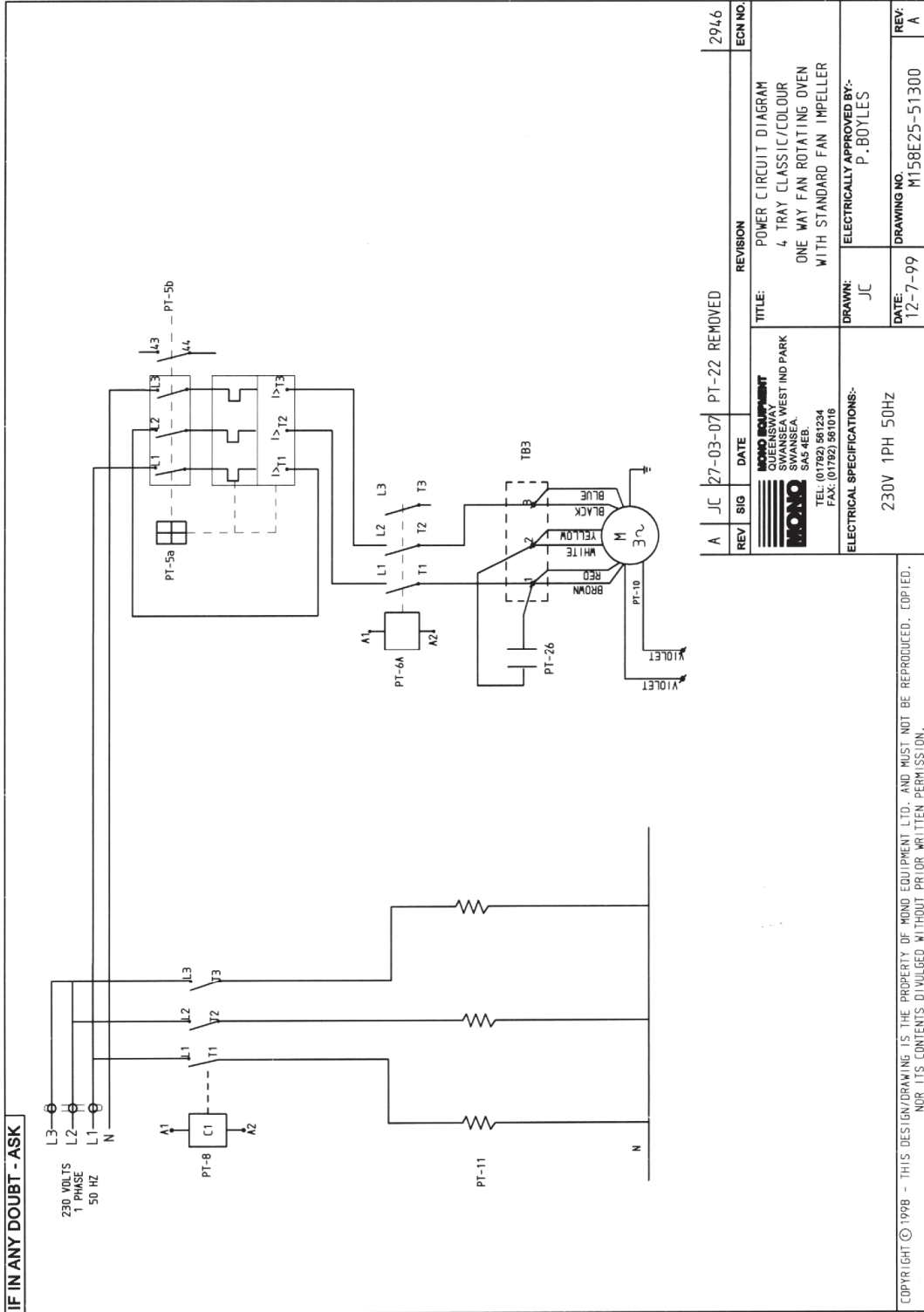




REV	SIG	DATE	REVISION	ECN NO.
D	JC	27-03-07	PT-28 & 29 ADDED	2946
C	JC	22-11-04	PT-18 CHANGED	2329
B	JC	25-9-03	SWITCH (PT-18) CHANGED	2057
A	JC	22-1-03	ADD WIRING FOR REAR FAN UNIT	1927

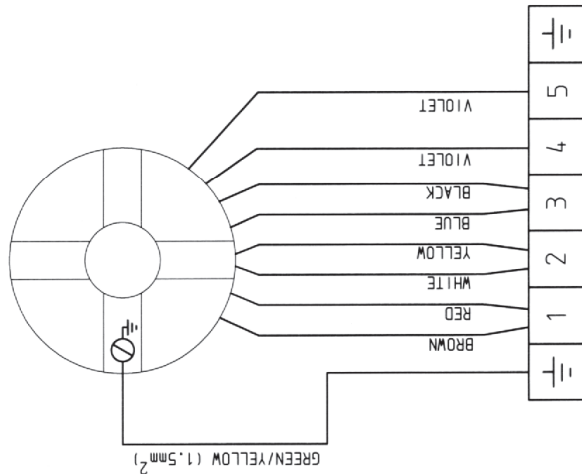
 MONO EQUIPMENT QUEENSWAY SWANSEA WEST IND PARK SWANSEA, SA5 4EB. TEL: (01792) 561234 FAX: (01792) 561016	TITLE: BX 4 TRAY OVEN CONTROL CIRCUIT
ELECTRICAL SPECIFICATIONS:- DRAWN: JC DATE: 14/12/01	ELECTRICALLY APPROVED BY:- P. BOYLES DRAWING NO: M158E25-20700
REV: D	



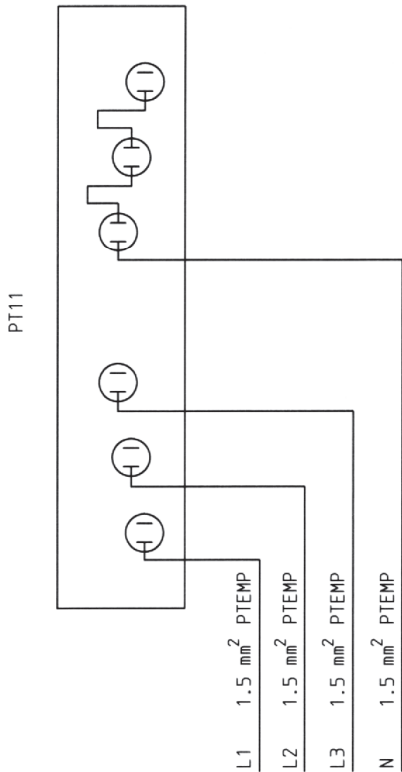




IF IN ANY DOUBT - ASK



FAN MOTOR CONNECTIONS



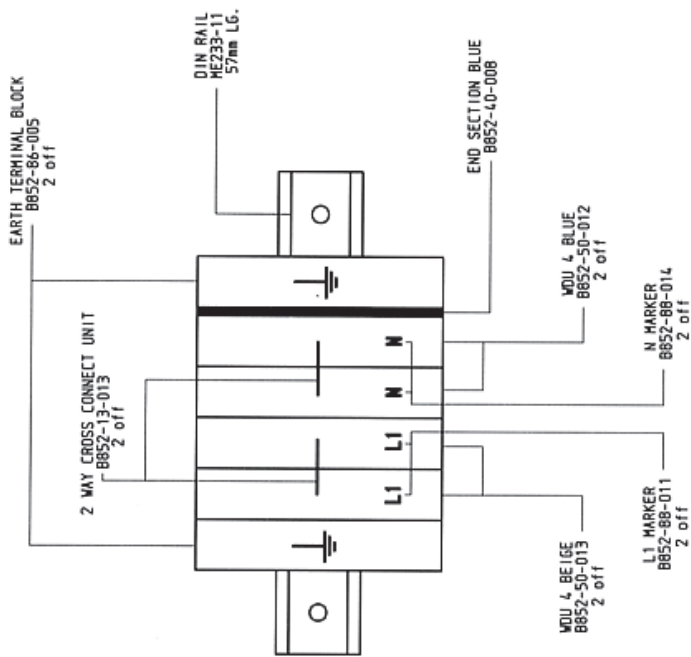
HEATING ELEMENT WIRING

REV	SIG	DATE	REVISION	ECN NO.
			FAN MOTOR CONNECTIONS & HEATING ELEMENT WIRING 4 TRAY CLASSIC/COLOUR ONE WAY FAN ROTATING OVEN	
 MONO EQUIPMENT SWANSEA WEST IND PARK SWANSEA SA5 4EB. TEL: (01792) 561234 FAX: (01792) 561016			DRAWN: JC DATE: 15-7-99 DRAWING NO: MT58E25-52200 REV: —	
ELECTRICAL SPECIFICATIONS:-			ELECTRICALLY APPROVED BY:-	
230V 1PH 50Hz			P. BOYLES	

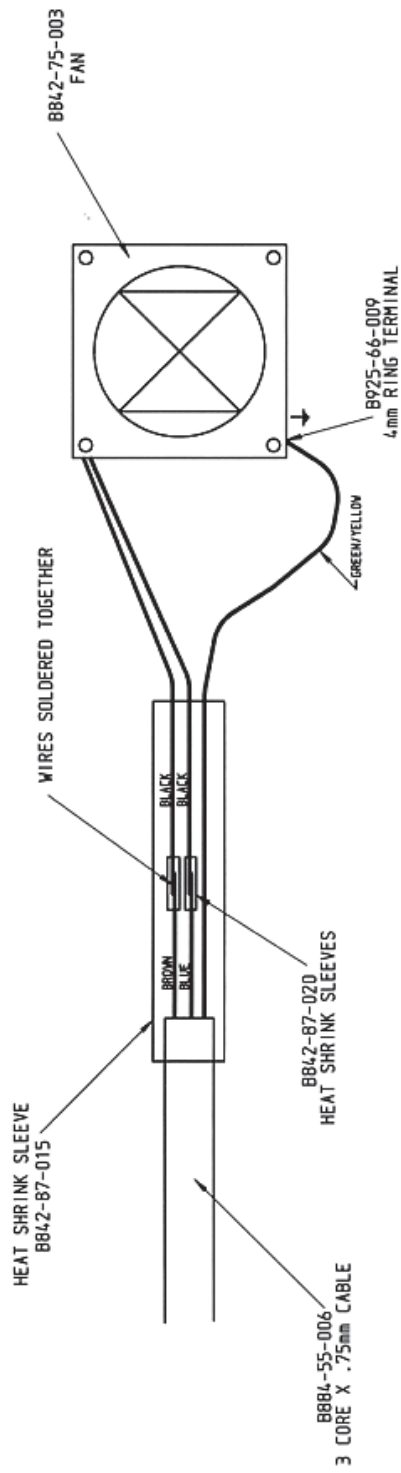
COPYRIGHT © 1998 - THIS DESIGN/DRAWING IS THE PROPERTY OF MONO EQUIPMENT LTD. AND MUST NOT BE REPRODUCED, COPIED, NOR ITS CONTENTS DIVULGED WITHOUT PRIOR WRITTEN PERMISSION.

FOR ENGINEERS USE ONLY.
DO NOT ATTEMPT ANY ALTERATIONS.
IF IN DOUBT, CONTACT MONO FOR ADVICE

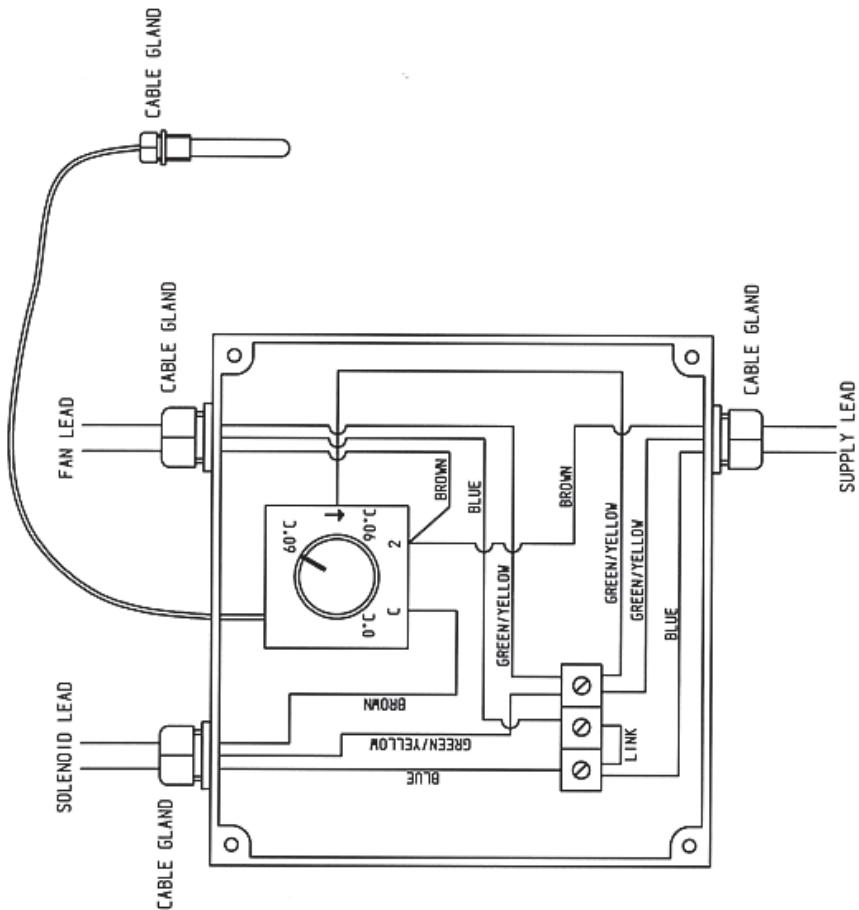
CONDENSER



CONDENSER UNIT
 TERMINAL BLOCK LAYOUT
 H150-25-10000

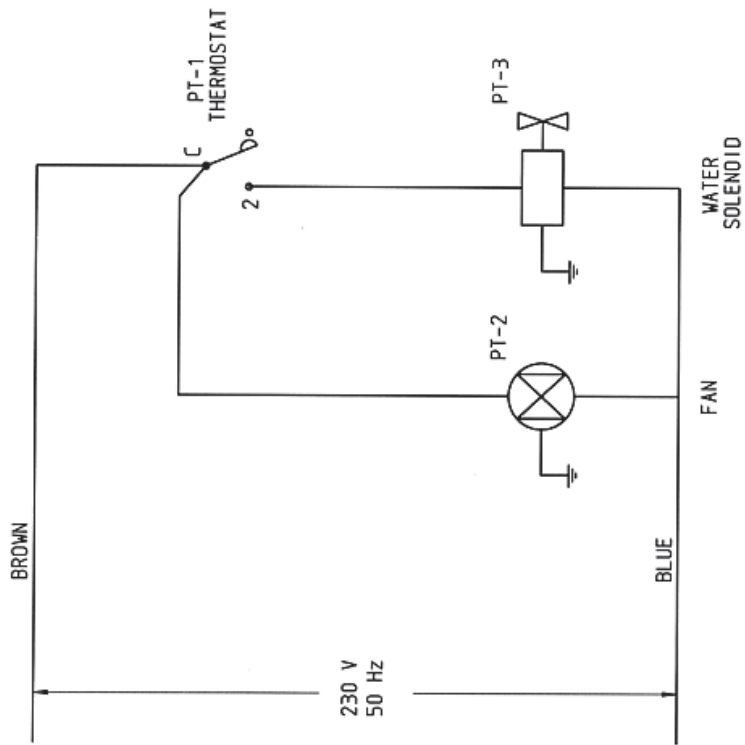


CONDENSER UNIT
 FAN CONNECTIONS
 H150-25-10200



CONDENSER UNIT
ENCLOSURE BOX CONNECTIONS
M150-25-10300





CONDENSER UNIT
CIRCUIT DIAGRAM
M150-25-10100

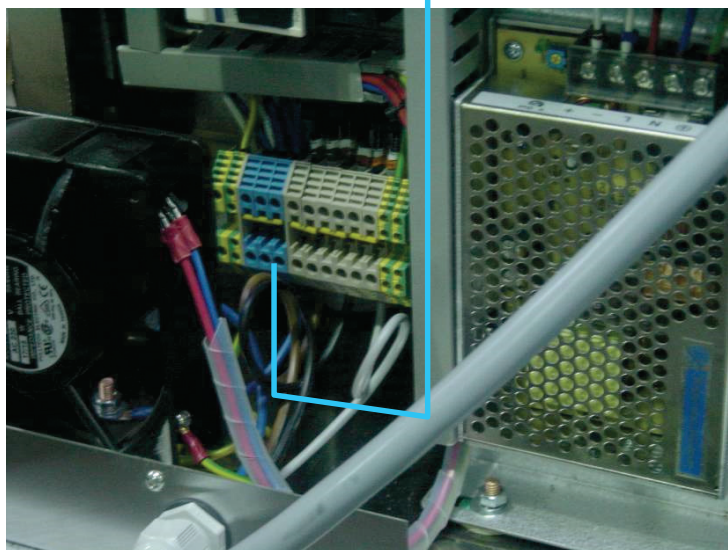
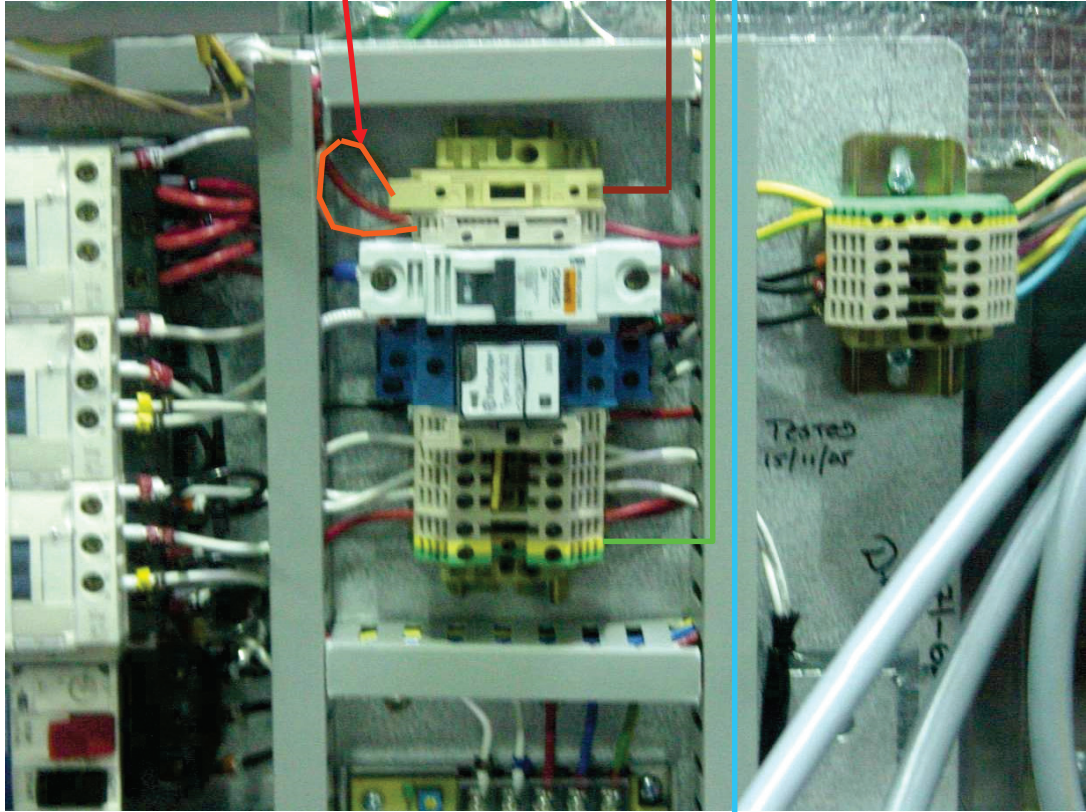
CONDENSER WIRING 4 TRAY OVEN

FIT LINK WIRE

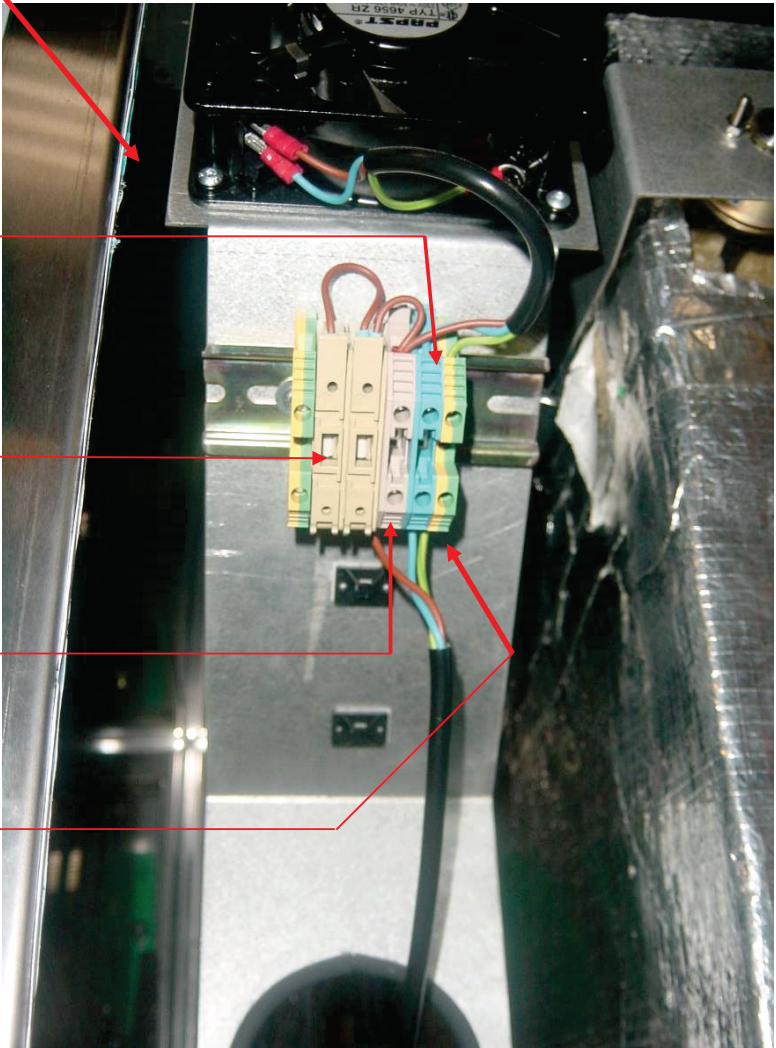
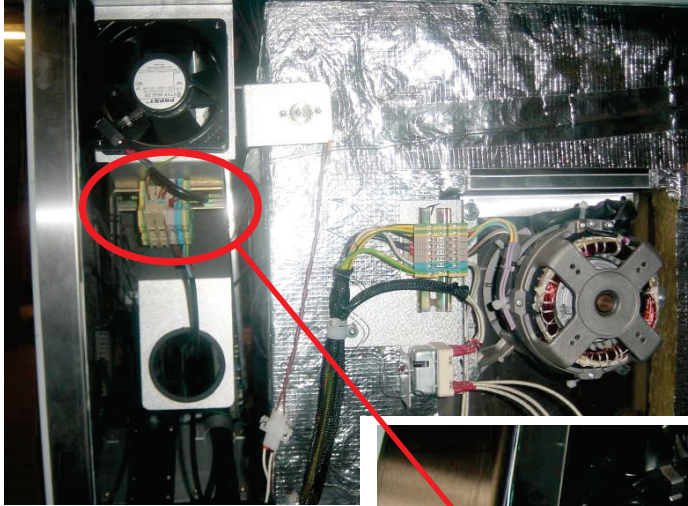
L

N

E



CONDENSER WIRING 10 TRAY Bx OVEN

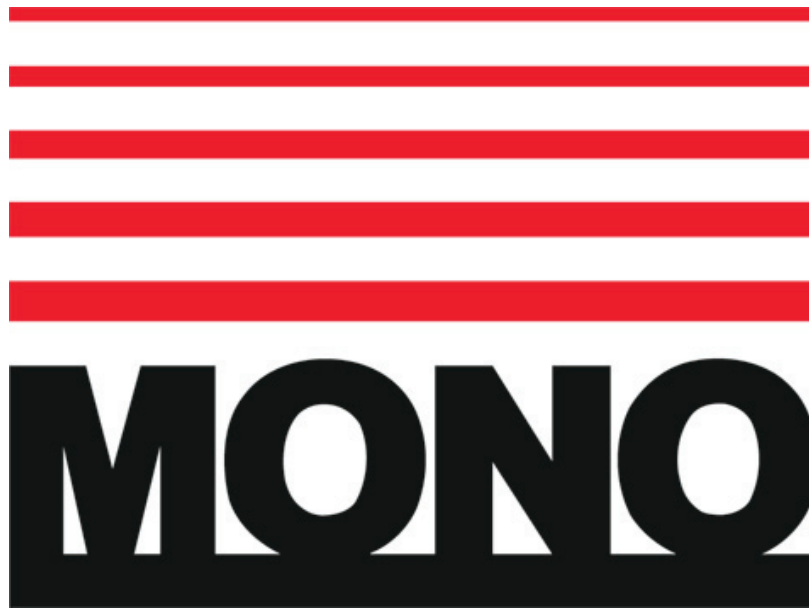


BLUE

1 AMP T FUSE

BROWN

GREEN/YELLOW



MONO Equipment

Queensway, Swansea West Industrial Park, Swansea, SA5 4EB UK

Tel. 01792 561234

Fax. 01792 561016

Email: mono@monoequip.com

www.monoequip.com

As it is our policy to improve our machines continuously, we reserve the right to change specifications without prior notice.