



www.monoequip.com



Bx OVEN

ELECTRICAL INFORMATION

CLASSIC

**FOR ENGINEERS USE ONLY.
DO NOT ATTEMPT ANY ALTERATIONS.
IF IN DOUBT, CONTACT MONO FOR ADVICE**

CONTENTS

BX CLASSIC WIRING DIAGRAMS

SECTION 1

FG149/150

10 TRAY CLASSIC

PAGE 3

M150E25-04200	COMPONENTS
M150E25-04100	PANEL LAYOUT
M150E25-04300	PCB OUTPUTS
M150E25-50800	PCB CONNECTIONS
M150E25-04600	INTERIOR LIGHT AND POWER CIRCUIT
M150E25-04400	PCB INPUTS
M150E25-03200	MOTOR POWER CIRCUIT
M150E25-03300	HEATING POWER CIRCUIT
M150E25-03400	FAN CONNECTIONS AND ELEMENT WIRING

SECTION 2

FG156

2 TRAY CLASSIC

PAGE 13

M156E25-13500	COMPONENTS
M156E25-13000	CONTROL AND POWER CIRCUIT
M156E25-13600	PCB OUTPUTS
M156-25-50500	PCB INPUTS
M156-25-50800	PCB CONNECTIONS
M156E25-50200	COMPONENTS (1 PHASE)

SECTION 3

FG153/158/159 4 TRAY, 3 PHASE CLASSIC

M159E25-11300	COMPONENTS (159 ONLY)
M158E25-52000	COMPONENTS (153/158 ONLY)
M158E25-50800	PCB CONNECTIONS
M158E25-50500	PCB INPUTS
M158E25-50100	PCB OUTPUTS
M158E25-20700	CONTROL CIRCUIT
M158E25-01800	POWER CIRCUIT
M158E25-01900	FAN CONNECTIONS AND ELEMENT WIRING

PAGE 20

SECTION 4

FG153/158/159 4 TRAY, 1 PHASE CLASSIC

M158E25-51200	COMPONENTS (153/158 ONLY)
M159E25-11200	COMPONENTS (159 ONLY)
M158E25-51400	PCB OUTPUTS
M158-25-51500	PCB CONNECTIONS
M158E25-50500	PCB INPUTS
M158E25-20700	CONTROL CIRCUIT
M158E25-51300	POWER CIRCUIT
M158E25-52200	FAN CONNECTIONS AND ELEMENT WIRING

PAGE 29

CONDENSER (IF FITTED)

PAGE 38

FG149/150 CLASSIC 10 TRAY

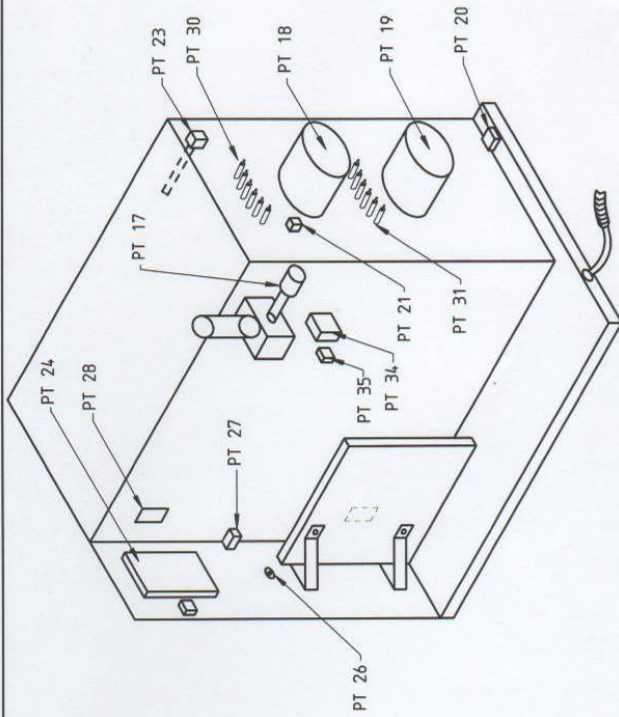
M150E25-04200	COMPONENTS
M150E25-04100	PANEL LAYOUT
M150E25-04300	PCB OUTPUTS
M150E25-04500	PCB CONNECTIONS
M150E25-04600	INTERIOR LIGHT AND POWER CIRCUIT
M150E25-04400	PCB INPUTS
M150E25-03200	MOTOR POWER CIRCUIT
M150E25-03300	HEATING POWER CIRCUIT
M150E25-03400	FAN CONNECTIONS AND ELEMENT WIRING

SECTION 1

FOR ENGINEERS USE ONLY.
DO NOT ATTEMPT ANY ALTERATIONS.
IF IN DOUBT, CONTACT MONO FOR ADVICE

IF IN ANY DOUBT - ASK

DRAWING PT-Ref	DESCRIPTION	MONO PART NUMBER
PT-2	CONTROL CIRCUIT M.C.B.	8872-22-062
PT-4a	FAN MOTOR OVERLOAD UNIT N'1 (TOP)	8801-03-020
PT-4b	FAN MOTOR OVERLOAD N'1 AUXILIARY CONTACT	8801-14-012
PT-5a	FAN MOTOR OVERLOAD UNIT N'2 (BOTTOM)	8801-03-020
PT-5b	FAN MOTOR OVERLOAD N'2 AUXILIARY CONTACT	8801-14-012
PT-10a	FAN MOTOR CONTACTOR N'1-FORWARD (TOP MOTOR)	8801-08-031
PT-10b	FAN MOTOR CONTACTOR N'1-REVERSE (TOP MOTOR)	8801-08-031
PT-11a	FAN MOTOR CONTACTOR N'2-FORWARD (BTM MOTOR)	8801-08-031
PT-11b	FAN MOTOR CONTACTOR N'2-REVERSE (BTM MOTOR)	8801-08-031
PT-14	24V DC POWER SUPPLY UNIT	8801-93-005
PT-15	HEATING ELEMENT CONTACTOR	8801-08-020
PT-17	{ DAMPER SOLENOID (L/H) DAMPER SOLENOID (R/H)	{ 8749-83-003 8749-83-004
PT-18	FAN MOTOR UNIT N'1 (TOP MOTOR)	8720-74-005
PT-19	FAN MOTOR UNIT N'1 (BOTTOM MOTOR)	8720-74-005
PT-20	WATER SOLENOID	150-07-00400
PT-21	OVERHEAT THERMOSTAT N'1 (TOP)	8888-30-014
PT-23	OVEN THERMOCOUPLE	8873-95-002
PT-24	MAIN P.C.B.	8705-97-013
PT-26	MAIN OFF/ON SWITCH	8836-07-004
PT-27	DOOR SWITCH	8842-07-037
PT-288	INTERIOR LIGHT BULB	8855-94-009
8KW ELEMENT OVENS ONLY		
PT-30	HEATING ELEMENT UNIT N'1 (TOP)	8847-04-068
PT-31	HEATING ELEMENT UNIT N'2 (BOTTOM)	8847-04-068
PT-30	HEATING ELEMENT UNIT N'1 (TOP)	220v
PT-31	HEATING ELEMENT UNIT N'2 (BOTTOM)	220v
7KW ELEMENT OVENS ONLY		
PT-30	HEATING ELEMENT UNIT N'1 (TOP)	8847-04-067
PT-31	HEATING ELEMENT UNIT N'2 (BOTTOM)	8847-04-067
PT-30	HEATING ELEMENT UNIT N'1 (TOP)	8847-04-074
PT-31	HEATING ELEMENT UNIT N'2 (BOTTOM)	8847-04-074
PT-34	REAR FAN UNIT	8869-75-018
PT-35	REAR FAN UNIT FUSE	8842-85-025
PT-36	AUX POWER OUTLET	8970-06-001
PT-37	AUX POWER OUTLET FUSE	8842-85-039

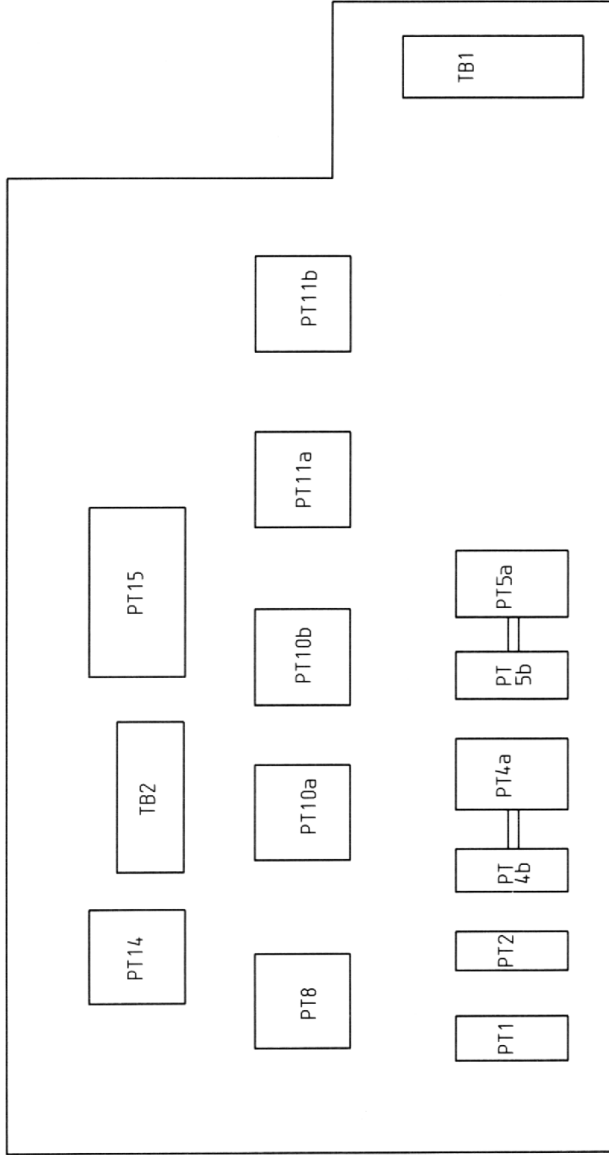


REV	SIG	DATE	REVISION	ECN NO.
M	JC	02-05-19	PT-27 WAS 8842-07-023	BX-001-18-19
L	JC	27-11-18	PT-18 & PT-19 WERE 8720-74-001	BX-009-17-18
K	RAC	11-11-09	PARTS 1, 8, 28A DELETED. 288 WAS 8857-94-004	B15/09
J	JC	29-01-09	PT27 WAS ASSY 154-25-01200 (8801-11-001)	195/08
I	RAC	29-03-07	PT22 O/HEAT THERMOSTAT DELETED: PT36/37 ADDED	2946
H	JC	30-10-06	PT-17 WAS 8749-83-001 & 8749-83-002	2868
G	RAC	31-10-05	8859- NOW 8801-	2573
F	JC	27-7-05	PT-23 WAS 8873-95-001	2525
E	JC	13-6-05	PT-14 WAS 8705-93-006	2483
D	JC	7-4-05	PT-28A WAS 8721-67-001	2435
C	JC	22-11-04	PT-26 WAS 8842-07-014	2329
B	JC	22-11-04	PT-34 WAS 8869-75-023	2318
A	JC	14-2-03	EXISTING SMALL FAN DELETED (IN CONJUNCTION WITH ECM 1925)	1927

MONO EQUIPMENT	REVISION	ECN NO.
QUEENSWAY SWANSEA WEST IND PARK SWANSEA SA6 4EB.		
TEL: (01782) 961234 FAX: (01782) 961016		
TITLE: ELECTRICAL COMPONENTS LAYOUT 10 TRAY CLASSIC OVEN		
ELECTRICAL SPECIFICATIONS:- 380V/4,15V 3PH-N 50Hz	DRAWN: JC	ELECTRICALLY APPROVED BY:-
DATE: 25-1-01	DRAWING NO M150E25-04200	REV: M

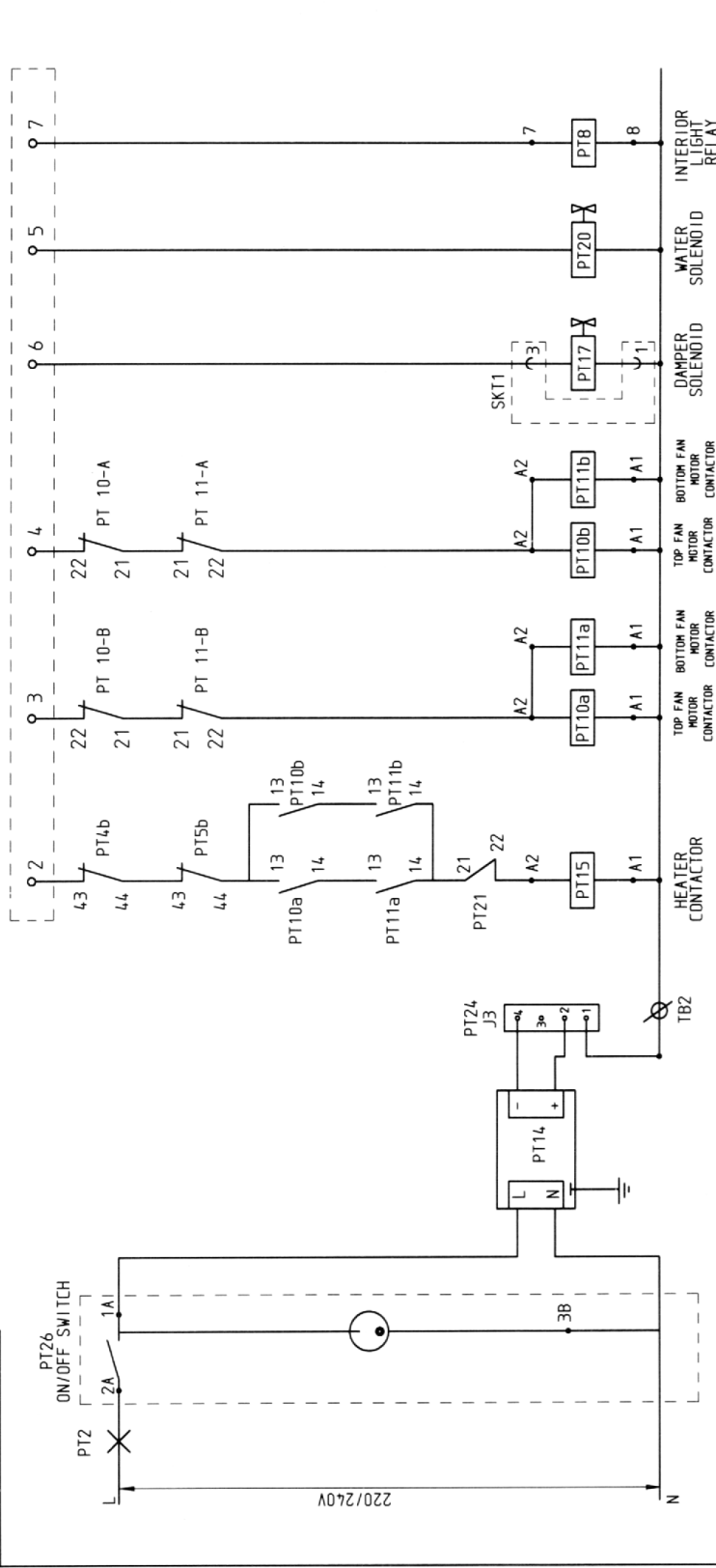
COPYRIGHT © 1998 - THIS DESIGN/DRAWING IS THE PROPERTY OF MONO EQUIPMENT LTD. AND MUST NOT BE REPRODUCED, COPIED, NOR ITS CONTENTS DIVULGED WITHOUT PRIOR WRITTEN PERMISSION.

IF IN ANY DOUBT - ASK



REV	SIG	DATE	REVISION	ECN NO.
<p>MOND EQUIPMENT SUDBURY WEST IND PARK SWANSEA, SA5 4EB. TEL: (01782) 581234 FAX: (01782) 581018</p>			TITLE: 10 TRAY OVEN WITH FAN REVERSING MAIN CONTROL PANEL LAYOUT	
ELECTRICAL SPECIFICATIONS:-			DRAWN: JC ELECTRICALLY APPROVED BY: P. BOYLES	
COPYRIGHT © 1998 - THIS DESIGN/DRAWING IS THE PROPERTY OF MOND EQUIPMENT LTD. AND MUST NOT BE REPRODUCED, COPIED, NDR ITS CONTENTS DIVULGED WITHOUT PRIOR WRITTEN PERMISSION.			DATE: ZL-1-01 DRAWING NO: M150E25-04.100	REV: -

IF IN ANY DOUBT - ASK



REV	SIG	DATE	REVISION	ECN NO.
D	RAC	22-2-07	PT21 O/HEAT THERMOSTAT WIRING CHANGED	2946
C	RAC	31-10-05	A1 AND A2 CHANGED AROUND	2573
B	JC	26-9-03	PT26 WIRED IN CONJUNCTION WITH ECN 2055-2057	2058
A	JC	14-2-03	EXISTING SMALL FAN DELETED (IN CONJUNCTION WITH ECN 1925)	1927

MONO EQUIPMENT
 1500 WEST 10TH AVENUE
 SWANSEA, MA 01903
 SA5 4EB.
 TEL: (01782) 561234
 FAX: (01782) 561016

TITLE:
 P.C.B. OUTPUTS
 10 TRAY CLASSIC OVEN

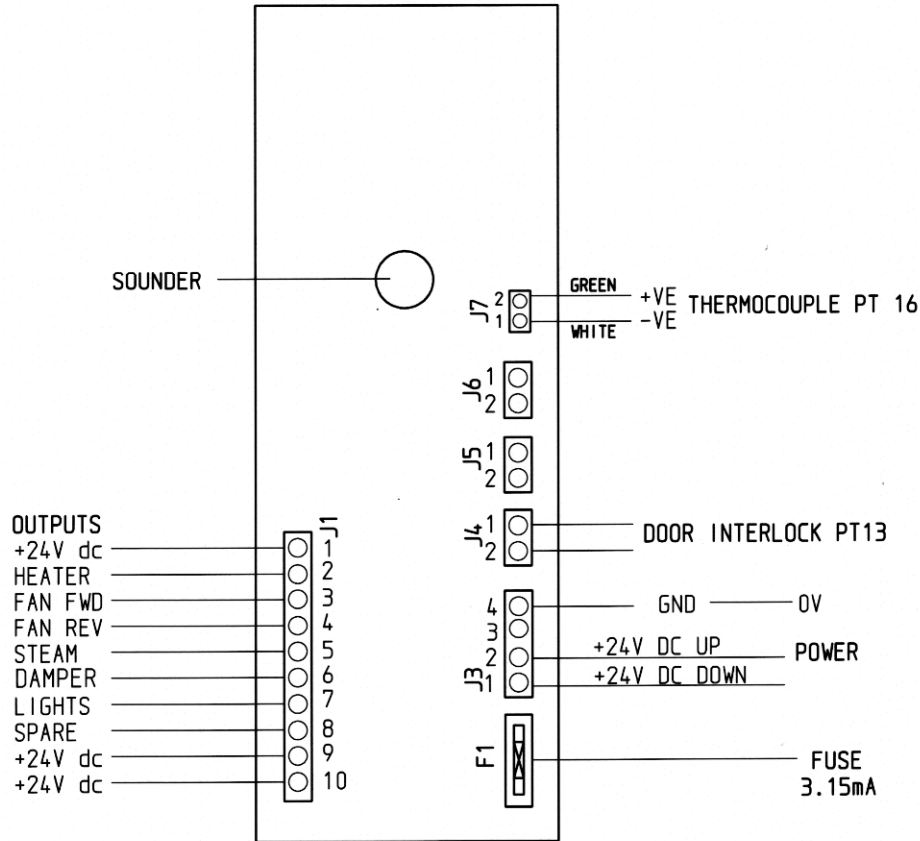
DRAWN: JC
ELECTRICALLY APPROVED BY: P. BOYLES

DATE: 25-1-01
DRAWING NO: M150E25-04300

ELECTRICAL SPECIFICATIONS:-
 380V/415V 3PH+N 50HZ

COPYRIGHT © 1998 -- THIS DESIGN/DRAWING IS THE PROPERTY OF MONO EQUIPMENT LTD. AND MUST NOT BE REPRODUCED, COPIED, NOR ITS CONTENTS DIVULGED WITHOUT PRIOR WRITTEN PERMISSION.

CONTROLLER BOARD AS VIEWED FROM COMPONENT SIDE
 'CLASSIC' OVEN CONTROLLER



D	RAC	4-11-16	PICTORIAL CHANGES. BOARD WAS B705-97-013 NOW B705-97-027	BX-006-16-17
C	JC	24-1-03	DELETE SMALL COOLING FAN (IN CONJUNCTION WITH ECN 1927)	1925
B	JC	22-1-03	ADD WIRING FOR REAR FAN UNIT	1927
A	JC	22-2-01	RE-ARRANGE POWER CIRCUIT WIRES TO PCB	14/19
REV	SIG	DATE	REVISION	ECN NO.



MONO EQUIPMENT
 QUEENSWAY
 SWANSEA WEST IND PARK
 SWANSEA.
 SA5 4EB.
 TEL: (01792) 561234
 FAX: (01792) 561016

TITLE: MAIN P.C.B. CONNECTIONS
 4 TRAY CLASSIC OVEN

DRAWN: MT

ELECTRICALLY APPROVED BY:-

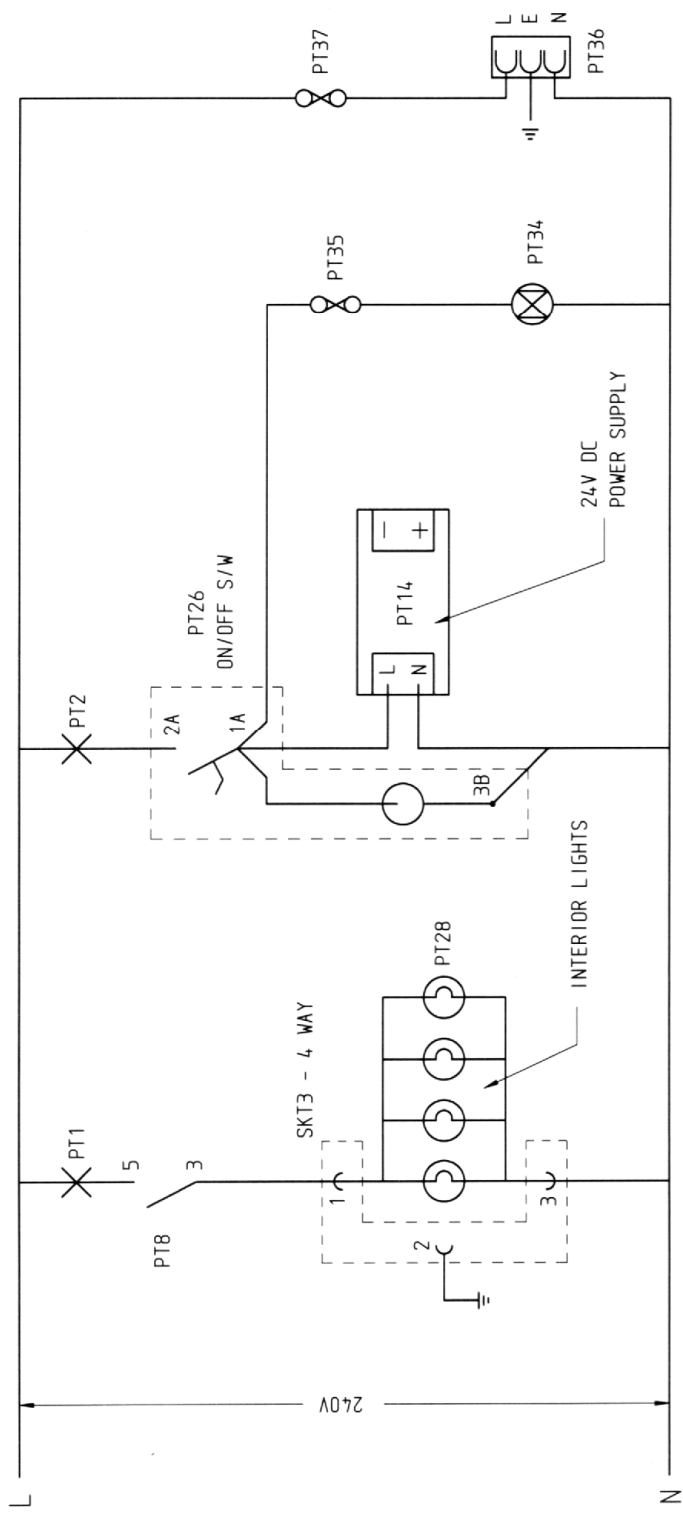
ELECTRICAL SPECIFICATIONS:-

DATE: 1-12-98

DRAWING NO. M158E25-50800

REV: D

IF IN ANY DOUBT - ASK



REAR FAN UNIT

REV	SIG	DATE	REVISION	ECN NO.
C	RAC	22-2-07	PT36 & PT37 ADDED	2946
B	JC	26-9-03	PT26 WIRED IN CONJUNCTION WITH ECN 2055-2057	2058
A	JC	14-2-03	EXISTING SMALL FAN DELETED (IN CONJUNCTION WITH ECN 1925)	1927

MONO EQUIPMENT
 QUEENSWAY
 SWANSEA WEST IND PARK
 SWANSEA,
 SA5 4EB.
 TEL: (01792) 561034
 FAX: (01792) 561016

TITLE: INTERIOR LIGHT & POWER SUPPLY CIRCUIT
CLASSIC 10 TRAY OVEN

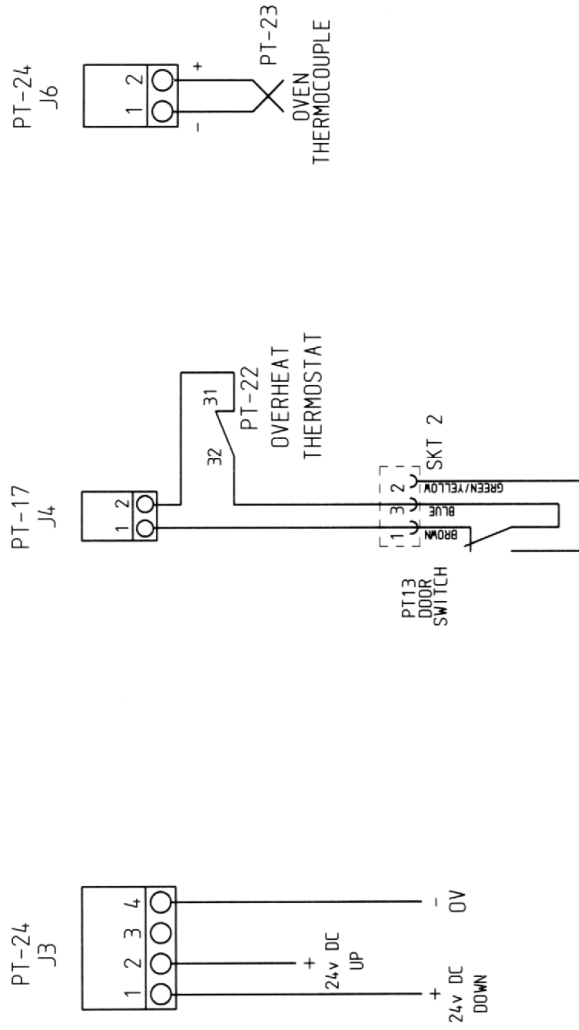
DRAWN: JC
ELECTRICALLY APPROVED BY:- P. BOYLES

ELECTRICAL SPECIFICATIONS:-
 380/415V 3PH+N 50HZ

DATE: 12-2-03
DRAWING NO.: M150E25-04.600

COPYRIGHT © 1998 - THIS DESIGN/DRAWING IS THE PROPERTY OF MONO EQUIPMENT LTD. AND MUST NOT BE REPRODUCED, COPIED, NOR ITS CONTENTS DIVULGED WITHOUT PRIOR WRITTEN PERMISSION.

IF IN ANY DOUBT - ASK

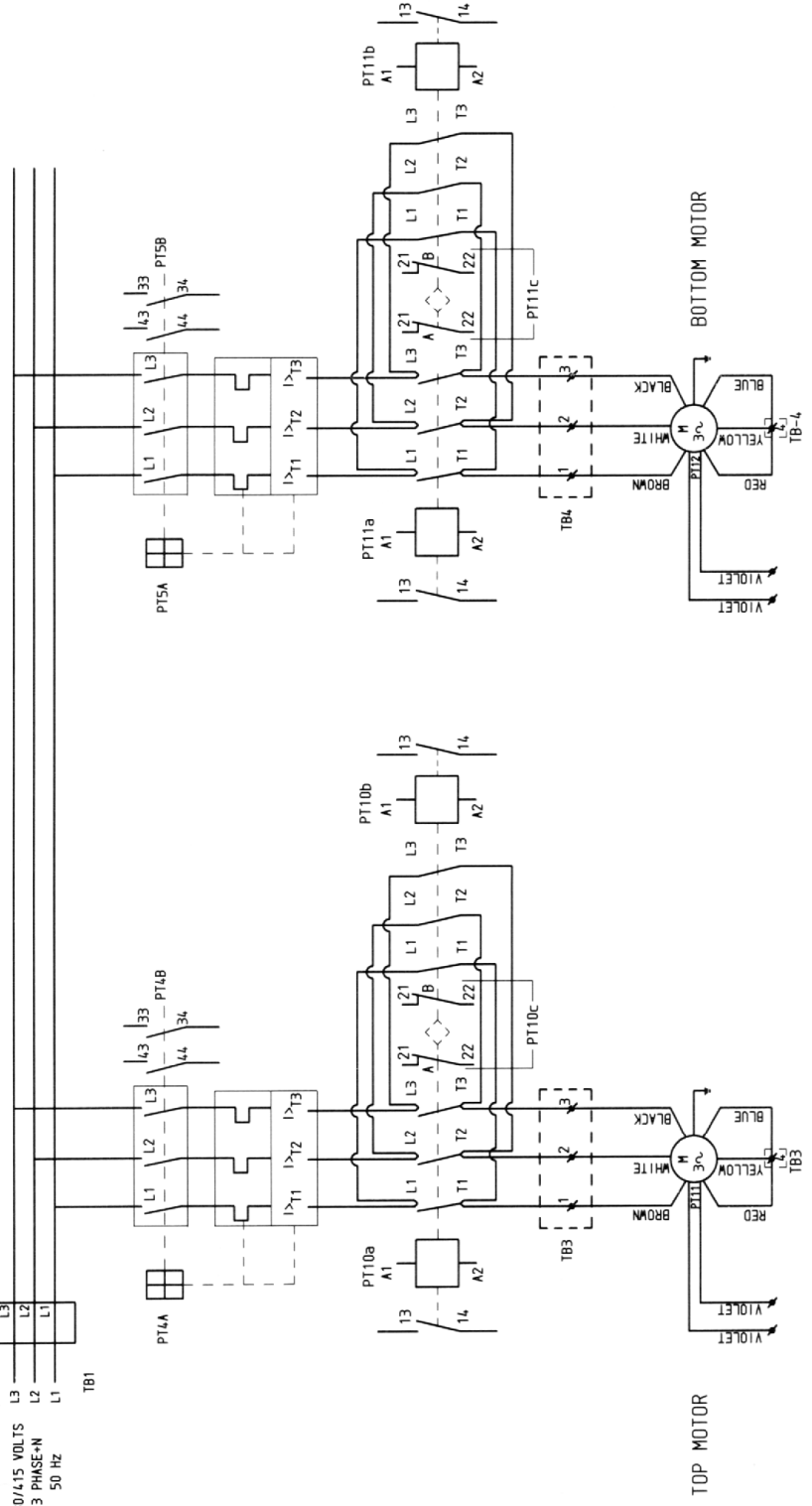


B	RAC	22-2-07	PT22 O/HEAT THERMOSTAT WIRING ALTERED	2946
A	JC	14-2-03	EXISTING SMALL FAN DELETED (IN CONJUNCTION WITH ECN 1925)	1927
REV	SIG	DATE	REVISION	ECN NO.
<p>MONO EQUIPMENT QUEENSWAY WARRIEWAY WEST IND PARK WARRIEWAY, N.S.W. 2114 TEL: (01782) 561234 FAX: (01782) 561016</p>				
<p>MONO</p>				
<p>ELECTRICAL SPECIFICATIONS:-</p>				
<p>TITLE: P.C.B. INPUTS 10 TRAY CLASSIC L.E.D. OVEN</p>				
<p>DRAWN: JC ELECTRICALLY APPROVED BY: P. BOYLES</p>				
<p>DATE: 25-1-01 DRAWING NO. M150E25-044.00</p>				
<p>REV: B</p>				

COPYRIGHT © 1998 - THIS DESIGN/DRAWING IS THE PROPERTY OF MONO EQUIPMENT LTD. AND MUST NOT BE REPRODUCED, COPIED, NOR ITS CONTENTS DIVULGED WITHOUT PRIOR WRITTEN PERMISSION.

IF IN ANY DOUBT - ASK

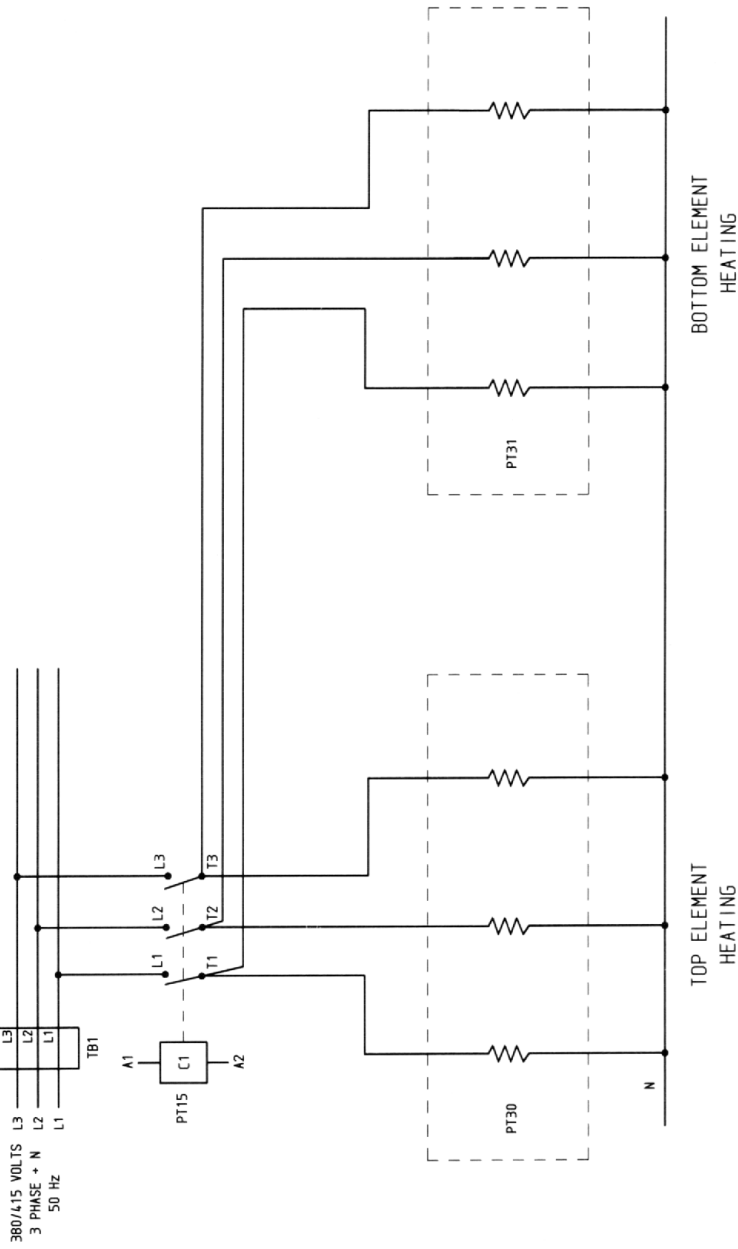
380/415 VOLTS
 3 PHASE-N
 50 HZ



REV	SIG	DATE	REVISION	ECN NO.
MONO EQUIPMENT QUEENSWAY SWANSEA WEST IND PARK SA5 4EB SA5 4EB TEL: (01792) 561234 FAX: (01792) 561016				
ELECTRICAL SPECIFICATIONS:- 380/415V 3 PH & N 50HZ			TITLE: MOTOR POWER CIRCUIT DIAGRAM 10 TRAY OVEN MK11	
ELECTRICALLY APPROVED BY:- A.L.W.			DRAWING NO. M150E25-03200	
DATE: 3/2/00			REV: -	

COPYRIGHT © 1998 - THIS DESIGN/DRAWING IS THE PROPERTY OF MONO EQUIPMENT LTD. AND MUST NOT BE REPRODUCED, COPIED, NOR ITS CONTENTS DIVULGED WITHOUT PRIOR WRITTEN PERMISSION.

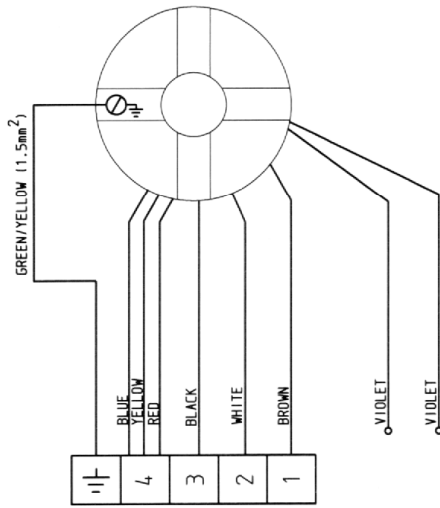
IF IN ANY DOUBT - ASK



REV	SIG	DATE	REVISION	ECN NO.
A		22-2-07	PT21 & PT22 0/HEAT THERMOSTATS REMOVED	2946
<p>MONO EQUIPMENT QUEENSWAY WILMINGTON, WEST IND PARK SWANSEA, SA5 4EB. TEL: (01792) 561234 FAX: (01792) 561016</p>				
ELECTRICAL SPECIFICATIONS:-			TITLE:	
380/415V 3 PHASE+N 50Hz			HEATING POWER CIRCUIT DIAGRAM 10 TRAY OVEN MK11	
DRAWN: A.L.W.			ELECTRICALLY APPROVED BY: P.BOYLES	
DATE: 3/2/00			DRAWING NO. M150E25-03300	
			REV: A	

COPYRIGHT © 1998 - THIS DESIGN/DRAWING IS THE PROPERTY OF MONO EQUIPMENT LTD. AND MUST NOT BE REPRODUCED, COPIED, NOR ITS CONTENTS DIVULGED WITHOUT PRIOR WRITTEN PERMISSION.

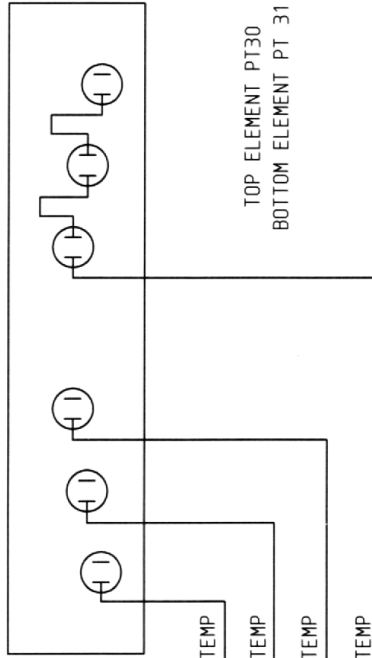
IF IN ANY DOUBT - ASK



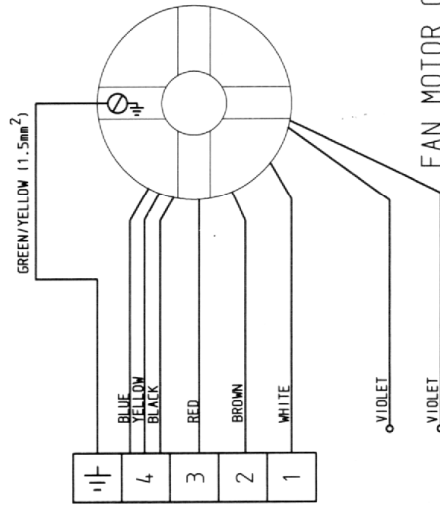
TOP MOTOR PT 18
CLOCKWISE DIRECTION WHEN
VIEWED FROM FRONT OF OVEN

- L1 1.5 mm² PTEMP
- L2 1.5 mm² PTEMP
- L3 1.5 mm² PTEMP
- N 1.5 mm² PTEMP

TOP ELEMENT PT30
BOTTOM ELEMENT PT 31



HEATING ELEMENT WIRING



BOTTOM MOTOR PT 19
ANTI-CLOCKWISE DIRECTION WHEN
VIEWED FROM FRONT OF OVEN

FAN MOTOR CONNECTIONS

REV	SIG	DATE	REVISION	ECN NO.
			FAN MOTOR CONNECTIONS & HEATING ELEMENT WIRING 10 TRAY OVEN	
<p>MOND EQUIPMENT WELLS WAY SWANSEA WEST IND PARK SWANSEA SA5 4EB. TEL: (01792) 561234 FAX: (01792) 561016</p>			<p>TITLE:</p>	
ELECTRICAL SPECIFICATIONS:-			DRAWN: A.L.W.	ELECTRICALLY APPROVED BY:- P. BOYLES
380/415V 3PH+N 50HZ			DATE: 3/2/00	DRAWING NO. M150E25-03400
			REV:	-

COPYRIGHT © 1998 - THIS DESIGN/DRAWING IS THE PROPERTY OF MOND EQUIPMENT LTD. AND MUST NOT BE REPRODUCED, COPIED, NDR ITS CONTENTS DIVULGED WITHOUT PRIOR WRITTEN PERMISSION.

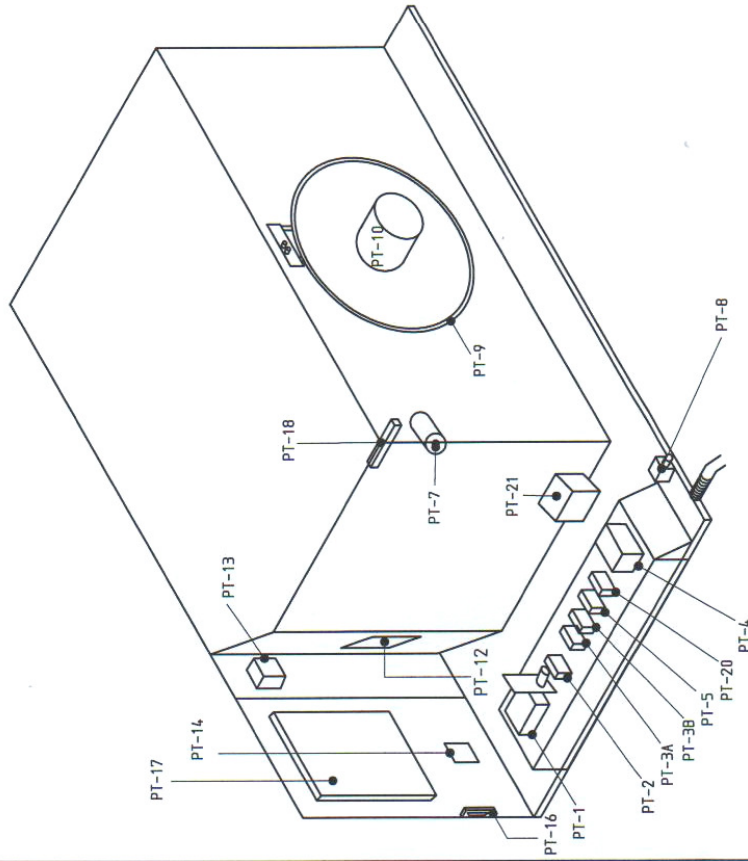
FG156 CLASSIC 2 TRAY

M156E25-13500	COMPONENTS
M156E25-13000	CONTROL AND POWER CIRCUIT
M156E25-13600	PCB OUTPUTS
M156-25-50500	PCB INPUTS
M156-25-50800	PCB CONNECTIONS
M156E25-50200	COMPONENTS (1 PHASE)


FOR ENGINEERS USE ONLY.
DO NOT ATTEMPT ANY ALTERATIONS.
IF IN DOUBT, CONTACT MONO FOR ADVICE

SECTION 2

IF IN ANY DOUBT - ASK

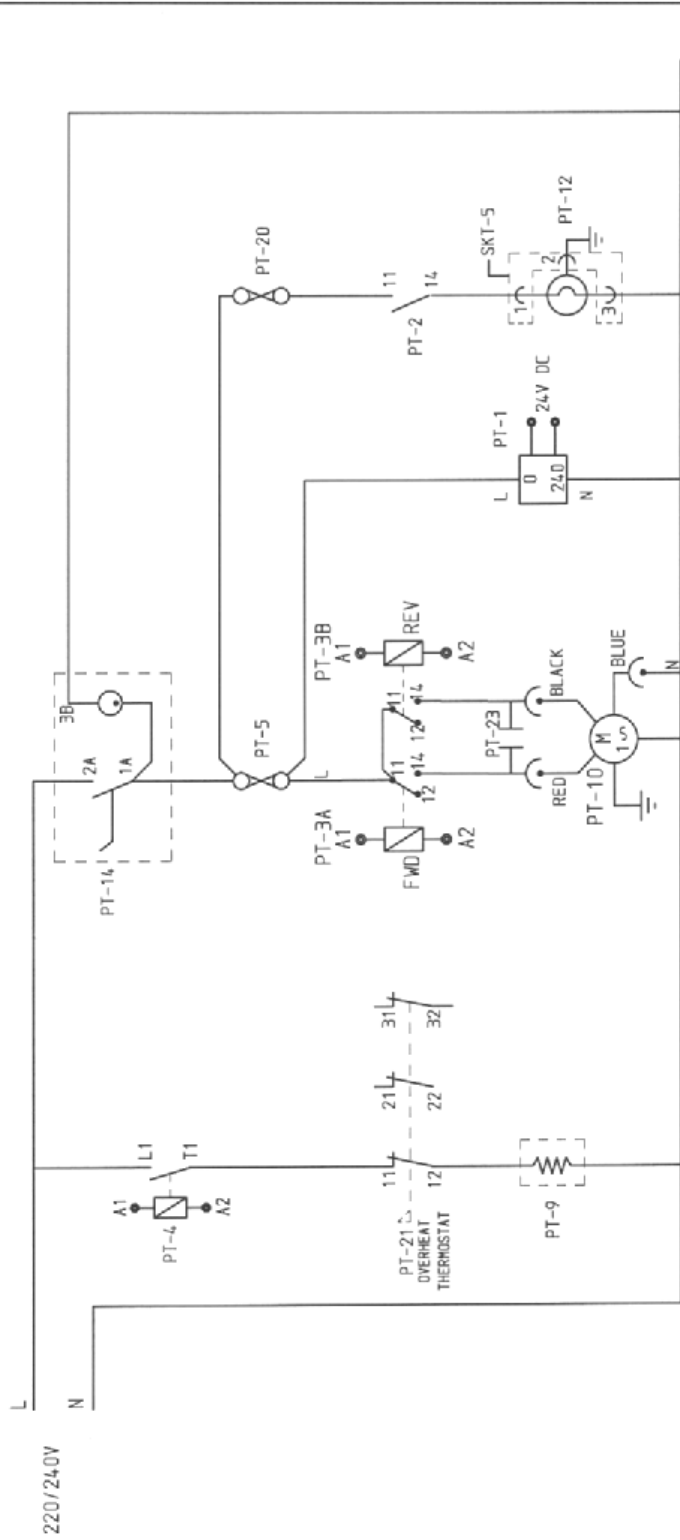


DRAWING PT-Ref	DESCRIPTION	MONO PART NUMBER
PT-1	24V DC POWER SUPPLY	8801-93-005
PT-2	INTERNAL LIGHT RELAY	8723-37-021
PT-3A	FAN MOTOR RELAY	8723-37-021
PT-3B	FAN MOTOR RELAY	8723-37-021
PT-4	HEATING ELEMENT CONTACTOR	3801-08-021
PT-5	CONTROL FUSE	8842-85-039
PT-7	DAMPER SOLENOID	8749-83-003
PT-8	2T WATER INLET ASSY	156-37-004.00
* PT-9	(240V) HEATING ELEMENT	8854-04-117
PT-10	FAN MOTOR	8720-74-004
PT-12a	INTERIOR LIGHT UNIT	8721-67-011
PT-12b	INTERIOR LIGHT BULB (HAL)	8857-94-007
PT-13	DOOR SWITCH	8842-07-023
PT-14	ON/OFF SWITCH	8836-07-004
PT-16	DATA LINK SOCKET LEAD	8705-25-005
PT-17a	PCB ASSEMBLY	8705-97-013
PT-18	OVEN THERMOCOUPLE	8873-95-002
PT-20	INTERIOR LIGHT FUSE	8842-85-042
PT-21	OVERHEAT THERMOSTAT	8888-30-014
PT-23	CAPACITOR	8720-23-003

REV	SIG	DATE	REVISION	ECH NO.
			ELECTRICAL COMPONENTS LAYOUT	
			2 TRAY 1 PHASE CLASSIC	
			TWO-WAY FAN	
 MONO EQUIPMENT QUEENSWAY SWANSEA WEST IND PARK SWANSEA SA6 4EB. TEL: (01792) 561234 FAX: (01792) 561016			TITLE: ELECTRICAL COMPONENTS LAYOUT	
ELECTRICAL SPECIFICATIONS:- 220/240V 1 PHASE			DRAWN: JC/RAC	
			ELECTRICALLY APPROVED BY:-	
			DATE: 70809	
			DRAWING NO. M156E25-13500	
			REV: --	

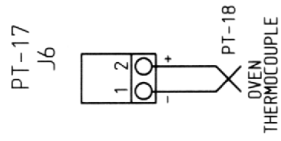
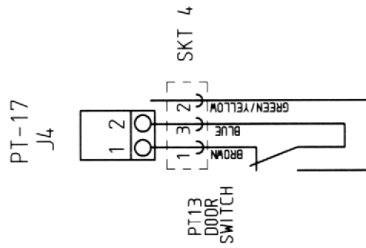
COPYRIGHT © 1998 - THIS DESIGN/DRAWING IS THE PROPERTY OF MONO EQUIPMENT LTD. AND MUST NOT BE REPRODUCED, COPIED, NOR ITS CONTENTS DIVULGED WITHOUT PRIOR WRITTEN PERMISSION.

IF IN ANY DOUBT - ASK



REV	SIG	DATE	REVISION	ECN NO.
<p>MOND EQUIPMENT QUEENSWAY SWANSEA WEST IND PARK SWANSEA, SWS 4REL TEL: (01792) 861254 FAX: (01792) 561016</p>			<p>TITLE: CONTROL & POWER CIRCUIT DIAGRAM FOR 220/240V 1 PHASE 2 TRAY 2 WAY FAN</p>	
<p>ELECTRICAL SPECIFICATIONS:- 220/240V 1 PHASE</p>			<p>DRAWN: ELECTRICALLY APPROVED BY:- RAC A. THOMAS</p>	
<p>COPYRIGHT © 1998 - THIS DESIGN/DRAWING IS THE PROPERTY OF MOND EQUIPMENT LTD. AND MUST NOT BE REPRODUCED, COPIED, NOR ITS CONTENTS DIVULGED WITHOUT PRIOR WRITTEN PERMISSION.</p>			<p>DATE: 28-7-09 DRAWING NO. M156E25-13000 REV: ---</p>	

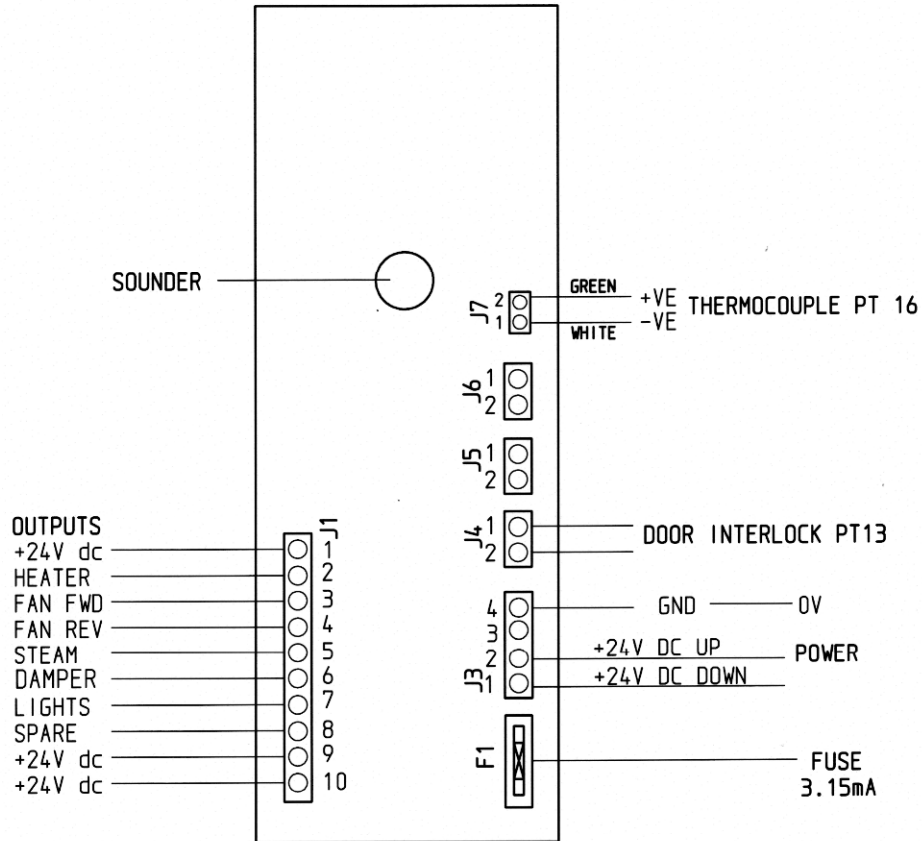
IF IN ANY DOUBT - ASK



REV	SIG	DATE	REVISION	ECN NO.
<p>MOND EQUIPMENT QUEENSWAY SWANSEA WEST IND PARK SWANSEA, SA5 4EB. TEL: (01792) 561234 FAX: (01792) 561016</p>				
<p>ELECTRICAL SPECIFICATIONS:- 220/240V 1 PHASE 380/415 2 PHASE + N</p>			<p>TITLE: P.C.B. INPUTS 2 TRAY 'CLASSIC' L.E.D.</p>	
<p>DRAWN: MT</p>			<p>ELECTRICALLY APPROVED BY:- P. BOYLES</p>	
<p>DATE: 14-1-99</p>			<p>DRAWING NO.: M156-25-50500</p>	<p>REV.: -</p>

COPYRIGHT © 1998 - THIS DESIGN/DRAWING IS THE PROPERTY OF MOND EQUIPMENT LTD. AND MUST NOT BE REPRODUCED, COPIED, NOR ITS CONTENTS DIVULGED WITHOUT PRIOR WRITTEN PERMISSION.

CONTROLLER BOARD AS VIEWED FROM COMPONENT SIDE
 'CLASSIC' OVEN CONTROLLER



D	RAC	4-11-16	PICTORIAL CHANGES. BOARD WAS B705-97-013 NOW B705-97-027	BX-006-16-17
C	JC	24-1-03	DELETE SMALL COOLING FAN (IN CONJUNCTION WITH ECN 1927)	1925
B	JC	22-1-03	ADD WIRING FOR REAR FAN UNIT	1927
A	JC	22-2-01	RE-ARRANGE POWER CIRCUIT WIRES TO PCB	14/19

REV	SIG	DATE	REVISION	ECN NO.
-----	-----	------	----------	---------

MONO EQUIPMENT
 QUEENSWAY
 SWANSEA WEST IND PARK
 SWANSEA.
 SA5 4EB.
 TEL: (01792) 561234
 FAX: (01792) 561016

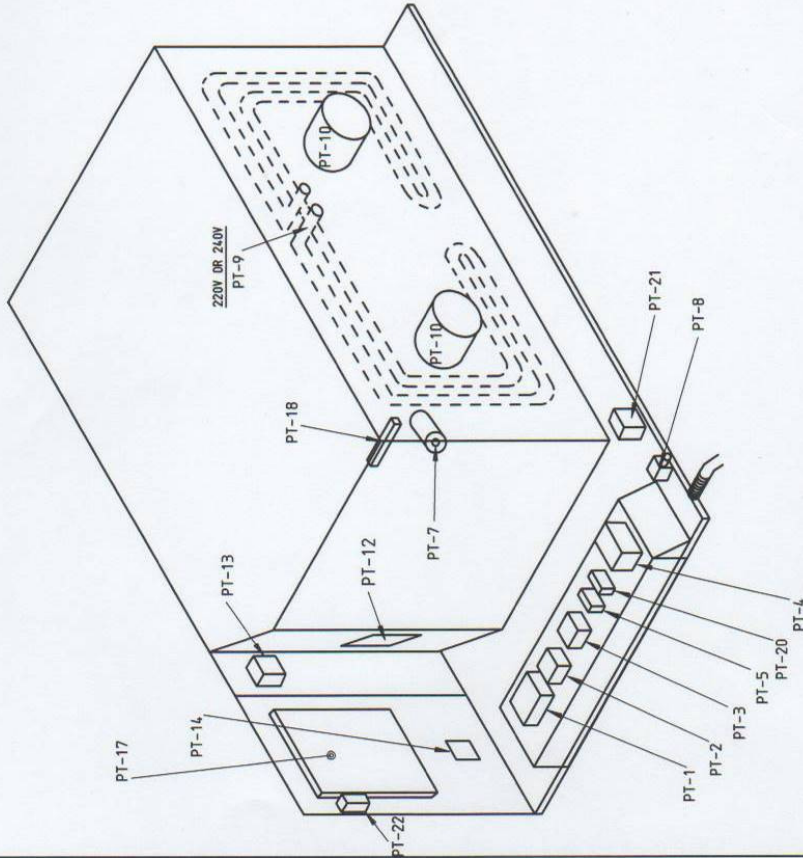
TITLE: MAIN P.C.B. CONNECTIONS
 4 TRAY CLASSIC OVEN

DRAWN: MT
 ELECTRICALLY APPROVED BY:-

ELECTRICAL SPECIFICATIONS:-

DATE: 1-12-98
 DRAWING NO. M158E25-50800
 REV: D

IF IN ANY DOUBT - ASK



DRAWING PT-Ref	DESCRIPTION	MONO PART NUMBER
PT-1	24V DC POWER SUPPLY	B801-93-005
PT-2	INTERNAL LIGHT RELAY	B723-37-001
PT-3	FAN MOTOR RELAY	B723-37-002
PT-4	HEATING ELEMENT CONTACTOR	B801-08-021
PT-5	CONTROL FUSE	B842-85-039
PT-7	DAMPER SOLENOID	B749-83-003
PT-8	WATER INLET ASSY	156-37-00400
* PT-9	HEATING ELEMENT (240V)	B847-04-049
* PT-9	HEATING ELEMENT (220V)	B847-04-053
PT-10	FAN MOTOR	B869-75-016
PT-12a	INTERIOR LIGHT UNIT	B721-67-011
PT-12b	INTERIOR LIGHT BULB	B857-94-007
PT-13	DOOR SWITCH	B842-07-037
PT-14	ON/OFF SWITCH	B836-07-004
PT-17	MAIN L.E.D. P.C.B.	B705-97-013
PT-18	OVEN THERMOCOUPLE	B873-95-002
PT-20	INTERIOR LIGHT FUSE	B842-85-042
PT-21	OVERHEAT THERMOSTAT	B888-30-014
PT-22	FAN	B842-75-002

REV	SIG	DATE	REVISION	ECN NO.
K	JC	02-05-19	PT-13 WAS B842-07-023	IBX-007-18-19
J	RAC	29-03-10	PT-12A WAS B721-67-011, PT-12B WAS B657-94-007	315709
I	JC	29-01-09	PT13 WAS ASSY 154-25-01200 (B801-11-001)	195708
H	JC	30-10-06	PT-7 WAS B749-83-001	2866
G	RAC	20-10-05	Contactors B801 was B859	2573
F	JC	27-7-05	PT-18 WAS B873-95-001	2525
E	JC	11-7-05	PT-8 WAS B994-83-006	2507
D	JC	13-6-05	PT-1a WAS B705-93-006	2483
C	JC	7-4-05	PT-12A WAS B721-67-001	2435
B	JC	22-11-04	PT-14 WAS B842-07-014	2329
A	JC	3-3-99	PT-21 WAS B888-30-013	08/22

<p>MONO EQUIPMENT QUEENSWAY SWANSEA WEST IND PARK SWANSEA, SAS 4EB. TEL: (01782) 561234 FAX: (01782) 561016</p>		<p>TITLE: ELECTRICAL COMPONENTS LAYOUT 2 TRAY 1 PHASE 'CLASSIC'</p>	
<p>ELECTRICAL SPECIFICATIONS:- 220/240V 1 PHASE</p>		<p>DRAWN: MT ELECTRICALLY APPROVED BY:-</p>	
<p>DATE: 14-1-99 DRAWING NO. M156E25-50200</p>		<p>REV: K</p>	

COPYRIGHT © 1998 - THIS DESIGN/DRAWING IS THE PROPERTY OF MONO EQUIPMENT LTD. AND MUST NOT BE REPRODUCED, COPIED, NOR ITS CONTENTS DIVULGED WITHOUT PRIOR WRITTEN PERMISSION.

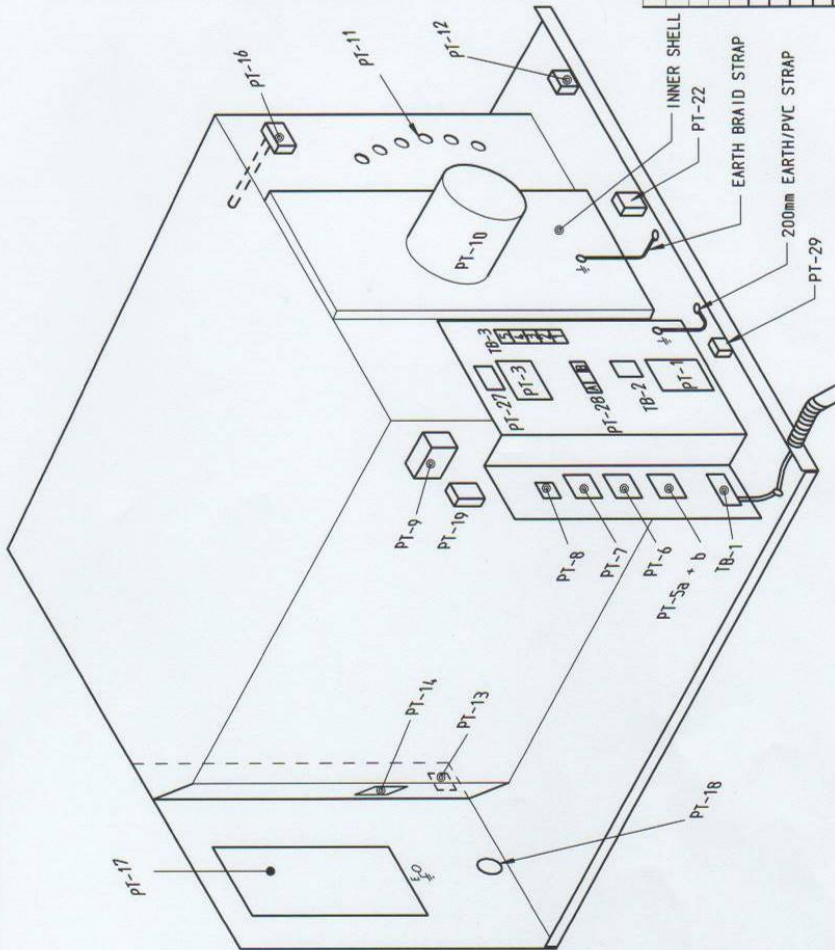
FG153/158/159 CLASSIC 4 TRAY 3 PHASE

M159E25-11300	COMPONENTS (159 ONLY)
M158E25-52000	COMPONENTS (153/158 ONLY)
M158E25-50800	PCB CONNECTIONS
M158E25-50500	PCB INPUTS
M158E25-50100	PCB OUTPUTS
M158E25-20700	CONTROL CIRCUIT
M158E25-01800	POWER CIRCUIT
M158E25-01900	FAN CONNECTIONS AND ELEMENT WIRING

SECTION 3

FOR ENGINEERS USE ONLY.
DO NOT ATTEMPT ANY ALTERATIONS.
IF IN DOUBT, CONTACT MONO FOR ADVICE

IF IN ANY DOUBT - ASK



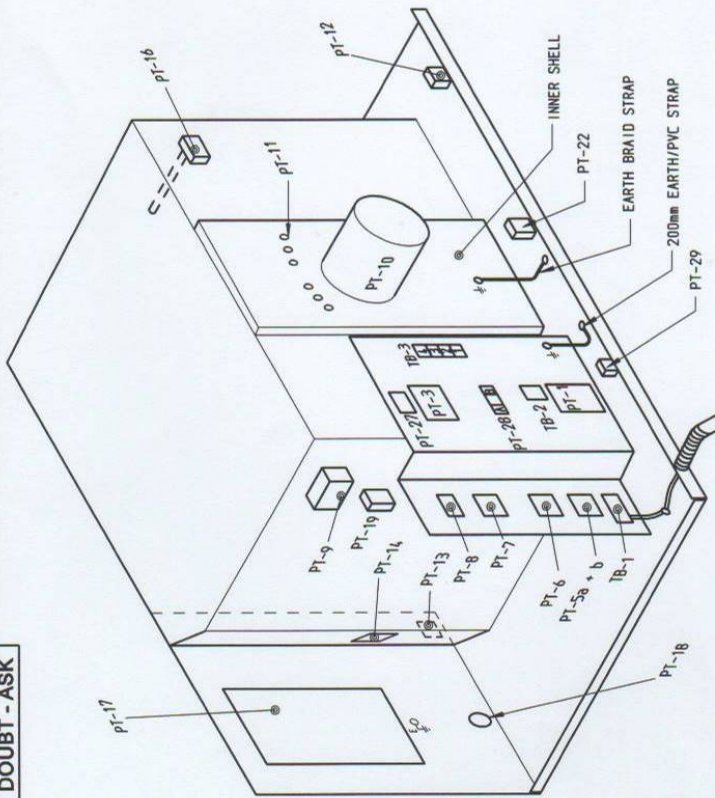
DRAWING PT-Ref	DESCRIPTION	MONO PART NUMBER
PT-1	24V DC POWER SUPPLY UNIT	8801-93-002
PT-3	CONTROL CIRCUIT M.C.B.	8872-22-062
PT-5a	FAN MOTOR OVERLOAD UNIT	8801-03-023
PT-5b	FAN MOTOR OVERLOAD AUXILIARY CONTACT	8801-14-012
PT-6	FAN MOTOR FORWARD CONTACTOR	8801-08-031
PT-7	FAN MOTOR REVERSE CONTACTOR	8801-08-031
PT-8	HEATING ELEMENT CONTACTOR	8801-08-021
PT-9	DAMPER SOLENOID (L/H)	8749-83-003
PT-9	DAMPER SOLENOID (R/H)	8749-83-004
PT-10	FAN MOTOR UNIT	8720-74-005
PT-11	HEATING ELEMENT (240v)	8847-04-068
PT-12	4T WATER INLET ASSY	158-17-00400
PT-13	DOOR SWITCH	8842-07-037
PT-14B	INTERIOR LIGHT BULB	8855-94-009
PT-16	THERMOCOUPLE	8873-95-002
PT-17	MAIN P.C.B.	8705-97-013
PT-18	MAIN ON/OFF SWITCH	8836-07-004
PT-19	REAR COOLING FAN	8849-75-018
PT-22	OVERHEAT THERMOSTAT	8888-30-014
PT-27	FAN FUSE	8842-85-025
PT-28	AUX FUSE	8842-85-039
PT-29	AUX SUPPLY SOCKET	8970-06-001

REV	SIG	DATE	REVISION	ECN NO.
L	JC	02-05-19	PT-13 WAS 8842-07-023	BX-001-18-19
K	JC	27-11-18	PT-10 WAS 8720-74-001	BX-009-17-18
J	RAC	11-11-09	PT2, 25, 14A DELETED PT14B WAS 8857-94-004	195/08
H	JC	29-01-09	PT13 WAS ASSY 154-25-01200 (8801-11-001)	195/08
G	JC	27-03-07	PT28 & 29 ADDED	294/6
F	JC	30-10-06	PT-9 WAS 8749-83-001 & 8749-83-002	2868
E	JC	7-11-05	8801 WAS 8859	2573
D	JC	3-8-05	PT-12 WAS 8994-83-003	2528
C	JC	27-7-05	PT-16 WAS 8873-95-001	2525
B	JC	13-6-05	PT-1 WAS 8705-93-006	2483
A	JC	7-4-05	PT-14A WAS 8721-67-001	2435

MONO EQUIPMENT	REVISION	ECN NO.
QUEENSWAY SWANSEA WEST IND PARK SWANSEA, S4G 4EB.	ELECTRICAL COMPONENTS LAYOUT 4 TRAY 30 X 18 CLASSIC WITH FORWARD & REVERSE FANS	
TEL: (01792) 861234 FAX: (01792) 861016	DRAWN: JC	ELECTRICALLY APPROVED BY:-
ELECTRICAL SPECIFICATIONS:- 380/415v 3PH 50HZ	DATE: 24-02-05	DRAWING NO. M159E25-11300
		REV: L

COPYRIGHT © 1998 - THIS DESIGN/DRAWING IS THE PROPERTY OF MONO EQUIPMENT LTD. AND MUST NOT BE REPRODUCED, COPIED, NOR ITS CONTENTS DIVULGED WITHOUT PRIOR WRITTEN PERMISSION.

IF IN ANY DOUBT - ASK



DRAWING PT-Ref	DESCRIPTION	MONO PART NUMBER
PT-1	24V DC POWER SUPPLY UNIT	8801-93-005
PT-3	CONTROL CIRCUIT M.C.B.	8872-22-062
PT-5a	FAN MOTOR OVERLOAD UNIT	8801-03-023
PT-5b	FAN MOTOR OVERLOAD AUXILIARY CONTACT	8801-14-012
PT-6	FAN MOTOR FORWARD CONTACTOR	8801-08-031
PT-7	FAN MOTOR REVERSE CONTACTOR	8801-08-031
PT-8	HEATING ELEMENT CONTACTOR	8801-08-021
PT-9	DAMPER SOLENOID (L/H)	8749-83-003
PT-10	DAMPER SOLENOID (R/H)	8749-83-004
PT-11	FAN MOTOR UNIT	8728-74-005
* PT-11	HEATING ELEMENT (240v)	8847-04-067
* PT-11	HEATING ELEMENT (220v)	8847-04-074
PT-12	4T WATER INLET ASSY	158-17-00400
PT-13	DOOR SWITCH	8842-07-037
PT-14B	INTERIOR LIGHT BULB	8859-94-009
PT-16	THERMOCOUPLE	8873-95-002
PT-17	MAIN P.C.B.	8705-97-013
PT-18	MAIN ON/OFF SWITCH	8836-07-004
PT-19	REAR COOLING FAN	8869-75-018
PT-22	OVERHEAT THERMOSTAT	8888-30-014
PT-27	FAN FUSE	8842-85-025
PT-28	AUX FUSE	8842-85-039
PT-29	AUX SUPPLY SOCKET	8970-06-001

REV	SIG	DATE	REVISION	ECN NO.
BX	001-18-19			
BX	009-17-18			
		315/09		
		195/08		
		2946		
		2868		
		2573		
		2528		
		2525		
		2483		
		2435		
		2329		
		2318		
		1925		
		1927		

MONO EQUIPMENT
 QUEENSWAY
 SWANSEA WEST IND PARK
 SWANSEA
 SA6 4EB.
 TEL: (01782) 961234
 FAX: (01782) 961016

MONO

TITLE:
 ELECTRICAL COMPONENTS LAYOUT
 60 X 40 'CLASSIC' 4 TRAY OVEN
 WITH RING ELEMENTS

REVISION

ECN NO.

ELECTRICAL SPECIFICATIONS:-
 380/415v 3PH 50Hz

DRAWN: MT/JC
ELECTRICALLY APPROVED BY:-

DATE: 26-11-98
DRAWING NO. M158E25-52000
REV: P

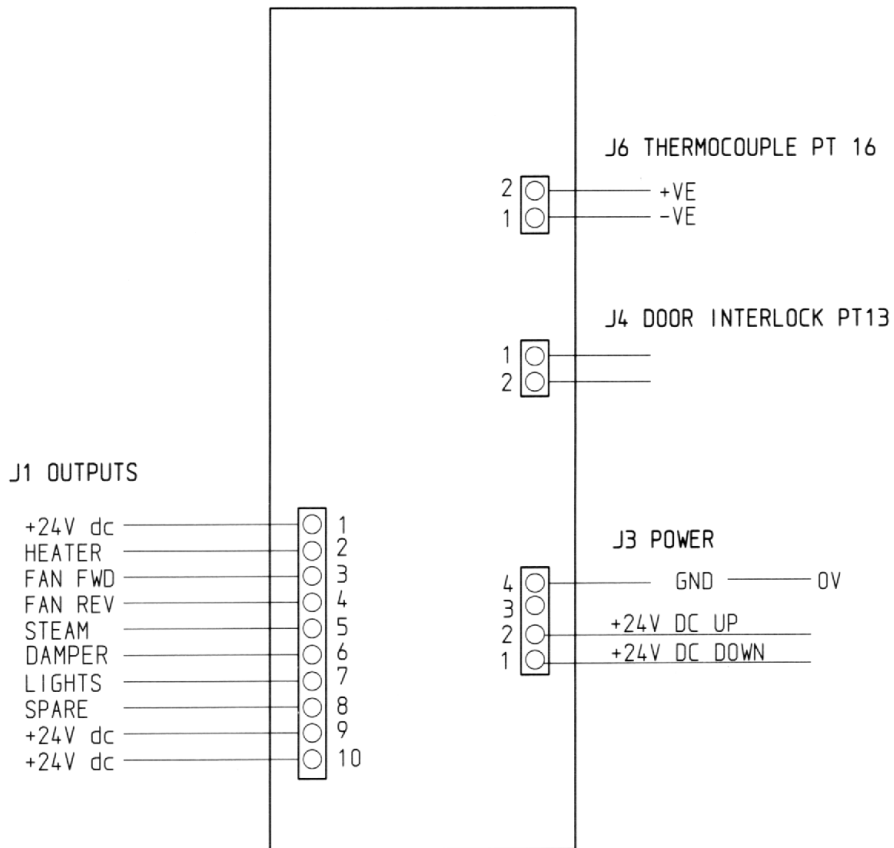
REVISION


DATE

ECN NO.

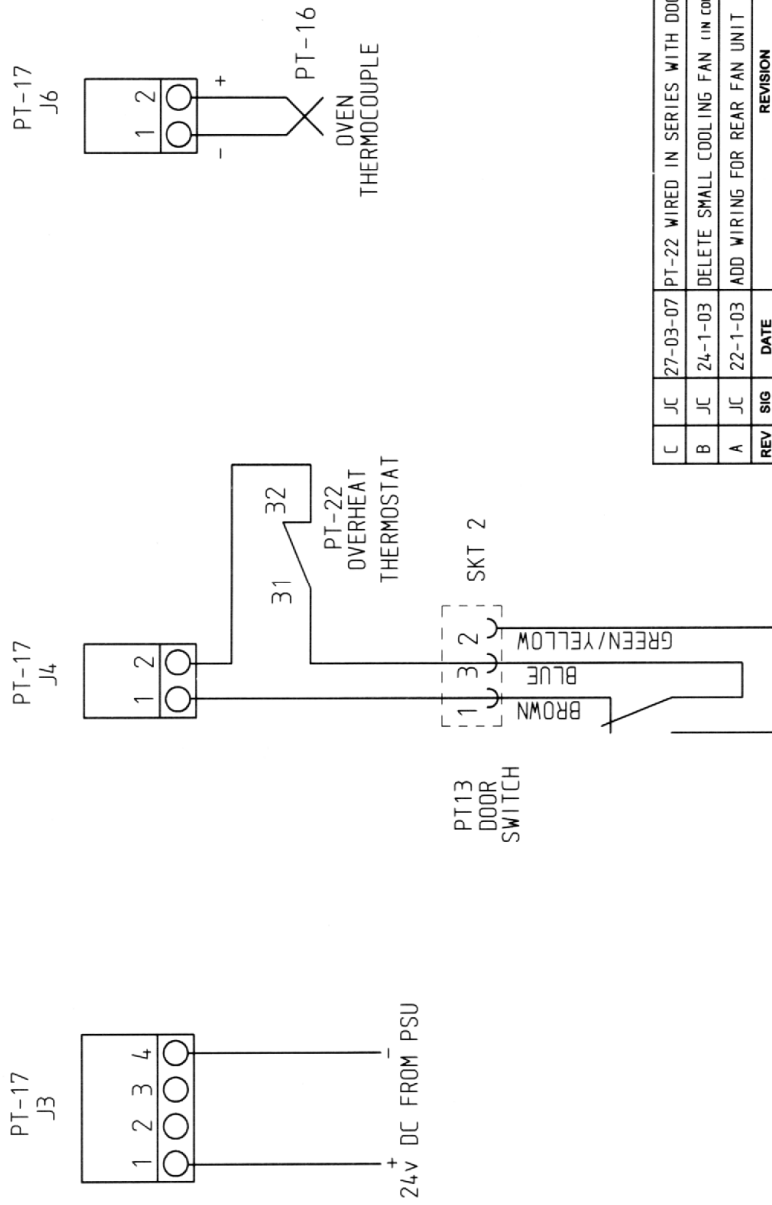
COPYRIGHT © 1998 - THIS DESIGN/DRAWING IS THE PROPERTY OF MONO EQUIPMENT LTD. AND MUST NOT BE REPRODUCED, COPIED, NOR ITS CONTENTS DIVULGED WITHOUT PRIOR WRITTEN PERMISSION.

CONTROLLER BOARD AS VIEWED FROM COMPONENT SIDE
 MONO 'CLASSIC' OVEN CONTROLLER



C	JC	24-1-03	DELETE SMALL COOLING FAN (IN CONJUNCTION WITH ECN 1927)	1925
B	JC	22-1-03	ADD WIRING FOR REAR FAN UNIT	1927
A	JC	22-2-01	RE-ARRANGE POWER CIRCUIT WIRES TO PCB	14/19
REV	SIG	DATE	REVISION	ECN NO.
 MONO EQUIPMENT QUEENSWAY SWANSEA WEST IND PARK SWANSEA. SA5 4EB. TEL: (01792) 561234 FAX: (01792) 561016			TITLE: MAIN P.C.B. CONNECTIONS 4 TRAY CLASSIC OVEN	
ELECTRICAL SPECIFICATIONS:-			DRAWN: MT	ELECTRICALLY APPROVED BY:- P. BOYLES
			DATE: 1-12-98	DRAWING NO. M158E25-50800 REV: C

IF IN ANY DOUBT - ASK



REV	SIG	DATE	DESCRIPTION	ECN NO.
C	JC	27-03-07	PT-22 WIRED IN SERIES WITH DOOR SWITCH(PT-13)	2946
B	JC	24-1-03	DELETE SMALL COOLING FAN IN CONJUNCTION WITH ECN 1925	1925
A	JC	22-1-03	ADD WIRING FOR REAR FAN UNIT	1927

MOND EQUIPMENT
 QUEENSWAY
 SWANSEA WEST IND PARK
 SWANSEA,
 SA6 4EB.
 TEL: (01792) 561234
 FAX: (01792) 561016

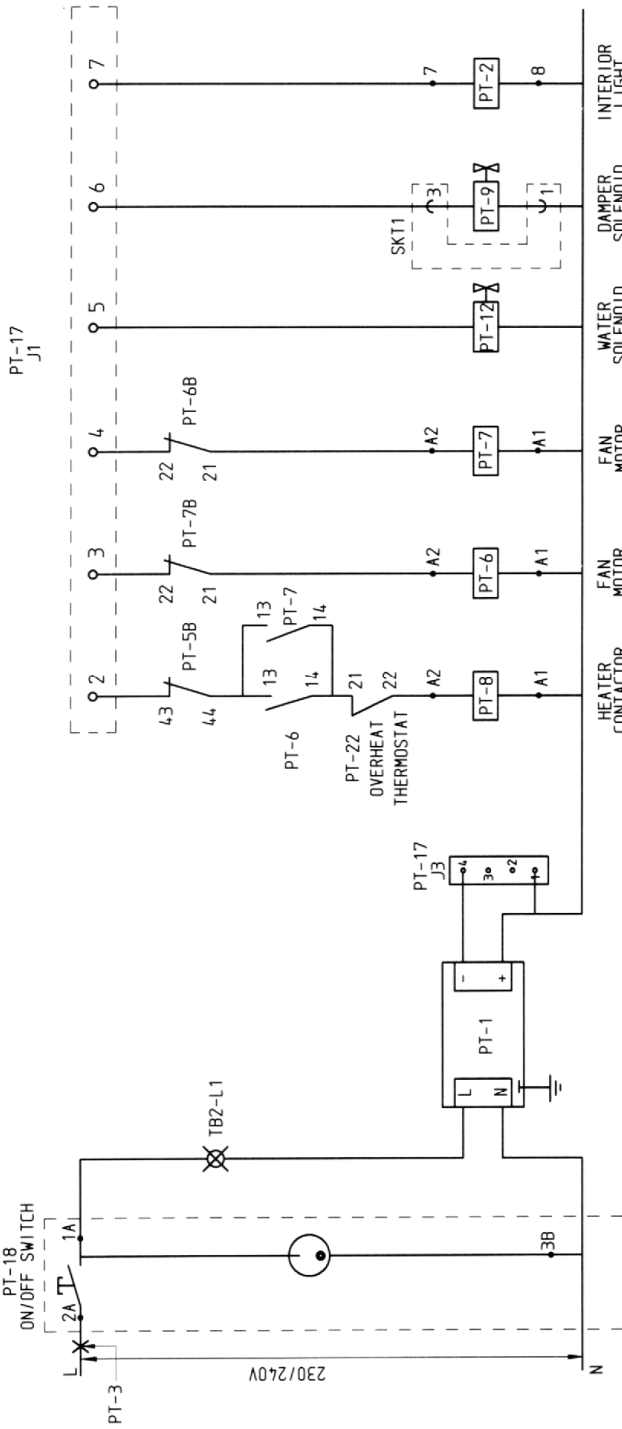
TITLE:
 P.C.B. INPUTS
 4 TRAY CLASSIC OVEN

DRAWN: MT
ELECTRICALLY APPROVED BY:-
 P. BOYLES

DATE: 26-11-98
DRAWING NO. M158E25-50500
REV: C

COPYRIGHT © 1998 - THIS DESIGN/DRAWING IS THE PROPERTY OF MOND EQUIPMENT LTD. AND MUST NOT BE REPRODUCED, COPIED, NOR ITS CONTENTS DIVULGED WITHOUT PRIOR WRITTEN PERMISSION.

IF IN ANY DOUBT - ASK



REV	SIG	DATE	REVISION	ECN NO.
F	JC	27-03-07	PT-22 WIRING CHANGED	2946
E	JC	7-11-05	A1 AND A2 CHANGED AROUND	2573
D	JC	22-11-04	PT-18 WAS B869-75-023	2318
C	JC	26-9-03	PT18 WIRED IN CONJUNCTION WITH ECN 2055-2057	2058
B	JC	24-1-03	DELETE SMALL COOLING FAN (IN CONJUNCTION WITH ECN 1927)	1925
A	JC	22-1-03	ADD WIRING FOR REAR FAN UNIT	1927

MONO EQUIPMENT
 QUEENSWAY
 SWANSEA WEST IND PARK
 SWANSEA, SA5 4EB
 SA5 4EB
 TEL: (01792) 561234
 FAX: (01792) 561016

TITLE:
 P.C.B. OUTPUTS
 4 TRAY CLASSIC L.E.D. OVEN

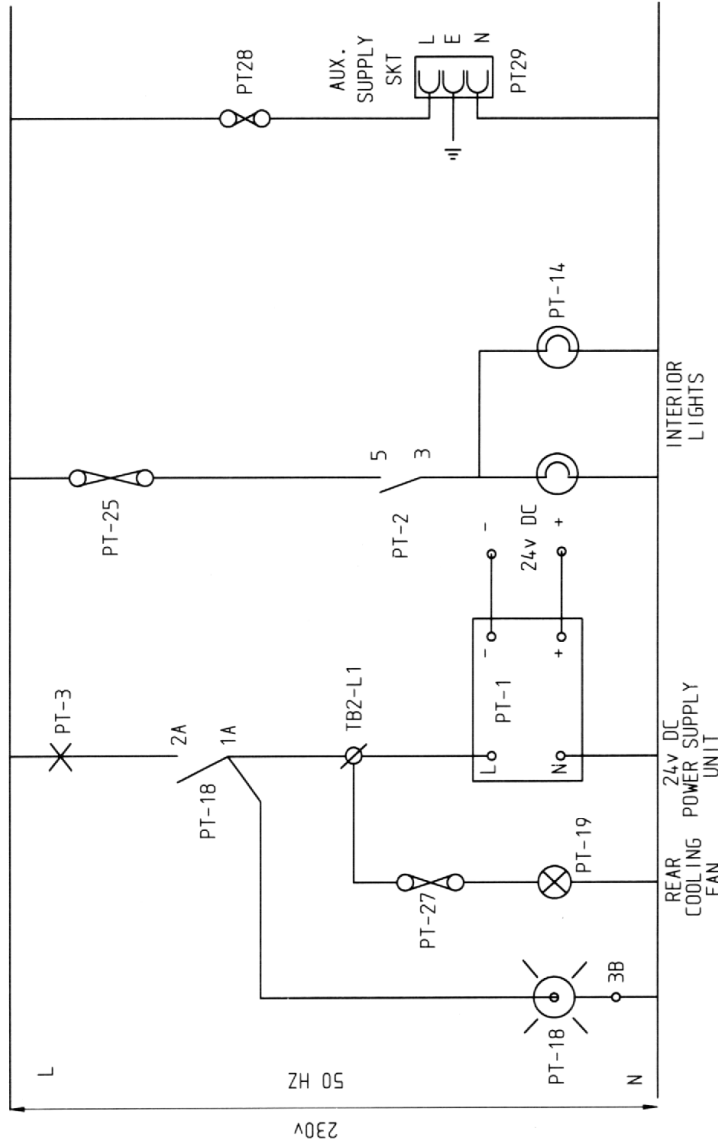
ELECTRICAL SPECIFICATIONS:-
 380/415V 3 PHASE 50HZ

DRAWN: MT
ELECTRICALLY APPROVED BY:-
 P. BOYLES

DATE: 26-11-98
DRAWING NO. MT58E25-50100
REV: F

COPYRIGHT © 1998 - THIS DESIGN/DRAWING IS THE PROPERTY OF MONO EQUIPMENT LTD. AND MUST NOT BE REPRODUCED, COPIED, NOR ITS CONTENTS DIVULGED WITHOUT PRIOR WRITTEN PERMISSION.

IF IN ANY DOUBT - ASK

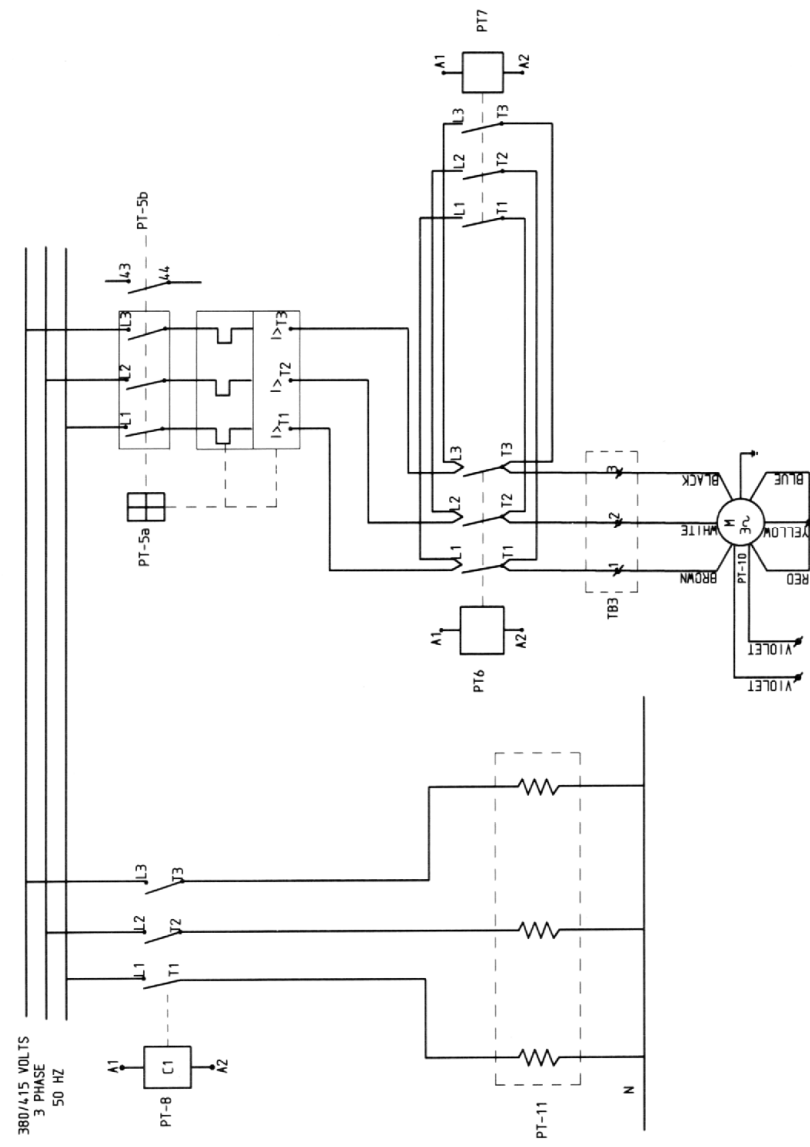


REV	SIG	DATE	REVISION	ECN NO.
D	JC	27-03-07	PT-28 & 29 ADDED	2946
C	JC	22-11-04	PT-18 CHANGED	2329
B	JC	25-9-03	SWITCH (PT-18) CHANGED	2057
A	JC	22-1-03	ADD WIRING FOR REAR FAN UNIT	1927

TITLE:	DRAWN:	ELECTRICALLY APPROVED BY:-
MONO EQUIPMENT QUEENSWAY SWANSEA WEST IND PARK SWANSEA SA5 4EB. TEL: (01792) 561234 FAX: (01792) 561018	JC	P. BOYLES
DATE: 14/12/01	DRAWING NO. M158E25-20700	REV: D

COPYRIGHT © 1998 - THIS DESIGN/DRAWING IS THE PROPERTY OF MONO EQUIPMENT LTD. AND MUST NOT BE REPRODUCED, COPIED, NOR ITS CONTENTS DIVULGED, WITHOUT PRIOR WRITTEN PERMISSION.

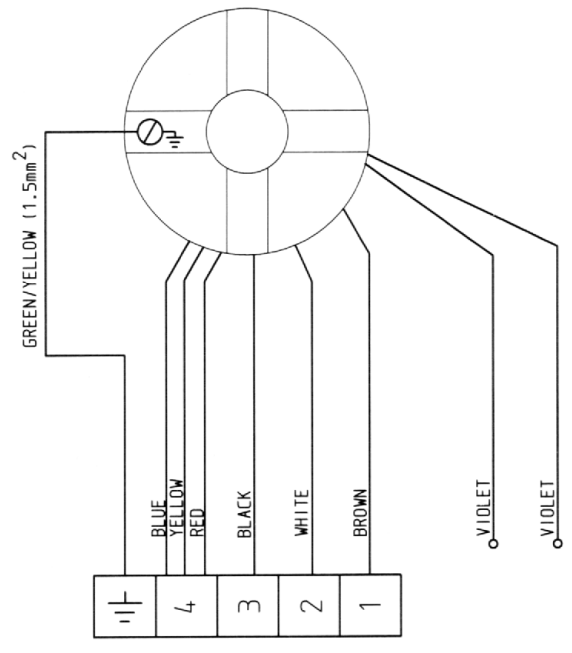
IF IN ANY DOUBT - ASK



REV	SIG	DATE	REVISION	ECN NO.
A	JC	27-03-07	PT-22 REMOVED	2946
<p>MONO EQUIPMENT QUEENSWAY SWANSEA WEST IND PARK SWANSEA, SA5 4EB. TEL: (01792) 561034 FAX: (01792) 561016</p>				
ELECTRICAL SPECIFICATIONS:-			TITLE: POWER CIRCUIT DIAGRAM 4 TRAY OVEN	
DRAWN: MT			ELECTRICALLY APPROVED BY:- P. BOYLES	
DATE: 29-6-99			DRAWING NO. M158E25-01800	
			REV: A	

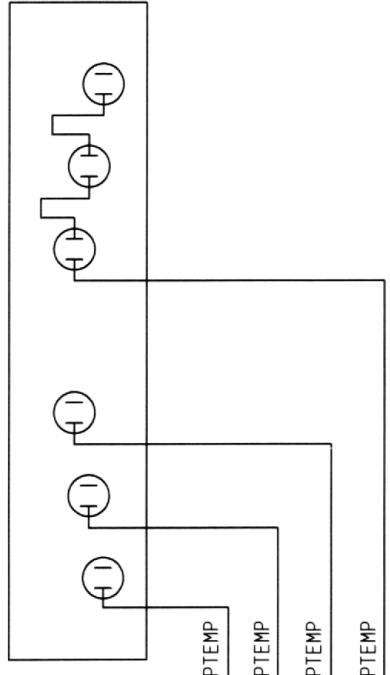
COPYRIGHT © 1998 - THIS DESIGN/DRAWING IS THE PROPERTY OF MONO EQUIPMENT LTD. AND MUST NOT BE REPRODUCED, COPIED, NOR ITS CONTENTS DIVULGED WITHOUT PRIOR WRITTEN PERMISSION.

IF IN ANY DOUBT - ASK



FAN MOTOR CONNECTIONS

PT11



HEATING ELEMENT WIRING

REV	SIG	DATE	REVISION	ECN NO.
			FAN MOTOR CONNECTIONS & HEATING ELEMENT WIRING (RING ELEMENT TYPE)	
 MONO EQUIPMENT QUEENSWAY SWANSEA WEST IND PARK W.A.B.E.A. S.A.S. 4EB.			DRAWN: MT ELECTRICALLY APPROVED BY: P. BOYLES	
TEL: (01782) 581234 FAX: (01782) 581016			DATE: 29-6-99 DRAWING NO: M158-25-01900	
ELECTRICAL SPECIFICATIONS:- 380/415V 3PH 50HZ			REV: -	

COPYRIGHT © 1998 - THIS DESIGN/DRAWING IS THE PROPERTY OF MONO EQUIPMENT LTD. AND MUST NOT BE REPRODUCED, COPIED, NOR ITS CONTENTS DIVULGED WITHOUT PRIOR WRITTEN PERMISSION.

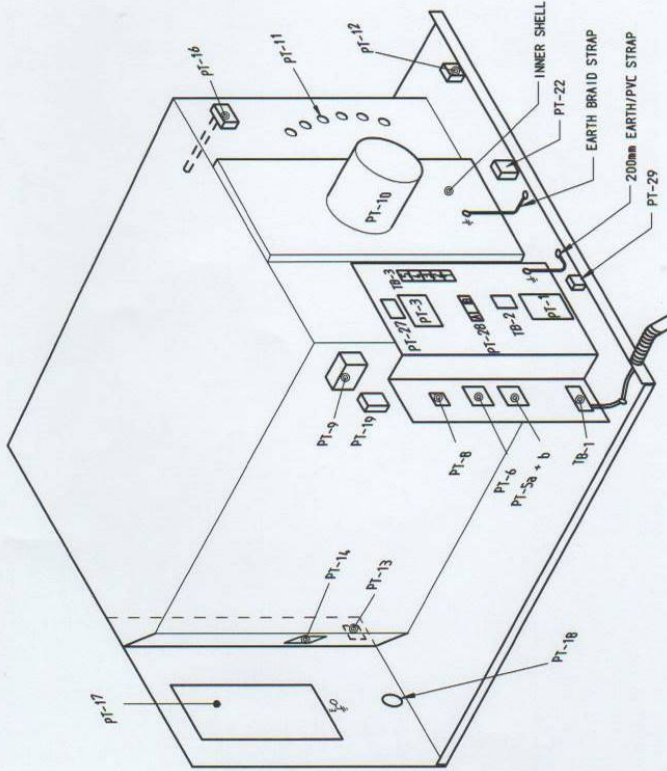
FG153/158/159 CLASSIC 4 TRAY 1 PHASE

M158E25-51200	COMPONENTS (153/158 ONLY)
M159E25-11200	COMPONENTS (159 ONLY)
M158E25-51400	PCB OUTPUTS
M158-25-51500	PCB CONNECTIONS
M158E25-50500	PCB INPUTS
M158E25-20700	CONTROL CIRCUIT
M158E25-51300	POWER CIRCUIT
M158E25-52200	FAN CONNECTIONS AND ELEMENT WIRING

FOR ENGINEERS USE ONLY.
DO NOT ATTEMPT ANY ALTERATIONS.
IF IN DOUBT, CONTACT MONO FOR ADVICE

SECTION 4

IF IN ANY DOUBT - ASK

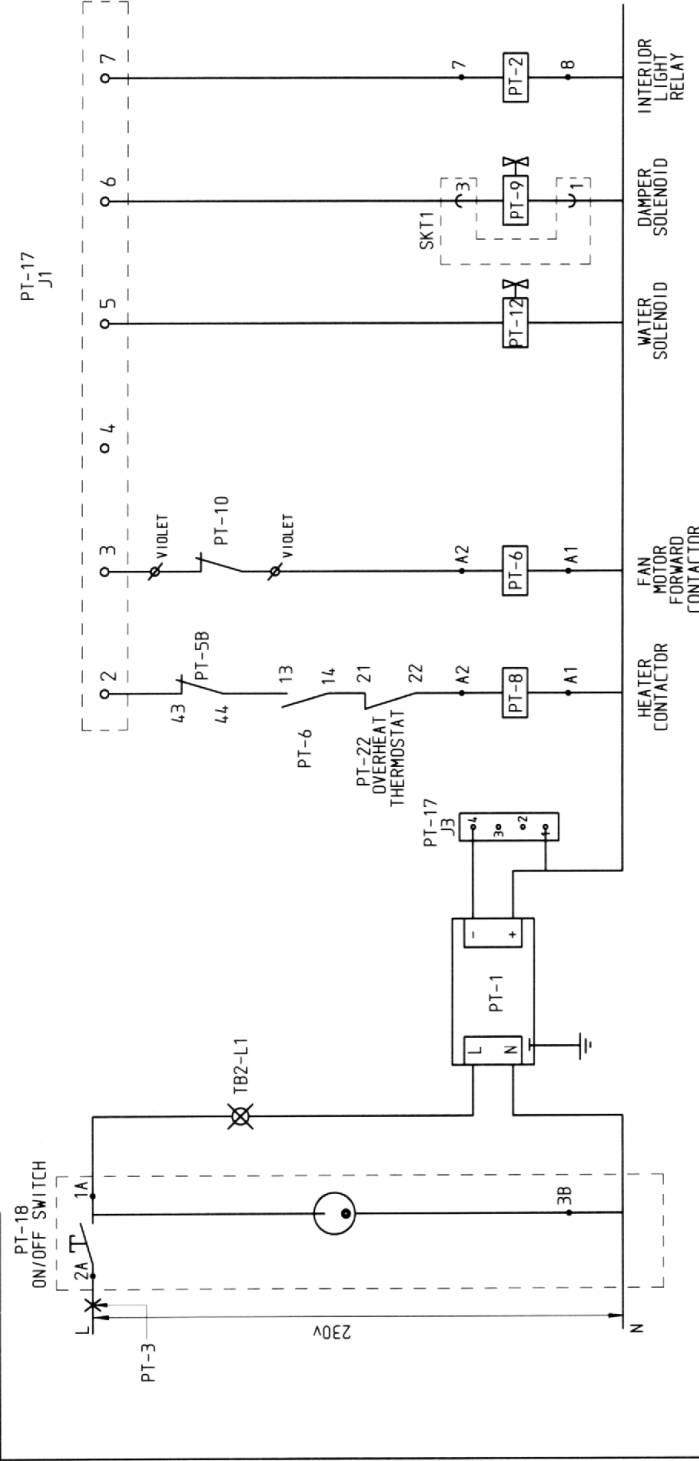


DRAWING PT-Ref	DESCRIPTION	MONO PART NUMBER
PT-1	24V DC POWER SUPPLY UNIT	B801-93-005
PT-3	CONTROL CIRCUIT M.C.B.	B872-22-062
PT-5a	FAN MOTOR OVERLOAD UNIT	B801-03-023
PT-5b	FAN MOTOR OVERLOAD AUXILIARY CONTACT	B801-14-012
PT-6	FAN MOTOR FORWARD CONTACTOR	B801-08-031
PT-8	HEATING ELEMENT CONTACTOR	B801-08-021
PT-9	DAMPER SOLENOID (L/H)	B749-83-004
PT-10	FAN MOTOR UNIT	B720-74-005
PT-11	HEATING ELEMENT	B847-04-068
PT-12	4T WATER INLET ASSY	158-17-00400
PT-13	DOOR SWITCH	B842-07-037
PT-14B	INTERIOR LIGHT BULB	B855-94-009
PT-16	THERMOCOUPLE	B873-95-002
PT-17	MAIN P.C.B.	B705-97-013
PT-18	MAIN ON/OFF SWITCH	B836-07-004
PT-19	REAR COOLING FAN	B869-75-018
PT-22	OVERHEAT THERMOSTAT	B888-30-014
PT-26	FAN MOTOR CAPACITOR	B720-23-001
PT-27	FAN FUSE	B842-85-025
PT-28	AUX FUSE	B842-85-039
PT-29	AUX SUPPLY SOCKET	B970-06-001

REV	SIG	DATE	REVISION	ECN NO.
L	JC	02-05-19	PT-13 WAS B842-07-023	BX-001-18-19
K	JC	27-11-18	PT-10 WAS B720-74-001	BX-009-17-18
J	RAC	18-11-09	PT2, 14A, 25 DELETED. PT14B WAS B857-94-004	
H	JC	29-01-09	PT13 WAS ASSY 154-25-01200 (B801-11-001)	
G	JC	27-03-07	PT-28 & 29 ADDED	
F	JC	30-10-06	PT-9 WAS B749-83-001 & B749-83-002	
E	RAC	1-11-05	B801- was B859-	
D	JC	3-8-05	PT-12 WAS B994-83-003	
C	JC	27-7-05	PT-16 WAS B873-95-001	
B	JC	13-6-05	PT-1 WAS B705-93-006	
A	JC	7-4-05	PT-14A WAS B721-67-001	
REVISION				ECN NO.
REV. SIG. DATE				
COPYRIGHT © 1998 - THIS DESIGN/DRAWING IS THE PROPERTY OF MONO EQUIPMENT LTD. AND MUST NOT BE REPRODUCED, COPIED, NOR ITS CONTENTS DIVULGED WITHOUT PRIOR WRITTEN PERMISSION.				

REV	SIG	DATE	REVISION	ECN NO.
MONO EQUIPMENT QUEENSWAY SWANSEA WEST IND PARK SWANSEA, S46 4EB. TEL: (01792) 861234 FAX: (01792) 961016			TITLE: ELECTRICAL COMPONENTS LAYOUT 4 TRAY 30 X 18 CLASSIC, ONE WAY FAN ROTATING OVEN WITH STANDARD FAN IMPELLER	
ELECTRICAL SPECIFICATIONS:- 230V 1PH 50Hz			DRAWN: JC	ELECTRICALLY APPROVED BY:-
			DATE: 6-12-04	DRAWING NO. M159E25-11200
				REV: L

IF IN ANY DOUBT - ASK



REV	SIG	DATE	REVISION	ECN NO.
F	JC	27-03-07	PT-22 WIRING CHANGED	2946
E	RAC	1-11-05	A1 A2 reversed	2573
D	JC	22-11-04	PT-18 WAS B842-07-014	2329
C	JC	26-9-03	PT18 WIRED IN CONJUNCTION WITH ECN 2055-2057	2058
B	JC	24-1-03	DELETE SMALL COOLING FAN (IN CONJUNCTION WITH ECN 1927)	1925
A	JC	22-1-03	ADD WIRING FOR REAR FAN UNIT	1927

MONO EQUIPMENT
 QUEENSWAY
 SWANSEA WEST IND PARK
 SWANSEA,
 SA5 4EB
 TEL: (01792) 381234
 FAX: (01792) 381016

TITLE: P.C.B. OUTPUTS
 4 TRAY CLASSIC
 ONE WAY FAN ROTATING OVEN
 WITH STANDARD FAN IMPELLER

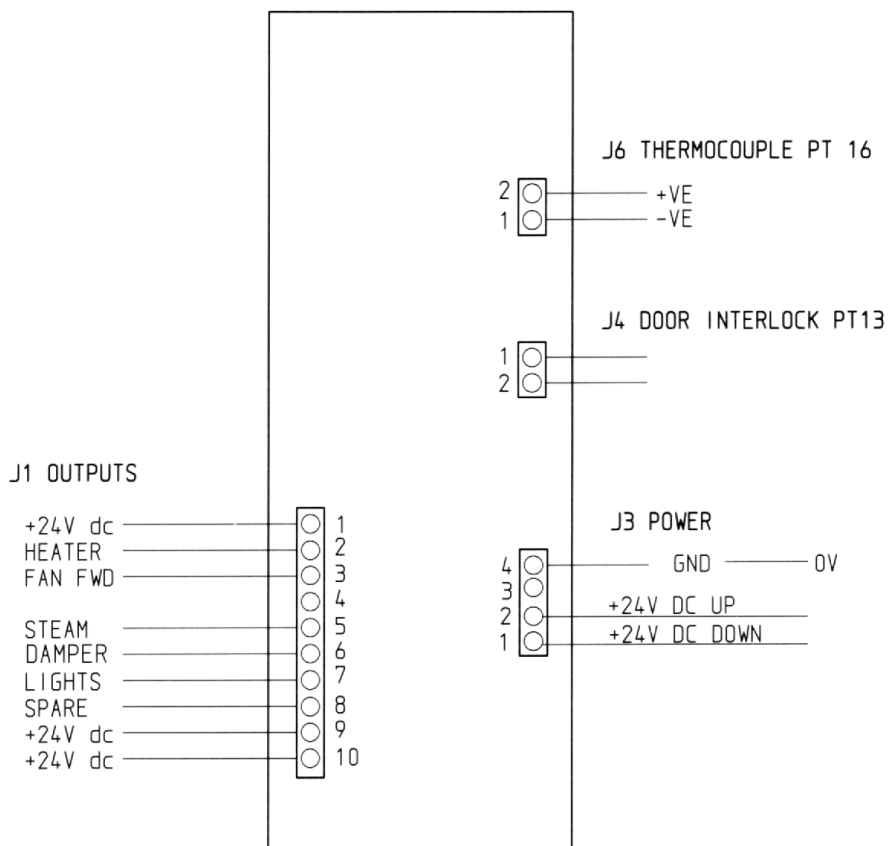
ELECTRICAL SPECIFICATIONS:-
 230V 1PH 50HZ


DRAWN: MT/JC
ELECTRICALLY APPROVED BY:-
 P. BOYLES

DATE: 12-7-99
DRAWING NO: M58E25-514.00
REV: F

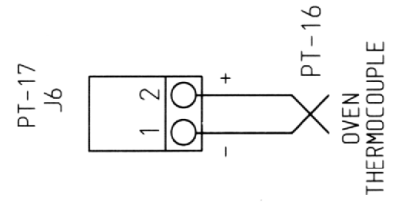
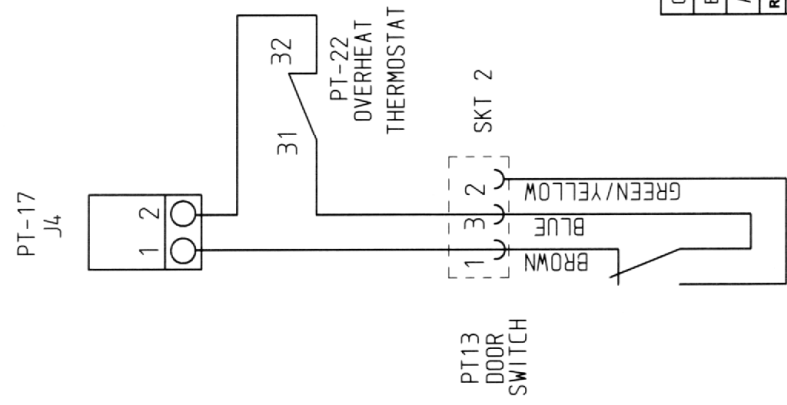
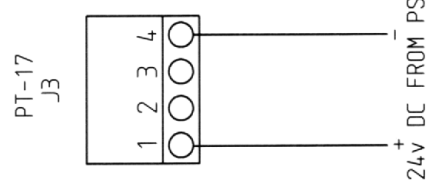
COPYRIGHT © 1998 - THIS DESIGN/DRAWING IS THE PROPERTY OF MONO EQUIPMENT LTD. AND MUST NOT BE REPRODUCED, COPIED, NOR ITS CONTENTS DIVULGED WITHOUT PRIOR WRITTEN PERMISSION.

CONTROLLER BOARD AS VIEWED FROM COMPONENT SIDE
 MONO 'CLASSIC' OVEN CONTROLLER



C	JC	24-1-03	DELETE SMALL COOLING FAN (IN CONJUNCTION WITH ECN 1927)	1925
B	JC	22-1-03	ADD WIRING FOR REAR FAN UNIT	1927
A	JC	22-2-01	RE-ARRANGE POWER CIRCUIT WIRES TO PCB	14/19
REV	SIG	DATE	REVISION	ECN NO.
 MONO EQUIPMENT QUEENSWAY SWANSEA WEST IND PARK SWANSEA. SA5 4EB. TEL: (01792) 561234 FAX: (01792) 561016			TITLE: MAIN P.C.B. CONNECTIONS 4 TRAY CLASSIC ONE WAY FAN ROTATION OVEN WITH STANDARD FAN IMPELLER	
ELECTRICAL SPECIFICATIONS:-			DRAWN: MT/JC	ELECTRICALLY APPROVED BY:- P. BOYLES
			DATE: 12-7-99	DRAWING NO. M158-25-51500

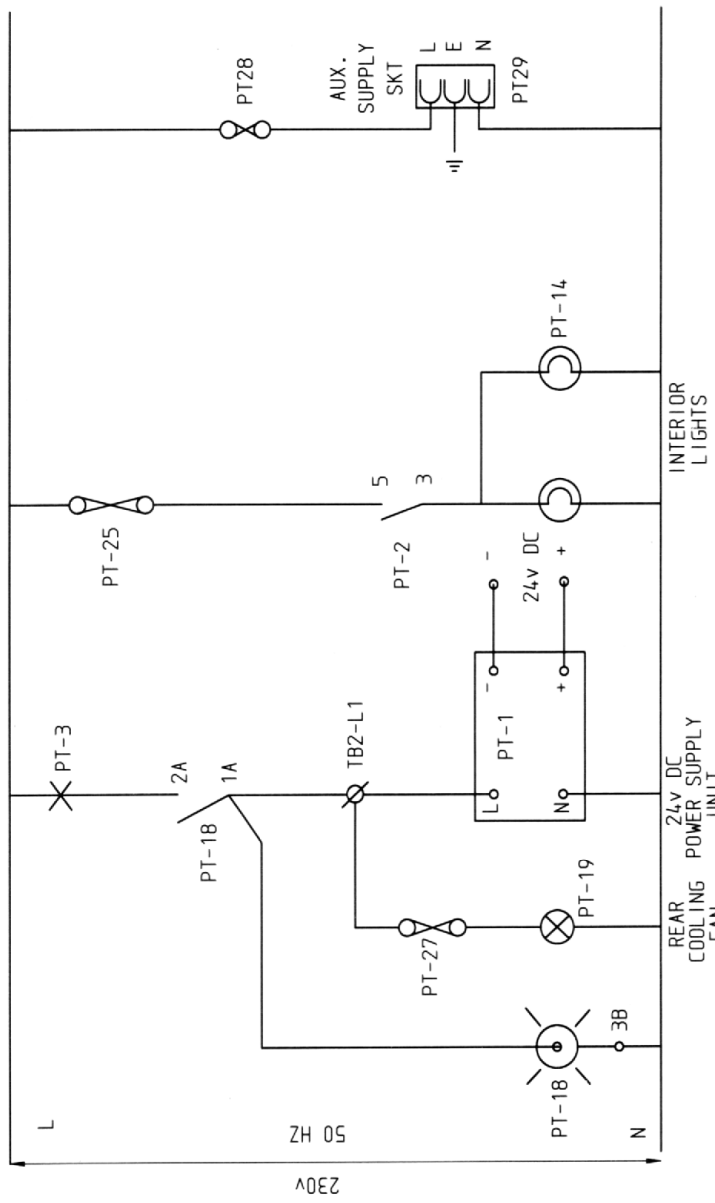
IF IN ANY DOUBT - ASK



C	JC	27-03-07	PT-22 WIRED IN SERIES WITH DOOR SWITCH(PT-13)	2946
B	JC	24-1-03	DELETE SMALL COOLING FAN (IN CONJUNCTION WITH ECN 1927)	1925
A	JC	22-1-03	ADD WIRING FOR REAR FAN UNIT	1927
REV	SIG	DATE	REVISION	ECN NO.
<p>MOND EQUIPMENT QUEENSWAY SWANSEA WEST IND PARK SWANSEA SA5 4EB. TEL: (01792) 561234 FAX: (01792) 561016</p>				
<p>MOND EQUIPMENT QUEENSWAY SWANSEA WEST IND PARK SWANSEA SA5 4EB. TEL: (01792) 561234 FAX: (01792) 561016</p>				
<p>TITLE: P.C.B. INPUTS 4 TRAY CLASSIC OVEN</p>				
<p>ELECTRICAL SPECIFICATIONS:-</p>				
<p>DRAWN: MT ELECTRICALLY APPROVED BY:- P. BOYLES</p>				
<p>DATE: 26-11-98 DRAWING NO. M158E25-50500</p>				
<p>REV: C</p>				

COPYRIGHT © 1998 - THIS DESIGN/DRAWING IS THE PROPERTY OF MOND EQUIPMENT LTD. AND MUST NOT BE REPRODUCED, COPIED, NOR ITS CONTENTS DIVULGED WITHOUT PRIOR WRITTEN PERMISSION.

IF IN ANY DOUBT - ASK

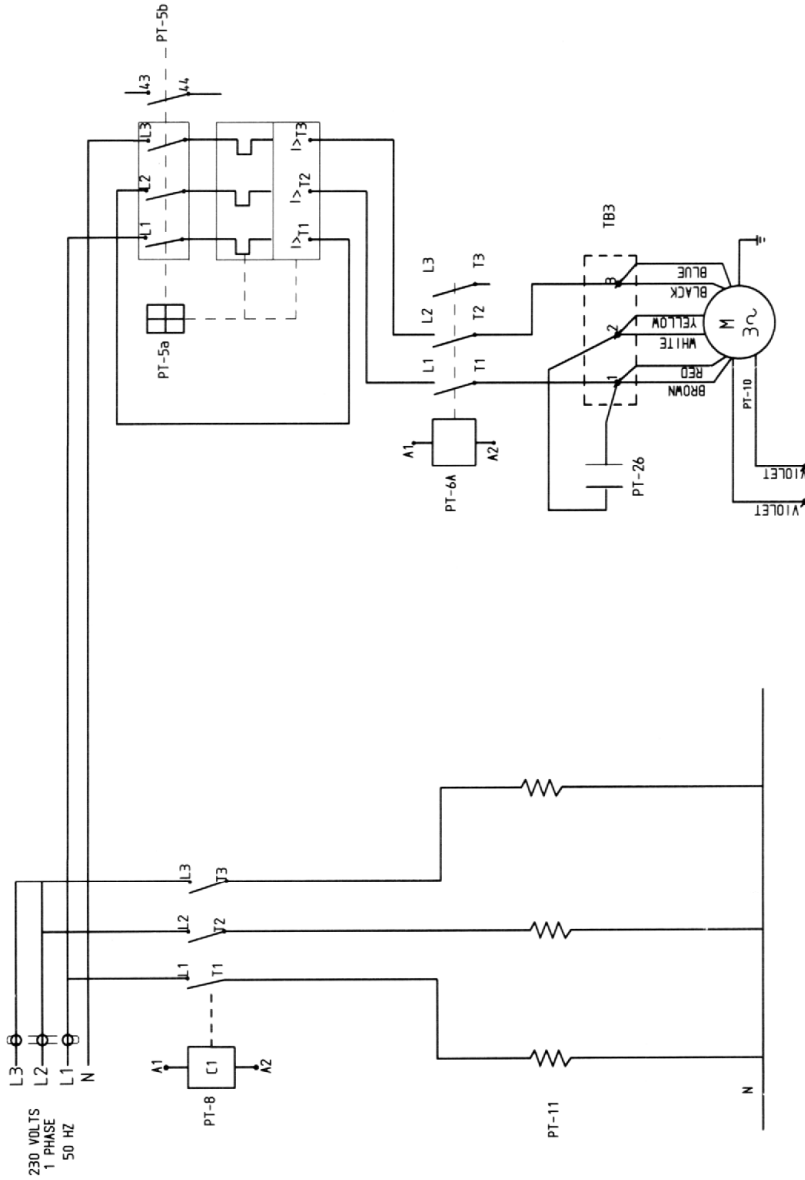


REV	SIG	DATE	REVISION	ECN NO.
D	JC	27-03-07	PT-28 & 29 ADDED	2946
C	JC	22-11-04	PT-18 CHANGED	2329
B	JC	25-9-03	SWITCH (PT-18) CHANGED	2057
A	JC	22-1-03	ADD WIRING FOR REAR FAN UNIT	1927

MONO EQUIPMENT QUEENSWAY SWANSEA WEST IND PARK SWANSEA SA5 4EB TEL: (01792) 561034 FAX: (01792) 561016		TITLE: BX 4 TRAY OVEN CONTROL CIRCUIT
ELECTRICAL SPECIFICATIONS:-		DRAWN: JC
ELECTRICALLY APPROVED BY:- P. BOYLES		DATE: 14/12/01
DRAWING NO. M158E25-20700		REV: D

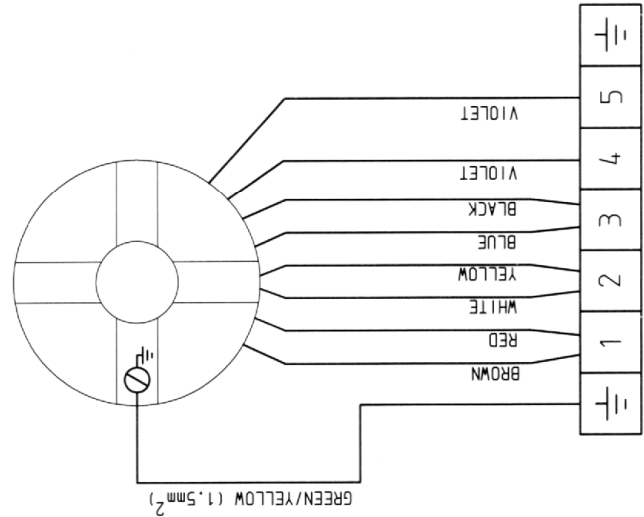
COPYRIGHT © 1998 - THIS DESIGN/DRAWING IS THE PROPERTY OF MONO EQUIPMENT LTD. AND MUST NOT BE REPRODUCED, COPIED, NOR ITS CONTENTS DIVULGED WITHOUT PRIOR WRITTEN PERMISSION.

IF IN ANY DOUBT - ASK

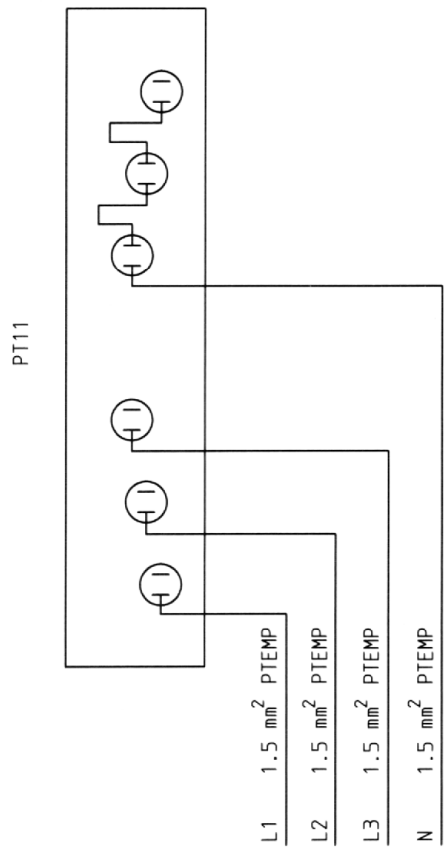


REV	SIG	DATE	REVISION	ECN NO.
A	JC	27-03-07	PT-22 REMOVED	2946
		MONO EQUIPMENT QUEENSWAY SWANSEA SA5 4EB TEL: (01792) 561934 FAX: (01792) 561016		
ELECTRICAL SPECIFICATIONS:- 230V 1PH 50Hz		TITLE: POWER CIRCUIT DIAGRAM 4 TRAY CLASSIC/COLOUR ONE WAY FAN ROTATING OVEN WITH STANDARD FAN IMPELLER		
DRAWN: JC ELECTRICALLY APPROVED BY:- P. BOYLES		DATE: 12-7-99 DRAWING NO. M158E25-51300		
COPYRIGHT © 1998 - THIS DESIGN/DRAWING IS THE PROPERTY OF MONO EQUIPMENT LTD. AND MUST NOT BE REPRODUCED, COPIED, NOR ITS CONTENTS DIVULGED WITHOUT PRIOR WRITTEN PERMISSION.				

IF IN ANY DOUBT - ASK



FAN MOTOR CONNECTIONS



HEATING ELEMENT WIRING

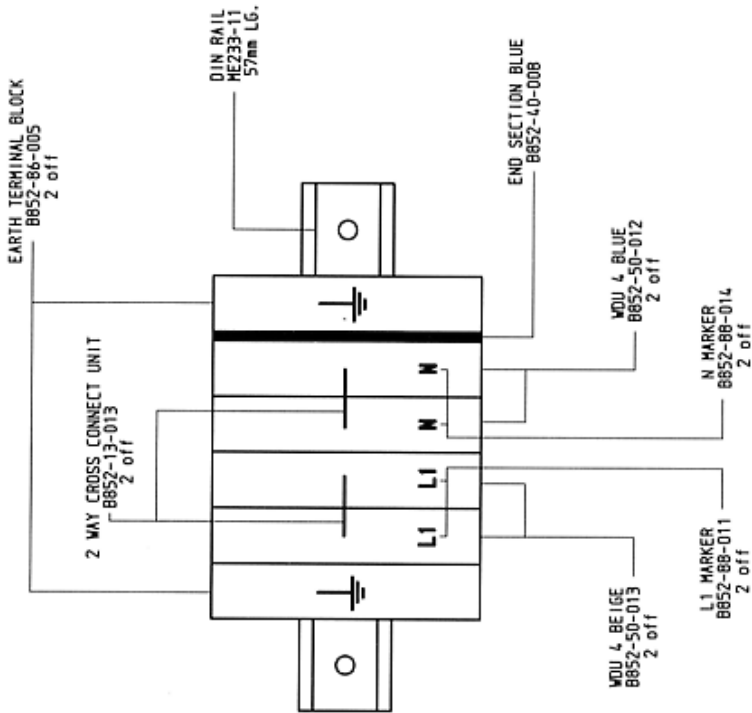
PT11

REV	SIG	DATE	REVISION	ECN NO.
			FAN MOTOR CONNECTIONS & HEATING ELEMENT WIRING 4 TRAY CLASSIC/COLOUR ONE WAY FAN ROTATING OVEN	
 MONO EQUIPMENT QUEENSWAY MANSEA WEST IND PARK SWANSEA, SA5 4EB. TEL: (01792) 561934 FAX: (01792) 561016			TITLE: FAN MOTOR CONNECTIONS & HEATING ELEMENT WIRING 4 TRAY CLASSIC/COLOUR ONE WAY FAN ROTATING OVEN	
ELECTRICAL SPECIFICATIONS:-			DRAWN: JC	ELECTRICALLY APPROVED BY:- P. BOYLES
230V 1PH 50Hz			DATE: 15-7-99	DRAWING NO: M158E25-52200
			REV: —	

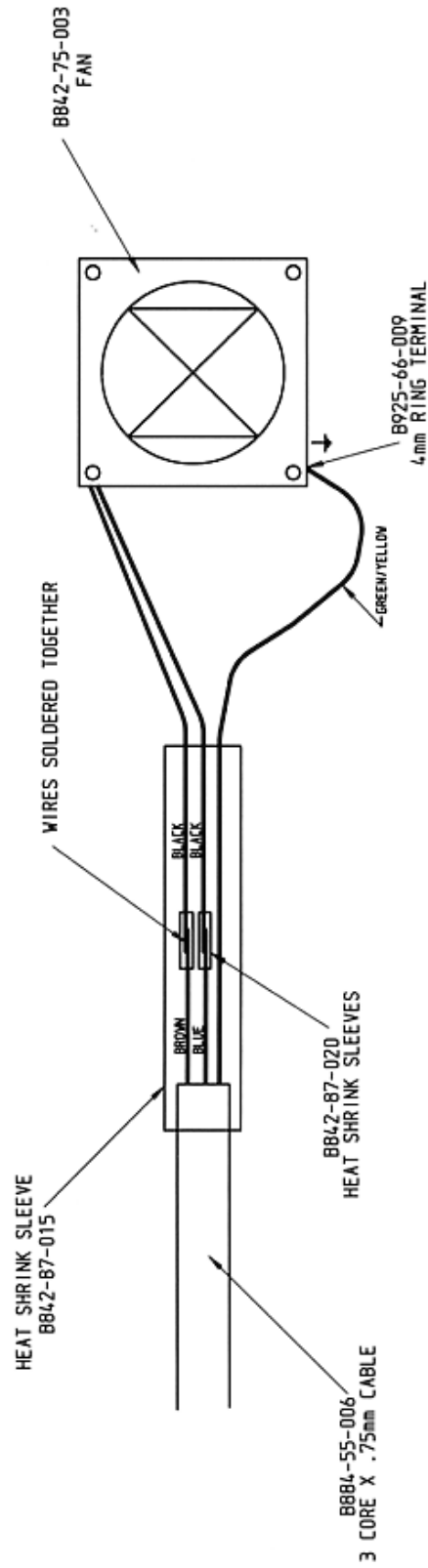
COPYRIGHT © 1998 - THIS DESIGN/DRAWING IS THE PROPERTY OF MONO EQUIPMENT LTD. AND MUST NOT BE REPRODUCED, COPIED, NOR ITS CONTENTS DIVULGED WITHOUT PRIOR WRITTEN PERMISSION.

FOR ENGINEERS USE ONLY.
DO NOT ATTEMPT ANY ALTERATIONS.
IF IN DOUBT, CONTACT MONO FOR ADVICE

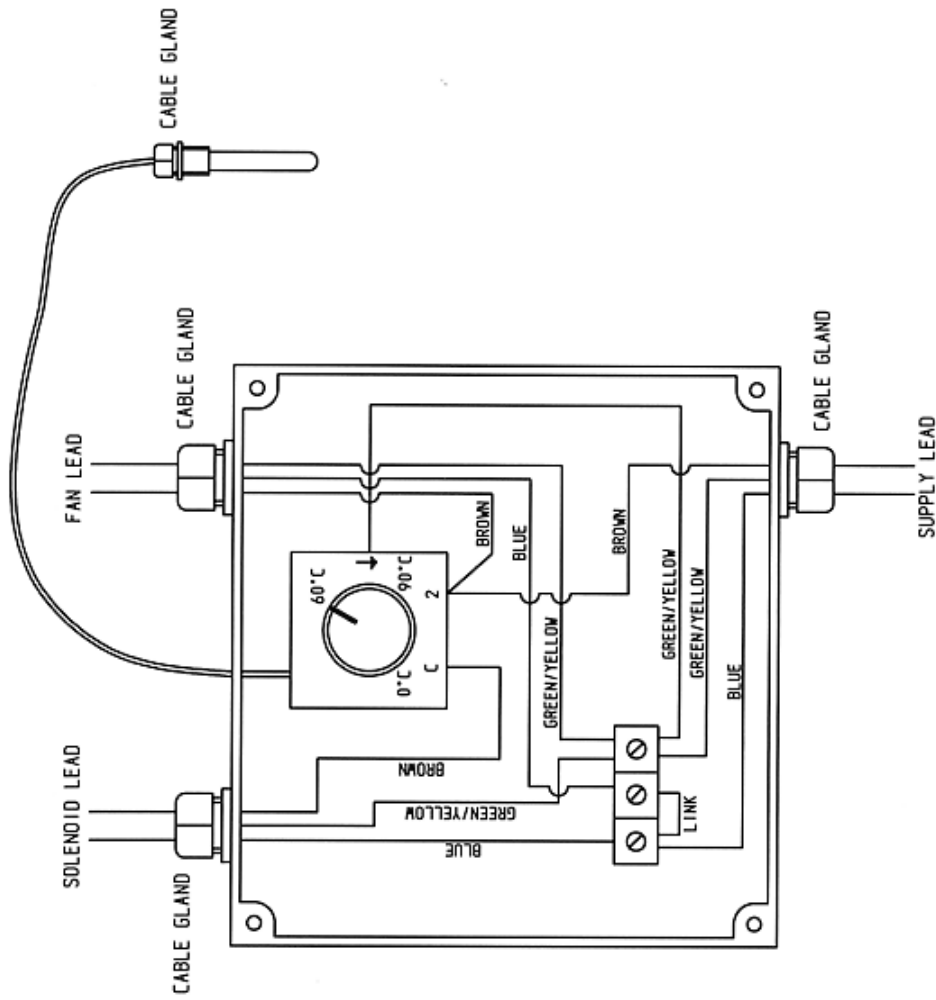
CONDENSER



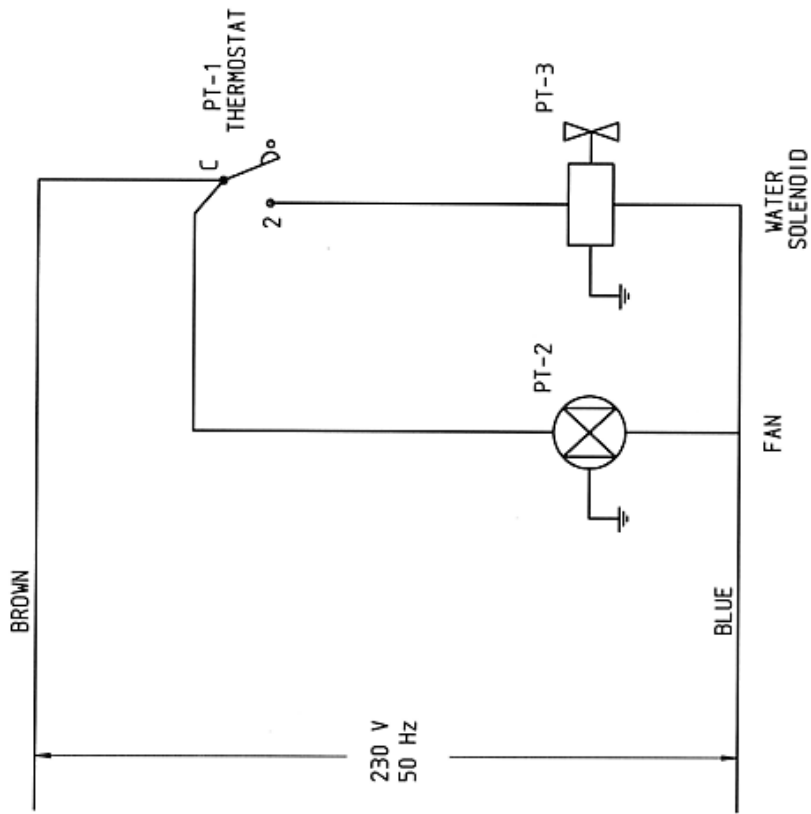
CONDENSER UNIT
 TERMINAL BLOCK LAYOUT
 H150-25-10000



CONDENSER UNIT
FAN CONNECTIONS
M150-25-10200



CONDENSER UNIT
ENCLOSURE BOX CONNECTIONS
M150-25-10300



CONDENSER UNIT
CIRCUIT DIAGRAM

M150-25-10100

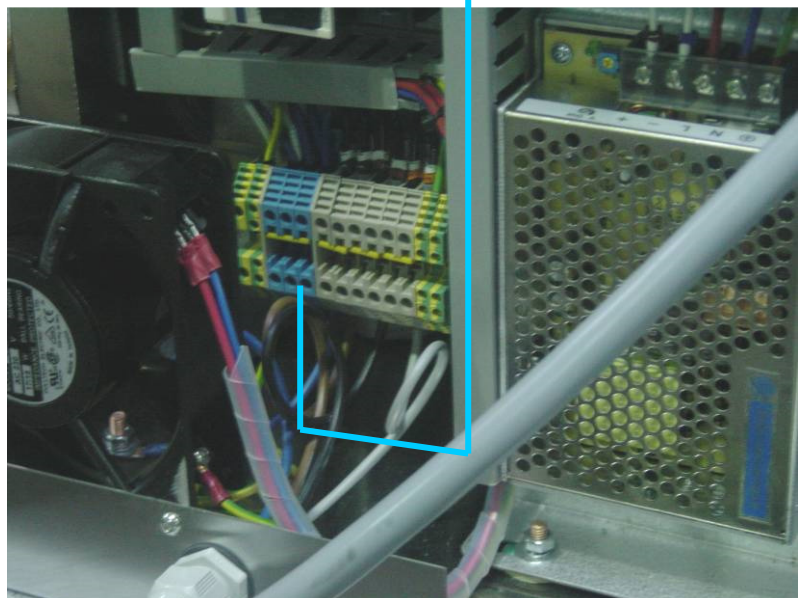
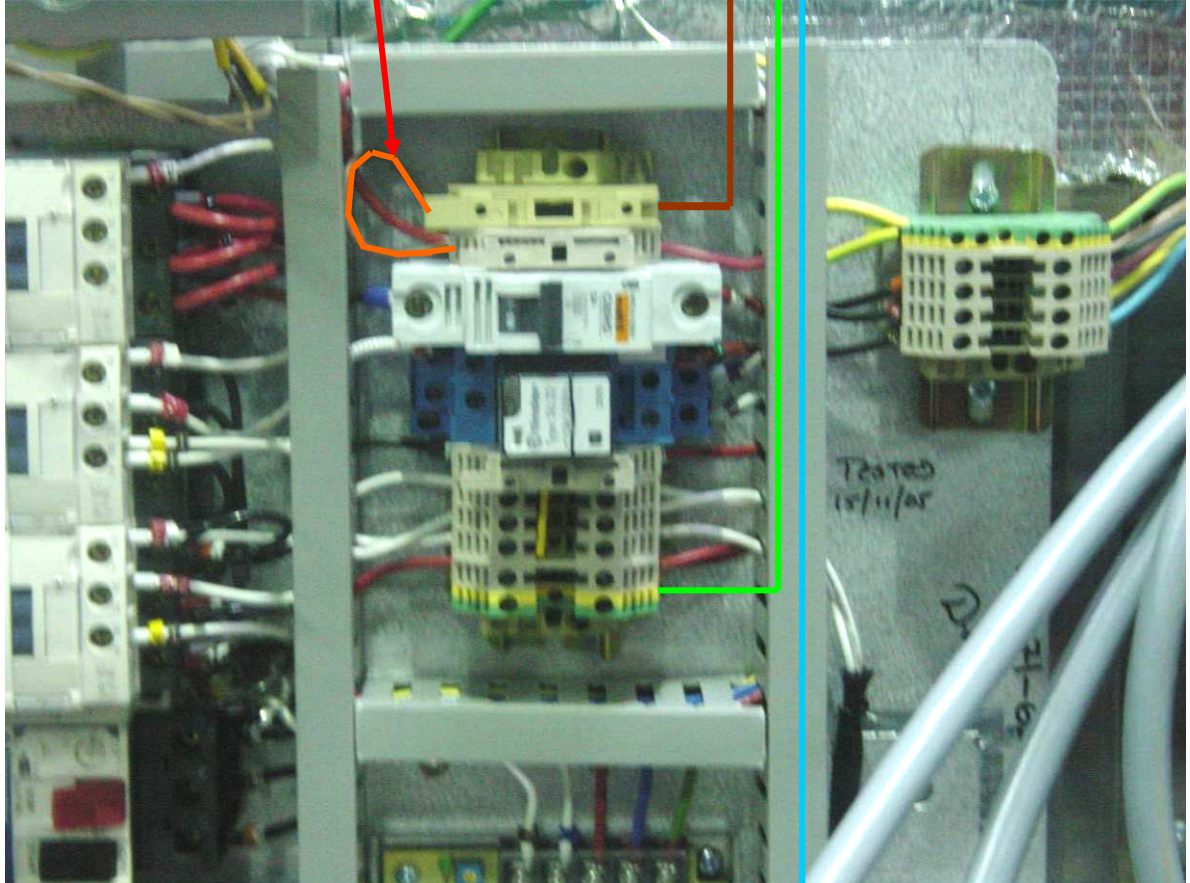
CONDENSER WIRING 4 TRAY OVEN

FIT LINK WIRE

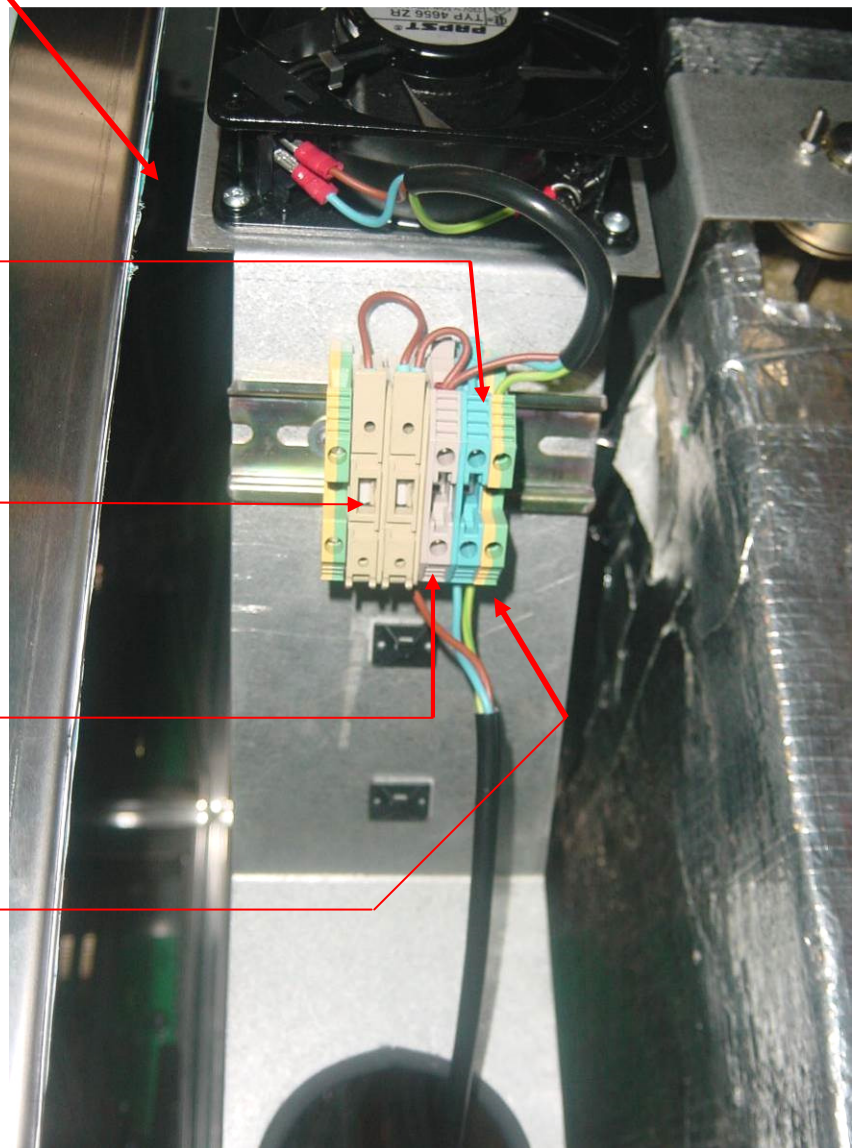
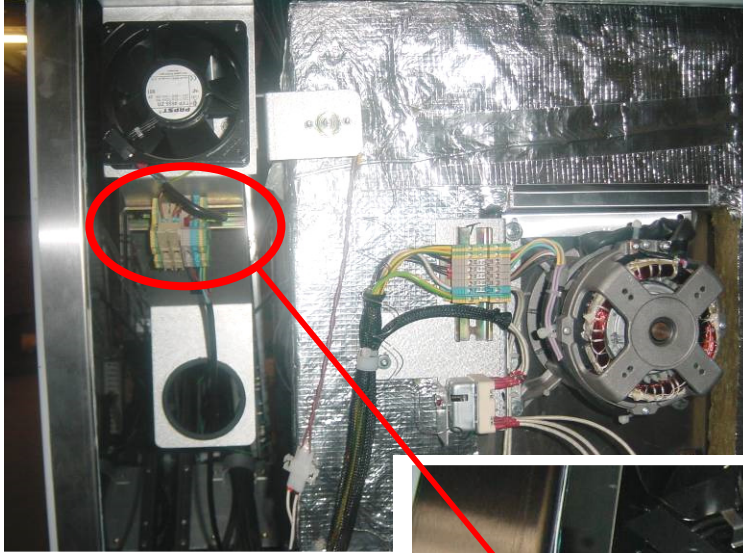
L

N

E



CONDENSER WIRING 10 TRAY Bx OVEN

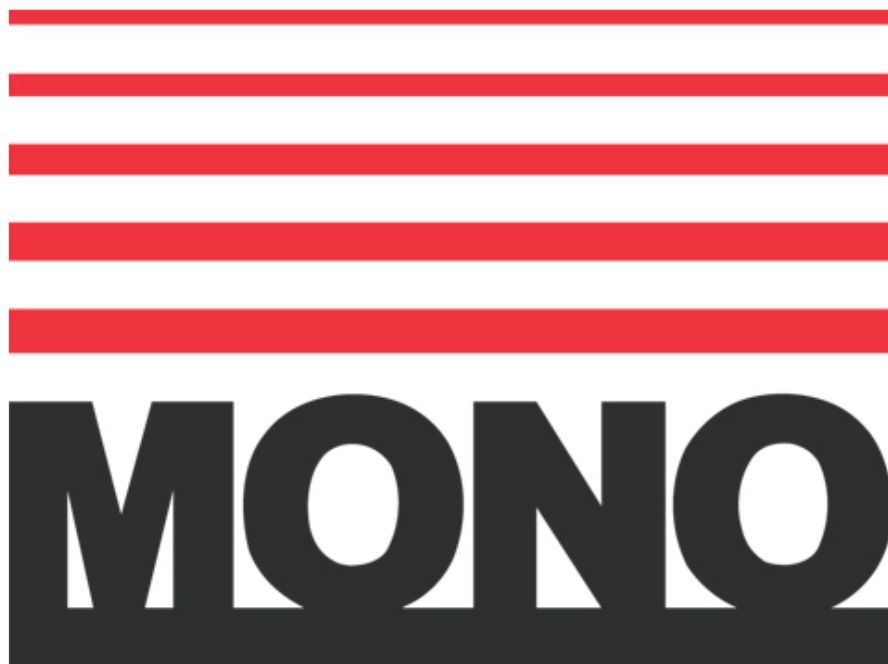


BLUE

1 AMP T FUSE

BROWN

GREEN/YELLOW



MONO Equipment

Queensway, Swansea West Industrial Park, Swansea, SA5 4EB UK

Tel. 01792 561234

Fax. 01792 561016

Email: mono@monoequip.com

www.monoequip.com

As it is our policy to improve our machines continuously, we reserve the right to change specifications without prior notice.