



[www.monoequip.com](http://www.monoequip.com)

Enter **Serial No.** here. \_\_\_\_\_

In the event of an enquiry please quote this serial number.



**ECO-TOUCH**

# **Bx OVEN**

## **ELECTRICAL INFORMATION**

**FOR ENGINEERS USE ONLY.  
DO NOT ATTEMPT ANY ALTERATIONS.  
IF IN DOUBT, CONTACT MONO FOR ADVICE**

## **SECTION 1**

### **FG149/150**

### **10 TRAY ECO-TOUCH**

**PAGE 2**

M150E25-75100	COMPONENTS
M150E25-03100	CONTROL PANEL LAYOUT
M150E25-71200	PCB CONNECTIONS
M150E25-75200	PCB OUTPUTS
M150E25-51300	LIGHT AND POWER CIRCUIT
M150E25-03200	MOTOR POWER CIRCUIT
M150E25-03300	HEATING POWER CIRCUIT
M150E25-03400	FAN AND ELEMENT WIRING

## **SECTION 2**

### **FG156**

### **2 TRAY ECO-TOUCH**

**PAGE 11**

M156E25-75000	COMPONENTS
M156E25-11600	CONTROL AND POWER CIRCUIT
M156E25-71200	PCB CONNECTIONS
M156E25-75100	PCB OUTPUTS

## **SECTION 3**

### **FG153/158/159**

### **4 TRAY ECO-TOUCH**

**PAGE 16**

M159E25-75000	COMPONENTS (159 ONLY)
M159E25-11100	CONTROL CIRCUIT (159 ONLY)
M158E25-75200	COMPONENTS (153/158 ONLY)
M158E25-20700	CONTROL CIRCUIT (153/158 ONLY)
M158E25-71200	PCB CONNECTIONS
M158E25-75300	PCB OUTPUTS
M158E25-01800	POWER CIRCUIT
M158E25-20900	FAN AND ELEMENT WIRING

## **SECTION 4**

### **FG158 4 TRAY 1 PHASE**

**PAGE 25**

M158E25-75400	COMPONENTS
M158E25-71200	PCB CONNECTIONS
M158E25-20700	CONTROL CIRCUIT
M158E25-75500	PCB OUTPUTS
M158E25-51300	POWER CIRCUIT
M158E25-52200	FAN AND ELEMENT WIRING

## **FG149/150 ECO-TOUCH 10 TRAY**

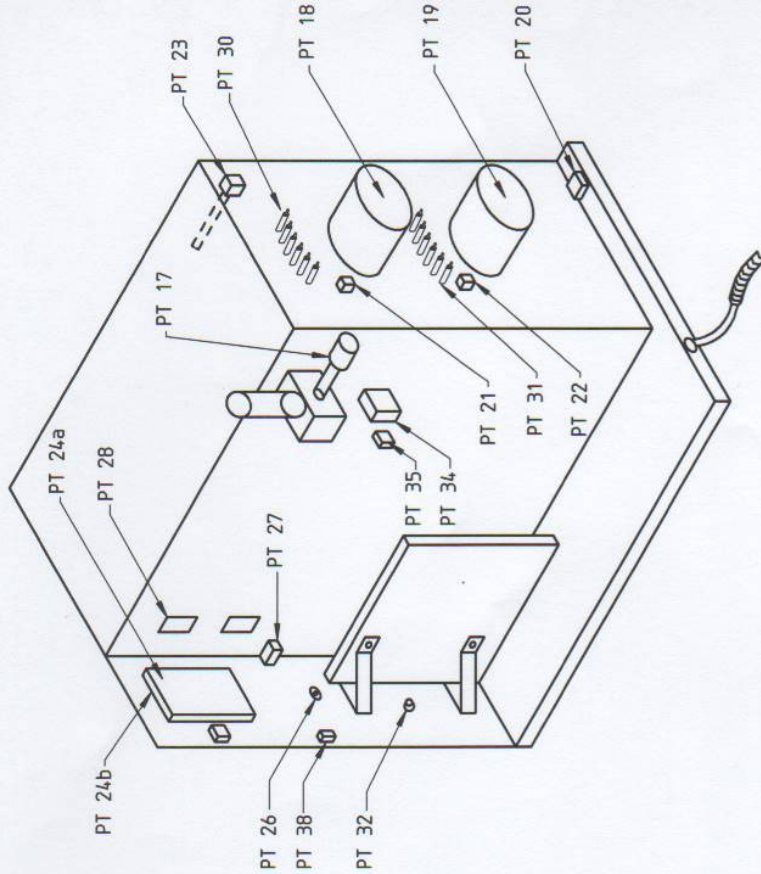
M150E25-75100	COMPONENTS
M150E25-03100	CONTROL PANEL LAYOUT
M150E25-71200	PCB CONNECTIONS
M150E25-75200	PCB OUTPUTS
M150E25-51300	LIGHT AND POWER CIRCUIT
M150E25-03200	MOTOR POWER CIRCUIT
M150E25-03300	HEATING POWER CIRCUIT
M150E25-03400	FAN AND ELEMENT WIRING

**FOR ENGINEERS USE ONLY.**  
DO NOT ATTEMPT ANY ALTERATIONS.  
IF IN DOUBT, CONTACT MONO FOR ADVICE

# SECTION 1

**IF IN ANY DOUBT - ASK**

DRAWING	DESCRIPTION	MONO
PT-Ref		PART NUMBER
PT-1	INTERIOR LIGHT M.C.B.	8872-22-063
PT-2	CONTROL CIRCUIT M.C.B.	8872-22-062
PT-4a	FAN MOTOR OVERLOAD UNIT N'1 (TOP)	8801-03-020
PT-4b	FAN MOTOR OVERLOAD N'1 AUXILIARY CONTACT	8801-14-012
PT-5a	FAN MOTOR OVERLOAD UNIT N'2 (BOTTOM)	8801-03-020
PT-5b	FAN MOTOR OVERLOAD N'2 AUXILIARY CONTACT	8801-14-012
PT-8a	INTERIOR LIGHT RELAY	8723-37-004
PT-8b	INTERIOR LIGHT RELAY BASE	8723-36-001
PT-10a	FAN MOTOR CONTACTOR N'1-FORWARD (TOP MOTOR)	8801-08-031
PT-10b	FAN MOTOR CONTACTOR N'1-REVERSE (TOP MOTOR)	8801-08-031
PT-11a	FAN MOTOR CONTACTOR N'2-FORWARD (BTM MOTOR)	8801-08-031
PT-11b	FAN MOTOR CONTACTOR N'2-REVERSE (BTM MOTOR)	8801-08-031
PT-14	24V DC POWER SUPPLY UNIT	8801-93-005
PT-15	HEATING ELEMENT CONTACTOR	8801-08-020
PT-17	{ DAMPER SOLENOID (L/H) DAMPER SOLENOID (R/H)	{ 8749-83-003 8749-83-004
PT-18	FAN MOTOR UNIT N'1 (TOP MOTOR)	8720-74-005
PT-19	FAN MOTOR UNIT N'1 (BOTTOM MOTOR)	8720-74-005
PT-20	WATER SOLENOID	150-07-00400
PT-21	OVERHEAT THERMOSTAT N'1 (TOP)	8888-30-014
PT-23	OVEN THERMOCOUPLE	8873-95-002
PT-24a	PCB ASSEMBLY	M158-25-80000
PT-24b		
PT-26	PUSHBUTTON-GREEN-LATCHING	8836-07-004
PT-27	DOOR SWITCH	8842-07-037
PT-28A	INTERIOR LIGHT UNIT	8721-67-011
PT-28B	INTERIOR LIGHT BULB	8857-94-007
PT-29	BUZZER (OPTION)	8723-92-002
PT-30	8KW ELEMENT OVENS ONLY	
PT-30	HEATING ELEMENT UNIT N'1 (TOP)	8847-04-068
PT-31	HEATING ELEMENT UNIT N'2 (BOTTOM)	8847-04-068
PT-30	HEATING ELEMENT UNIT N'1 (TOP)	8847-04-073
PT-31	HEATING ELEMENT UNIT N'2 (BOTTOM)	8847-04-073
PT-30	7KW ELEMENT OVENS ONLY	
PT-30	HEATING ELEMENT UNIT N'1 (TOP)	8847-04-067
PT-31	HEATING ELEMENT UNIT N'2 (BOTTOM)	8847-04-067
PT-30	HEATING ELEMENT UNIT N'1 (TOP)	8847-04-074
PT-31	HEATING ELEMENT UNIT N'2 (BOTTOM)	8847-04-074
PT-34	REAR FAN UNIT	8869-75-018
PT-35	REAR FAN UNIT FUSE	8842-85-025
PT-36	AUX POWER OUTLET	8970-06-001
PT-37	AUX POWER OUTLET FUSE	8842-85-039
PT-38	SPEAKER	8842-92-005

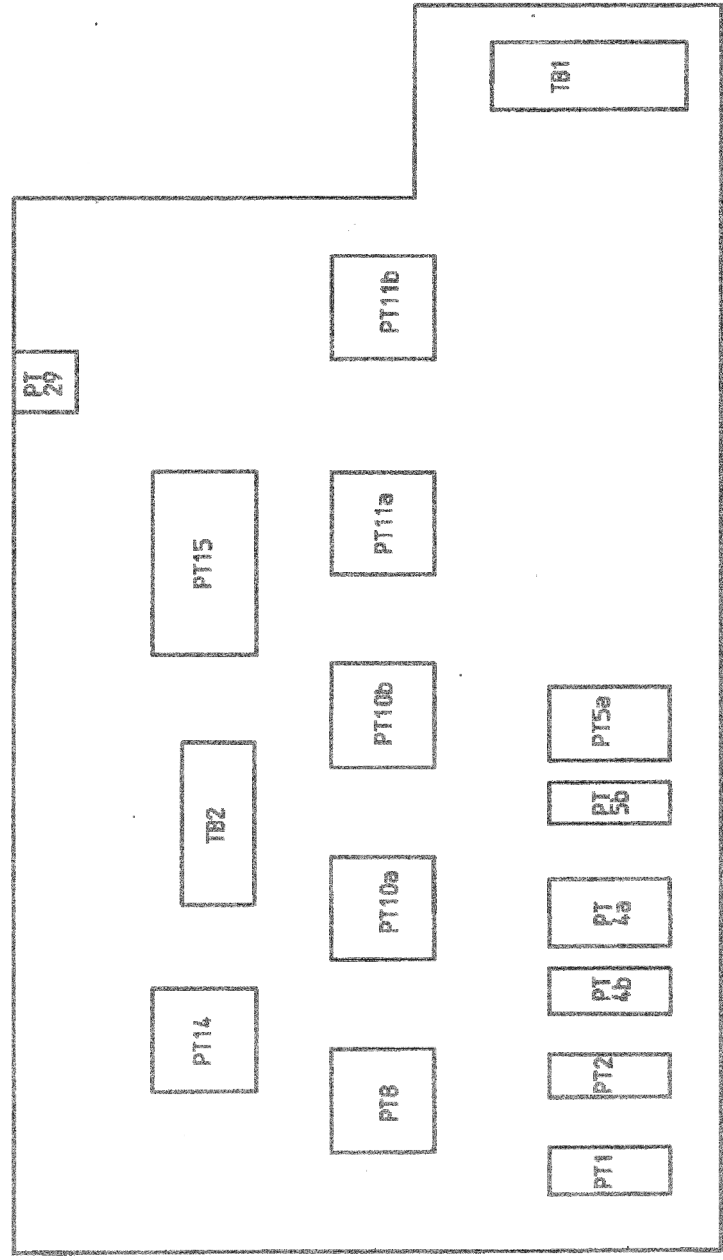


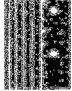
REV	SIG	DATE	REVISION	ECN NO.
B	JC	02-05-19	PT-27 WAS B842-07-023	BX-007-18-19
A	JC	27/11/18	PT18 & PT19 WERE B720-74-001	8842-07-037
<b>MONO EQUIPMENT</b> QUEENSWAY SWANSEA WEST IND PARK SWANSEA, SA5 4EB. TEL: (01792) 561234 FAX: (01792) 561016				
TITLE: ELECTRICAL COMPONENTS LAYOUT BXC 10 TRAY OVEN ECO/HALOGEN				
ELECTRICAL SPECIFICATIONS:- 415V 3PH 50HZ				
DRAWN: RAC / JC ELECTRICALLY APPROVED BY:-				
DATE: 30/11/09 DRAWING NO. M150E25-75100 REV: B				

COPYRIGHT © 1998 - THIS DESIGN/DRAWING IS THE PROPERTY OF MONO EQUIPMENT LTD. AND MUST NOT BE REPRODUCED, COPIED, NOR ITS CONTENTS DIVULGED WITHOUT PRIOR WRITTEN PERMISSION.

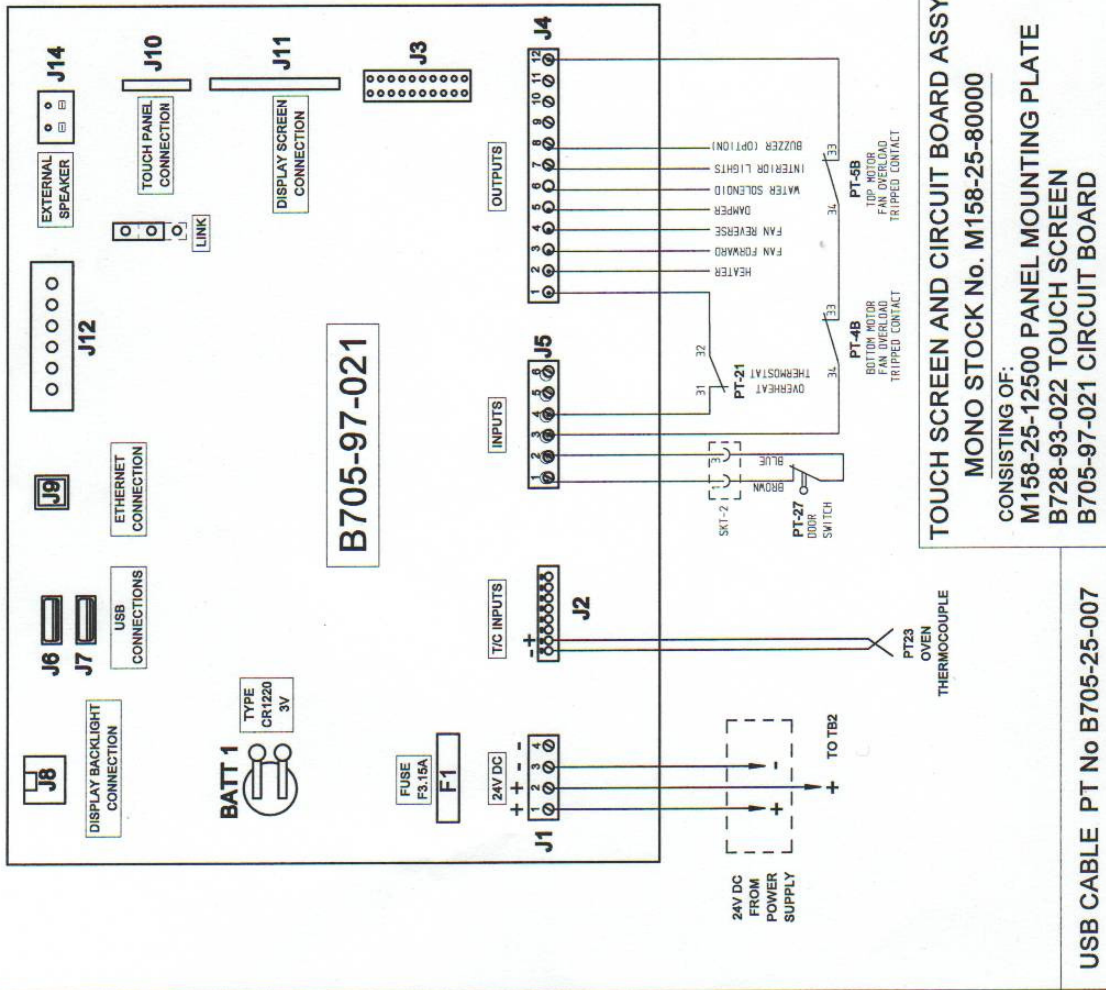


IF IN ANY DOUBT - ASK

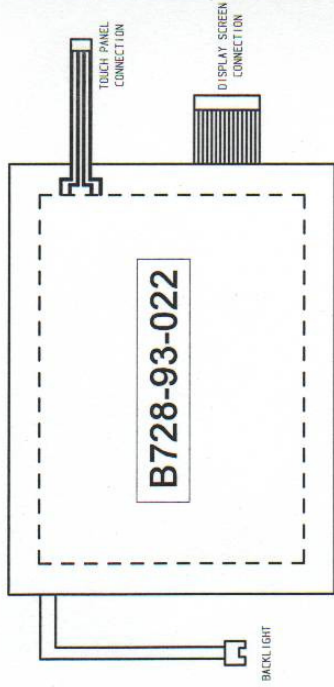


REV	NO	DATE	REVISION	ECON NO.
		TITLE: COLOURSMART MAIN CONTROL PANEL LAYOUT 10 TRAY OVEN MK11		
ECOTOUCH ELECTRICS 2500 WHEAT IND PARK SINGAPORE, SINGAPORE, 6300 468. TEL: 67793 8180/81 FAX: 67788 8116		DRAWING: ELECTRICALLY APPROVED BY: A.L.W. P. BOYLES		
ELECTRICAL SPECIFICATIONS:-		DATE: 3/2/00 DRAWING NO: M150E25-03100 REV: -		
COPYRIGHT © 1998 - THIS DESIGN/DRAWING IS THE PROPERTY OF HONG EQUIPMENT LTD. AND MUST NOT BE REPRODUCED, COPIED, OR ITS CONTENTS DIVULGED WITHOUT PRIOR WRITTEN PERMISSION				

IF IN ANY DOUBT - ASK



DISPLAY SCREEN WITH TOUCH PANEL



VIEW FROM REAR

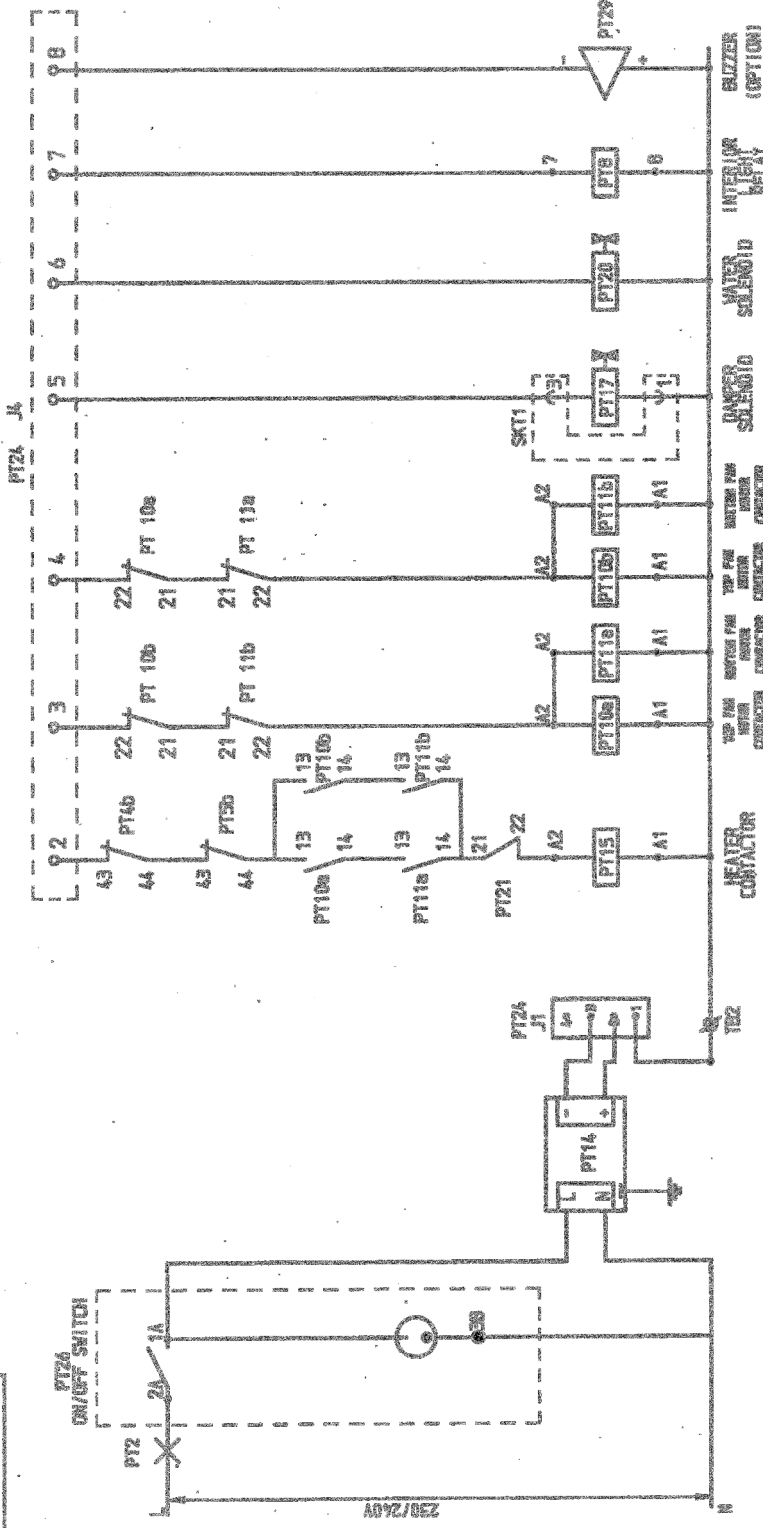
REV	SIG	DATE	REVISION	ECN NO.
<p><b>MONO EQUIPMENT</b>                  101 PENINSULA                  SWANSEA WEST IND PARK                  SWANSEA,                  SA5 4EB.                  TEL: (01782) 581234                  FAX: (01782) 581018</p>				
<p>TITLE:  <b>ECO TOUCH                  MAIN PCB/SCREEN LAYOUT                  (TOUCAN)</b></p>			<p>10 TRAY</p>	
<p>ELECTRICAL SPECIFICATIONS:-</p>			<p>DRAWN:                  RAC</p>	
<p>DATE:                  19/11/09</p>			<p>ELECTRICALLY APPROVED BY:-                  AT</p>	
<p>REV: ---</p>			<p>DRAWING NO.                  M150E25-71200</p>	

**TOUCH SCREEN AND CIRCUIT BOARD ASSY**  
**MONO STOCK No. M158-25-80000**  
 CONSISTING OF:  
 M158-25-12500 PANEL MOUNTING PLATE  
 B728-93-022 TOUCH SCREEN  
 B705-97-021 CIRCUIT BOARD

USB CABLE PT No B705-25-007

COPYRIGHT © 1998 - THIS DESIGN/DRAWING IS THE PROPERTY OF MONO EQUIPMENT LTD. AND MUST NOT BE REPRODUCED, COPIED, NOR ITS CONTENTS DIVULGED WITHOUT PRIOR WRITTEN PERMISSION.

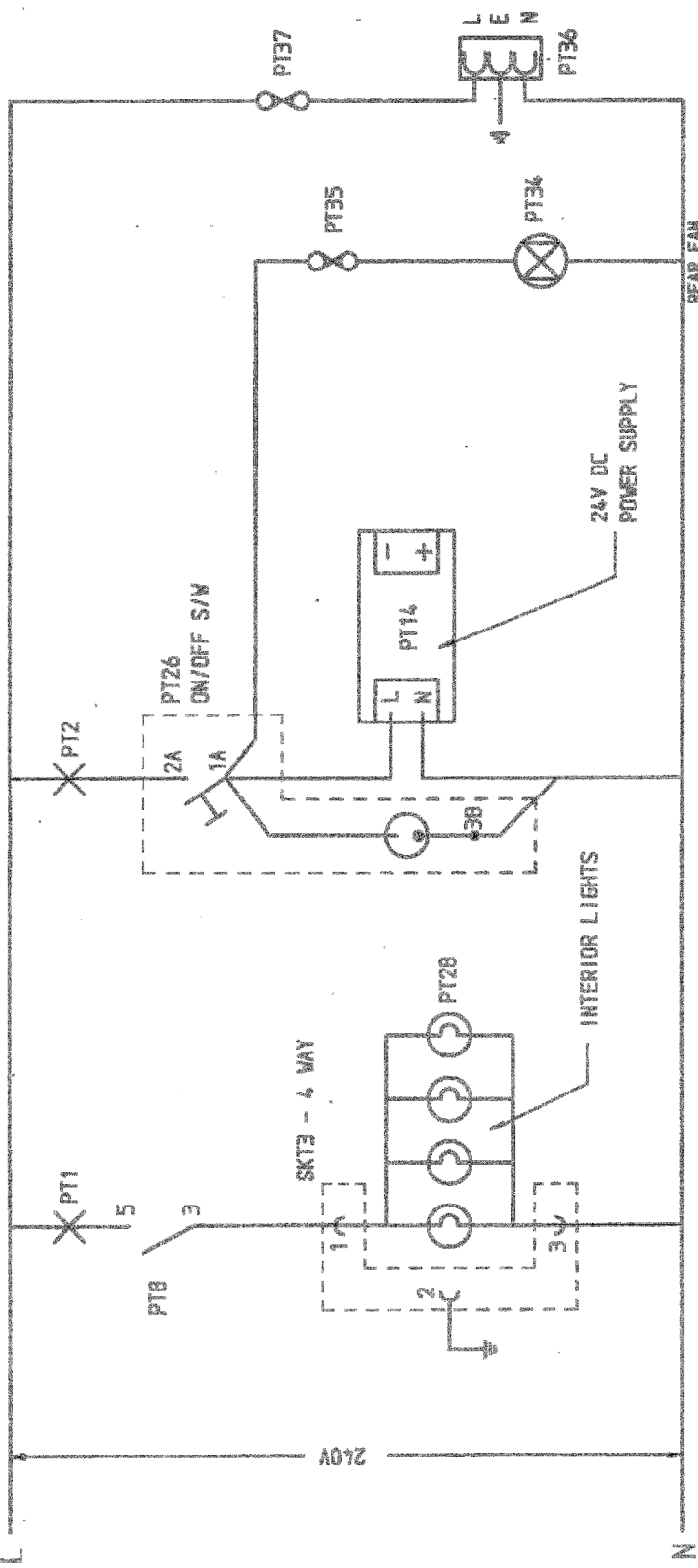
IF IN ANY DOUBT - ASK



REV	NO	DATE	REVISION	ECN NO.
<p>WIND ENERGY SYSTEMS          3340000 WEST RD PARK          SUVAWA, OSAKA          546 JPN          TEL: 0770 012304          FAX: 0770 01018          ELECTRICAL OPERATORS-</p>			<p>TITLE:          BXC 10 TRAY MK3 OVEN          P.C.B. OUTPUTS</p>	
<p>415V 3 PHASE 50HZ</p>			<p>ECD/HALDEN          DRAWING NO.          JC/RAC</p>	
<p>DATE:          30-11-09</p>			<p>ELECTRICALLY APPROVED BY:-</p>	<p>REV:          --</p>
<p>DRAWING NO. M150E25-75200</p>				

COPYRIGHT © 1996 - THIS DESIGN/DRAWING IS THE PROPERTY OF NOKO EQUIPMENT LTD. AND MUST NOT BE REPRODUCED, COPIED, OR ITS CONTENTS DIVULGED WITHOUT PRIOR WRITTEN PERMISSION.

IF IN ANY DOUBT - ASK



REV	DATE	DESCRIPTION	BY	CHKD
D	RAC 22-2-07	PT36 & PT37 ADDED		2946
C	J 22-11-04	PT-268-d WAS 8801--xx (SEE LIST)		2329
B	JC 25-9-03	SWITCH (PT-26) CHANGED		2057
A	JC 14-2-03	EXISTING SMALL FAN DELETED 118 CONNECTION WITH BEN WEST		1927

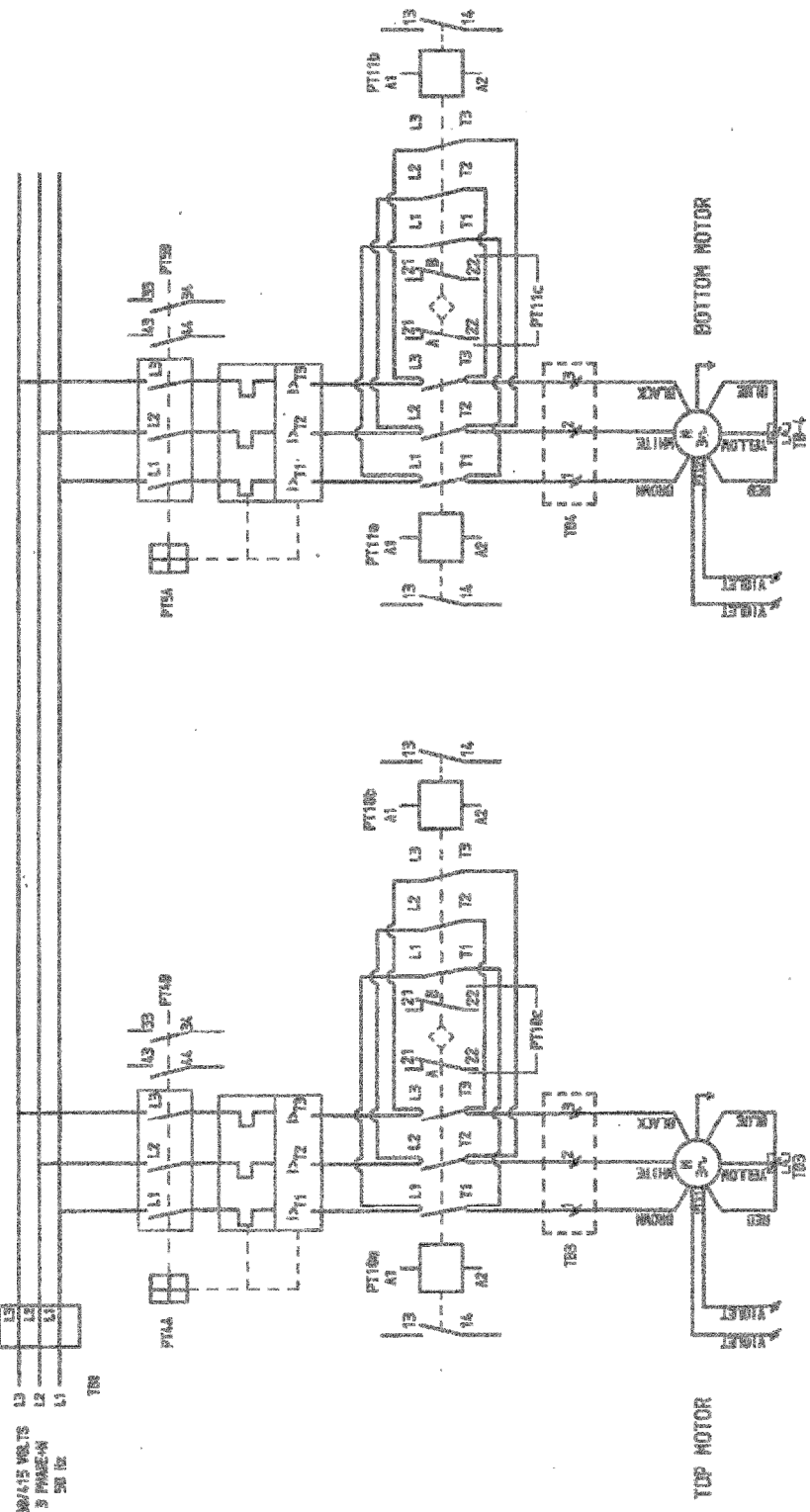
**WABO ELECTRIC**  
 1000 WABO DRIVE  
 WABO, MISSISSIPPI 39291  
 TEL: (601) 855-1111  
 FAX: (601) 855-1111

TITLE: BXC 10 TRAY OVEN  
 INTERIOR LIGHT & POWER  
 SUPPLY CIRCUIT  
 DRAWN BY: J6/JJC  
 ELECTRICALLY APPROVED BY: P. BOYLES  
 DATE: 9-11-01  
 DRAWING NO.: M150E25-51300

COPYRIGHT © 1998 - THIS DESIGN/DRAWING IS THE PROPERTY OF WABO EQUIPMENT LTD. AND MUST NOT BE REPRODUCED, COPIED,  
 NOR ITS CONTENTS DIVULGED WITHOUT PRIOR WRITTEN PERMISSION.



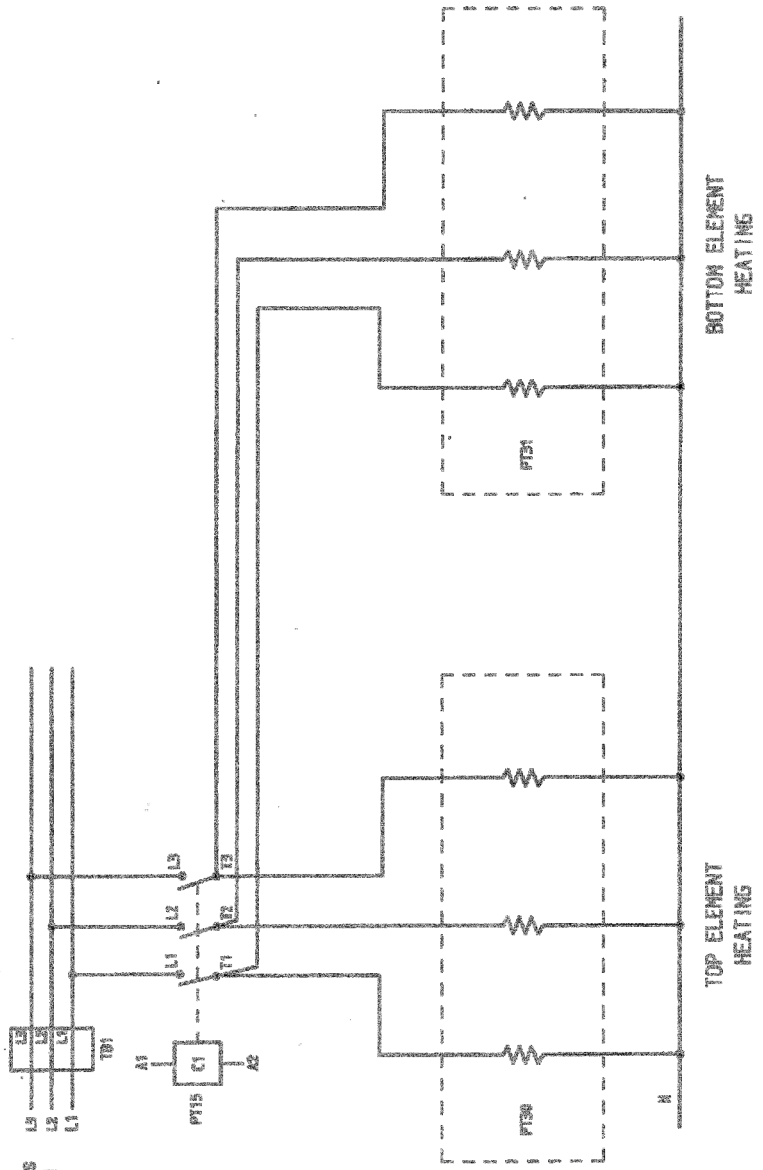
IF IN ANY DOUBT - ASK



REV	NO	DATE	DESCRIPTION	ECN NO.
<p><b>MIND ELECTRIC</b>          100, WILSON ROAD, WEST AND PAPER          ROAD, SINGAPORE 150001.          TEL: 6738 8100          FAX: 6738 8101</p>			<p><b>380/415V 3 PH &amp; N 50HZ</b></p>	
<p><b>380/415V 3 PH &amp; N 50HZ</b></p>			<p>DESIGNED BY: <b>A.L.N.</b>          ELECTRICALLY APPROVED BY: <b>P. BOTLES</b></p>	
<p>DATE: <b>3/2/00</b></p>			<p>DRAWING NO: <b>H150E25-03200</b></p>	
<p>REV: <b>-</b></p>			<p>REV: <b>-</b></p>	

COPYRIGHT © 1998 - THIS DESIGN/DRAWING IS THE PROPERTY OF MIND EQUIPMENT LTD. AND MUST NOT BE REPRODUCED, COPIED, OR FOR ITS CONTENTS INQUIRED WITHOUT PRIOR WRITTEN PERMISSION.

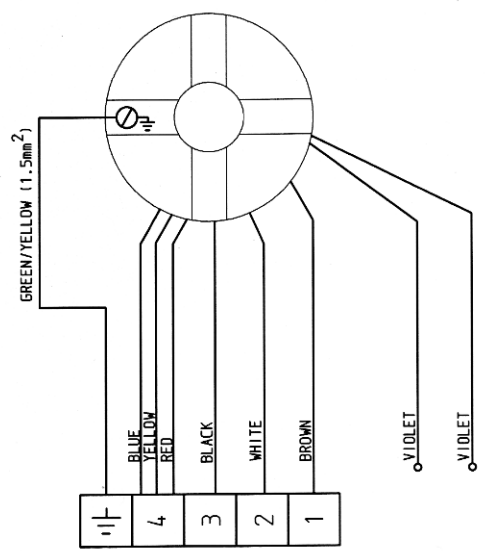
IF IN ANY DOUBT - ASK



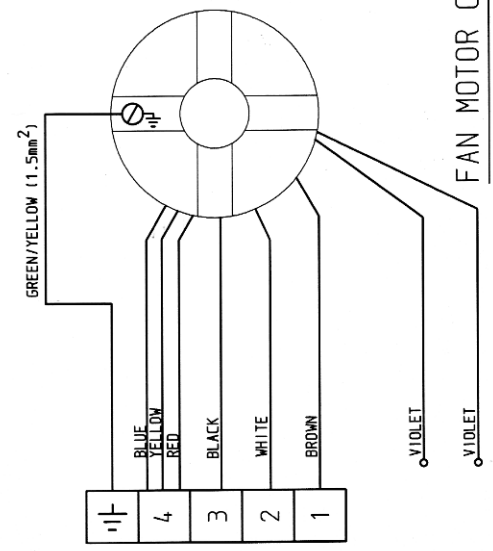
REV	NO	DATE	DESCRIPTION	ECN NO.
A			RAC 22-2-07 PT21 & PT22 O/HEAT THERMOSTATS REMOVED	2946
			REVISION	
			TITLE	
			HEATING POWER CIRCUIT DIAGRAM	
			10 TRAY OVER MK II	
			DESIGNED BY	
			A.L.V.	
			ELECTRICALLY APPROVED BY	
			P. BOYLES	
			DRAWN INCL	
			M150E25-03300	
			DATE	
			3/2/00	
			VOLTS	
			380/415V 3 PHASE+N 50HZ	

COPYRIGHT © 1998 - THIS DESIGN/DRAWING IS THE PROPERTY OF IRONG EQUIPMENT LTD. AND MUST NOT BE REPRODUCED, COPIED, OR ITS CONTENTS DIVULGED WITHOUT PRIOR WRITTEN PERMISSION.

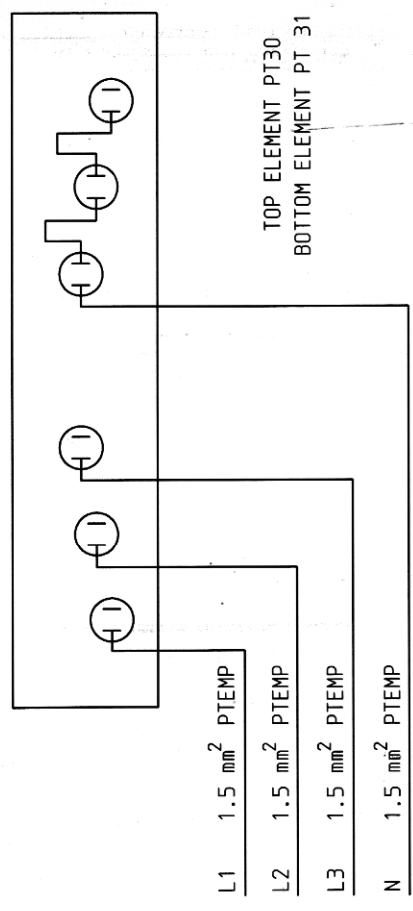
IF IN ANY DOUBT - ASK



TOP MOTOR PT 18



BOTTOM MOTOR PT 19



TOP ELEMENT PT30  
BOTTOM ELEMENT PT 31

HEATING ELEMENT WIRING

FAN MOTOR CONNECTIONS

(MOTORS DID RUN OPPOSITE DIRECTIONS ON EARLY MODELS)  
 COPYRIGHT © 1998 - THIS DESIGN/DRAWING IS THE PROPERTY OF MONO EQUIPMENT LTD. AND MUST NOT BE REPRODUCED, COPIED,  
 NOR ITS CONTENTS DIVULGED WITHOUT PRIOR WRITTEN PERMISSION.

REV	SIG	DATE	REVISION	ECH NO.
			FAN MOTOR CONNECTIONS & HEATING ELEMENT WIRING 10 TRAY OVEN	
<b>MONO EQUIPMENT</b> QUEENSWAY SWANSEA WEST IND PARK SWANSEA, SAG 4EB. TEL: (01792) 551234 FAX: (01792) 551016			TITLE:	
ELECTRICAL SPECIFICATIONS:-			DRAWN: A.L.W.	
380/415V 3PH+N 50HZ			ELECTRICALLY APPROVED BY: P. BOYLES	
			DATE: 3/2/00	
			DRAWING NO: M150E25-034.00	
			REV: -	

## **FG156**

## **2 TRAY**

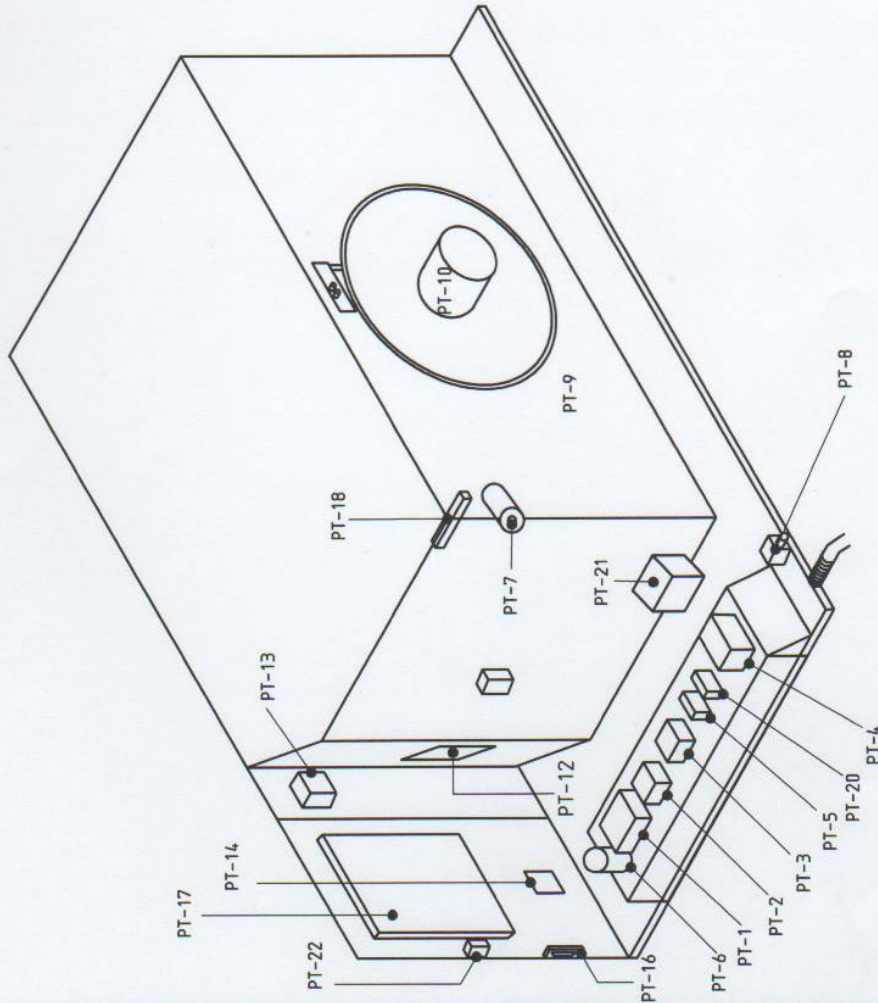
M156E25-75000	COMPONENTS
M156E25-11600	CONTROL AND POWER CIRCUIT
M156E25-71200	PCB CONNECTIONS
M156E25-75100	PCB OUTPUTS

**FOR ENGINEERS USE ONLY.**  
DO NOT ATTEMPT ANY ALTERATIONS.  
IF IN DOUBT, CONTACT MONO FOR ADVICE

# **SECTION 2**



IF IN ANY DOUBT - ASK



DRAWING PT-Ref	DESCRIPTION	MONO PART NUMBER
PT-1	24V DC POWER SUPPLY	8801-93-005
PT-2	INTERNAL LIGHT RELAY	8723-37-001
PT-3	FAN MOTOR RELAY	8723-37-002
PT-4	HEATING ELEMENT CONTACTOR	8801-08-021
PT-5	CONTROL FUSE	8842-85-039
PT-6	BUZZER (OPTION)	8982-92-001
PT-7	DAMPER SOLENOID	8749-83-003
PT-8	2T WATER INLET ASSY	156-37-004.00
* PT-9	(220V) HEATING ELEMENT	8847-04-053
* PT-9	(240V) HEATING ELEMENT	8847-04-117
PT-10	FAN MOTOR	8720-74-004
PT-11	INTERIOR LIGHT UNIT	8721-67-011
PT-12a	INTERIOR LIGHT BULB	8857-94-007
PT-12b	INTERIOR LIGHT BULB	8842-07-037
PT-13	DOOR SWITCH	8836-07-004
PT-14	ON/OFF SWITCH	8705-25-005
PT-15	DATA LINK SOCKET LEAD	M158-25-80000
PT-16	PCB ASSEMBLY	8873-95-002
PT-17a	OVEN THERMOCOUPLE	8842-85-042
PT-18	INTERIOR LIGHT FUSE	8888-30-014
PT-20	OVERHEAT THERMOSTAT	8842-92-005
PT-21	SPEAKER	
PT-22		

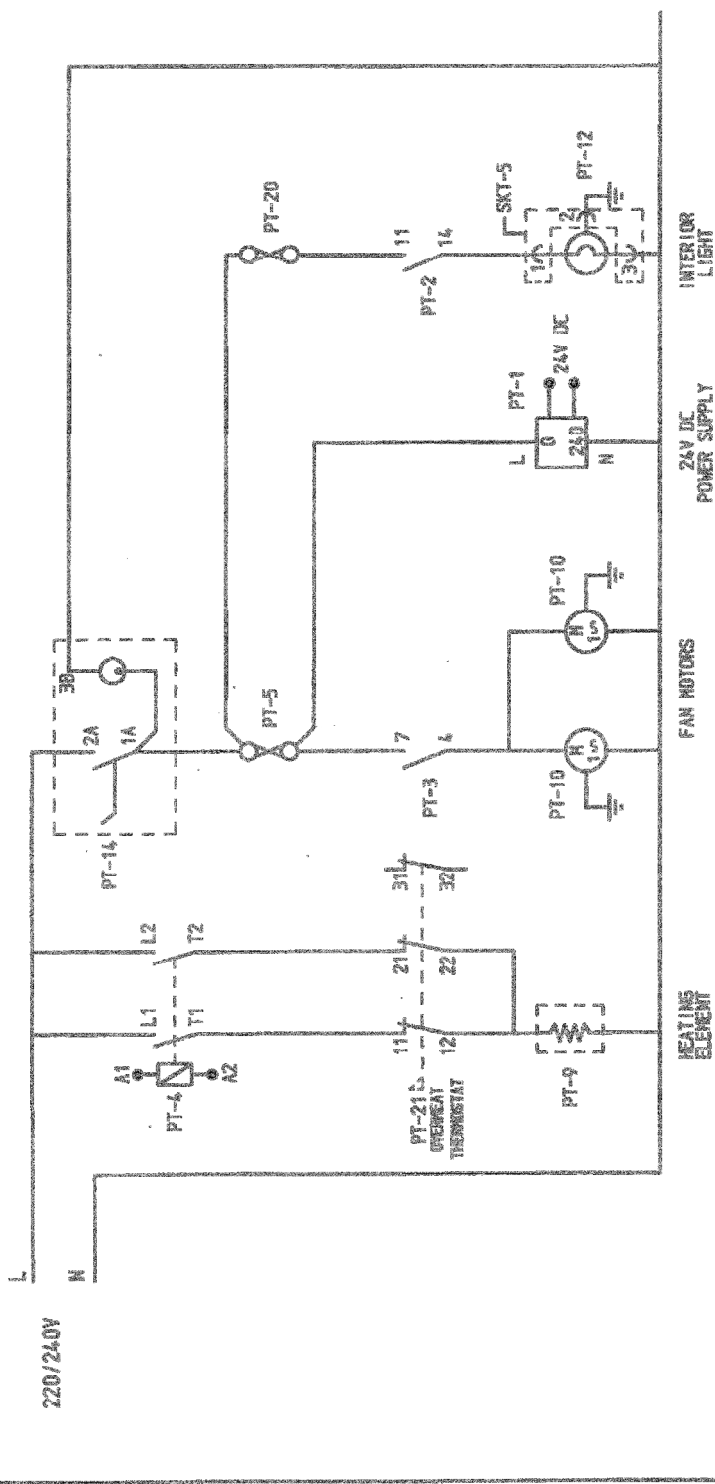
REV	SIG	DATE	REVISION	ECN NO.
A	JC	02-05-19	PT-13 WAS B842-07-023	88-18-10019

<b>MONO EQUIPMENT</b> QUEENSWAY SWANSEA WEST IND PARK SWANSEA, SAG 4EB. TEL: (01782) 581234 FAX: (01782) 581016		TITLE: ELECTRICAL COMPONENTS LAYOUT 2 TRAY 1 PHASE COLOUR ECO/HALOGEN
ELECTRICAL SPECIFICATIONS:- 220/240V 1 PHASE		DRAWN: JC/RAC DATE: 30-11-09
		ELECTRICALLY APPROVED BY:-
		DRAWING NO. M156E25-75000
		REV: A

COPYRIGHT © 1998 - THIS DESIGN/DRAWING IS THE PROPERTY OF MONO EQUIPMENT LTD. AND MUST NOT BE REPRODUCED. COPIED.  
 NOR ITS CONTENTS DIVULGED WITHOUT PRIOR WRITTEN PERMISSION.

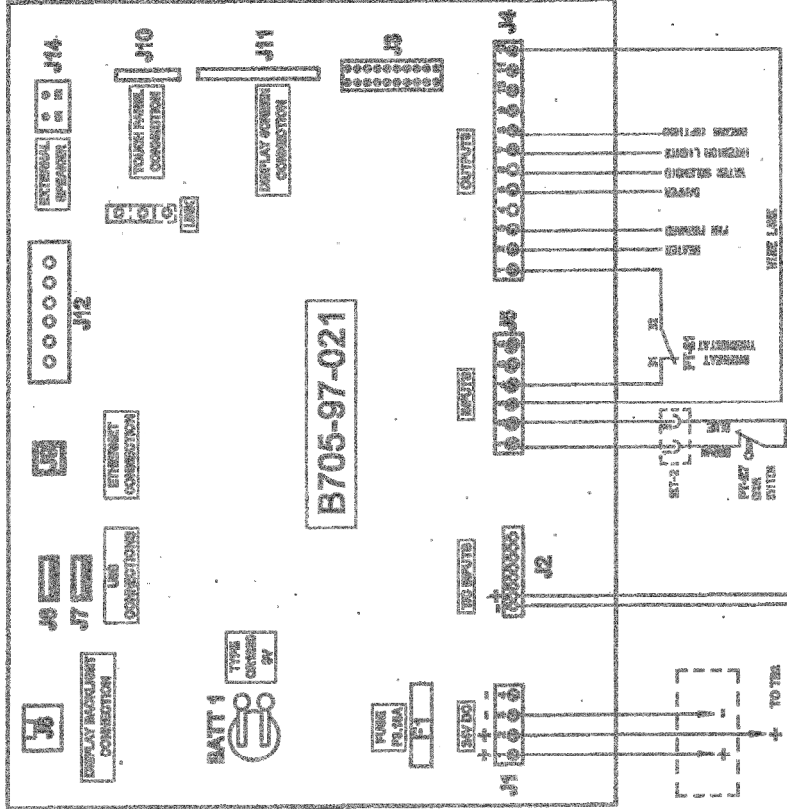
IF IN ANY DOUBT - ASK



B	JC	29-9-03	PT14 WIRED IN CONJUNCTION WITH ECM 2055-2057	2058
A	ALW	8-11-96	SKT-5 ADDED	01/52
DEV	SSB	DATE	REVISION	ECN NO.
		TITLE: CONTROL & POWER CIRCUIT DIAGRAM FOR 220/240V 1 PHASE 2 TRAY		
ELECTRICAL OPERATIONS 220/240V 1 PHASE		DESIGNED BY: P. BOYLES DATE: 12-6-96 DRAWING NO: M156E25-11600		

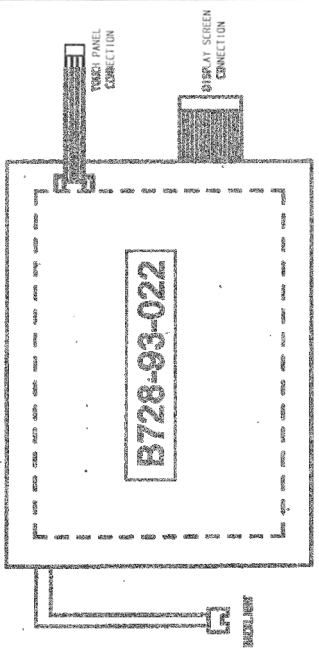
COPYRIGHT © 1998 - THIS DESIGN/DRAWING IS THE PROPERTY OF KING EQUIPMENT LTD. AND MUST NOT BE REPRODUCED, COPIED, OR ITS CONTENTS DIVULGED WITHOUT PRIOR WRITTEN PERMISSION.

IF IN ANY DOUBT - ASK



B705-97-021

DISPLAY SCREEN WITH TOUCH PANEL



VIEW FROM REAR

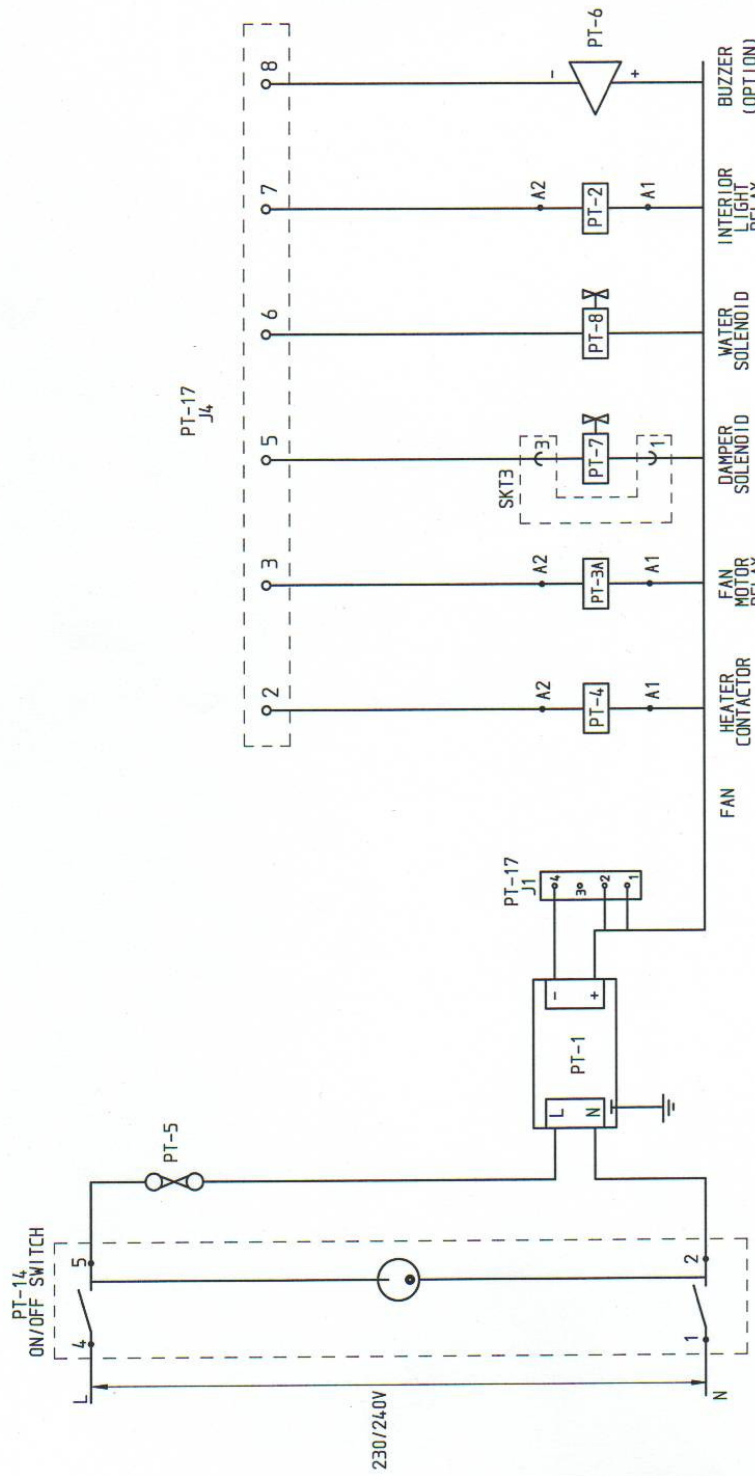
REV	NO	DATE	DESCRIPTION	ECN NO.
			ECO TOUCH MAIN PCB/SCREEN LAYOUT (TOUCAN) 2 TRAY	
DESIGNED BY: M158-25-80000			DATE: 19/11/09	REV: ---
DRAWN BY: M156E25-71200			DATE: 19/11/09	REV: ---
ELECTRICAL SPECIFICATIONS:				
RAC			AT	

TOUCH SCREEN AND CIRCUIT BOARD ASSY  
 MONO STOCK No. M158-25-80000  
 CONSISTING OF:  
 M158-25-12500 PANEL MOUNTING PLATE  
 B728-93-022 TOUCH SCREEN  
 B705-97-021 CIRCUIT BOARD

USB CABLE PT No B705-25-407

COPYRIGHT © 1998 - THIS DESIGN/DRAWING IS THE PROPERTY OF HIND EQUIPMENT LTD. AND MUST NOT BE REPRODUCED, COPIED, OR ITS CONTENTS DIVULGED WITHOUT PRIOR WRITTEN PERMISSION.

IF IN ANY DOUBT - ASK



REV	SIG	DATE	REVISION	ECN NO.
<p><b>MONO EQUIPMENT</b>            QUEENSWAY            SWANSEA WEST IND PARK            SWANSEA,            SA5 4EB.            TEL: (01792) 581234            FAX: (01792) 581016</p>				
<p><b>TITLE:</b>            P.C.B. OUTPUTS 2 TRAY COLOUR            TWO-WAY FAN            ECO/HALOGEN</p>				
<p><b>ELECTRICAL SPECIFICATIONS:-</b>            DRAWN: RAC            ELECTRICALLY APPROVED BY:-            AT</p>				
<p><b>DATE:</b>            30-11-09  <b>DRAWING NO.</b>            M156E25-75100</p>				
<p><b>REV:</b>            --</p>				

COPYRIGHT © 1998 - THIS DESIGN/DRAWING IS THE PROPERTY OF MONO EQUIPMENT LTD. AND MUST NOT BE REPRODUCED, COPIED, NOR ITS CONTENTS DIVULGED WITHOUT PRIOR WRITTEN PERMISSION.



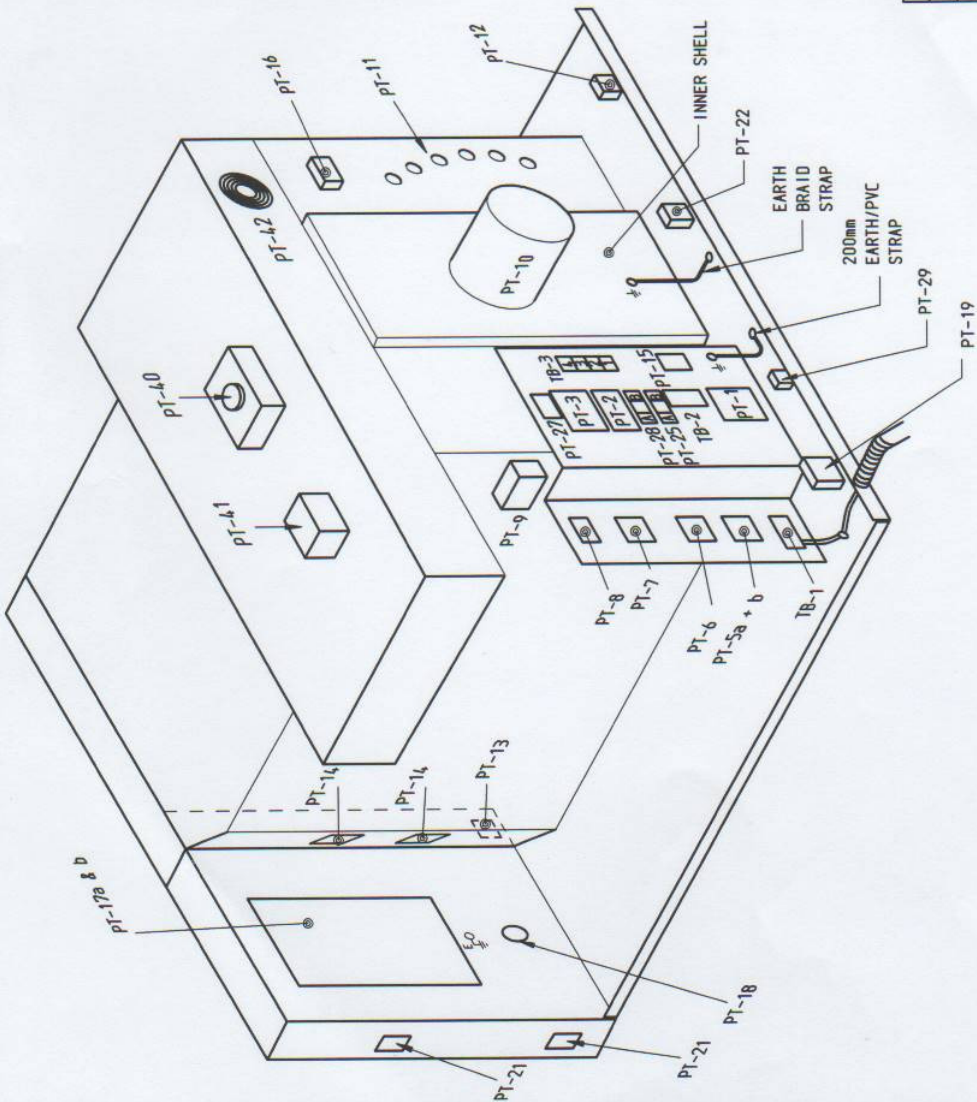
## **FG153/158/159 ECO-TOUCH 4 TRAY**

M159E25-75000	COMPONENTS (159 ONLY)
M159E25-11100	CONTROL CIRCUIT (159 ONLY)
M158E25-75200	COMPONENTS (153/158 ONLY)
M158E25-20700	CONTROL CIRCUIT (153/158 ONLY)
M158E25-71200	PCB CONNECTIONS
M158E25-75300	PCB OUTPUTS
M158E25-01800	POWER CIRCUIT
M158E25-20900	FAN AND ELEMENT WIRING

**FOR ENGINEERS USE ONLY.**  
DO NOT ATTEMPT ANY ALTERATIONS.  
IF IN DOUBT, CONTACT MONO FOR ADVICE

# **SECTION 3**

IF IN ANY DOUBT - ASK



**DRAWING**  
PT-Ref

PT-Ref	DESCRIPTION	MONO PART NUMBER
PT-1	24V DC POWER SUPPLY UNIT	B801-93-005
PT-2a	INTERIOR LIGHT RELAY	B723-37-004
PT-2b	INTERIOR LIGHT RELAY BASE	B723-36-001
PT-3	CONTROL CIRCUIT M.C.B.	B872-22-062
PT-5a	FAN MOTOR OVERLOAD UNIT	B801-03-020
PT-5b	FAN MOTOR OVERLOAD AUXILIARY CONTACT	B801-14-012
PT-6	FAN MOTOR FORWARD CONTACTOR	B801-08-031
PT-7	FAN MOTOR REVERSE CONTACTOR	B801-08-031
PT-8	HEATING ELEMENT CONTACTOR	B801-08-021
PT-9	DAMPER SOLENOID (L/H)	B749-83-003
PT-9	DAMPER SOLENOID (R/H)	B749-83-004
PT-10	FAN MOTOR UNIT	B720-74-005
PT-11	HEATING ELEMENT (240v)	B847-04-068
PT-11	HEATING ELEMENT (220v)	B847-04-073
PT-12	4T WATER INLET ASSY	158-17-00400
PT-13	DOOR SWITCH	B842-07-023
PT-14	INTERIOR LIGHT UNIT	B721-67-011
PT-14B	INTERIOR LIGHT BULB	B857-94-007
PT-15	BUZZER (OPTION)	B723-92-002
PT-16	THERMOCOUPLE	B873-95-002
PT-17a	PCB ASSEMBLY	M158-25-80000
PT-17b	PUSHBUTTON - GREEN	B836-07-004
PT-18	REAR COOLING FAN	B869-75-018
PT-19	USB SOCKET-CABLE	B705-25-001
PT-21	OVERHEAT THERMOSTAT	B888-30-014
PT-22	INTERNAL LIGHT FUSE	B842-85-042
PT-25	FAN FUSE	B842-85-025
PT-27	AUX FUSE	B842-85-039
PT-28	AUX SUPPLY SOCKET	B970-06-001
PT-29	SPEAKER	B842-92-005

**CONDENSER UNIT IF FITTED**

PT-40	THERMOSTAT	B842-30-003
PT-41	WATER SOLENOID	B867-83-011
PT-42	FAN	B842-75-003

REV	SIG	DATE	REVISION	ECN NO.
C	JC	02-05-19	PT-13 WAS B842-07-023	BX-007-18-19
B	JC	27-11-18	PT10 WAS B720-74-001	BX-009-17-18
A	JC	22-1-03	PT-27 AND WIRING FOR REAR FAN UNIT ADDED	1927

**MONO EQUIPMENT**  
QUEENSWAY  
SWANSEA WEST IND PARK  
SWANSEA,  
SAS 4EB.  
TEL: (01792) 561234  
FAX: (01792) 561016

**MONO**

**TITLE:** ELECTRICAL COMPONENTS LAYOUT  
BXC 4-318 OVEN  
ECO/HALOGEN

**DRAWN:** JC/RAC  
**ELECTRICALLY APPROVED BY:-**

**ELECTRICAL SPECIFICATIONS:-**  
380/415V 3PH 50HZ

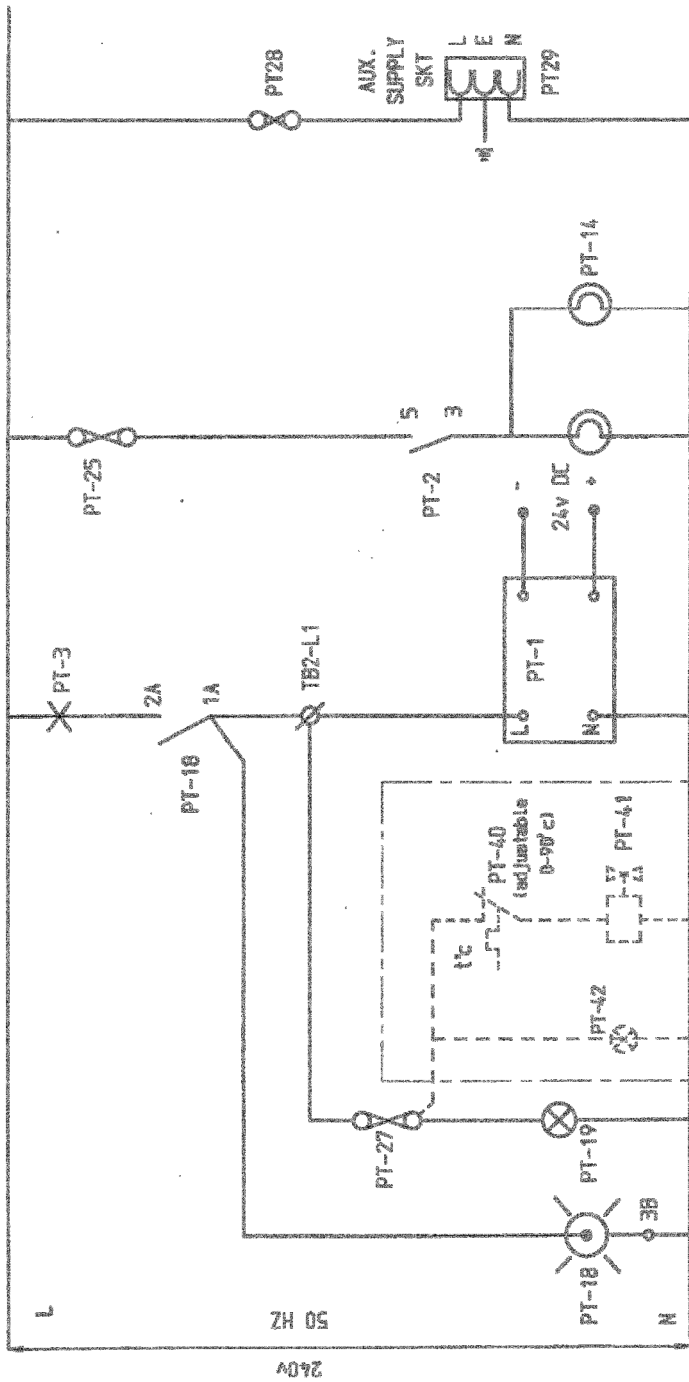
**DATE:** 1-12-09  
**DRAWING NO.** M159E25-75000  
**REV:** C

**CONDENSER UNIT IF FITTED**

PT-40	THERMOSTAT	B842-30-003
PT-41	WATER SOLENOID	B867-83-011
PT-42	FAN	B842-75-003

COPYRIGHT © 1998 - THIS DESIGN/DRAWING IS THE PROPERTY OF MONO EQUIPMENT LTD. AND MUST NOT BE REPRODUCED. COPIED.  
NDR ITS CONTENTS DIVULGED WITHOUT PRIOR WRITTEN PERMISSION.

IF IN ANY DOUBT - ASK



REV	NO	DATE	DESCRIPTION	EON NO.
C	J	27-03-07	PT-28 & 29 ADDED	2946
B	J	22-11-06	PT-18 CHANGED	2329
A	J	29-9-03	SWITCH (PT18) CHANGED	2057

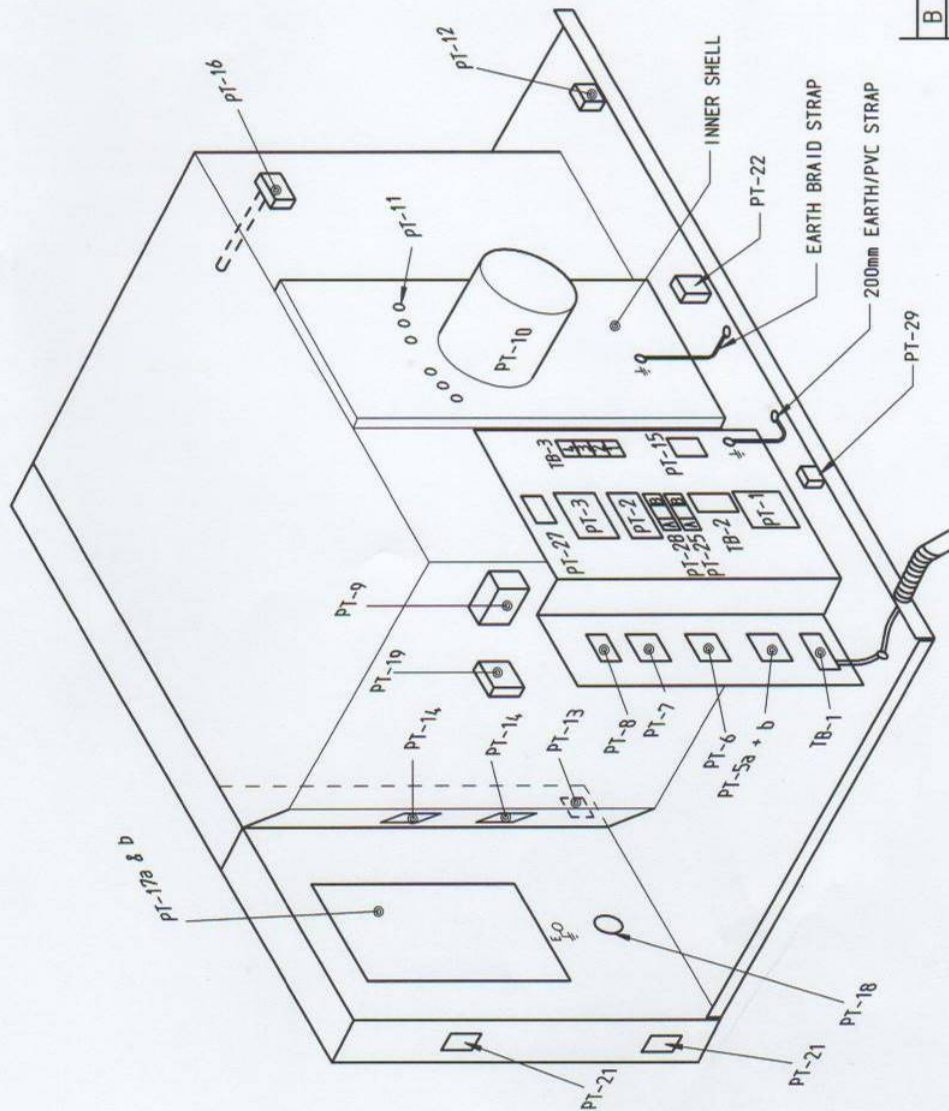
<p><b>MIND EQUIPMENT</b>          100, BANGS ROAD          SINGAPORE 150001          TEL: (673) 87284          FAX: (673) 87476</p>	<p>TITLE  <b>BXC 4 TRAY OVEN          CONTROL CIRCUIT          (WITH CONDENSER IF FITTED)</b></p>
<p>DESIGNED BY  <b>P. BOYLES</b></p>	<p>DRAWN BY  <b>JC</b></p>

<p>SELECTED SPECIFICATIONS:-</p>	<p>DATE  <b>27-1-03</b></p>
<p>DRAWING NO.  <b>R15925-1100</b></p>	<p>REV.  <b>C</b></p>

COPYRIGHT © 1998 - THIS DESIGN/DRAWING IS THE PROPERTY OF MIND EQUIPMENT LTD. AND MUST NOT BE REPRODUCED, COPIED, FOR ITS COMMENTS DIVULGED WITHOUT PRIOR WRITTEN PERMISSION.



IF IN ANY DOUBT - ASK

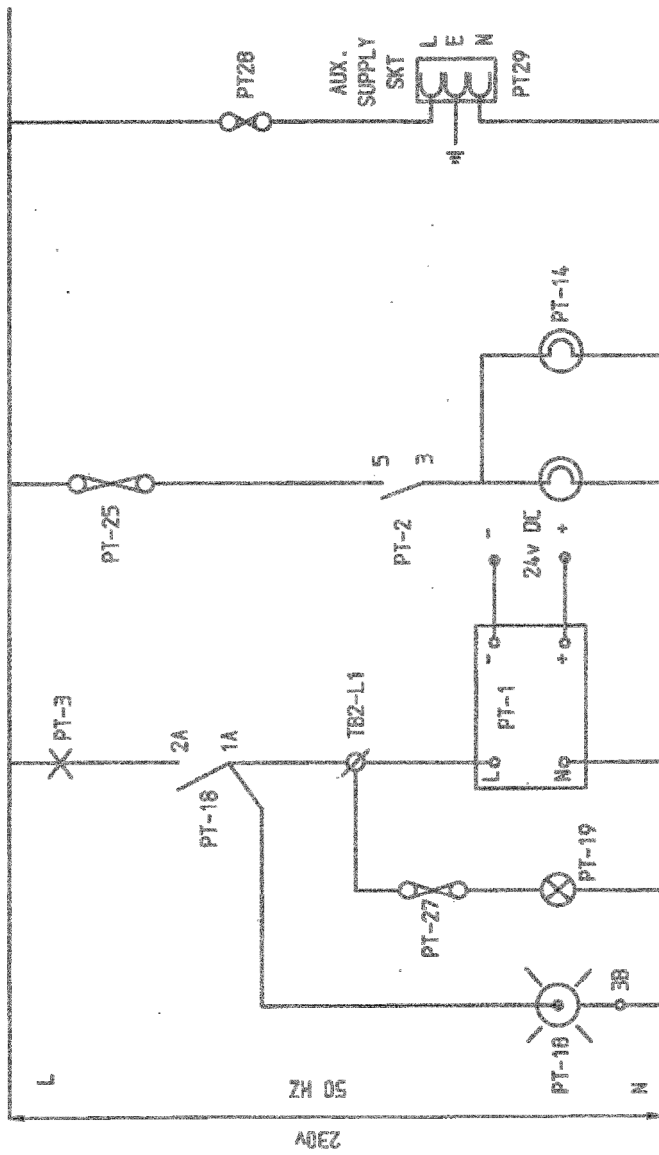


DRAWING PT-Ref	DESCRIPTION	MONO PART NUMBER
PT-1	24V DC POWER SUPPLY UNIT	8801-93-005
PT-2a	INTERIOR LIGHT RELAY	8723-37-004
PT-2b	INTERIOR LIGHT RELAY BASE	8723-36-001
PT-3	CONTROL CIRCUIT M.C.B.	8872-22-062
PT-5a	FAN MOTOR OVERLOAD UNIT	8801-03-020
PT-5b	FAN MOTOR OVERLOAD AUXILIARY CONTACT	8801-14-012
PT-6	FAN MOTOR FORWARD CONTACTOR	8801-08-031
PT-7	FAN MOTOR REVERSE CONTACTOR	8801-08-031
PT-8	HEATING ELEMENT CONTACTOR	8801-08-021
PT-9	DAMPER SOLENOID (L/H)	{ 8749-83-003
PT-9	DAMPER SOLENOID (R/H)	{ 8749-83-004
PT-10	FAN MOTOR UNIT	8720-74-005
PT-11	HEATING ELEMENT (240v)	8847-04-067
PT-11	HEATING ELEMENT (220v)	8847-04-074
PT-12	4T WATER INLET ASSY	158-17-00400
PT-13	DOOR SWITCH	8842-07-037
PT-14a	INTERIOR LIGHT UNIT	8721-67-011
PT-14b	INTERIOR LIGHT BULB	8857-94-007
PT-15	BUZZER (OPTION)	8723-92-002
PT-16	THERMOCOUPLE	8873-95-002
PT-17a	PCB ASSEMBLY	M158-25-80000
PT-17b		
PT-18	PUSHBUTTON-GREEN-LATCHING	8836-07-004
PT-19	REAR COOLING FAN	8869-75-018
PT-21	DATA LINK SOCKET-CABLE	8705-25-005
PT-22	OVERHEAT THERMOSTAT	8888-30-014
PT-25	INTERNAL LIGHT FUSE	8842-85-042
PT-27	FAN FUSE	8842-85-025
PT-28	AUX FUSE	8842-85-039
PT-29	AUX SUPPLY SOCKET	8970-06-001
PT-30	SPEAKER	8842-92-005

B	JC	02-05-19	PT-13 WAS B842-07-023	BX-007-18-19
A	JC	27-11-18	PT-10 WAS B720-74-001	BX-007-18-19
REV	SIG	DATE	REVISION	ECN NO.
<b>MONO EQUIPMENT</b> QUEENSWAY SWANSEA WEST IND PARK SWANSEA, SA5 4EB. TEL: (01792) 561234 FAX: (01792) 561016				
<b>TITLE:</b> ELECTRICAL COMPONENTS LAYOUT BXC 4 TRAY OVEN ECO/HALOGEN				
<b>ELECTRICAL SPECIFICATIONS:-</b> 380/415V 3PH 50HZ				
<b>DRAWN:</b> JC/RAC <b>ELECTRICALLY APPROVED BY:-</b>				
<b>DATE:</b> 1-12-09				<b>DRAWING NO.:</b> M158E25-75200
				<b>REV:</b> B

REV	SIG	DATE	REVISION	ECN NO.
COPYRIGHT © 1998 - THIS DESIGN/DRAWING IS THE PROPERTY OF MONO EQUIPMENT LTD. AND MUST NOT BE REPRODUCED, COPIED, NOR ITS CONTENTS DIVULGED WITHOUT PRIOR WRITTEN PERMISSION.				

IF IN ANY DOUBT - ASK



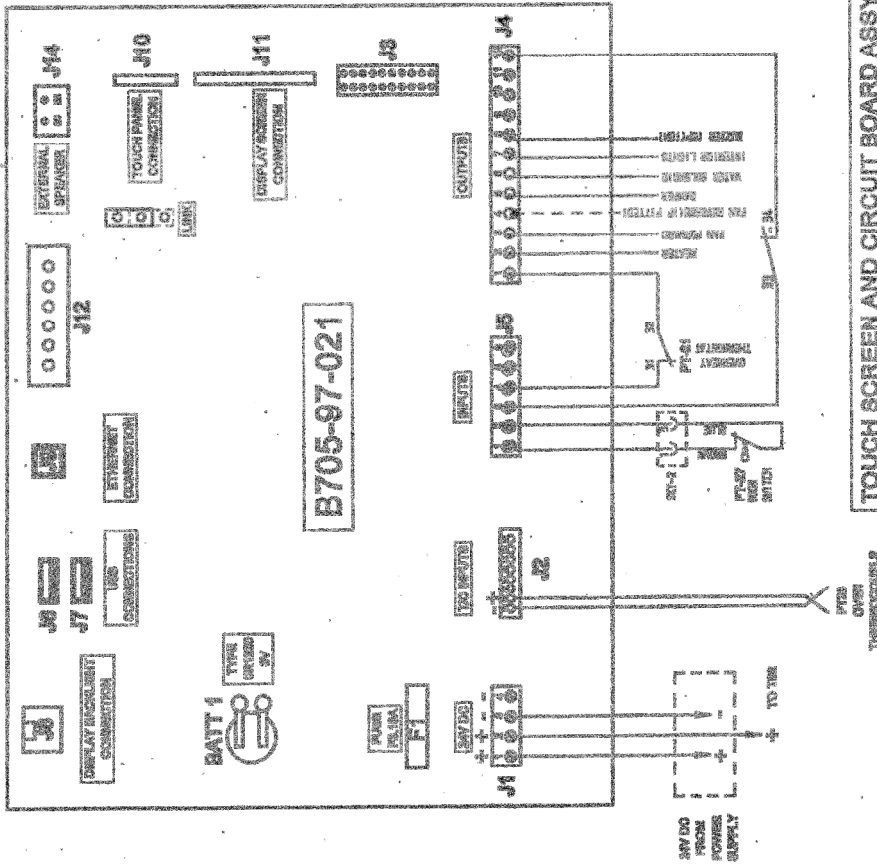
REV	NO	DATE	REVISION	ECH NO.
D	JC	27-05-07	PT-28 & 29 ADDED	2946
C	JC	22-11-04	PT-18 CHANGED	2329
B	JC	25-9-03	SWITCH (PT-18) CHANGED	2057
A	JC	22-1-03	ADD WIRING FOR REAR FAN UNIT	1927

**PROLOG**  
 ELECTRICAL ENGINEERS  
 1000 WEST 100 PARK  
 SUITE 100  
 SHAWANNA, WYOMING 82124  
 TEL: (307) 874-2244  
 FAX: (307) 874-2245  
 ELECTRICAL ENGINEERS

TITLE: BX 4 TRAY OVEN CONTROL CIRCUIT  
 DRAWN: JC  
 ELECTRICALLY APPROVED BY: P. BOYLES  
 DATE: 14/12/01  
 DRAWING NO: M158E25-20700

COPYRIGHT © 1998 - THIS DESIGN/DRAWING IS THE PROPERTY OF FORD EQUIPMENT LTD. AND MUST NOT BE REPRODUCED, COPIED, OR ITS CONTENTS DIVULGED WITHOUT PRIOR WRITTEN PERMISSION.

IF IN ANY DOUBT - ASK

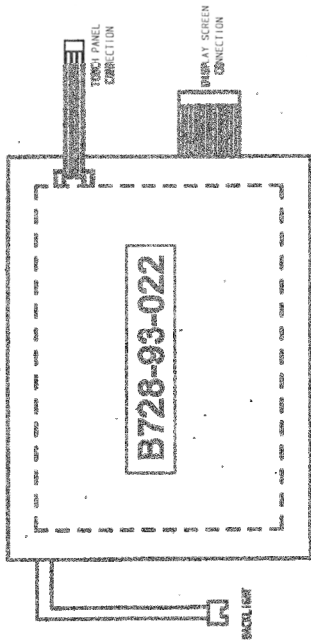


**TOUCH SCREEN AND CIRCUIT BOARD ASSY**  
**MONO STOCK No. M158-25-60000**  
 CONSISTING OF:  
 M158-25-12500 PANEL MOUNTING PLATE  
 B728-09-022 TOUCH SCREEN  
 B705-07-021 CIRCUIT BOARD

USB CABLE PT No B705-25-007

COPYRIGHT © 1998 - THIS DESIGN/DRAWING IS THE PROPERTY OF ROND EQUIPMENT LTD. AND MUST NOT BE REPRODUCED, COPIED, OR  
 FOR ITS CONTENTS DIVULGED WITHOUT PRIOR WRITTEN PERMISSION.

**DISPLAY SCREEN WITH TOUCH PANEL**



**VIEW FROM REAR**

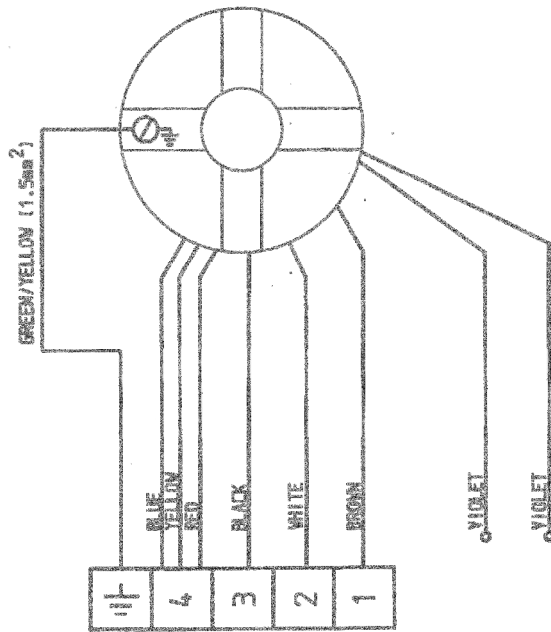
REV	ISS	DATE	DESCRIPTION	ECN NO.
			<b>TITILE</b> ECO TOUCH MAIN PCB/SCREEN LAYOUT (TOUCAN) 4 TRAY <b>DESIGNED BY</b> RAC <b>ELECTRICALLY APPROVED BY:</b> AT <b>DATE</b> 19/11/99 <b>ISSUING R/L</b> M158E25-71200 <b>REV:</b> --	
			<b>DESIGNED BY</b> RAC <b>DATE</b> 19/11/99 <b>ISSUING R/L</b> M158E25-71200 <b>REV:</b> --	





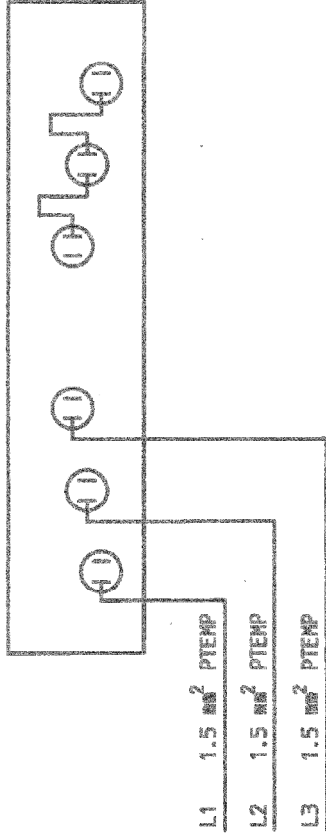


IF IN ANY DOUBT - ASK



FAN MOTOR CONNECTIONS

PT11



HEATING ELEMENT WIRING

REV	DR	DATE	REVISION	ECN NO.
<b>MOJO EQUIPMENT</b> 11, SHARADA WESTING PARK SHARADA, BANGALORE 560 025, KARNATAKA INDIA TEL: 011 2620 8200 FAX: 011 2620 8200			TITLE: FAN MOTOR CONNECTIONS & HEATING ELEMENT WIRING & TRAY OVEN / COLOUR DISPLAY	
ELECTRICAL OPERATIONS-			DESIGNER: JC	ELECTRICALLY APPROVED BY: P. BOYLES
4.15V 3PH 50HZ			DATE: 14-12-01	REV: -
			DRAWN BY: M158E25-20900	

COPYRIGHT © 1998 - THIS DESIGN/DRAWING IS THE PROPERTY OF MOJO EQUIPMENT LTD. AND MUST NOT BE REPRODUCED, COPIED, NOR ITS CONTENTS DIVULGED WITHOUT PRIOR WRITTEN PERMISSION.

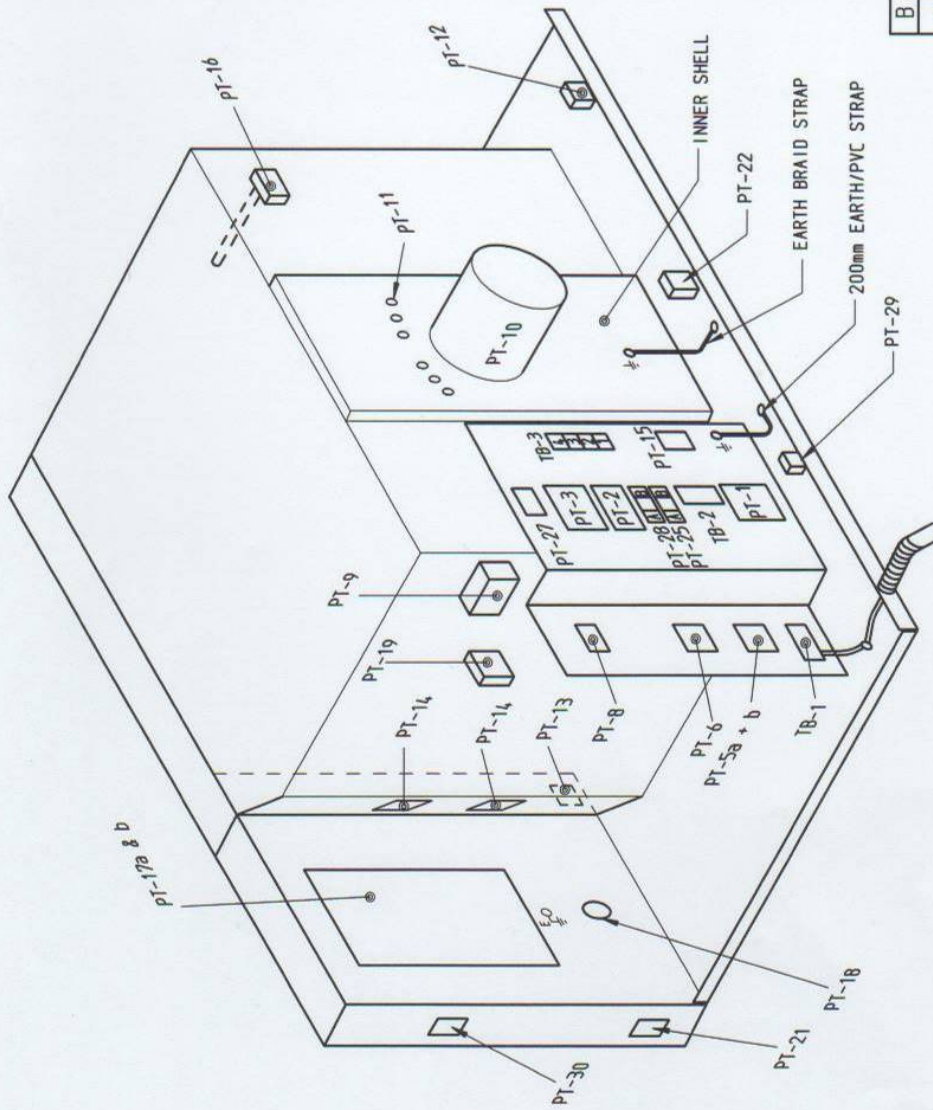
## **FG158 4 TRAY 1 phase**

M158E25-75400	COMPONENTS
M158E25-71200	PCB CONNECTIONS
M158E25-20700	CONTROL CIRCUIT
M158E25-75500	PCB OUTPUTS
M158E25-51300	POWER CIRCUIT
M158E25-52200	FAN AND ELEMENT WIRING

**FOR ENGINEERS USE ONLY.  
DO NOT ATTEMPT ANY ALTERATIONS.  
IF IN DOUBT, CONTACT MONO FOR ADVICE**

# **SECTION 4**

IF IN ANY DOUBT - ASK



DRAWING PT-Ref	DESCRIPTION	MONO PART NUMBER
PT-1	24V DC POWER SUPPLY UNIT	B801-93-005
PT-2a	INTERIOR LIGHT RELAY	B723-37-004
PT-2b	INTERIOR LIGHT RELAY BASE	B723-36-001
PT-3	CONTROL CIRCUIT M.C.B.	B872-22-062
PT-5a	FAN MOTOR OVERLOAD UNIT	B801-03-020
PT-5b	FAN MOTOR OVERLOAD AUXILIARY CONTACT	B801-14-012
PT-6	FAN MOTOR CONTACTOR	B801-08-031
PT-8	HEATING ELEMENT CONTACTOR	B801-08-021
PT-9	DAMPER SOLENOID (L/H)	{B749-83-001
	DAMPER SOLENOID (R/H)	{B749-83-002
PT-10	FAN MOTOR UNIT	B720-74-005
* PT-11	HEATING ELEMENT (240v)	B847-04-067
* PT-12	HEATING ELEMENT (220v)	B847-04-074
PT-13	4T WATER INLET ASSY	158-17-00400
PT-14a	DOOR SWITCH	B842-07-023
PT-14b	INTERIOR LIGHT UNIT	B721-67-011
PT-15	INTERIOR LIGHT BULB	B857-94-007
PT-16	BUZZER (OPTION)	B723-92-002
PT-17a	THERMOCOUPLE	B873-95-002
PT-17b	PCB ASSEMBLY	M158-25-80000
PT-18	PUSHBUTTON-GREEN-LATCHING	B836-07-004
PT-19	REAR COOLING FAN	B869-75-018
PT-21	USB SOCKET-CABLE	B705-25-007
PT-22	OVERHEAT THERMOSTAT	B888-30-014
PT-25	INTERNAL LIGHT FUSE	B842-85-042
PT-27	FAN FUSE	B842-85-025
PT-28	AUX FUSE	B842-85-039
PT-29	AUX SUPPLY SOCKET	B970-06-001
PT-30	SPEAKER	B842-92-005

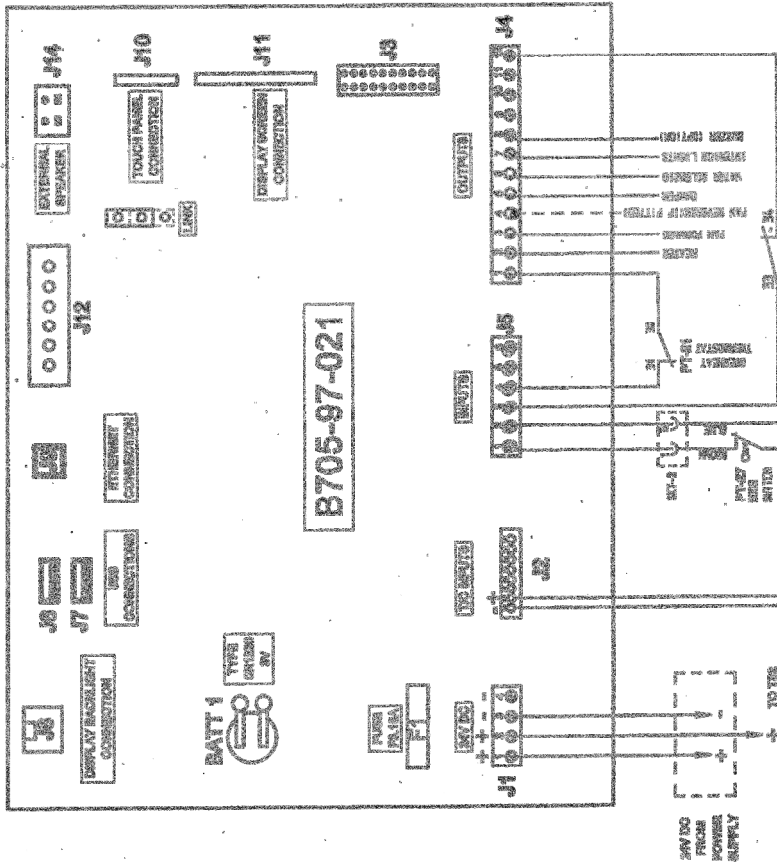
REV	SIG	DATE	REVISION	ECN NO.
B	JC	02-05-19	PT-13 WAS B842-07-023	BX-007-18-19
A	JC	27-11-18	PT10 WAS B720-74-001	BX-009-18-19

 MONO EQUIPMENT QUEENSWAY SWANSEA WEST IND PARK SWANSEA, SA5 4EB. TEL: (01792) 561234 FAX: (01792) 561016	TITLE: ELECTRICAL COMPONENTS LAYOUT BXC 4 TRAY OVEN ECO/HALOGEN DRAWN: JC/RAC ELECTRICALLY APPROVED BY:-
ELECTRICAL SPECIFICATIONS:- 230V 1PH 50Hz	DATE: 1-12-09 DRAWING NO. M158E25-75400 REV: B

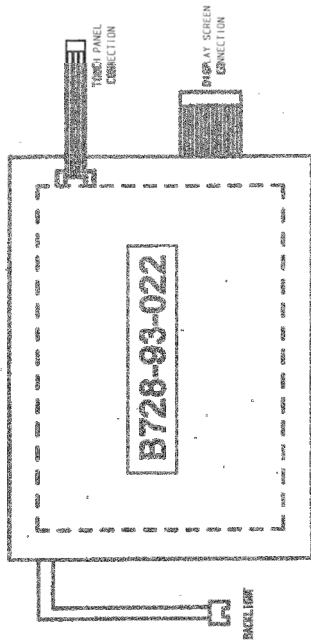
COPYRIGHT © 1998 - THIS DESIGN/DRAWING IS THE PROPERTY OF MONO EQUIPMENT LTD. AND MUST NOT BE REPRODUCED. COPIED, NOR ITS CONTENTS DIVULGED WITHOUT PRIOR WRITTEN PERMISSION.

IF IN ANY DOUBT - ASK



B705-97-021

DISPLAY SCREEN WITH TOUCH PANEL



VIEW FROM REAR

B728-83-022

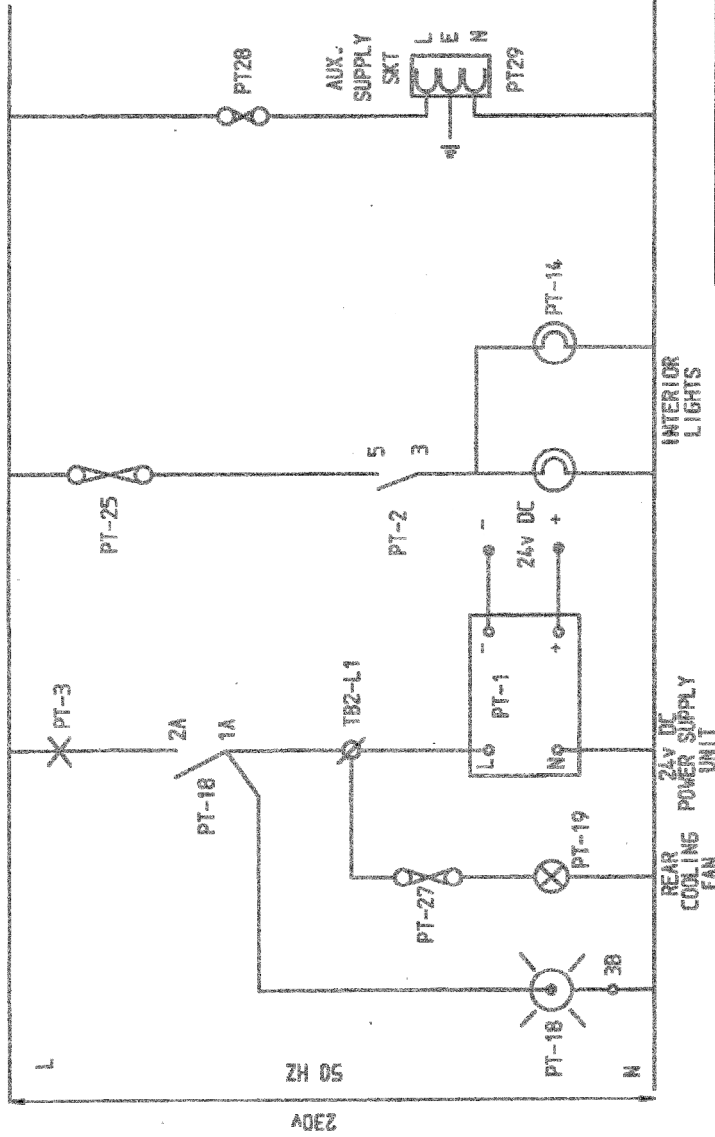
**TOUCH SCREEN AND CIRCUIT BOARD ASSY**  
**MONO STOCK No. M158-25-80000**  
 CONSISTING OF:  
 M158-25-12500 PANEL MOUNTING PLATE  
 B728-83-022 TOUCH SCREEN  
 B705-07-021 CIRCUIT BOARD

USB CABLE PT No B705-25-007

COPYRIGHT © 1998 - THIS DESIGN/DRAWING IS THE PROPERTY OF HORD EQUIPMENT LTD. AND MUST NOT BE REPRODUCED, COPIED, FOR ITS CONTENTS DIVULGED WITHOUT PRIOR WRITTEN PERMISSION.

REV	NO	DATE	DESCRIPTION	ECN NO.
1	001	19/11/09	ISSUED FOR PRODUCTION	
<b>ECO TOUCH</b> <b>MAIN PCB/SCREEN LAYOUT</b> <b>(TOUCAN)</b> <b>4 TRAY</b>				
DRAWING ELECTRICALLY APPROVED BY: <b>RAC</b>				
DATE: <b>19/11/09</b> DRAWING NO.: <b>M158E25-71200</b>				
REV: ---				

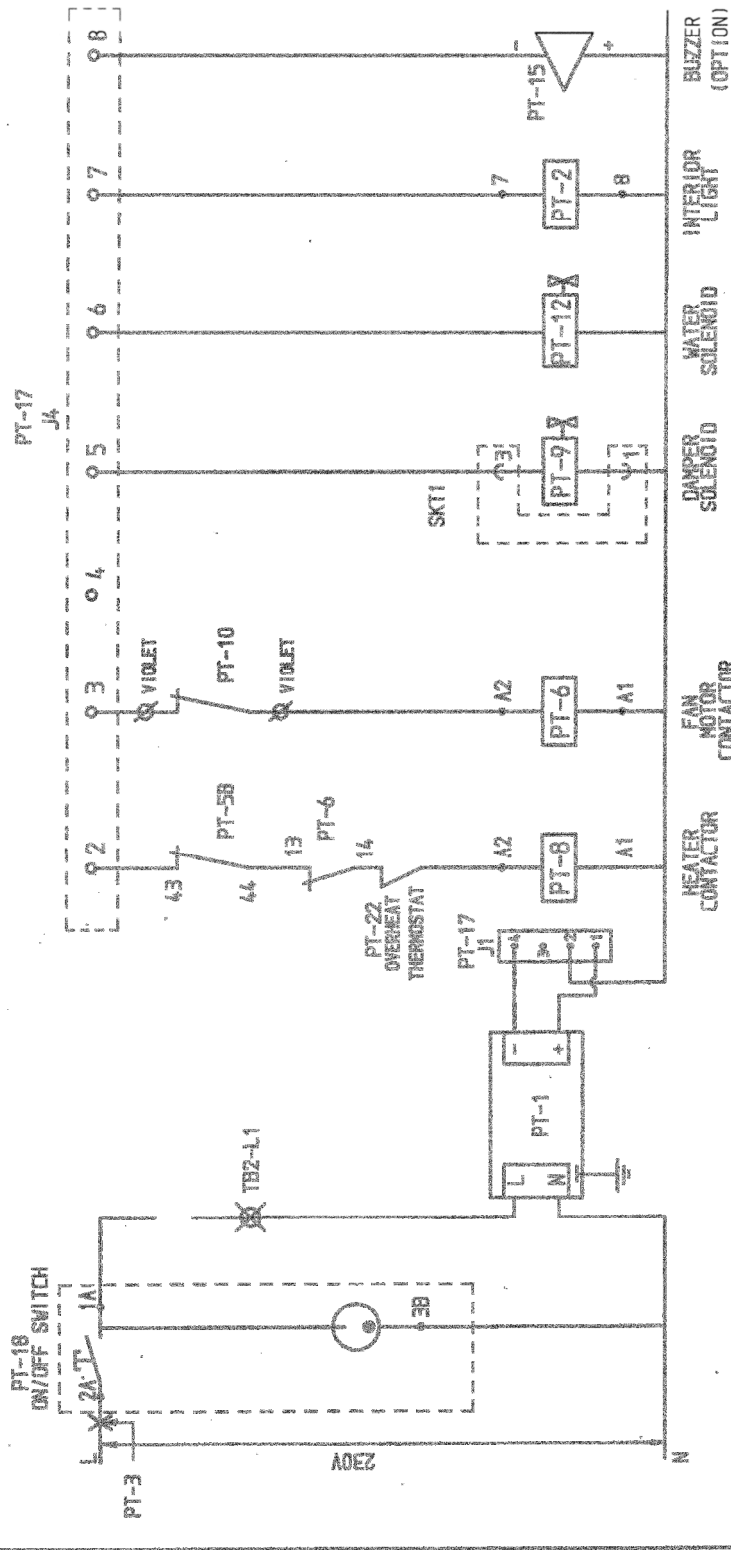
IF IN ANY DOUBT - ASK



D	JC	27-03-07	PT-28 & 29 ADDED	2946
C	JC	22-11-04	PT-18 CHANGED	2329
B	JC	25-9-03	SWITCH (PT-18) CHANGED	2057
A	JC	22-1-03	ADD WIRING FOR REAR FAN UNIT	1927
REV	NO	DATE	REVISION	ECN NO.
			TITLE: BX & TRAY OVEN CONTROL CIRCUIT	
MOTOR EQUIPMENT SWANSEA GREAT BRD PARK SWANSEA, GAB GBR. TEL: 01792 801284 FAX: 01792 801616			DRAWN: ELECTRICALLY APPROVED BY: P. BOYLES	
SUBSTITUTION SPECIFICATIONS:			DATE: 16/12/01	
DRAWING NO: H150E25-20700			REV: D	

COPYRIGHT © 1998 - THIS DESIGN/DRAWING IS THE PROPERTY OF MOTOR EQUIPMENT LTD. AND MUST NOT BE REPRODUCED, COPIED, OR ITS CONTENTS DIVULGED WITHOUT PRIOR WRITTEN PERMISSION.

IF IN ANY DOUBT - ASK

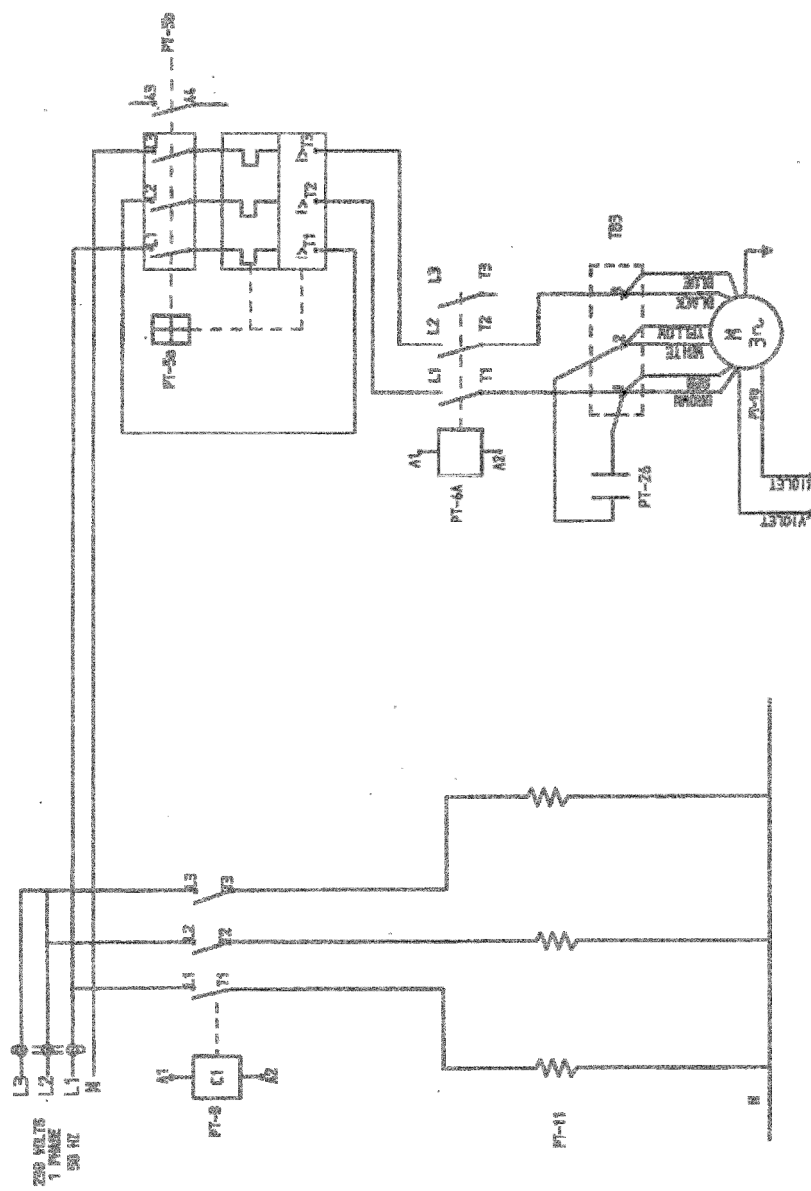


REV	NO	DATE	REVISION	ECH NO.
<p>THIS DRAWING IS THE PROPERTY OF ARMS EQUIPMENT LTD. AND MUST NOT BE REPRODUCED, COPIED, OR ITS CONTENTS DIVULGED WITHOUT PRIOR WRITTEN PERMISSION.</p>			<p>230V 1PH/50Hz</p>	
<p>TELE: 02753 88304 FAX: 02753 88305</p>			<p>DATE: 1-12-09</p>	
<p>DESIGNED BY: J.C./RAC</p>			<p>APPROVED BY: A. THOMAS</p>	
<p>TITLE: BXC 4 TRAY OVEN PCB OUTPUTS</p>			<p>DRAWING NO: M158E25-75500</p>	

HEATER CONTACTOR  
FAN MOTOR CONTACTOR  
DANGER SOLENOID  
WATER SOLENOID  
INTERIOR LIGHT  
BUZZER (OPTION)



IF IN ANY DOUBT - ASK



REV	DATE	BY	DATE	DESCRIPTION	ECN NO.
A	JC	27-03-07	PT-22 REMOVED		2946
TITLE		POWER CIRCUIT DIAGRAM 4 TRAY CLASSIC/COLOR ONE WAY FAN ROTATING OVEN WITH STANDARD FAN IMPELLER			
DRAWN		J.C.			
DATE		12-7-99			
DRAWING NO.		MYSBE25-51300			
REV.		A			

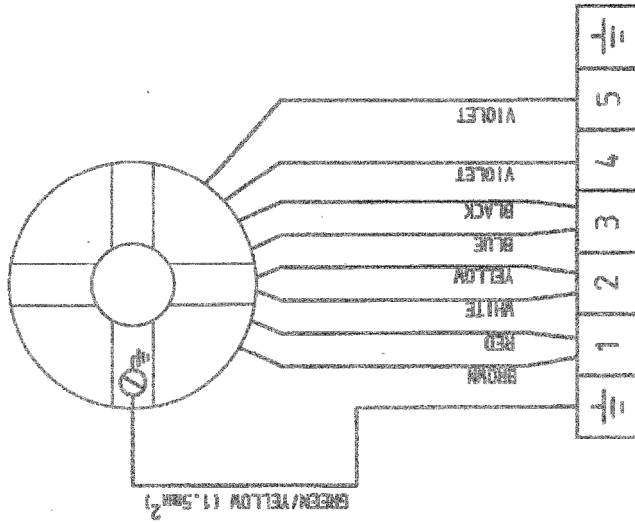
230V 1PH 50Hz

REPRODUCED BY PERMISSION OF  
INDIAN ELECTRIC COMPANY  
CHANDIGARH WEST INDIA  
INDIA  
TEL: 01720 812324  
FAX: 01720 812118  
ELECTRICAL SPECIFICATIONS:-

IF IN ANY DOUBT - ASK

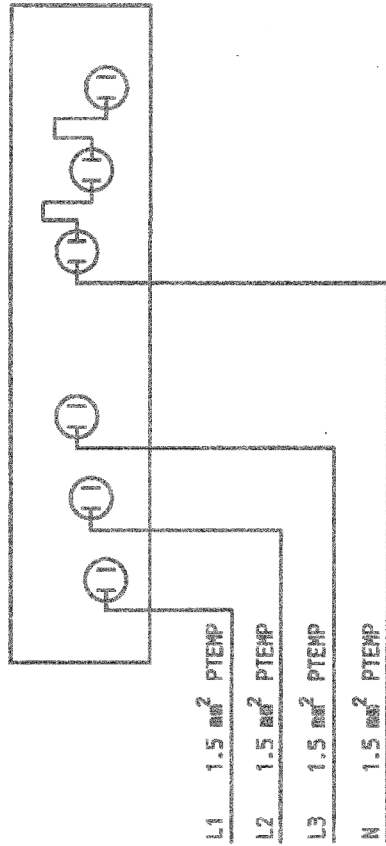
THIS DESIGN/DRAWING IS THE PROPERTY OF FORD EQUIPMENT LTD. AND MUST NOT BE REPRODUCED, COPIED,  
FOR ITS CONTENTS DIVULGED WITHOUT PRIOR WRITTEN PERMISSION.

IF IN ANY DOUBT - ASK



FAN MOTOR CONNECTIONS

PT11



HEATING ELEMENT WIRING

REV	NO	DATE	REVISION	ECN NO.
			FAN MOTOR CONNECTIONS & HEATING ELEMENT WIRING & TRAY CLASSIC/COLOR ONE WAY FAN ROTATING OVEN	
			DRWING JC	
			230V 1PH 50Hz	
			ELECTRICALLY APPROVED BY: P. BOYLES	
			DATE: 15-7-99	
			DRAWING NO: M156E25-5200	
			REV: —	

COPYRIGHT © 1998 - THIS DESIGN/DRAWING IS THE PROPERTY OF HIND EQUIPMENT LTD. AND MUST NOT BE REPRODUCED, COPIED, FOR ITS CONTENTS DIVULGED WITHOUT PRIOR WRITTEN PERMISSION.