

www.monoequip.com

Enter **Serial No.** here. _____

In the event of an enquiry please quote this serial number.



OPERATING AND MAINTENANCE MANUAL TWIN SHEETING ROLLER MODEL MONO MULTI MOULDER

SAFETY SYMBOLS

The following safety symbols are used throughout this product documentation and manual (available at www.monoequip.com).

Before using your new equipment, read the instruction manual carefully and pay special attention to information marked with the following symbols.



WARNING

Indicates a hazardous situation which, if not avoided, will result in death or serious injury.



WARNING

Indicates a hazardous situation which, if not avoided, will result in electric shock.



CAUTION

Indicates a hazardous situation which, if not avoided, will result in minor or moderate injury.

ELECTRICAL SAFETY AND ADVICE REGARDING SUPPLEMENTARY ELECTRICAL PROTECTION:

Commercial bakeries, kitchens and foodservice areas are environments where electrical appliances may be located close to liquids or operate in and around damp conditions or where restricted movement for installation and service is evident.

The installation and periodic inspection of the appliance should only be undertaken by a qualified, skilled and competent electrician, and connected to the correct supply suitable for the load as stipulated by the appliance data label.

The electrical installation and connections should meet the necessary requirements of the local electrical wiring regulations and any electrical safety guidelines.

We Recommend:

- Supplementary electrical protection with the use of a residual current device (RCD)
- Fixed wiring appliances incorporate a locally situated switch disconnector to connect to, which is easily accessible for switching off and safe isolation purposes. The switch disconnector must meet the specification requirements of IEC 60947.



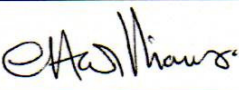
The supply to this machine must be protected by a **30mA RCD**



DECLARATION OF CONFORMITY

We hereby declare that this machine complies with the essential health and safety requirements of :-

- The Machinery Directive 2006 / 42 / EC
- The Low voltage Directive 2014 / 35/ EC
- The requirements of the Electromagnetic Compatibility Directive 2004 / 108EC, 91 / 263 / EEC, 92 / 31 / EEC
Incorporating standards
EN55014-1:2006+A1:2009+A2:2011
EN55014-2:1997+A1:2001+A2:2008
- The General Safety of Machinery and food processing Standards applicable
- Materials and Articles intended to come into contact with food Regulation (EC) No. 1935 / 2004

Signed	
G.A.Williams – Quality Manager	

Date	
-------------	--

Machine FG Code.		Machine Serial No.	
-----------------------------	--	-------------------------------	--

A technical construction file for this machine is retained at the following address:

MONO EQUIPMENT
Queensway,
Swansea West Industrial Park,
Swansea
SA5 4EB
UK

MONO EQUIPMENT is a business name of **AFE GROUP Ltd**
Registered in England No.3872673 VAT registration No.923428136

Registered office: Unit 9, Bryggen Road,
North Lynn Industrial Estate,
Kings Lynn,
Norfolk,
PE30 2HZ

INDEX

- 1.0 Introduction**
- 2.0 Dimensions**
- 3.0 Specifications**
- 4.0 Safety**
- 5.0 Installation**
- 6.0 Isolation**
- 7.0 Cleaning Instructions**
- 8.0 Operating conditions**
- 9.0 General remarks – machine moulding of dough**
- 10.0 OPERATING INSTRUCTIONS**
 - Primary adjustments
 - Sheeting gap
 - Moulding pressure
 - Starting
- 11.0 Maintenance**
 - Moulding belt adjustment
 - Drive belt adjustment
- 12.0 MOULDER WILL NOT START**
- 13.0 Service**
- 14.0 Spares**
- 15.0 Electrical diagrams**

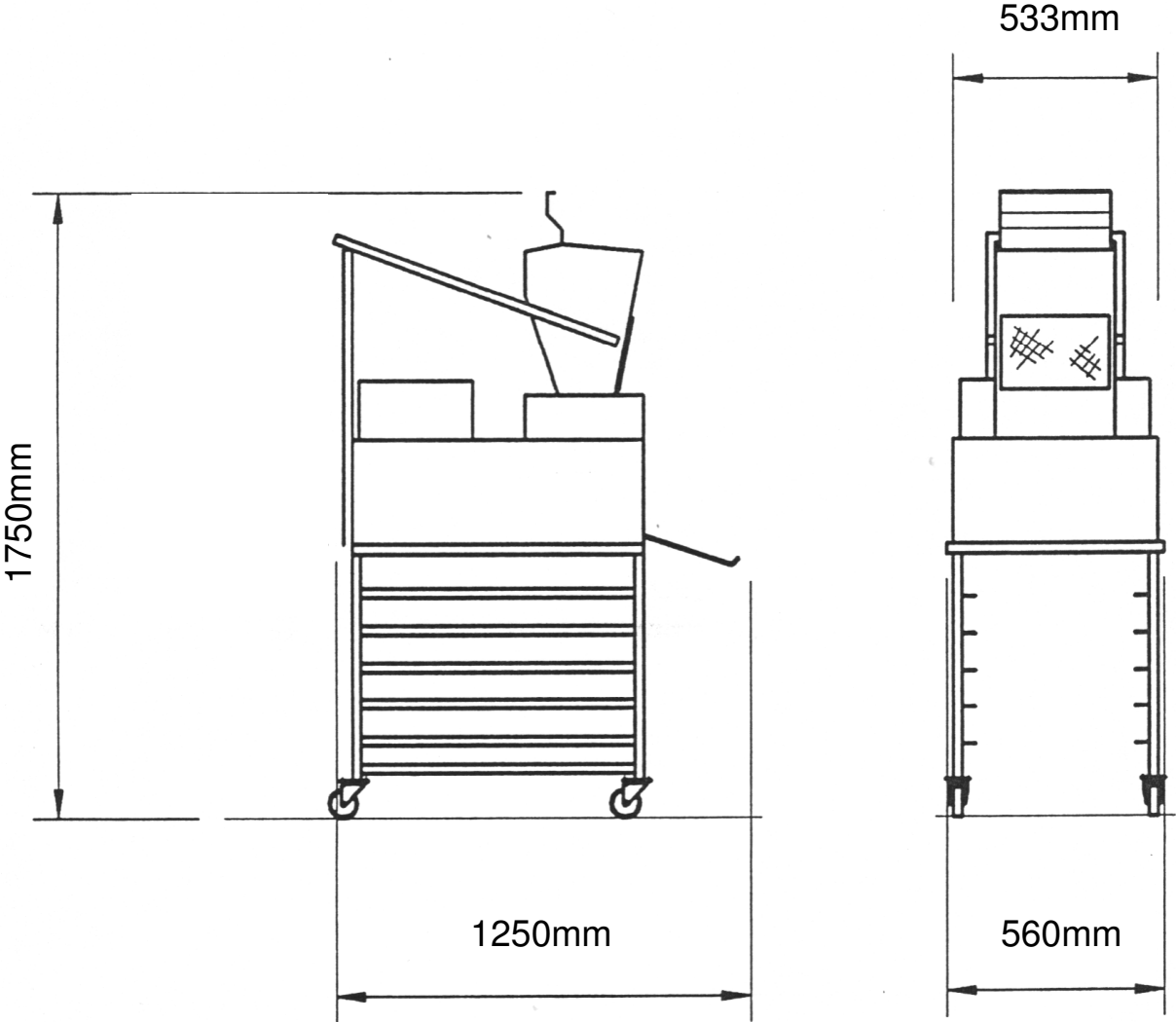
1.0 INTRODUCTION

The Multi Moulder will process up to 1200 dough pieces an hour, but will still treat your dough gently, giving a tight mould with no tails.



This versatile moulder will shape all oven bottom and tin bread to a standard that will please the most fastidious baker, and is easily adjustable for sheeting pressure, moulding width and moulding pressure.

2.0 DIMENSIONS



Height: 1750mm

Width: 560mm

Length: 1250mm

3.0 SPECIFICATIONS

Electric: 380v / 415v ,3 phase ,neutral,50/60Hz
1.7 Amps per phase , 0.55kW.



The supply to this machine must be protected by a **30mA RCD**

Weight: 168kg.

Noise Level: Less Than 85 dB.

Output: up to 1200 dough pieces an hour

4.0 SAFETY



ALL CLEANING AND MAINTENANCE OPERATIONS MUST BE MADE WITH THE MACHINE DISCONNECTED FROM THE POWER SUPPLY



1 Never use a machine in a faulty condition and always report any damage.

2 No-one under the age of 16 may operate this machine.

3 No-one under the age of 18 may clean this machine under any circumstances.

4 Only trained personnel may remove any part from this machine that requires a tool to do so.



5 Always ensure hands are dry before touching any electrical appliance (including cable, switch and plug).

6 All operatives must be fully trained.

7 People undergoing training on the machine must be under direct supervision.



8 Do not operate the machine with any panels removed.

9 All guards must be fixed in place with bolts or screws unless protected by a safety switch.

10 No loose clothing or jewellery to be worn while operating the machine.

11 Switch off power at the mains isolator when machine is not in use and before carrying out any cleaning or maintenance.

12 The Bakery Manager or the Bakery Supervisor must carry out daily safety checks on the machine

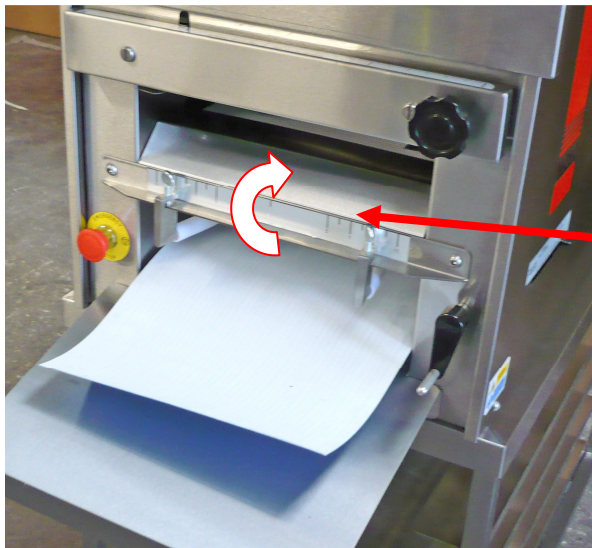
INSTALLATION

- 1 The Multi Moulder should be connected to a mains wall isolator.



The supply to this machine must be protected by a **30mA RCD**

- 2 When installing machines with 3 phase electrics check :-
At the discharge end of the machine the upper belt surface should travel back into the machine - see *direction of arrow in photograph*.
If belt direction is incorrect, change any two of the three phase wires in the plug and check travel again.



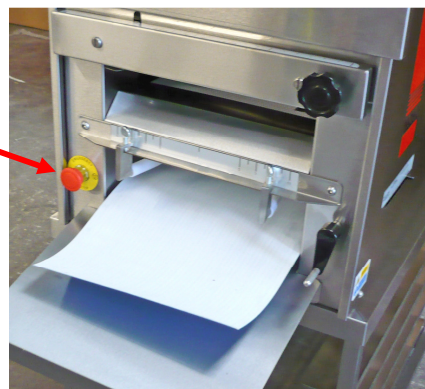
CHECK THE DIRECTION OF THE
MOULDING BELT TRAVEL
BEFORE COMMENCING
PRODUCTION

- 3 Ensure machine is standing on a solid level floor

6.0 ISOLATION

To stop the multi moulder in an emergency, switch off at the wall isolator or at the machine's emergency stop button.(Twist to release)

**EMERGENCY STOP
BUTTON**



7.0 CLEANING INSTRUCTIONS



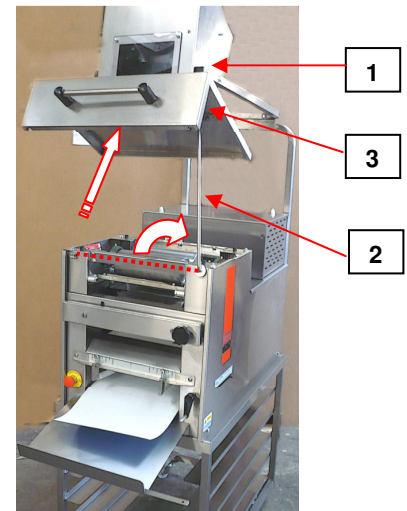
NOTE:- SWITCH OFF AND ISOLATE FROM THE MAINS SUPPLY BEFORE COMMENCING ANY CLEANING.

Daily cleaning

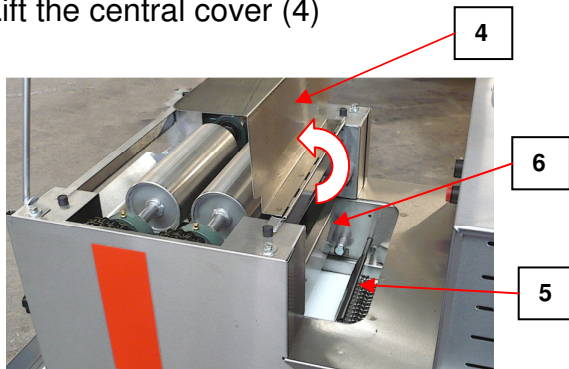
- 1 Scrape off any dough residue with a plastic scraper.
- 2 Wipe over perspex window on hopper with cloth dampened in approved sterilising solution and hot water.



- 3 Lift hopper / top sheet assembly (1) and support with prop bar (2). Ensure that the bar is fully inserted in the holding tube (3). BEWARE THAT THE TOP SHEET ASSEMBLY IS HEAVY.

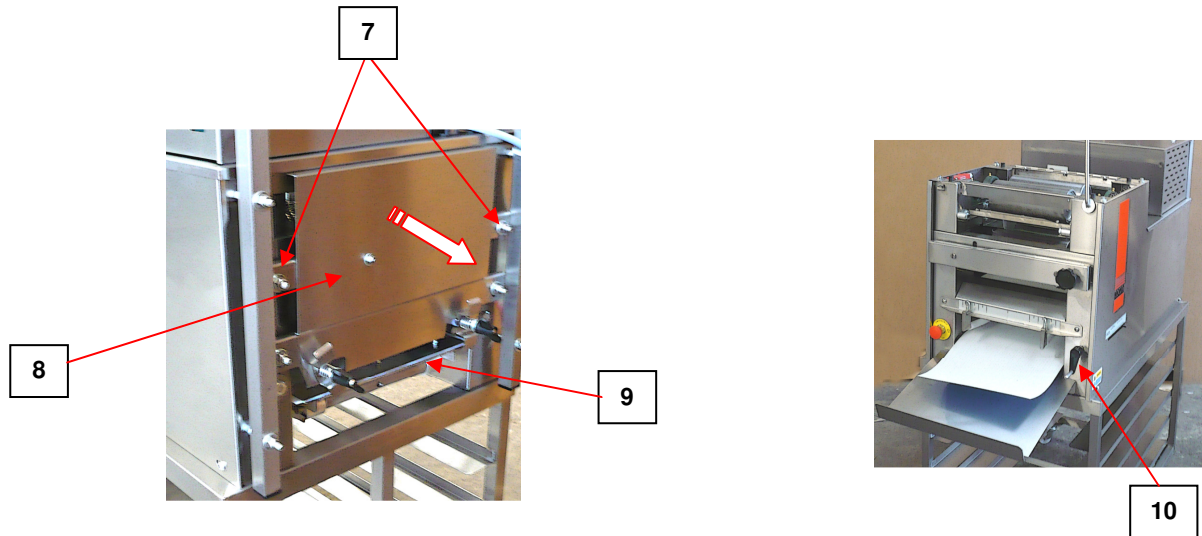


- 4 Lift the central cover (4)



- 5 Lift out curling chain (5) and shake off any dough residue, then brush with a stiff nylon brush. **DO NOT WASH.**
- 6 Replace chain.
- 7 Unclip and wipe scrapers (6) clean. **DO NOT WASH.** Smear edges with vegetable oil.
- 8 Scrape rollers with **plastic scraper** and remove any debris around roller edges.
- 9 Replace scrapers.

- 10 Unscrew rear panel nuts (7) using a spanner and remove rear panel (8). Clean belting on panel and remove any debris from around belt edges on machine.
- 11 Replace rear panel ensuring belting is correctly positioned before tightening nuts (7).



- 12 Remove pressure board (9) by winding handle (10) to move the board to its lowest position. Lift it out of its slots and slide the board out from the front of machine. Wash board in solution of sterilising solution and hot water. Dry thoroughly.



- 13 Close central cover and top assembly. **BEWARE THIS IS HEAVY.**
- 14 Scrape dough belt with a **plastic scraper**. **DO NOT USE A METAL SCRAPER.** The belt will have to be inched forward by turning the machine on and off to gain access to all parts of the surface.
- 15 Brush down external surfaces of machine and clean with sterilising solution and hot water. Pay particular attention to handles, levers and controls.

8.0 OPERATING CONDITIONS ---

For best results the Multi Moulder should be used on a solid, level floor and all operating and cleaning instructions should be followed meticulously.

9.0 GENERAL REMARKS REGARDING MACHINE MOULDING OF DOUGH.

Where dough is hand weighed prior to moulding it is important that **as little flour as possible is used when handling.**

If floury dough pieces are fed into the machine, a poor mould will result giving a bad seal on the dough piece.

A brief rest of the dough piece is desirable prior to moulding.

If a stock of scaled dough pieces can be built up by using trays, or a large table, and then fed to the moulder starting with the first piece scaled, a decided improvement will be seen in the moulding.

The action of the MONO Multi Moulder consists of sheeting out, curling, and final moulding of the dough piece under pressure.

Avoid allowing dough pieces to acquire a “skin” as these could be difficult to mould.

Attention to the setting of the moulder will be amply repaid in the superb results that this machine is capable of producing.

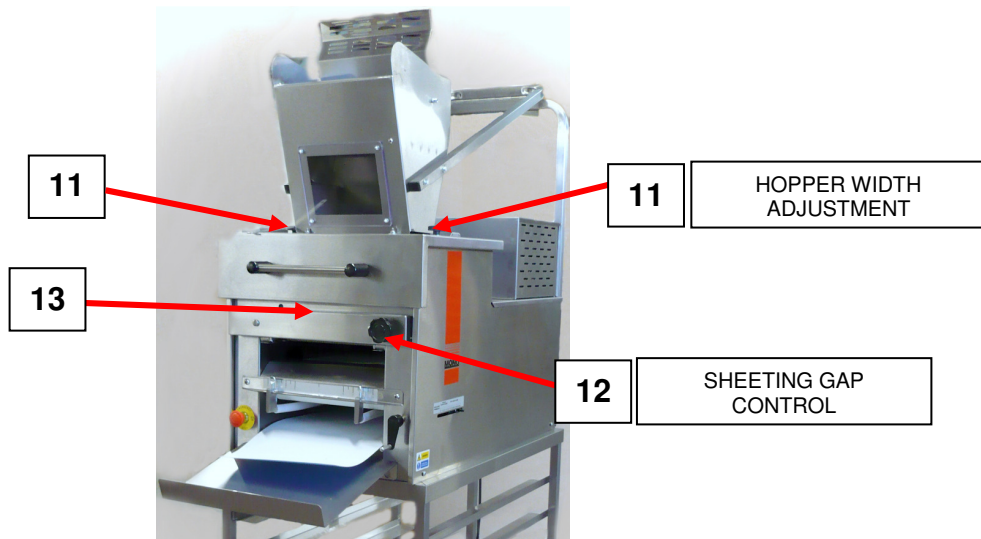


10.0 OPERATING INSTRUCTIONS

- A. Primary Adjustments
- B. Sheeting Gap
- C. Moulding pressure
- D. Starting

A. PRIMARY ADJUSTMENTS

1. Adjust the hopper width to the size of dough piece to be used by adjusting the hopper cheeks evenly around the machine's centre line, using wing bolts (11).



B. SHEETING GAP.

The sheeting roll gap can be set to the required width using the adjusting handle (12). The setting of the sheeting roll gap is shown on the indicator (13) across the front cover.



SHEETING ROLL GAP INDICATOR (13) ON FRONT OF MACHINE

Sheeting gap is too small-- this will result in **torn edges** to the dough pieces.

Sheeting gap is too large-- this will result in **poor curling** of the dough pieces.

SUGGESTED SHEETING ROLL SETTINGS	
FINISHED LOAF	ROLL GAP SETTING
400 grms	No.5
800 grms	No.6

C. MOULDING PRESSURE.

The moulding pressure applied to the dough pieces is adjusted by raising the pressure board (to increase pressure) or lowering it (to decrease pressure). This is done by adjusting the pressure board adjusting handle (10).

If the ends of the moulded piece are torn it indicates too great a pressure. Adjust accordingly by lowering the pressure board - turning the adjusting handle (10) anti-clockwise.

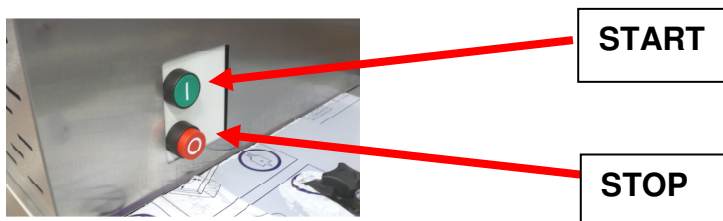
Insufficient pressure will result in a poor seal of the dough piece; rectify this by raising the pressure board by turning the adjusting handle (10) clockwise.



The pressure board dough guides (14) are adjusted by means of the guide clamps. The length of the dough piece required determines the width at which the dough guides are set. It should be noted that the dough guides and pressure board adjustments are relative to each other and should be adjusted accordingly.

D. STARTING

Ensure moulder is set up and adequate tins and trays are available before starting. Start moulder by pressing green button behind hopper on the motor cover.



If moulder does not start check:-

- 1 Check that the **power supply** is switched on.
- 2 Check that the **hopper door** is closed.
- 3 Check that all **safety interlocks** are properly engaged on the machine guards and covers.
- 4 Check that the **emergency stop** buttons are released.

If machine still does not run call Mono Service Department.

11.0 MAINTENANCE

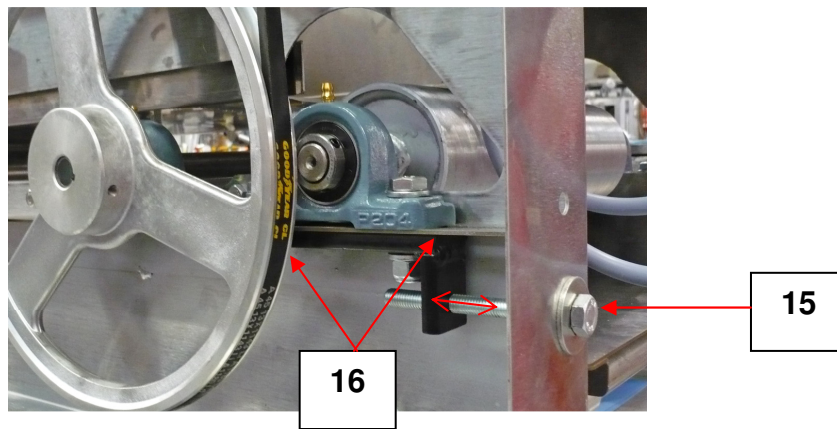
IMPORTANT



BEFORE REMOVING THE SIDE SHEETS OR MOTOR COVER, OR CARRYING OUT ANY CLEANING OR MAINTENANCE PROCEDURES, THE MACHINE MUST BE DISCONNECTED FROM THE MAINS SUPPLY.

MOULDING BELT ADJUSTMENT

- 1 The tension of the moulding belt rarely requires adjustment. Should the belt show signs of slipping, then the side sheets must be removed. After loosening the two bearing clamp bolts on each bearing (16), take up the slack by a small amount of equal adjustment of the belt tensioning bolts (15). Make sure the bearing bolts are tightened after adjustment.



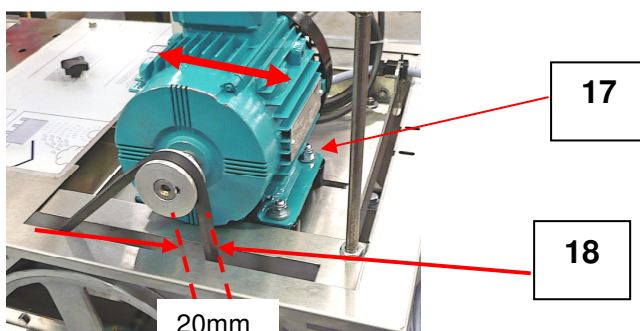
EVERY THREE MONTHS

- 1 Once every three months the side sheets must be removed and the inside of the machine thoroughly brushed clean. The chain drive can also be given a light greasing, if required.
The bearings fitted to the machine will not normally require lubricating as they are sealed.

DRIVE BELT ADJUSTMENT

- 2 The drive belt from the motor rarely requires adjustment. If this becomes necessary, then remove the motor cover and adjust the motor in the desired direction by slackening off the four bolts (17) which secure the motor to its mounting. Tighten the bolts when the correct tension (18) is achieved.

NOTE:- WHEN BELT TENSION (18) IS CORRECTLY ADJUSTED, THE MAXIMUM TOTAL MOVEMENT OF THE BELT AT THE CENTRE POINT OF ITS RUN SHOULD BE 20mm.



12.0 MOULDER WILL NOT START

If moulder does not start check:-

- 1 that the **power supply** is switched on.
- 2 that the **hopper door** is closed.
- 3 that all **safety interlocks** are properly engaged on the machine guards and covers.
- 4 that the **emergency stop** button is released. (Twist to release)

If machine still does not run call Mono Service Department.

13.0 SERVICE

If a fault arises, please do not hesitate to contact the Customer Service Department, quoting the **machine serial number** on the silver information plate of the machine and on the front cover of this manual

MONO

**Queensway
Swansea West Industrial Estate
Swansea.
SA5 4EB
UK**

**email: spares@monoequip.com
Spares Tel. +44(0)1792 564039**

Web site: www.monoequip.com

**Main Tel. 01792 561234
Fax. 01792 561016**

14.0 SPARES

GENERAL SPARES

PART NUMBER TO ORDER

RETURN FLAP 129K03P03700

MOULDING BELT A900-22-041

PRESSURE BOARD FELT A900-22-025

SWING PLATE HANDLE P700-07-011

SWING PLATE INDICATOR ASSEMBLY 007-04-02600

(MATCHED PAIR OF SCREWS AND NUTS)

12 TOOTH SPROCKET 129K08D01600

18 TOOTH SPROCKET 129K08D01500

CONVEYOR AND TRANSMISSION BEARING A900-06-023

SHEETING ROLLER BEARINGS A900-06-023

DRIVE CHAIN (SHEETING ROLL) 129K08P02000

DRIVE CHAIN A900-08-007

JOIN LINK A900-08-011

DRIVE CHAIN TENSIONER 007K08-D01100

DRIVE BELT A900-21-025

SHEETING ROLL SCRAPERS:-

FRONT 129K05D04200

REAR 129K05D04000

MOULDING FELT CLAMP 129K05D02500

MOULDING FELT HOOK 129K05D02600

OFFTAKE TRAY 169-02D04000

OFFTAKE TRAY SUPPORT PILLAR P700-09-012

SCRAPER SPRING	129-05-01700
SHEETING ROLLER	129K05D01000
SHEETING ROLL ADJUSTING HANDLE	P700-07-006
LIVE ROLL	129K03D02400
<u>CURLING CHAIN ASSEMBLY:-</u>	
CHAIN	129K06D00100
BRACKET	129K06D00400
DRIVE PULLEY	129K08D02200
DRIVEN PULLEY	129K08D02100
DRIVE ROLLER	129K03D01900
HOCKEY STICK LEFT HAND	124K03D02900
HOCKEY STICK RIGHT HAND	124K03D02901
HOCKEY STICK COVER	A900-18-014
HOCKEY STICK NUT	A900-04-048

HOCKEY STICK SPRING

A900-19-009

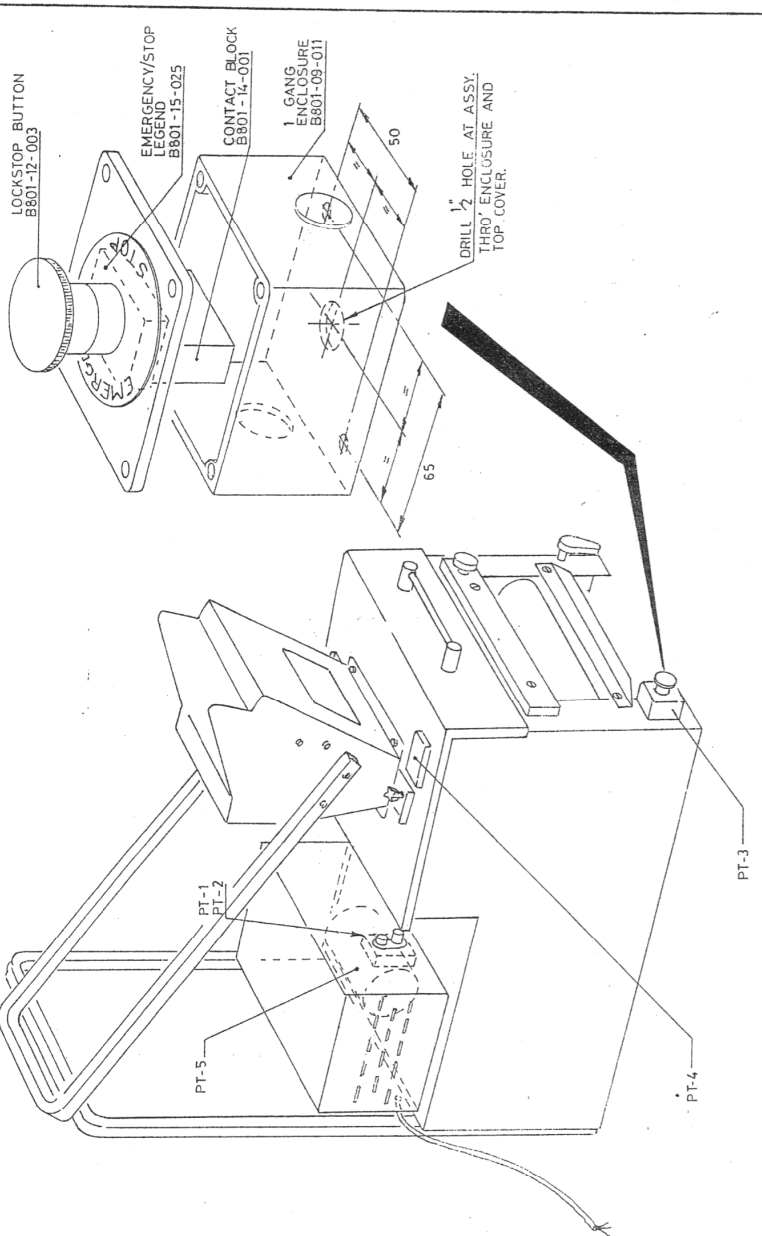
HOCKEY STICK WING NUT

P700-04-005

MOULDING BELT GUIDE

129K03D00600

15.0 ELECTRICS

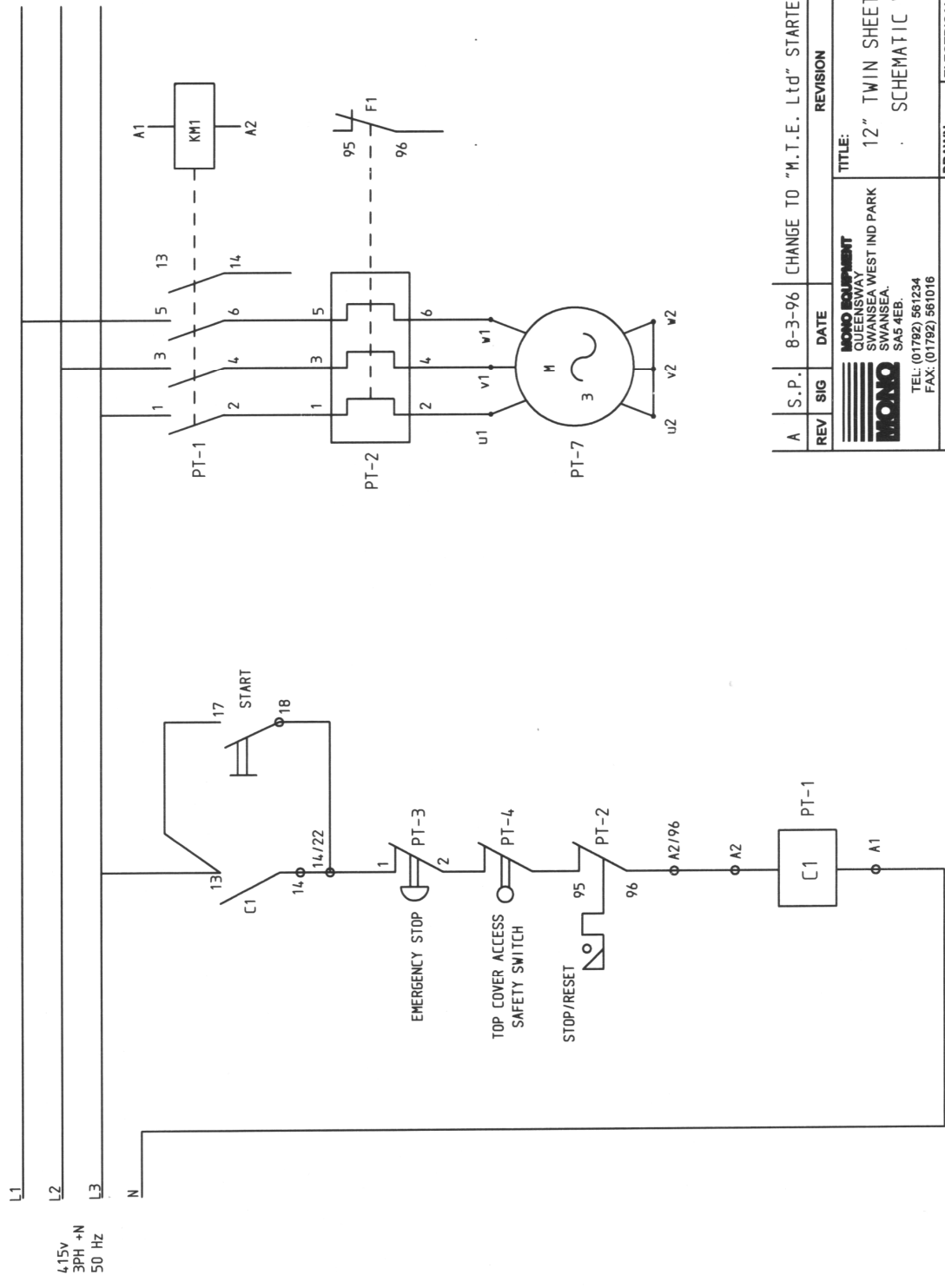


D	11/8/10	RAC	PT1 WAS B809-03-005, PT2 WAS B809-01-004	115/10
C	19-06-08	JC	PT1 WAS B809-03-004	09/108
B	30-7-07	RAC	STARTER & OVERLOAD MAG BROOKES	3021
A	8-3-96	S.P.	CHANGE TO M.T.E. Ltd STARTER CONTROL GEAR	6097
ISS	DATE	Sig.	REVISION	ECN No.
REMOVE ALL BURRS & SHARP EDGES - ON SHEET METAL PARTS. EXTERNAL CORNERS TO BE SAFETY RADIUSED 2mm UNLESS STATED OTHERWISE				
MACHINING: ▽ COURSE FINISH (N8) ▽▽ MEDIUM FINISH (N7) ▽▽▽ FINE FINISH (N7) G. GROUND FINISH (N6)				
OPEN TOL.S DECIMAL DIMNS: UP TO 75.0 ± 0.25, 76.0 TO 300 ± 0.4, 301.0 TO 600 ± 0.5, OVER 601.0 ± 1.0 PLAIN DIMNS: UP TO 150 ± 0.5, OVER 150 ± 1.0				
Title: 12" TWIN SHEETING ROLL MOULDER				
PART NUMBERS DIAGRAM.				
No. Req'd	—			Drawn: S. P. K./I. ps.
Material:	—			Date: 8-8-94
Finish:	—			Scale: —
Drawing No. M169 25-30400				Change D



ITEM	PART No.	DESCRIPTION
1	B350-03-001	STARTER OVERLOAD
2	B250-01-002	REMOTE 1 GANG PUSH BUTTON STATION
3a	B801-09-011	REMOTE STOP BUTTON
3b	B801-12-003	REMOTE STOP BUTTON CONTACT BLOCK
3c	B801-14-001	EMERGENCY STOP LEGEND
3d	B801-15-025	EMERGENCY STOP LEGEND
4	B818-07-008	TOP ACCESS COVER SAFETY SWITCH
5	B809-74-029	MAIN MOTOR

IF IN ANY DOUBT - ASK

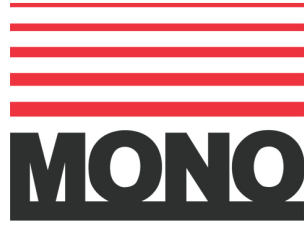


415v
3PH +N
50 Hz

COPYRIGHT © 1998 - THIS DESIGN/DRAWING IS THE PROPERTY OF MONO EQUIPMENT LTD. AND MUST NOT BE REPRODUCED, COPIED, NOR ITS CONTENTS DIVULGED WITHOUT PRIOR WRITTEN PERMISSION.

REV	SIG	DATE	REVISION	ECN NO.
A	S.P.	8-3-96	CHANGE TO "M.T.E. Ltd" STARTER CONTROL GEAR.	6097

MONO EQUIPMENT QUEENSWAY SWANSEA WEST IND PARK SWANSEA, SA5 4EB. TEL: (01792) 561234 FAX: (01792) 561016	TITLE: 12" TWIN SHEETING ROLL MOULDER SCHEMATIC WIRING DIAGRAM
ELECTRICAL SPECIFICATIONS:- 415V 3PH N 50HZ	DRAWN: S.P.
DATE: 5-8-94	DRAWING NO. M169-25-30000
ELECTRICALLY APPROVED BY:-	REV: A



MONO Equipment
Queensway,
Swansea West Industrial Park,
Swansea,
SA5 4EB
UK

Tel. +44(0)1792 561234
Fax. 01792 561016

Spares Tel. +44(0)1792 564039

Email:mono@monoequip.com

www.monoequip.com

As it is our policy to improve our machines continuously, we reserve the right to change specifications without prior notice.

□ **DISPOSAL**

CARE SHOULD BE TAKEN WHEN THE MACHINE COMES TO THE END OF ITS WORKING LIFE. ALL PARTS SHOULD BE DISPOSED OF IN THE APPROPRIATE PLACE, EITHER BY RECYCLING OR OTHER MEANS OF DISPOSAL THAT COMPLIES WITH LOCAL REGULATIONS. (IN UK, ENVIRONMENTAL PROTECTION ACT 1990 APPLIES)